



US00D437711S

(12) **United States Design Patent**
Berg

(10) **Patent No.:** **US D437,711 S**

(45) **Date of Patent:** **** Feb. 20, 2001**

(54) **HAIR ACCESSORY AND JEWELRY ORGANIZER**

(76) Inventor: **Cindy Berg**, 3497 St. Charles Pl., Eagan, MN (US) 55122

(**) Term: **14 Years**

(21) Appl. No.: **29/127,801**

(22) Filed: **Aug. 11, 2000**

(51) **LOC (7) Cl.** **06-04**

(52) **U.S. Cl.** **D6/436; D3/901; D28/73**

(58) **Field of Search** **D28/73-75, 77; D3/18, 20, 23, 25, 26, 205, 274, 297, 901, 903; D6/329, 396, 397, 400, 411, 413, 414, 436, 449, 466, 476, 512, 524-532; D19/75, 77, 78, 92, 95; D7/505, 553.4, 555, 638, 701; 132/286, 287, 289, 314; 206/581, 823, 278, 279, 564-566; 211/13.1, 85.2, 85.3; 220/23.83, 23.86; 312/234, 237, 290, 293.1, 293.3, 308, 309, 317.1, 317.2**

(56) **References Cited**

U.S. PATENT DOCUMENTS

- D. 183,379 * 8/1958 Alley D28/77
- D. 302,482 7/1989 Zall .
- D. 317,461 * 6/1991 Willie D19/75
- D. 347,939 6/1994 Volkman .
- D. 363,185 10/1995 Thompson .
- D. 364,296 11/1995 Eldridge .
- D. 371,234 * 7/1996 Hyche D3/26
- D. 387,497 * 12/1997 Guiliano D28/73
- D. 392,120 * 3/1998 DaSilva D6/412
- D. 393,104 * 3/1998 Wolff D28/77

- D. 394,762 * 6/1998 Greiner D6/436
- D. 394,918 6/1998 Gillmore et al. .
- D. 410,767 6/1999 Carroll .
- 1,602,957 * 10/1926 Weigel 132/314
- 2,254,646 * 9/1941 Eaton 211/85.3
- 2,530,220 * 11/1950 Belcher 312/301
- 5,303,855 4/1994 Veale .
- 5,358,100 10/1994 Wolff .
- 5,634,560 6/1997 Phillips .
- 5,917,694 6/1999 Denny .

OTHER PUBLICATIONS

Hong Kong Enterprise Nov. 1985, p. 206: item No. M/53-17.*

* cited by examiner

Primary Examiner—Ted Shooman

Assistant Examiner—C Tuttle

(74) *Attorney, Agent, or Firm*—John D. Gugliotta

(57) **CLAIM**

The ornamental design for a hair accessory and jewelry organizer, as shown and described.

DESCRIPTION

FIG. 1 is an exploded perspective view of a hair accessory and jewelry organizer showing my new design with a drawer opened;

FIG. 2 is a front elevational view thereof;

FIG. 3 is a back elevational view thereof;

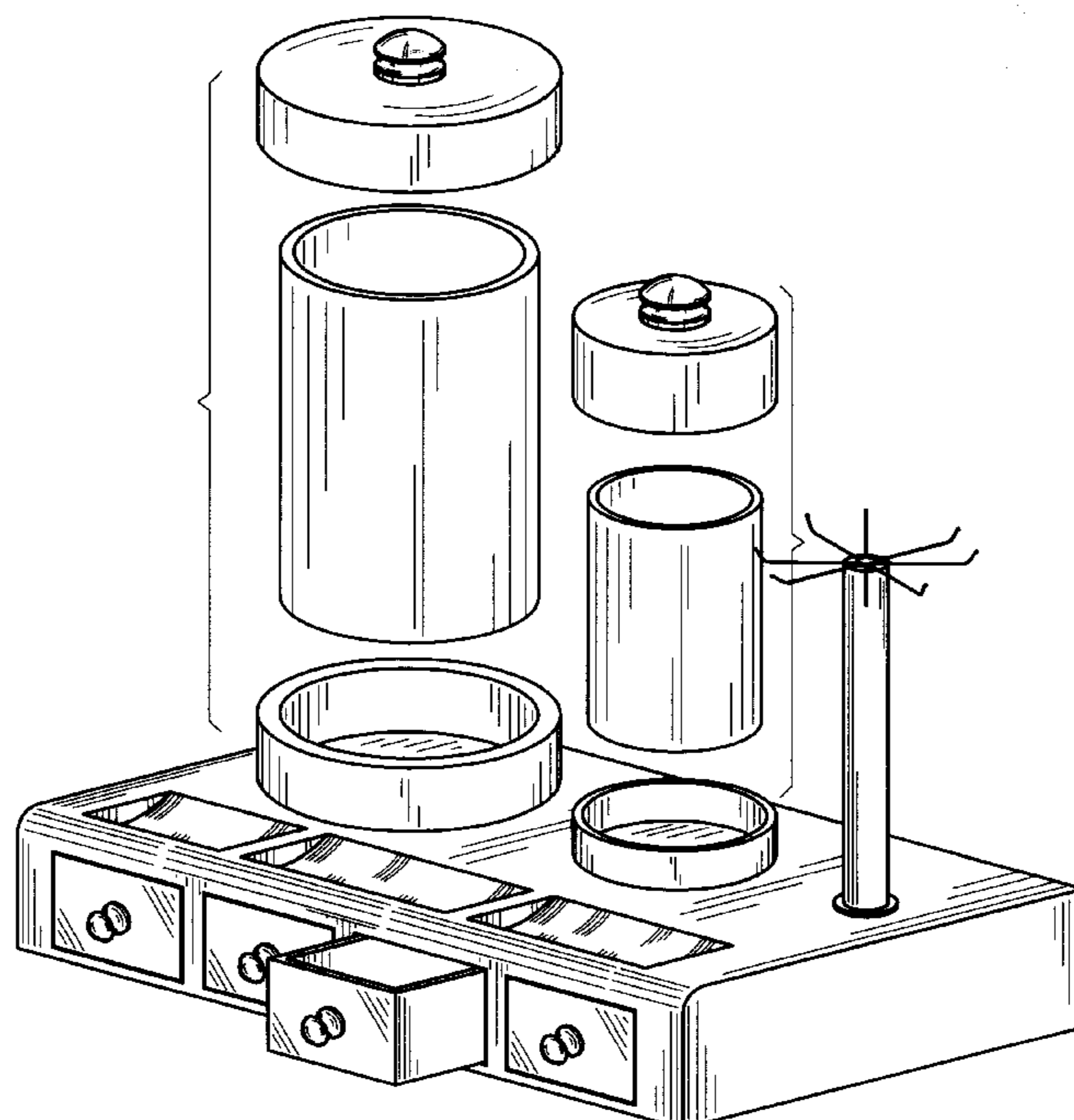
FIG. 4 is a left side elevational view shown with the drawer closed;

FIG. 5 is a right side elevational view thereof;

FIG. 6 is a top plan view thereof; and,

FIG. 7 is a bottom plan view thereof.

1 Claim, 4 Drawing Sheets



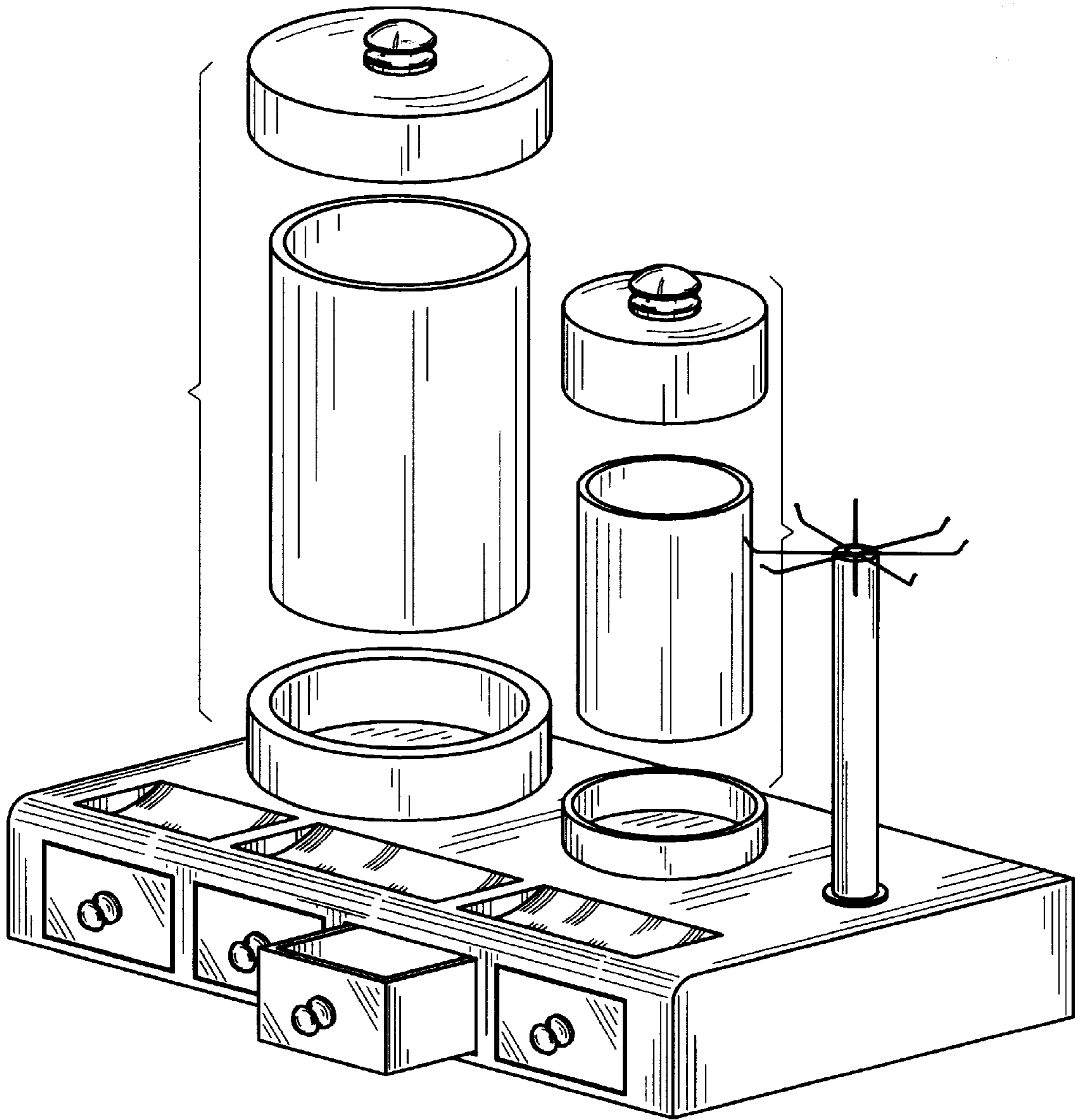


Figure 1

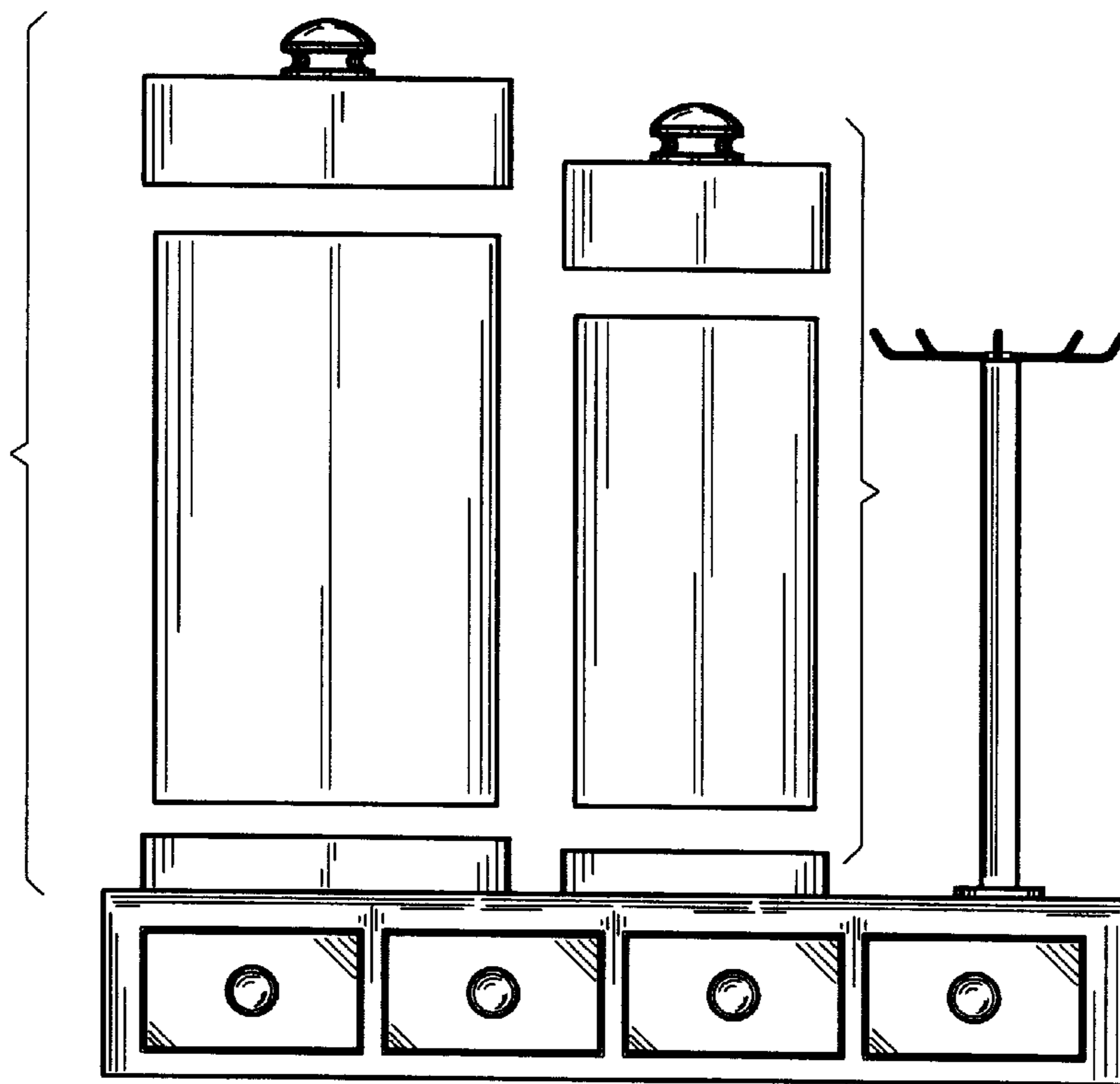


Figure 2

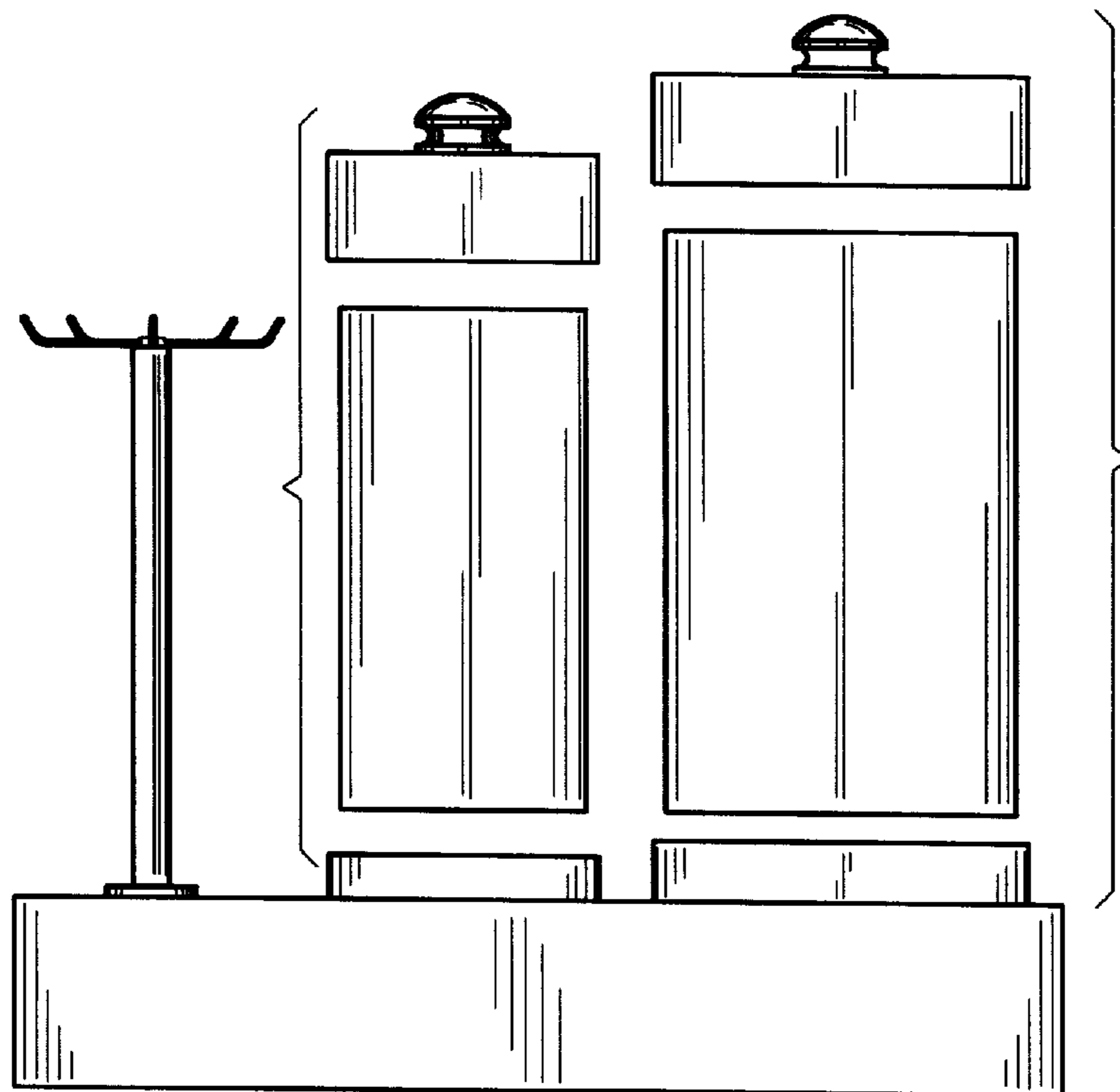


Figure 3

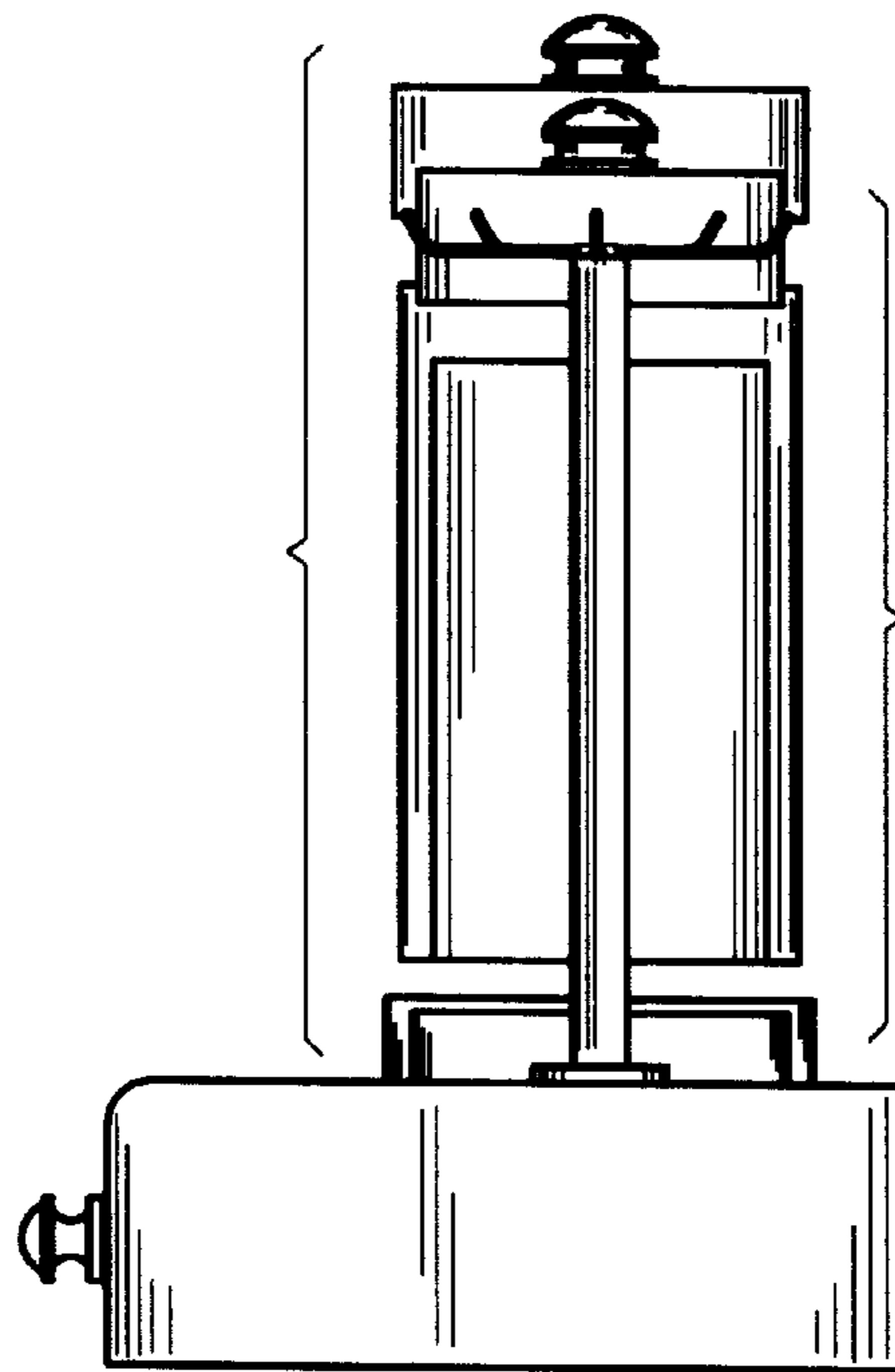


Figure 4

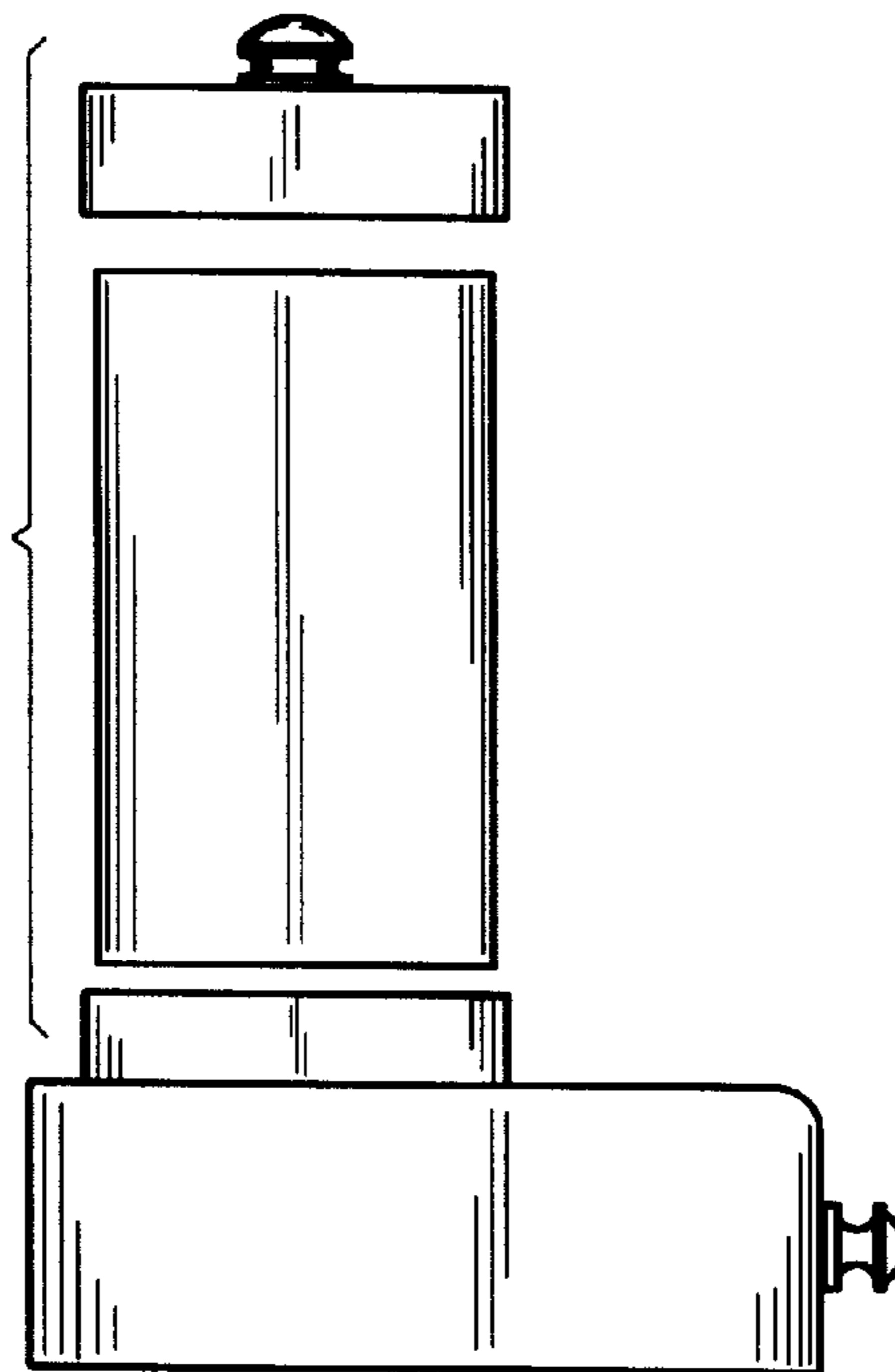


Figure 5

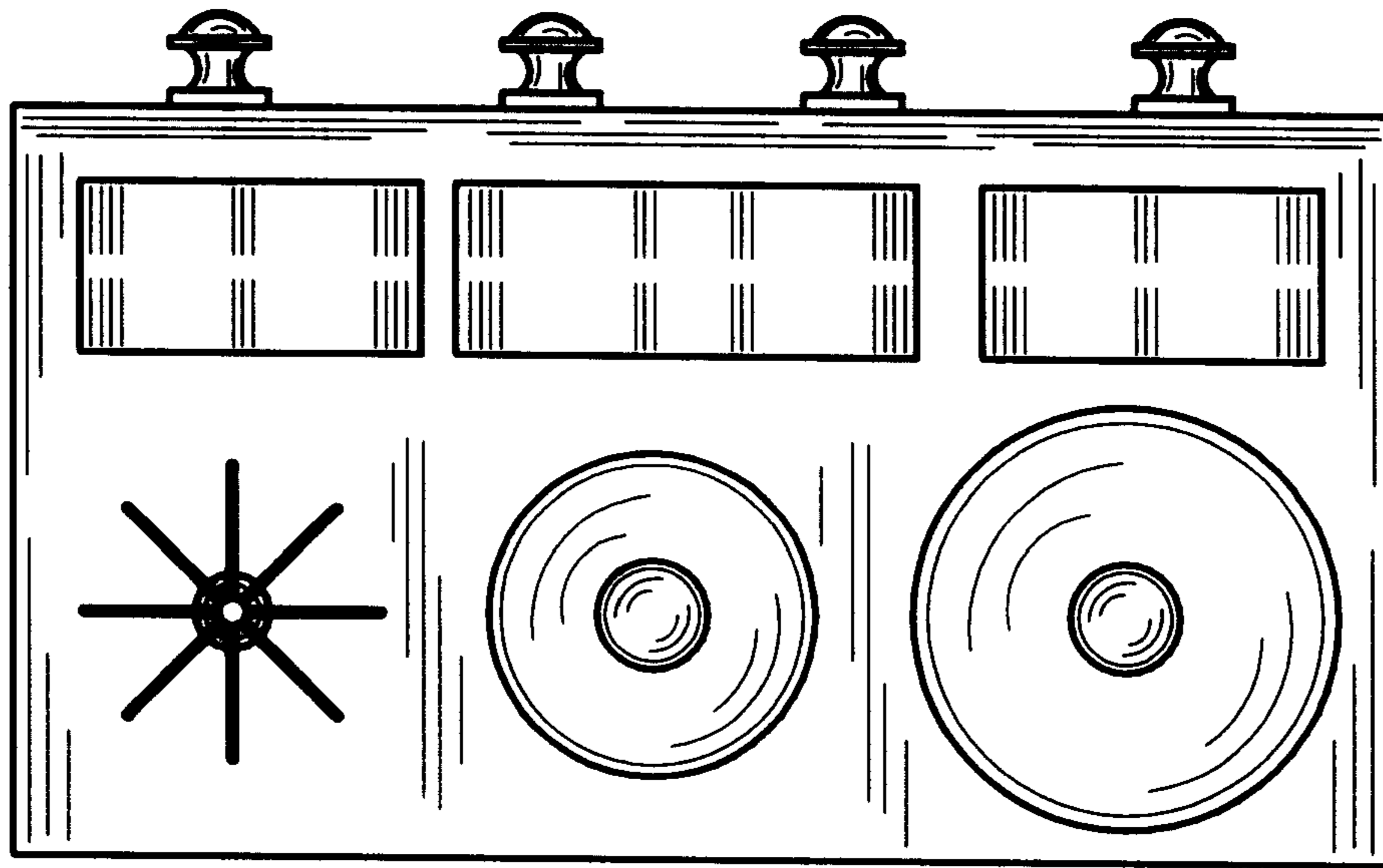


Figure 6

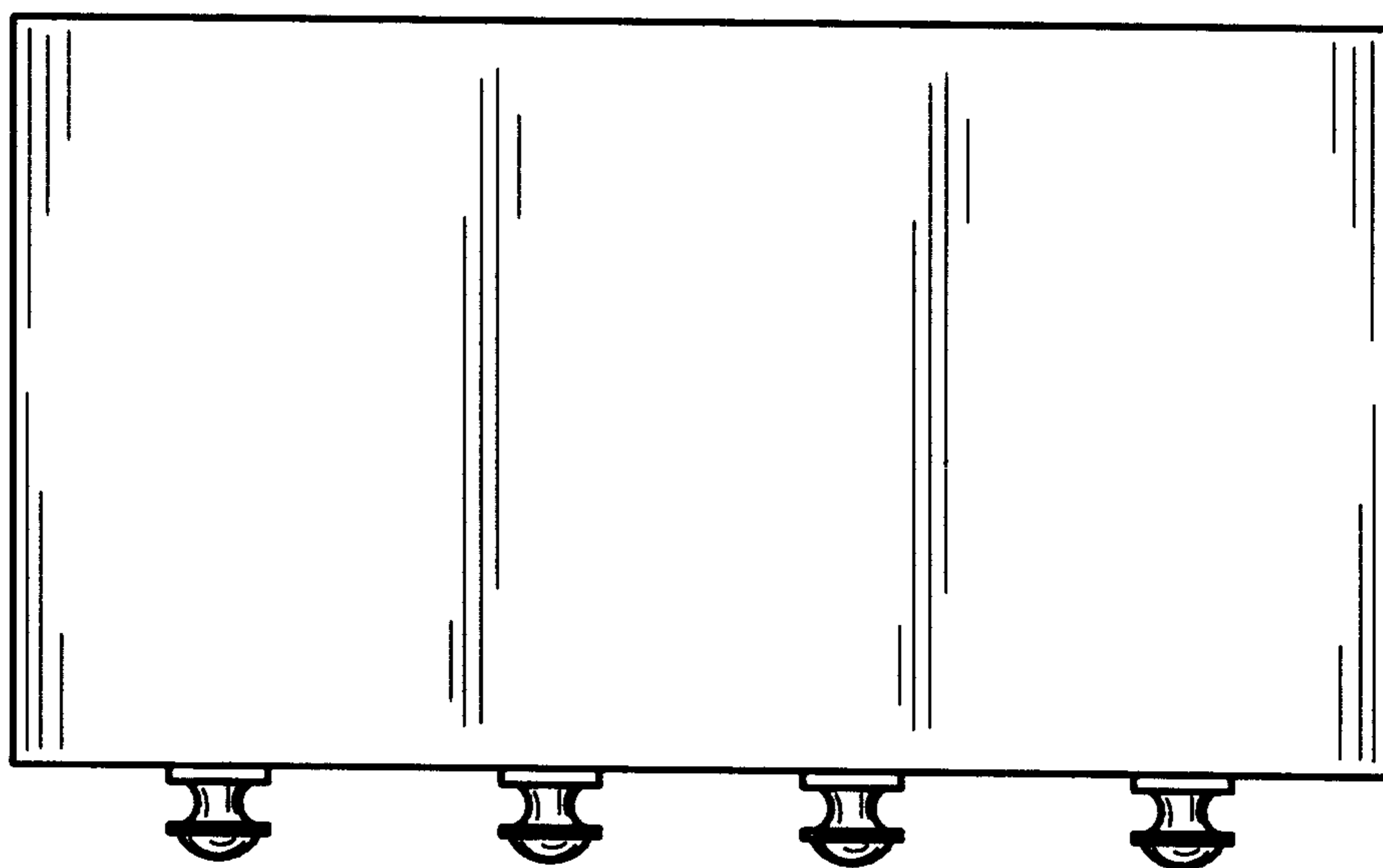


Figure 7