



US00D437709S

(12) **United States Design Patent**
Edström

(10) **Patent No.:** **US D437,709 S**

(45) **Date of Patent:** **** Feb. 20, 2001**

(54) **PAD-TABLE**

(76) **Inventor:** **Thomas Edström**, Burspråksvägen 6,
SE-121 47 Johanneshov (SE)

(**) **Term:** **14 Years**

(21) **Appl. No.:** **29/111,237**

(22) **Filed:** **Sep. 22, 1999**

(30) **Foreign Application Priority Data**

Mar. 23, 1999 (SE) 990550

(51) **LOC (7) Cl.** **06-06**

(52) **U.S. Cl.** **D6/406.4; D6/406.6**

(58) **Field of Search** D6/406.3, 406.4,
D6/406.5, 406.6, 420, 511; 108/161, 43;
297/148, 153; D7/554.3; D12/133, 415;
D19/52, 91, 26; 439/88; D14/389, 345,
100

(56) **References Cited**

U.S. PATENT DOCUMENTS

- D. 278,918 * 5/1985 Morcheles D19/52
- D. 315,456 * 3/1991 Couch et al. D6/406.4
- D. 318,960 * 8/1991 Lilly et al. D6/406.6
- D. 328,985 * 9/1992 Sheldon D6/406.4
- D. 352,065 * 11/1994 Kobzeff D19/52
- D. 359,398 * 6/1995 Jaykus D12/415
- D. 383,918 * 9/1997 Prince D6/406.3
- D. 390,718 * 2/1998 Howland et al. D6/406.6

- D. 391,987 * 3/1998 Jambhekar et al. D19/26
- D. 404,219 * 1/1999 Patterson D6/406.6
- D. 425,724 * 5/2000 Hasz D6/406.6
- D. 426,409 * 6/2000 Clark et al. D6/511
- 3,484,952 * 12/1969 Coldren 434/88

* cited by examiner

Primary Examiner—M. N. Pandozzi

(74) *Attorney, Agent, or Firm*—Ostrolenk, Faber, Gerb & Soffen, LLP

(57) **CLAIM**

The ornamental design for a pad-table, as shown and described.

DESCRIPTION

FIG. 1 is a front perspective view of a pad-table showing my new design;
 FIG. 2 is a front perspective view thereof in an alternate position;
 FIG. 3 is a front left side perspective view thereof in a third alternate position;
 FIG. 4 is a front right side perspective view thereof;
 FIG. 5 is a right side elevational view thereof;
 FIG. 6 is a left side elevational view thereof;
 FIG. 7 is a front view thereof;
 FIG. 8 is a top view thereof;
 FIG. 9 is a rear view thereof; and,
 FIG. 10 is a bottom view thereof.

1 Claim, 3 Drawing Sheets

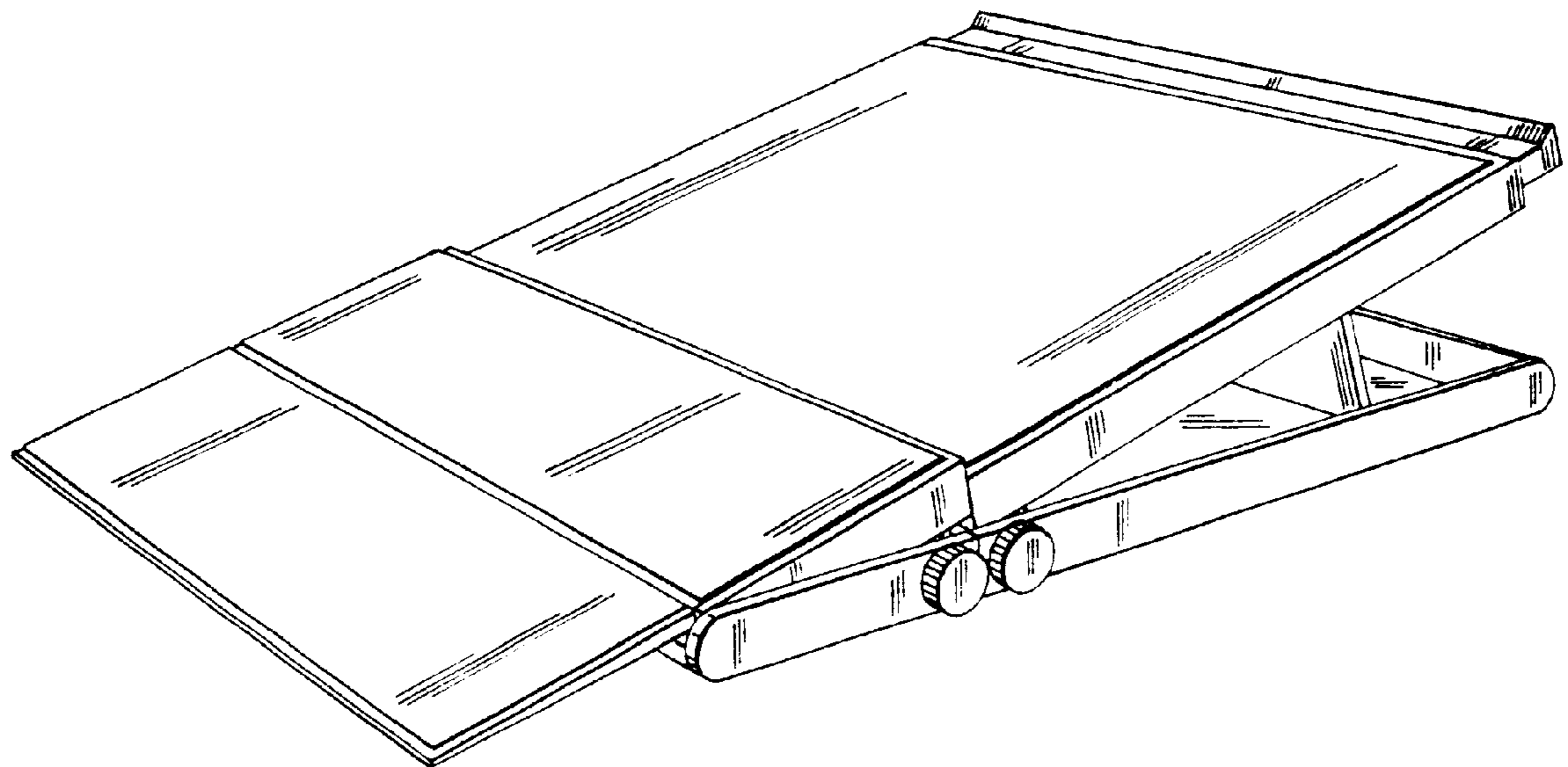


FIG. 1

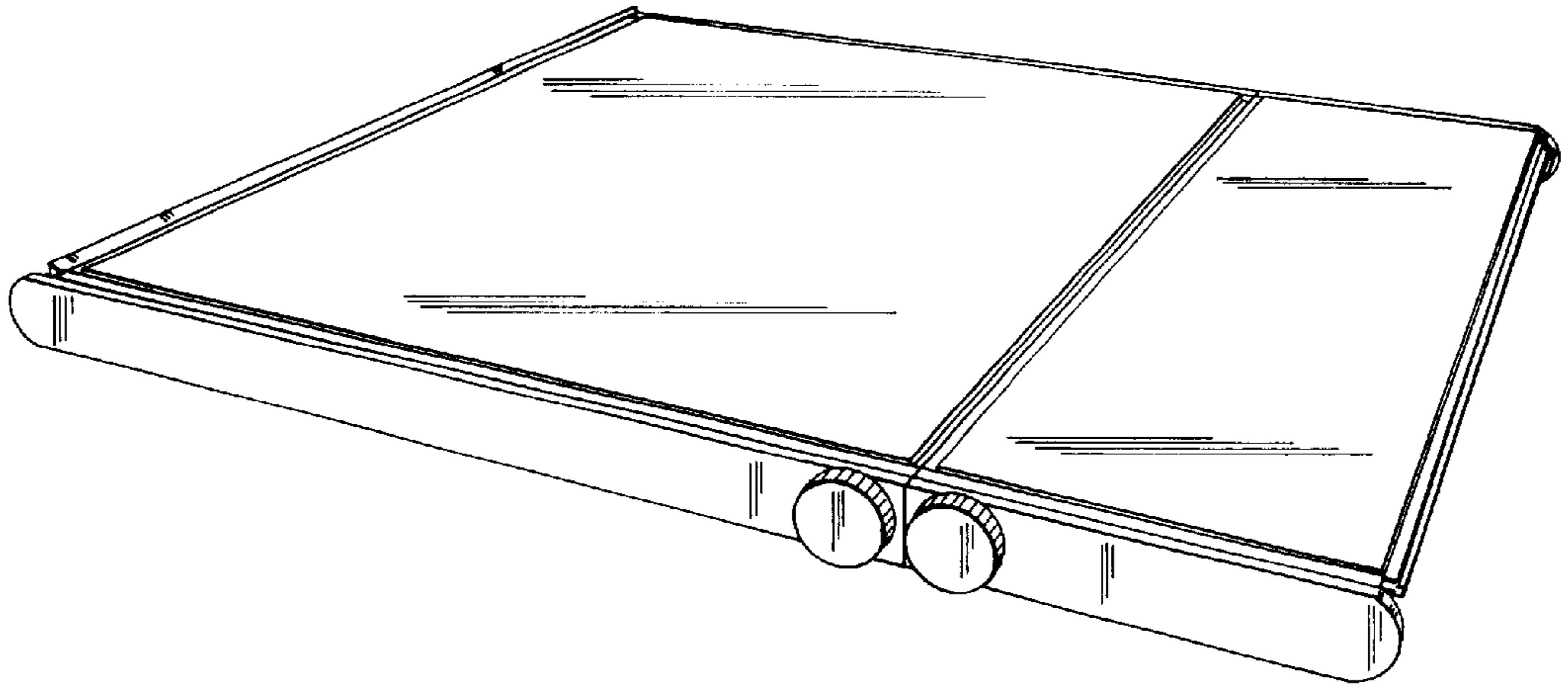


FIG. 2

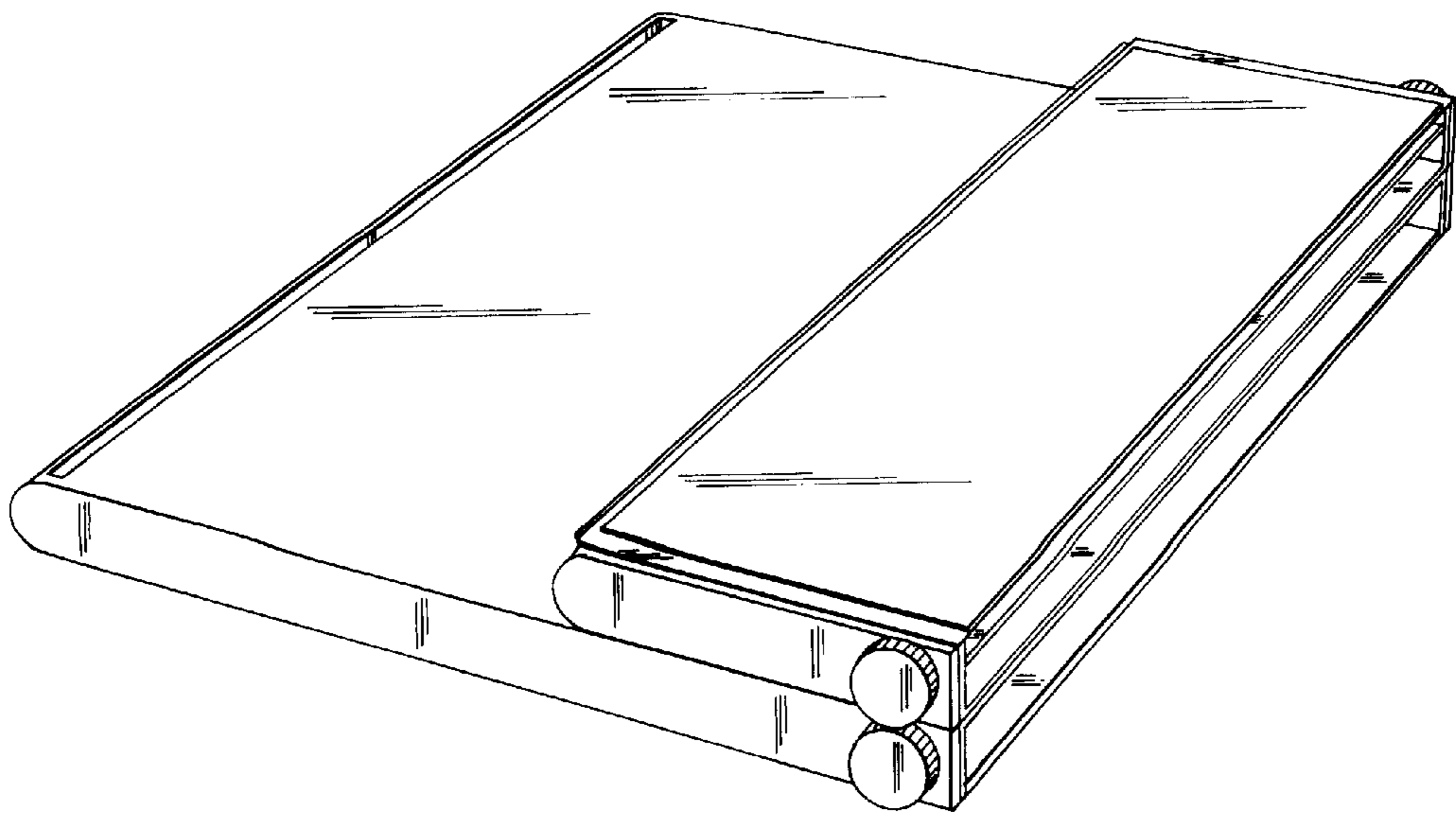


FIG. 3

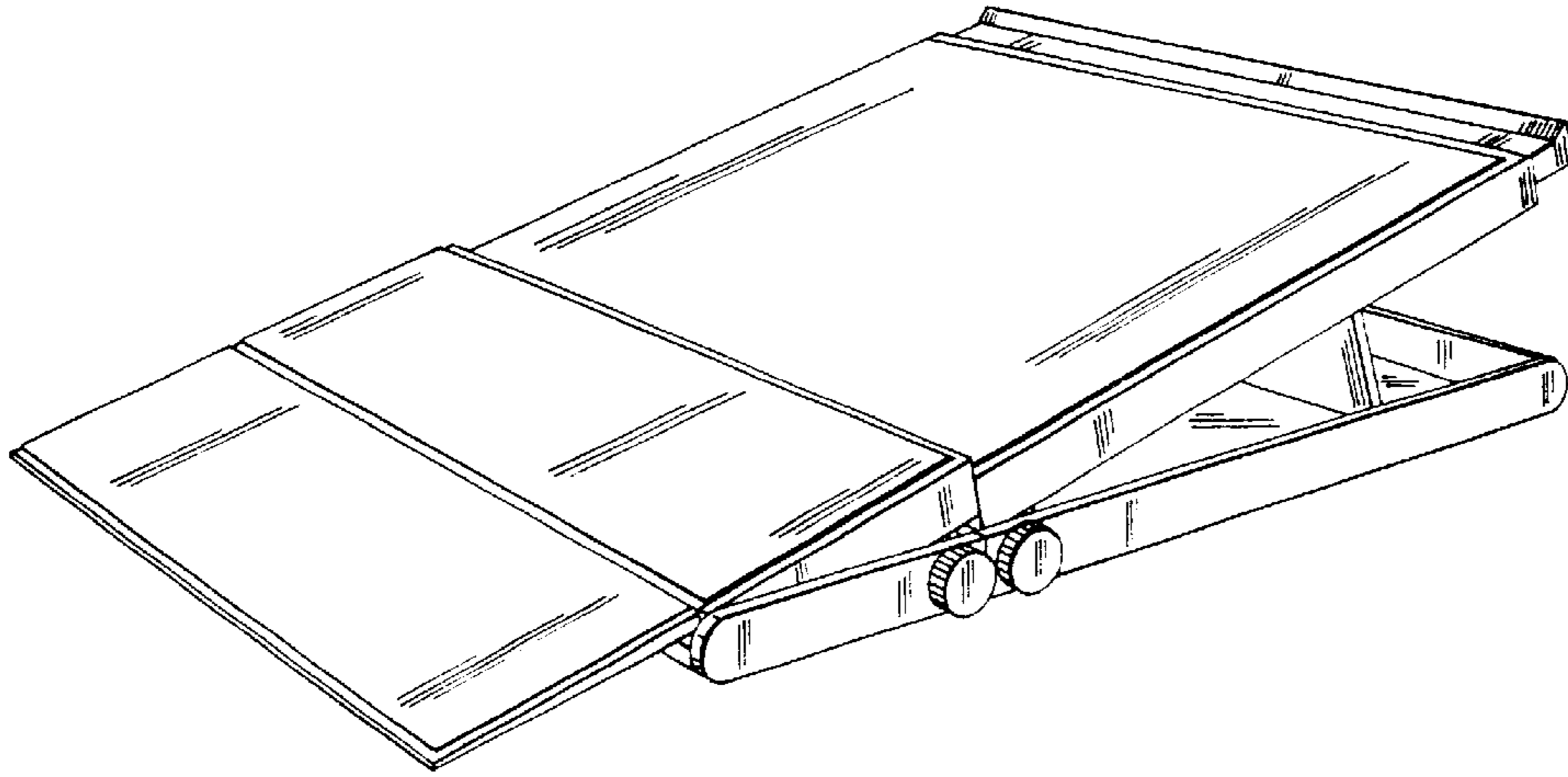


FIG. 4

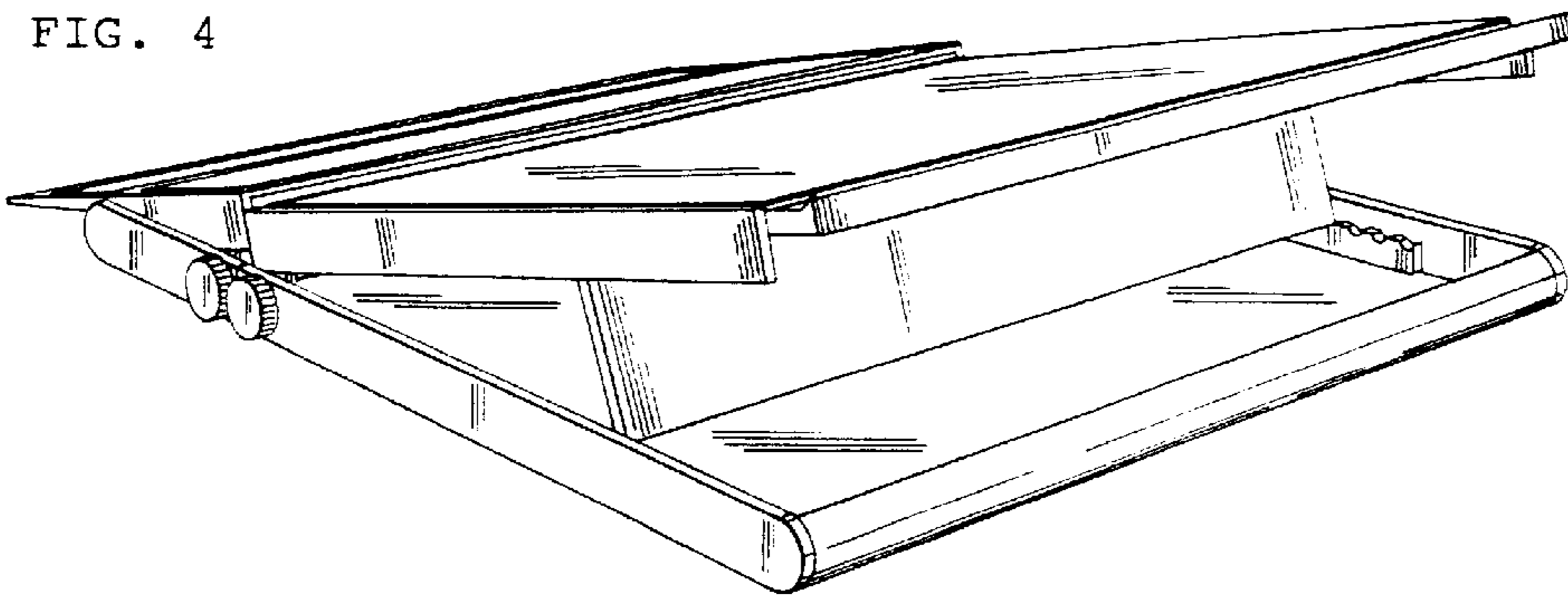


FIG. 5

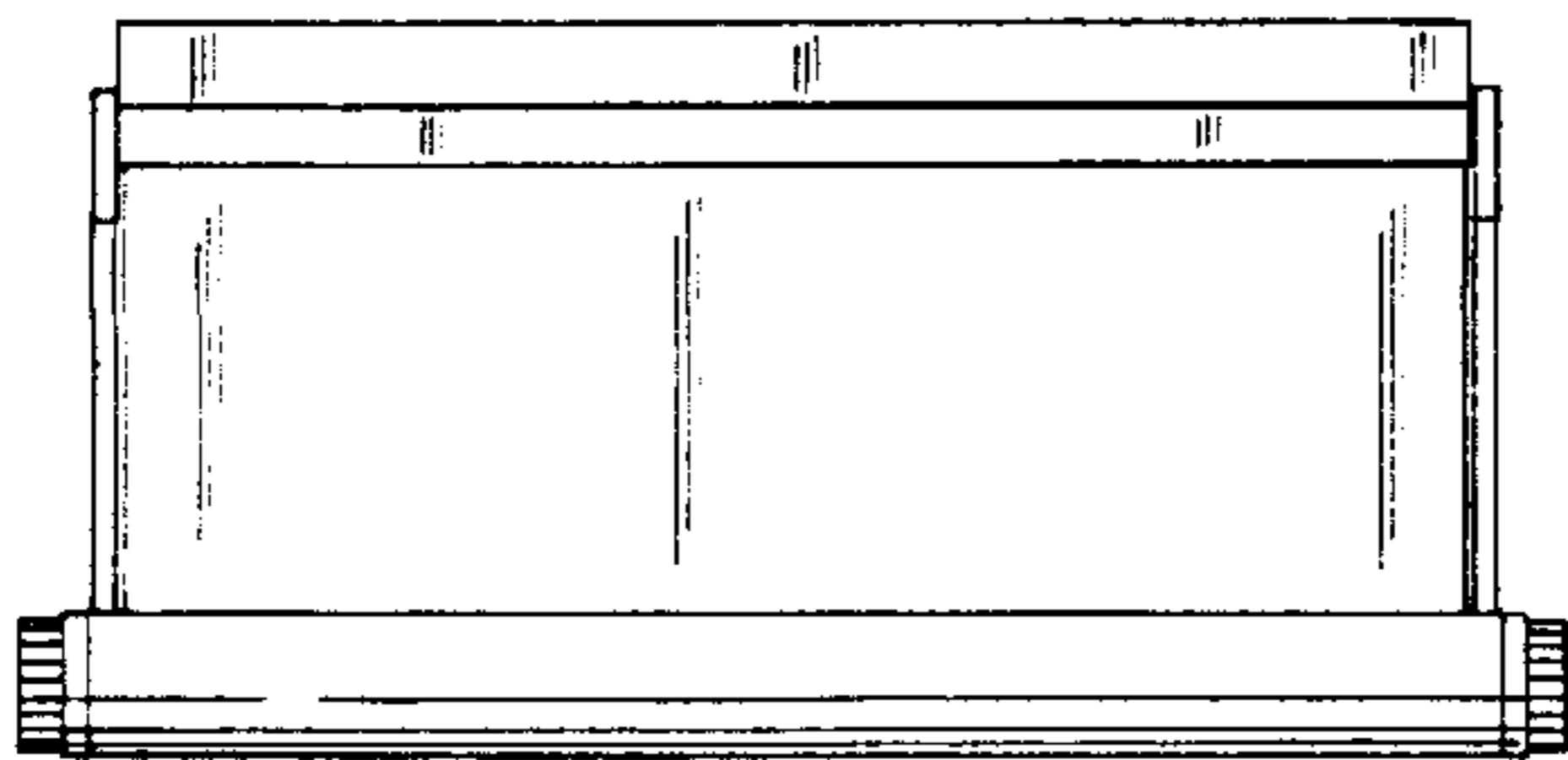


FIG. 6

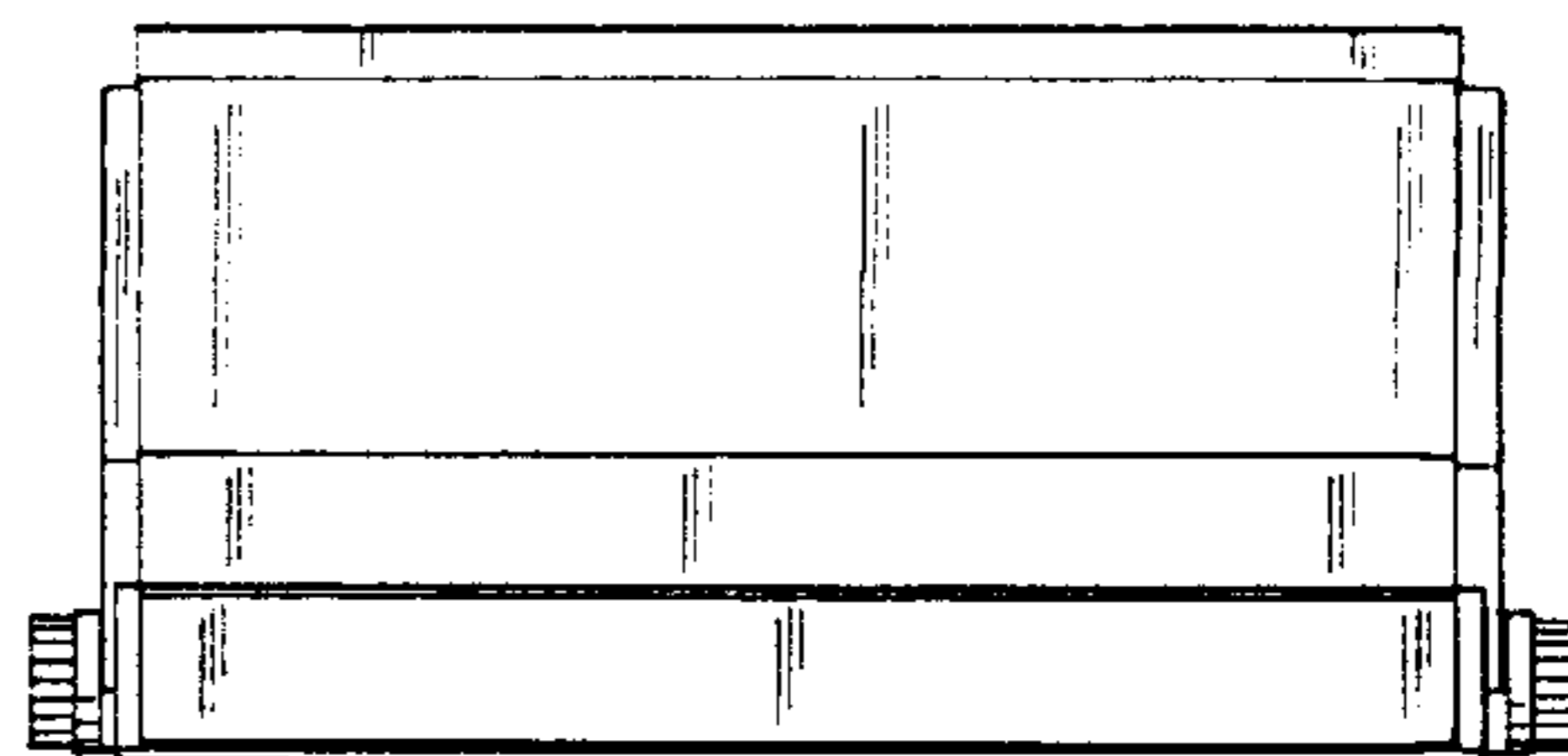


FIG. 7

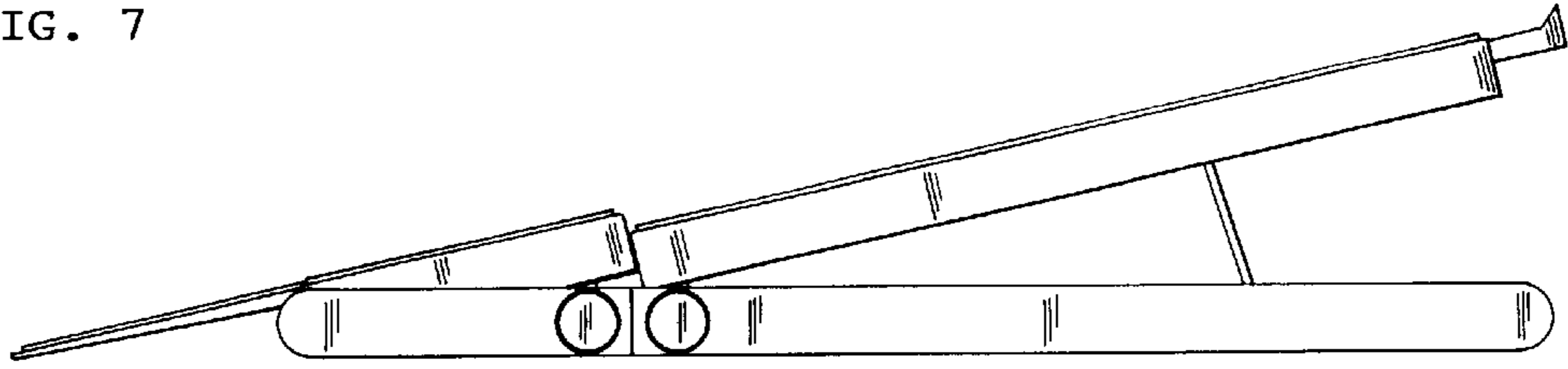


FIG. 8

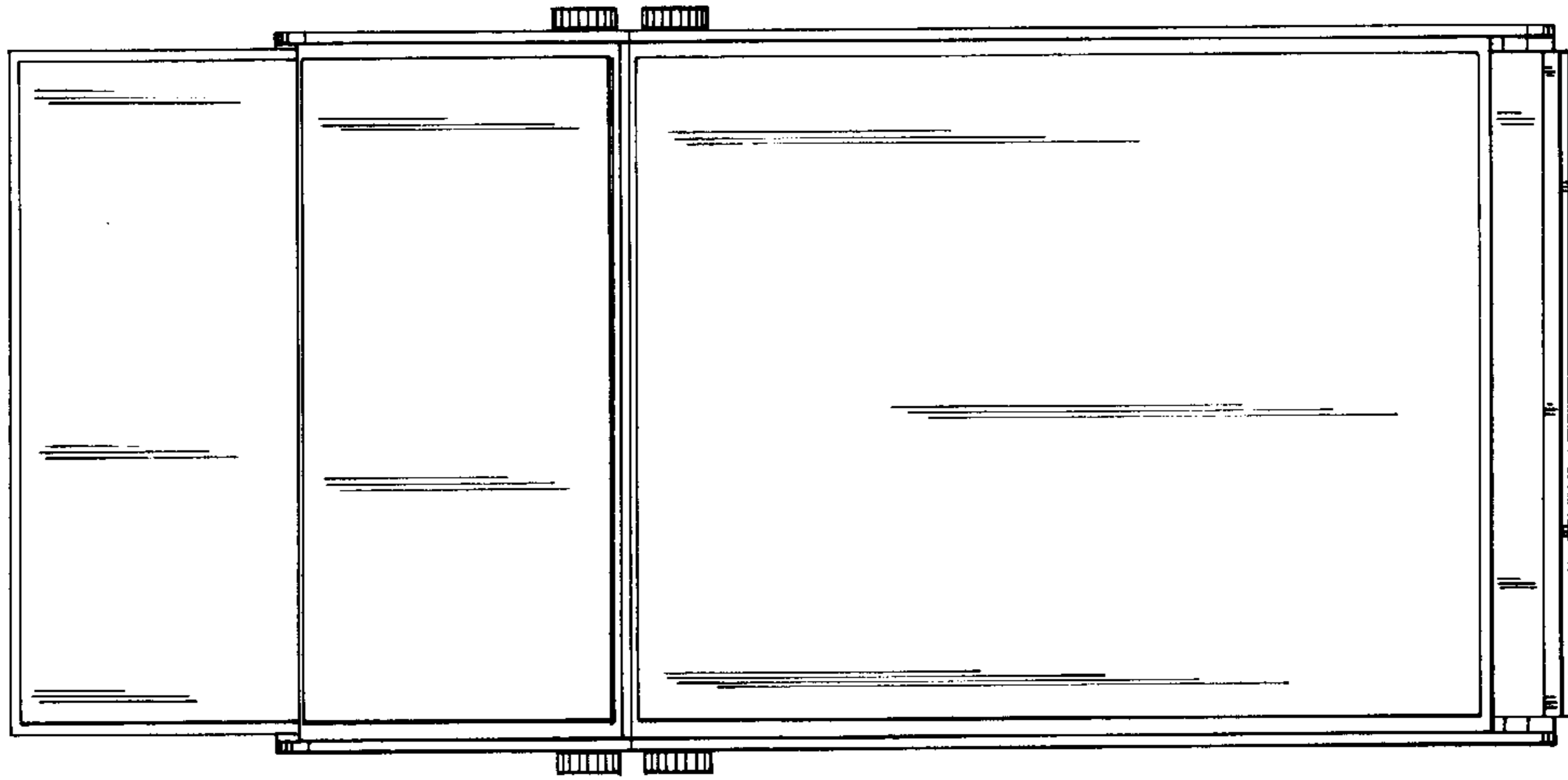


FIG. 9

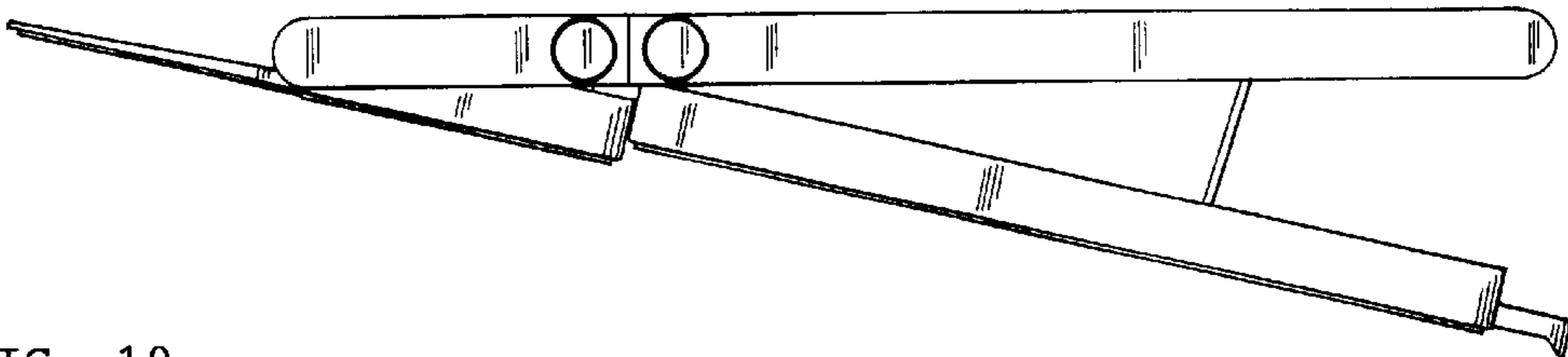


FIG. 10

