



US00D437708S

(12) **United States Design Patent**
Bargmann et al.

(10) **Patent No.: US D437,708 S**

(45) **Date of Patent: ** Feb. 20, 2001**

(54) **FURNITURE UNIT**

(75) Inventors: **Jay D. Bargmann**, Pelham, NY (US);
Hubert L. Ostertag, Holland, MI (US);
David R. Appel, Ada, MI (US);
George J. Simons, Jr., Grand Rapids,
MI (US); **Mark A. Buchalter**;
Yasuyuki Hirai, both of East Grand
Rapids, MI (US); **Howard M.**
Montgomery, Grand Rapids, MI (US)

(73) Assignee: **Steelcase Development Inc.**, Grand
Rapids, MI (US)

(**) Term: **14 Years**

(21) Appl. No.: **29/113,213**

(22) Filed: **Nov. 1, 1999**

(51) **LOC (7) Cl. 06-03**

(52) **U.S. Cl. D6/399; D6/397; D6/477;
D6/478**

(58) **Field of Search** D6/329, 474, 396,
D6/477, 397, 479, 399, 429, 431, 449,
483, 484, 487; 108/23, 50.02, 92, 101,
108, 180, 186

(56) **References Cited**

U.S. PATENT DOCUMENTS

- D. 119,647 * 3/1940 Vaughn D6/399
- D. 215,162 * 9/1969 Robichaud D6/399
- D. 243,906 * 4/1977 Ware D6/477 X

(List continued on next page.)

OTHER PUBLICATIONS

Exhibit B discloses a prior art product brochure entitled *Alpha system 2000*, published by Kewaunee Scientific Corporation, Lockhart, Texas, publication date unknown.

Exhibit C discloses a prior art product brochure entitled *Sturdilite*, published by Kewaunee Scientific Corporation, Lockhart, Texas, publication date unknown (2 pages).

Exhibit D discloses a prior art product brochure entitled *And MAX/LAB is the state-of-the-art furniture system for technical environments*, published by Fisher Hamilton Scientific, Inc., publication date unknown (24 pages).

Exhibit E discloses a prior art product brochure entitled *Ultralab*, published by Laboratory Furniture Systems, Norlab, publication date unknown.

Exhibit G discloses a photograph of a prior art installation showing a lab arrangement called "E LAB", manufactured by Case Systems, publication date unknown.

Exhibit H discloses a prior art photograph entitled *The heavy duty Igar System*, published by IGAR Systems Company, publication date unknown.

(List continued on next page.)

Primary Examiner—Catherine Tuttle

(74) *Attorney, Agent, or Firm*—Price Heneveld Cooper DeWitt & Litton

(57) **CLAIM**

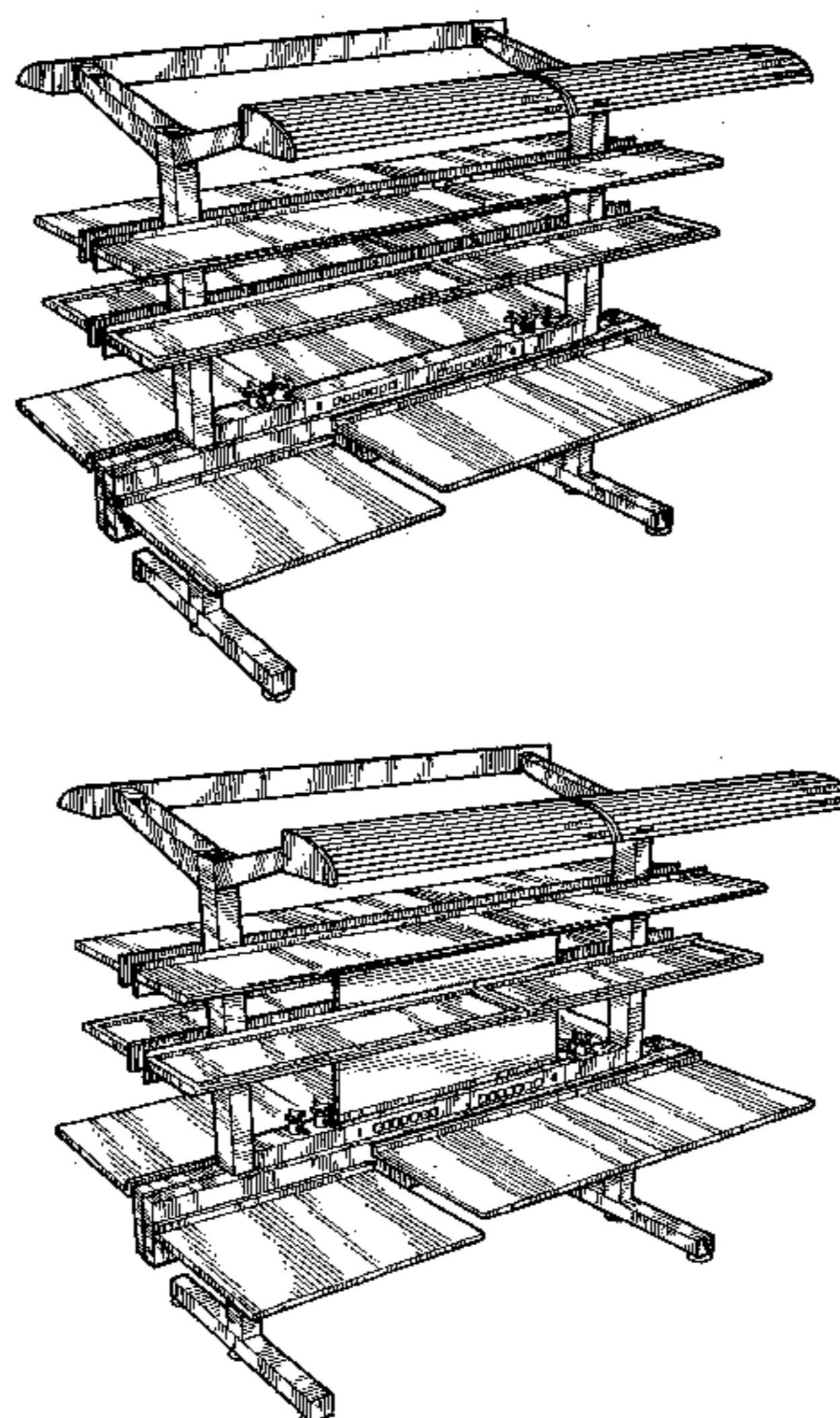
We claim the ornamental design for a furniture unit, as shown and described.

DESCRIPTION

FIG. 1 is a perspective view of our furniture unit design; FIG. 2 is a left end view thereof, the right end being a mirror image of the left end view; FIG. 3 is a front view thereof; FIG. 4 is a top view thereof; FIG. 5 is a rear view thereof; FIG. 6 is a perspective view similar to FIG. 1 but showing all worksurfaces in raised position; FIG. 7 is a left end view of FIG. 6; FIG. 8 is a perspective view of a second modified embodiment of our design; and, FIG. 9 is an end view thereof.

The surface(s) or portion(s) of the article not shown in the drawing or described in the specification form(s) no part of the claimed design.

1 Claim, 6 Drawing Sheets



U.S. PATENT DOCUMENTS

D. 252,820	9/1979	Olson .		4,831,791	5/1989	Ball .	
D. 266,468	* 10/1982	Ylanko	D6/429	4,863,223	9/1989	Weissenbach et al. .	
D. 268,312	* 3/1983	Rompotti	D6/399	4,914,873	4/1990	Newhouse .	
D. 279,740	7/1985	Slager .		4,919,282	4/1990	Duff et al. .	
D. 284,532	7/1986	Vogt .		4,920,458	4/1990	Jones .	
D. 306,101	2/1990	Borsani .		5,152,698	10/1992	Juhlin et al. .	
D. 318,966	8/1991	Schroff et al. .		5,209,035	5/1993	Hodges et al. .	
D. 339,936	10/1993	Gunten et al. .		5,282,341	2/1994	Baloga et al. .	
D. 340,157	10/1993	Von Gunten et al. .		5,362,923	11/1994	Newhouse et al. .	
D. 359,182	6/1995	Von Gunten et al. .		5,394,658	3/1995	Schreiner et al. .	
D. 363,701	10/1995	Paquette et al. .		5,433,327	7/1995	Benvenuti et al. .	
D. 372,817	* 8/1996	Stevens	D6/474	5,511,348	4/1996	Cornell et al. .	
D. 377,124	* 1/1997	Stirling et al.	D6/397	5,522,324	* 6/1996	Van Gelder et al.	108/23 X
D. 379,886	* 6/1997	Towfigh	D6/479	5,606,919	3/1997	Fox et al. .	
D. 379,887	6/1997	Muller-Deisig et al. .		5,638,644	6/1997	Bastian .	
D. 392,476	3/1998	Mitchell .		5,724,778	3/1998	Cornell et al. .	
D. 398,166	9/1998	Mitchell .		5,791,260	8/1998	Mack et al. .	
D. 399,683	10/1998	Nicklas .		5,794,794	8/1998	Hull .	
D. 405,980	2/1999	Mitchell .		5,831,211	11/1998	Gartung et al. .	
2,787,382	* 4/1957	Williams	108/108 X	5,833,332	11/1998	Marshall et al. .	
2,943,897	7/1960	Johnson et al. .					
3,101,681	8/1963	Streater .					
3,212,648	10/1965	Baker, Jr. et al. .					
3,229,824	1/1966	De'Caccia .					
3,303,936	2/1967	Barnawell .					
3,512,654	5/1970	Olsen et al. .					
3,664,063	5/1972	Ware .					
4,032,821	6/1977	Keiser .					
4,045,911	9/1977	Ware .					
4,312,086	1/1982	Bianco .					
4,428,631	* 1/1984	Cope et al.	D6/430 X				
4,469,029	9/1984	Ramond .					
4,612,863	9/1986	Vonhausen et al. .					
4,646,211	2/1987	Gallant et al. .					
4,771,583	9/1988	Ball et al. .					

OTHER PUBLICATIONS

Exhibit I discloses a prior art product brochure entitled *Nylon Base Swivel Leveling Mounts*, published by Value Engineering Inc., Irvan, California, publication date unknown.

Exhibit J discloses a prior art product brochure entitled *A world of possibilities. Introducing Contrada. The next generation in office furniture*, published by Trendway, publication date unknown.

Exhibit K discloses a prior art product brochure entitled *RACE*, published by Sunar Hauserman, publication date unknown.

* cited by examiner

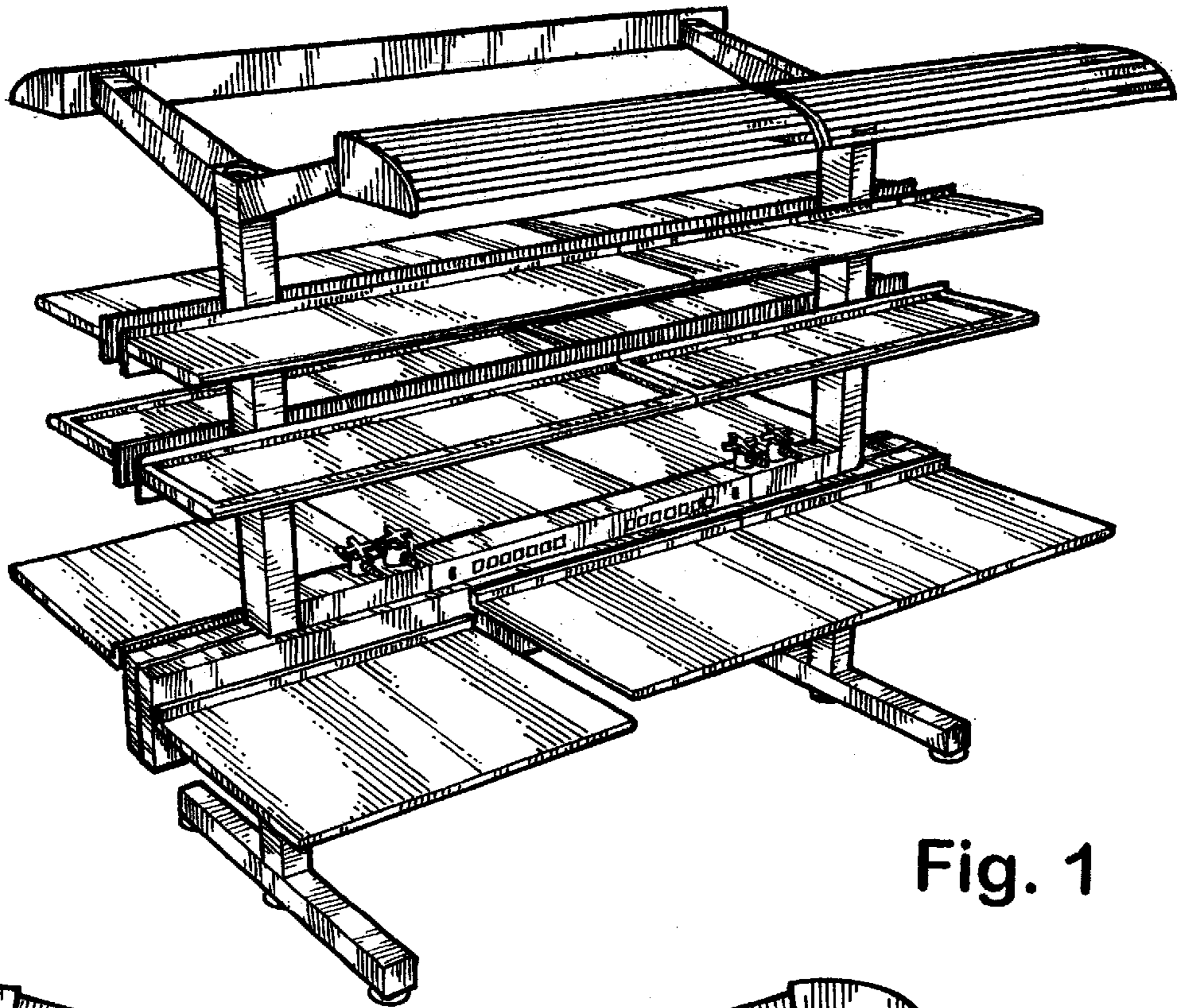


Fig. 1

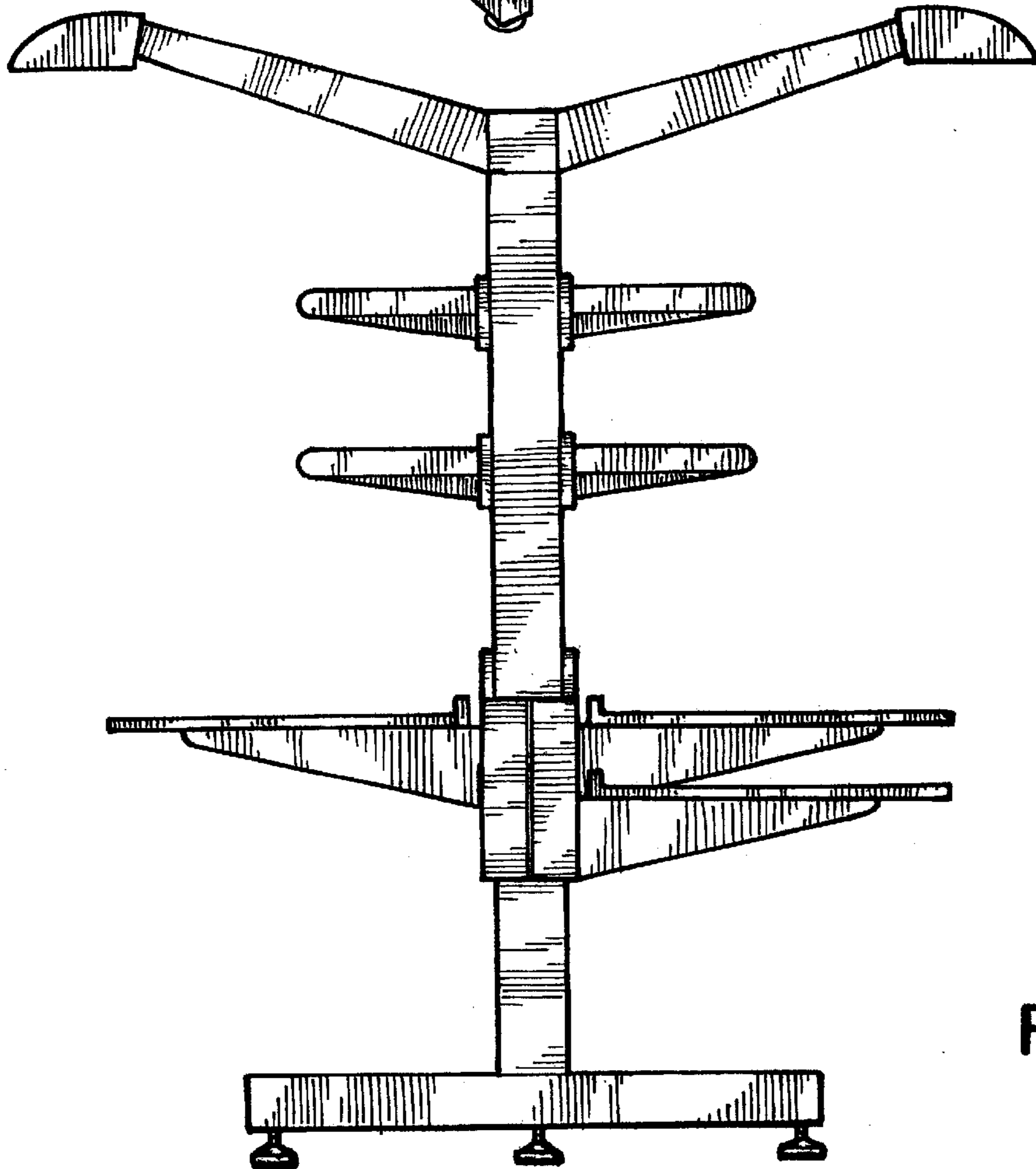


Fig. 2

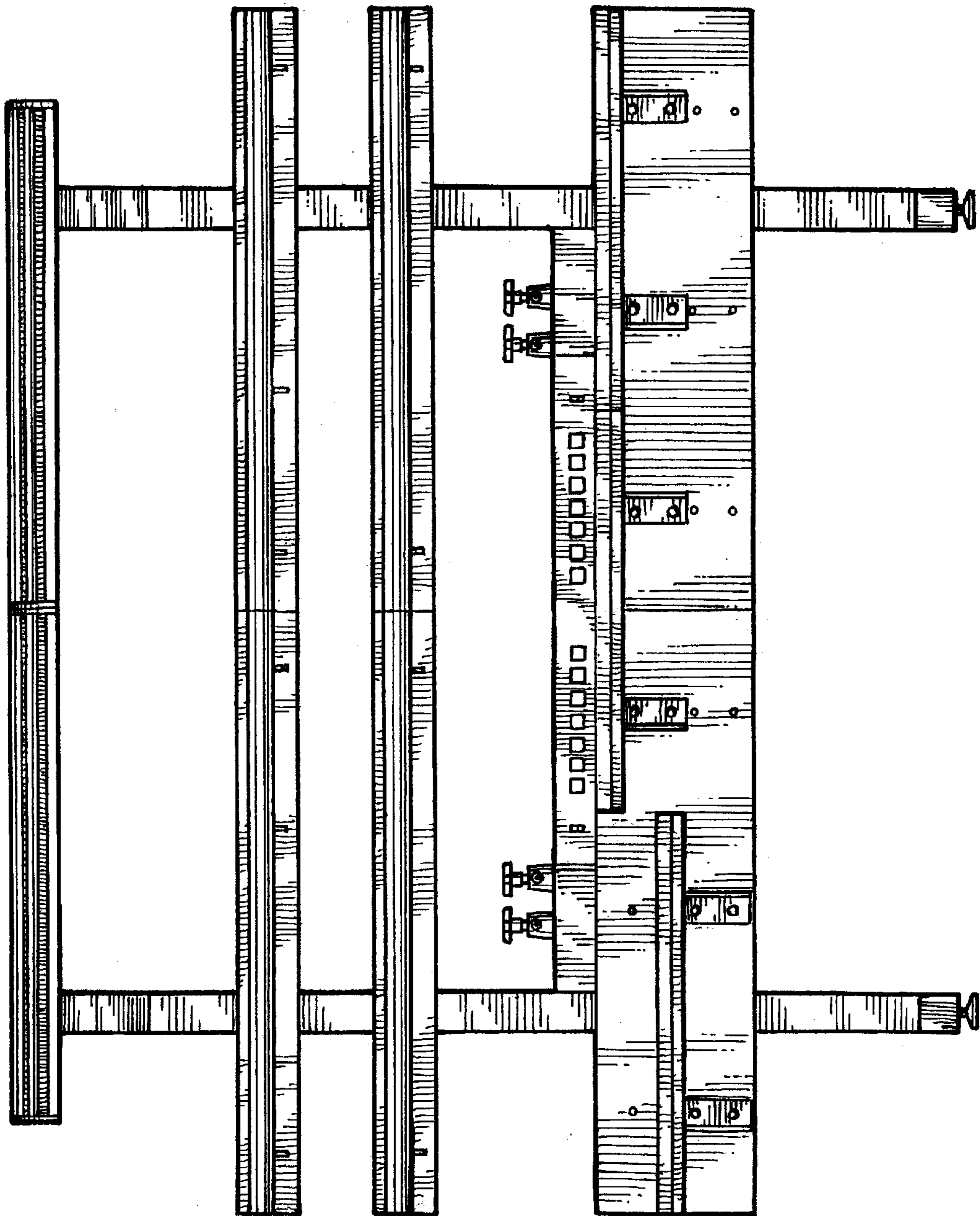


Fig. 3

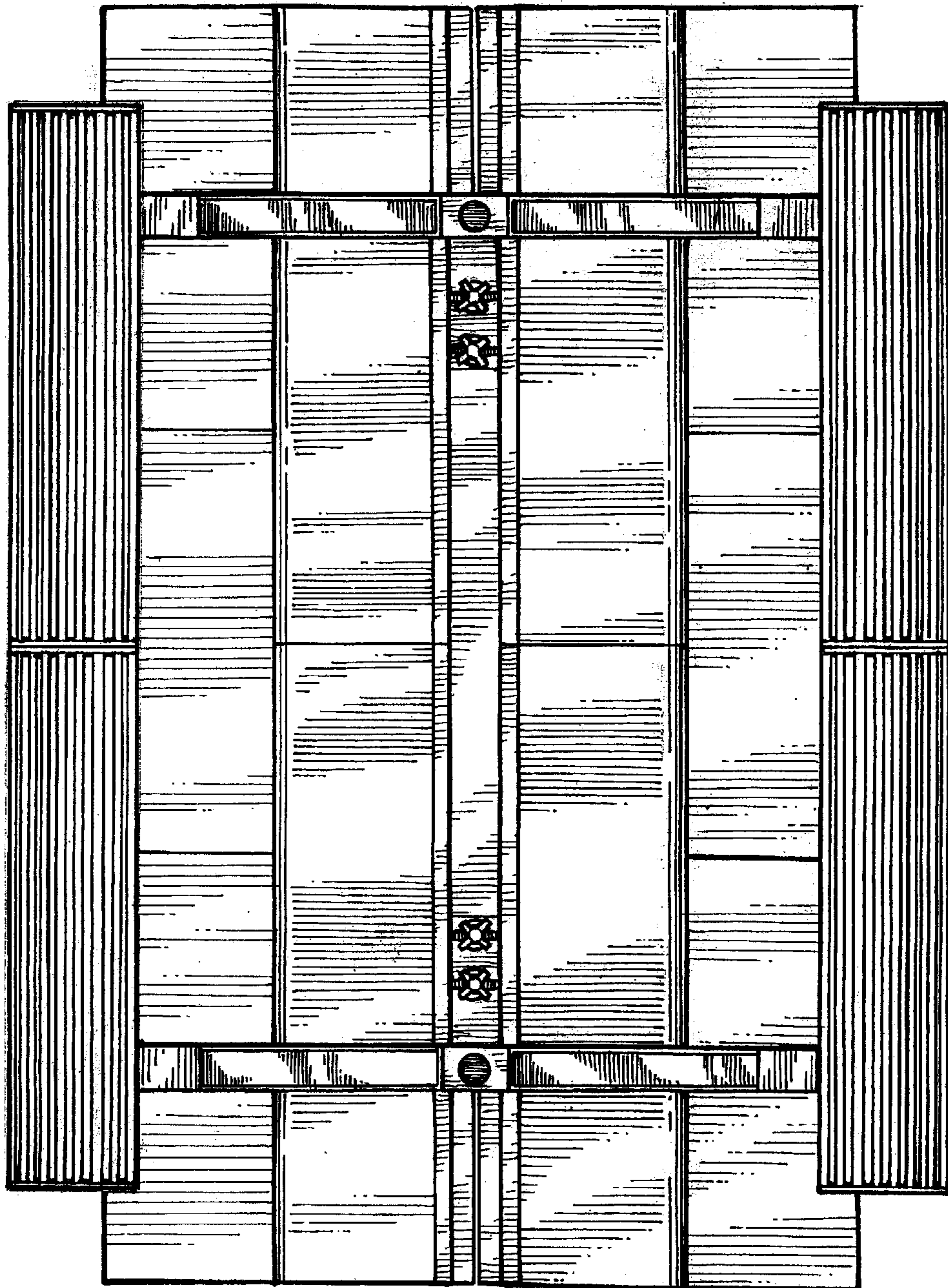


Fig. 4

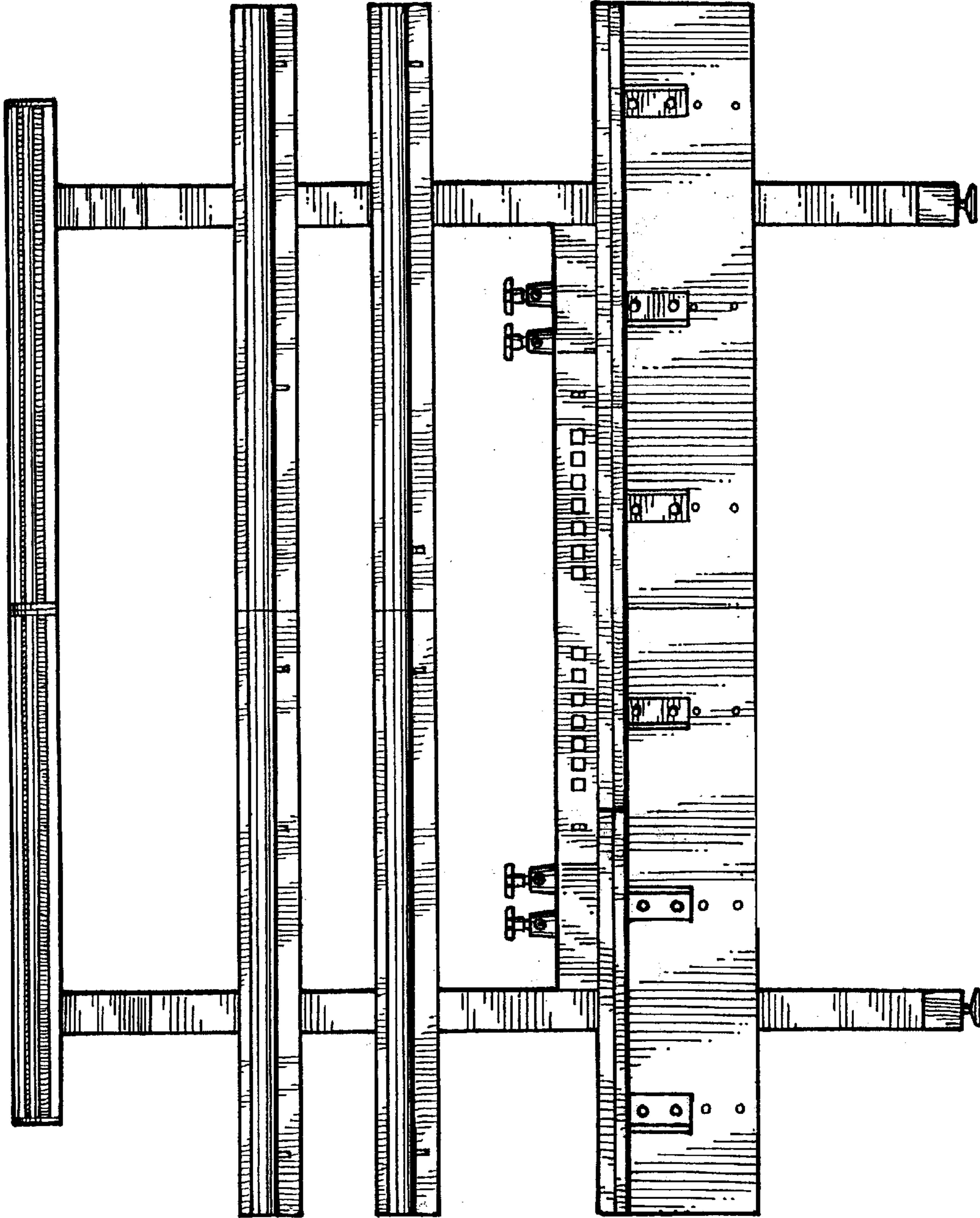


Fig. 5

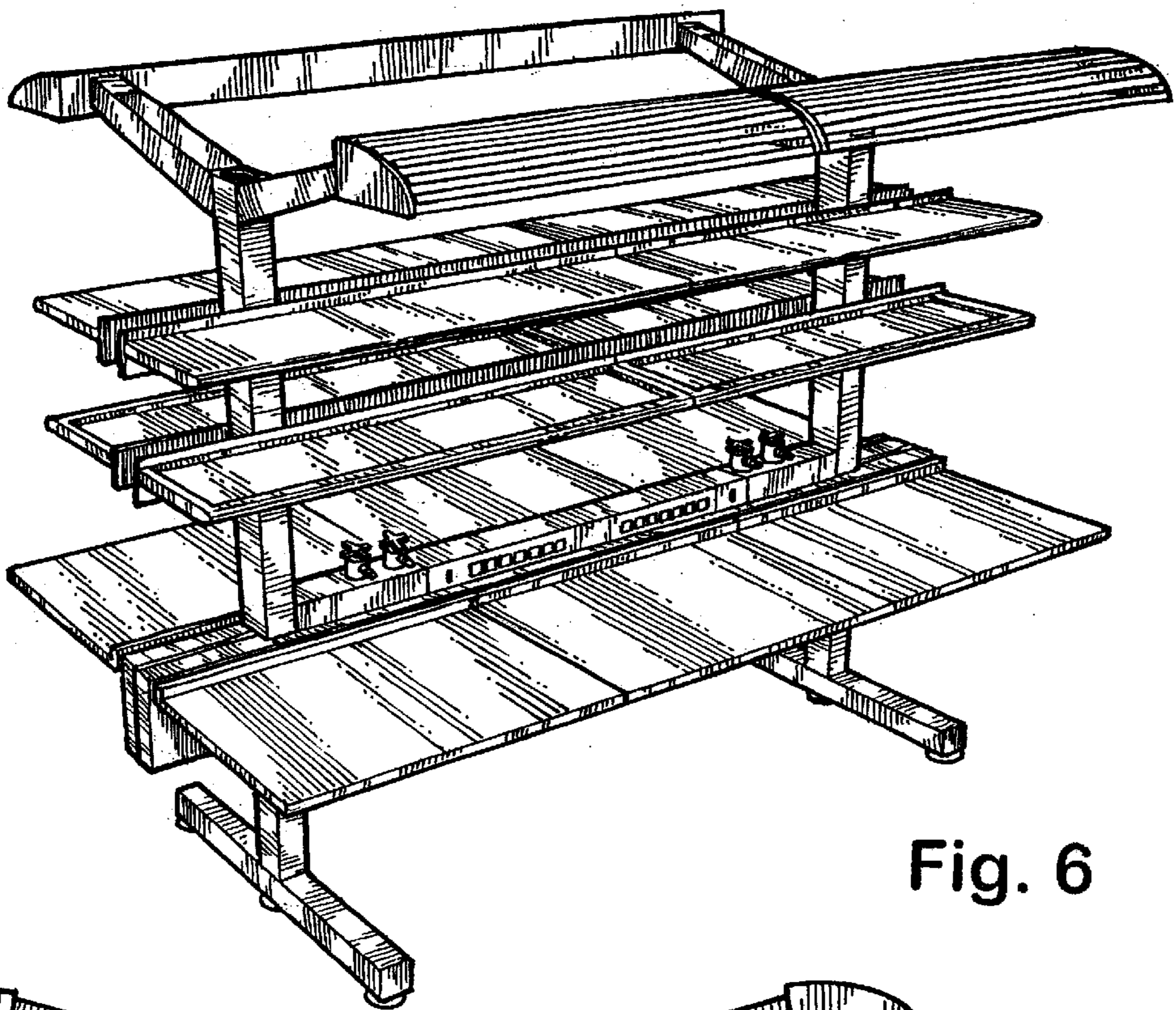


Fig. 6

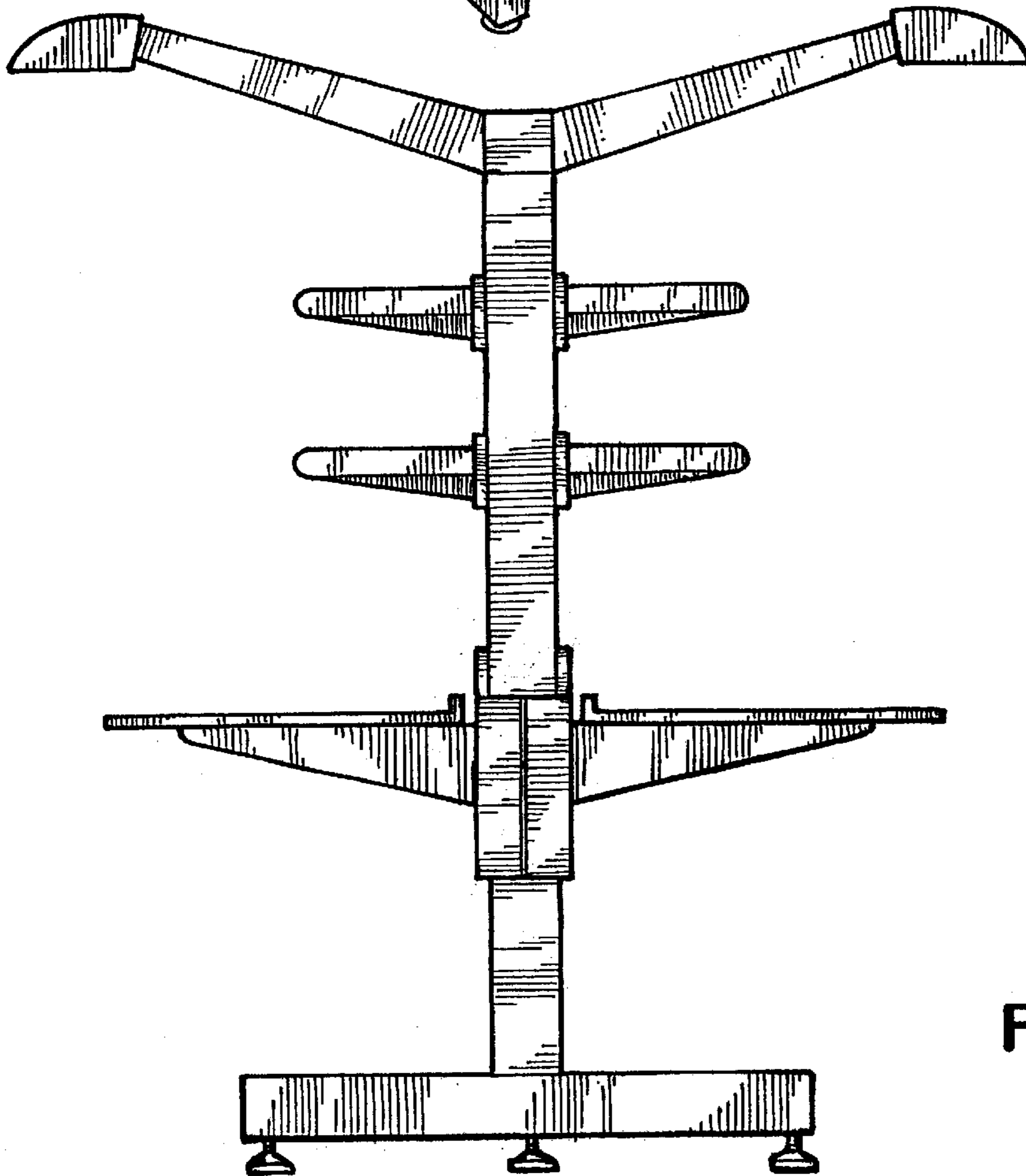


Fig. 7

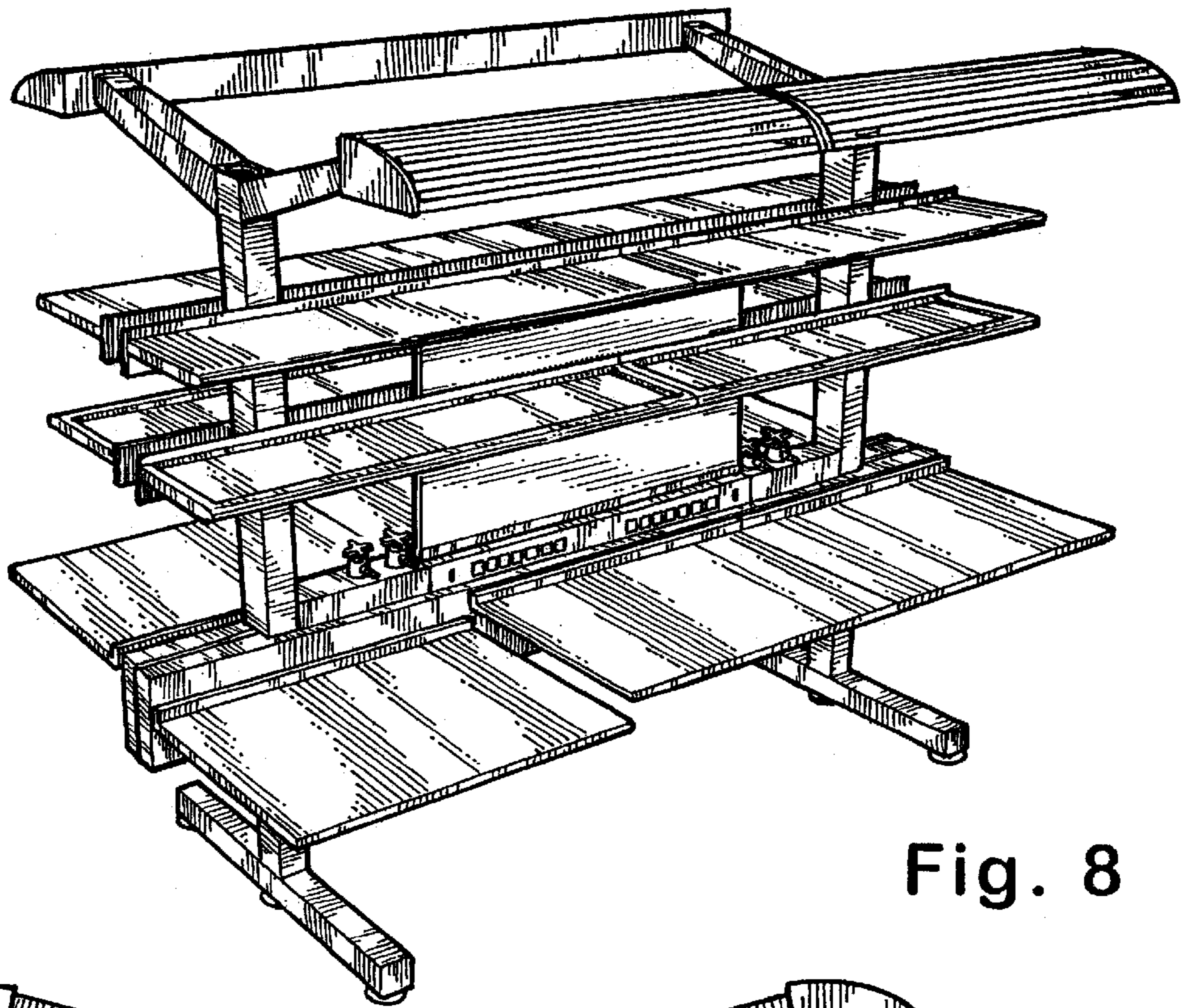


Fig. 8

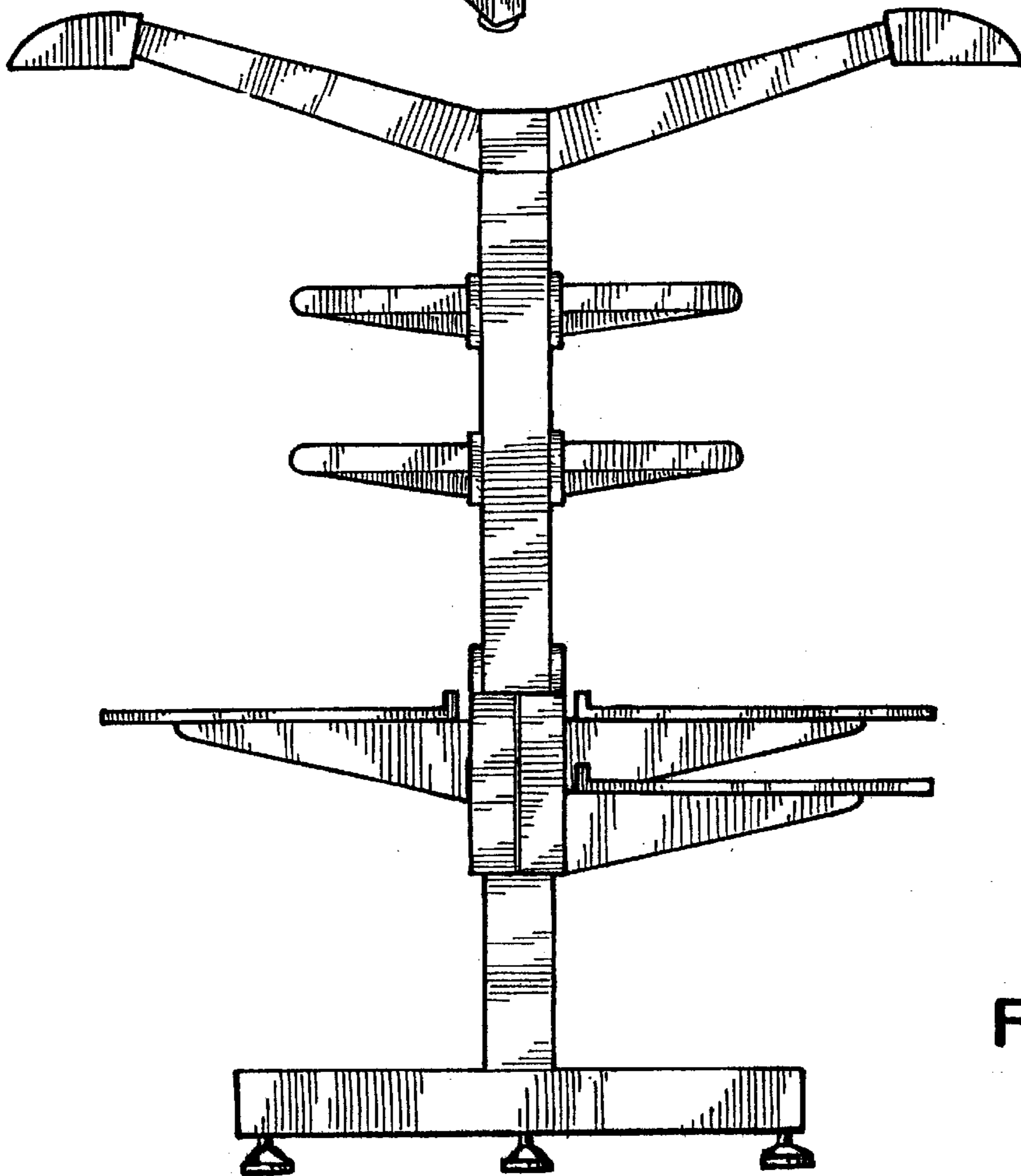


Fig. 9