



US00D437707S

(12) **United States Design Patent**  
**Fear et al.**

(10) **Patent No.:** **US D437,707 S**

(45) **Date of Patent:** **\*\* Feb. 20, 2001**

(54) **WORK STATION**

5,826,385 \* 10/1998 Dykstra et al. .... 52/220.7

(75) Inventors: **Jeffery Fear; James Hayward**, both of  
Culver City, CA (US)

(73) Assignee: **Egan Visual Inc.**, Woodbridge (CA)

(\*\*) Term: **14 Years**

(21) Appl. No.: **29/117,411**

(22) Filed: **Jan. 27, 2000**

(51) **LOC (7) Cl.** ..... **06-03**

(52) **U.S. Cl.** ..... **D6/397; D6/396; D6/509;**  
**D6/511; D13/139.8**

(58) **Field of Search** ..... **D6/397, 480, 483-485,**  
**D6/490, 491, 509, 511; D13/137.1, 137.2,**  
**137.3, 137.4, 139.1, 139.2, 139.3, 139.4,**  
**139.5, 139.6, 139.7, 139.8, 146-148, 154,**  
**155, 160, 164; D14/304; 108/50.02, 50.11;**  
**248/49; 312/223.1, 223.2, 223.3, 223.6;**  
**52/220.1, 220.2; D25/119, 121, 126, 131,**  
**136, 164**

(56) **References Cited**

**U.S. PATENT DOCUMENTS**

D. 192,920	*	5/1962	Beals	.....	D14/304
D. 217,251	*	4/1970	Kahn	.....	D13/139.8
D. 261,134	*	10/1981	Heritage	.....	D13/139.2
D. 284,532	*	7/1986	Vogt	.....	D6/422 X
D. 301,666	*	6/1989	Greutmann et al.	.....	D6/480
D. 360,324	*	7/1995	Vogt	.....	D6/484
D. 401,224	*	11/1998	Mollenkopf et al.	.....	D13/155

**OTHER PUBLICATIONS**

Allied Electronics 900 Engineering Manual & Purchasing  
Guide, c. 1990: p. 366—item Nos. UL2064 and UL2065.\*

\* cited by examiner

*Primary Examiner*—Catherine Tuttle

(74) *Attorney, Agent, or Firm*—Philip C. Mendes da Costa;  
Bereskin & Parr

(57) **CLAIM**

The ornamental design for a work station, as shown and  
described.

**DESCRIPTION**

FIG. 1 is a perspective view from the front and to one side  
of the work station;

FIG. 2 is a front elevation view of the work station of FIG.  
1;

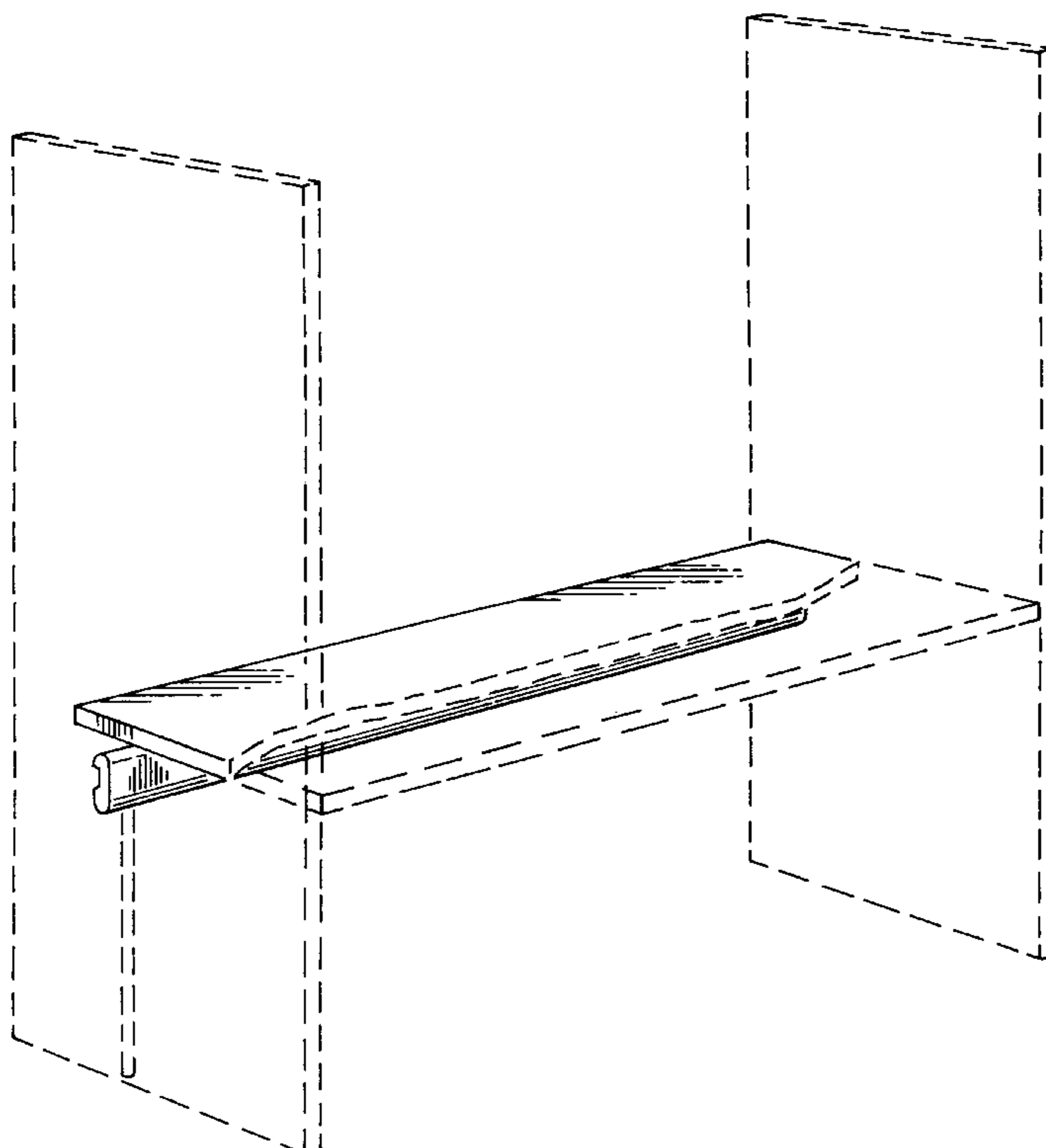
FIG. 3 is a rear elevational view of the work station of FIG.  
1;

FIG. 4 is a left side elevational view of the work station of  
FIG. 1, the side opposite being a mirror image of the side  
shown; and,

FIG. 5 is a top plan view of the work station of FIG. 1.

The broken line(s) in FIGS. 1, 4 and 5 immediately adjacent  
the shaded area of the horizontal planar surface define the  
bounds of the claimed design; all other broken lines are for  
illustrative purpose only. None of the broken lines form a  
part of the claim.

**1 Claim, 5 Drawing Sheets**



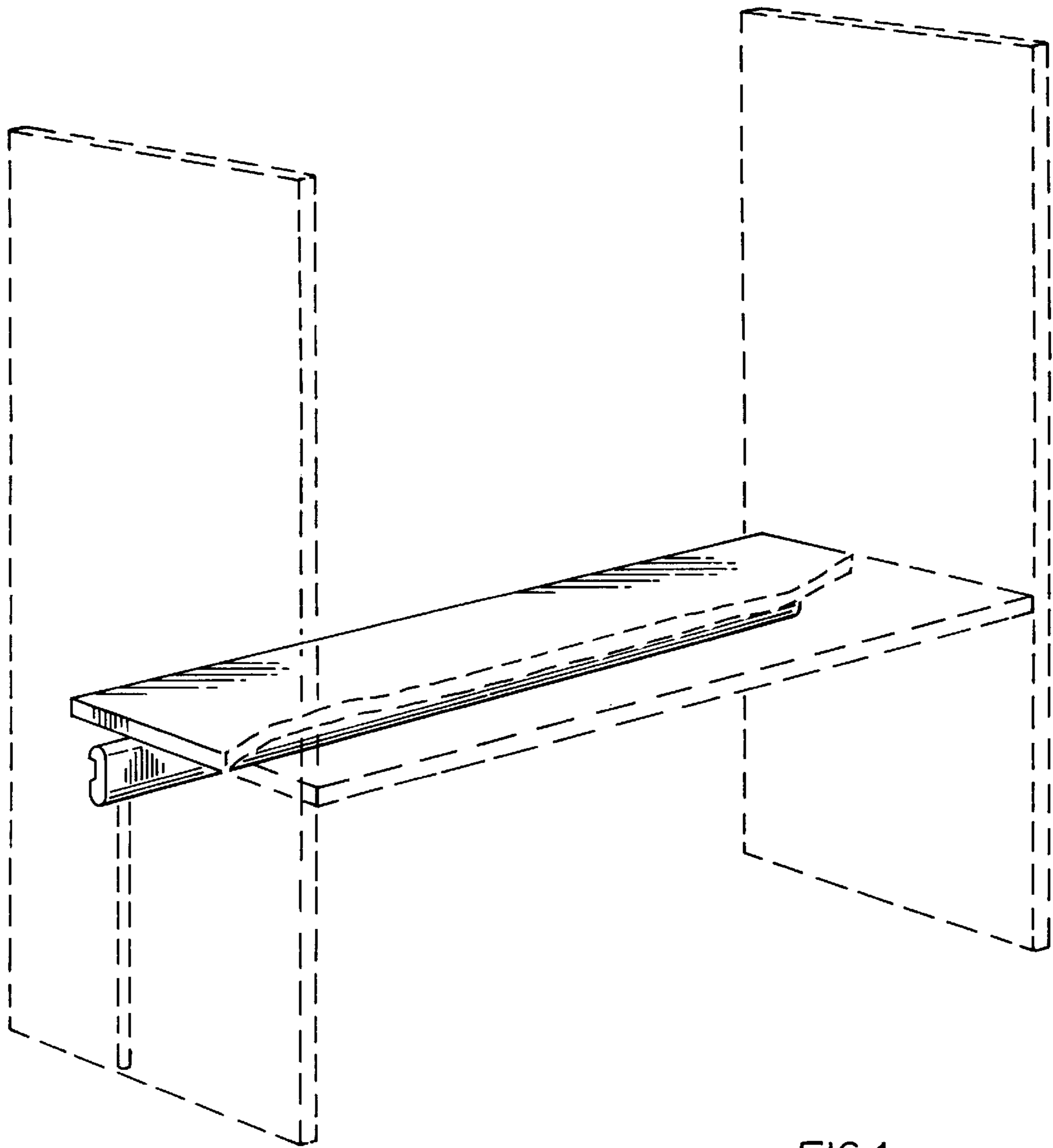


FIG. 1

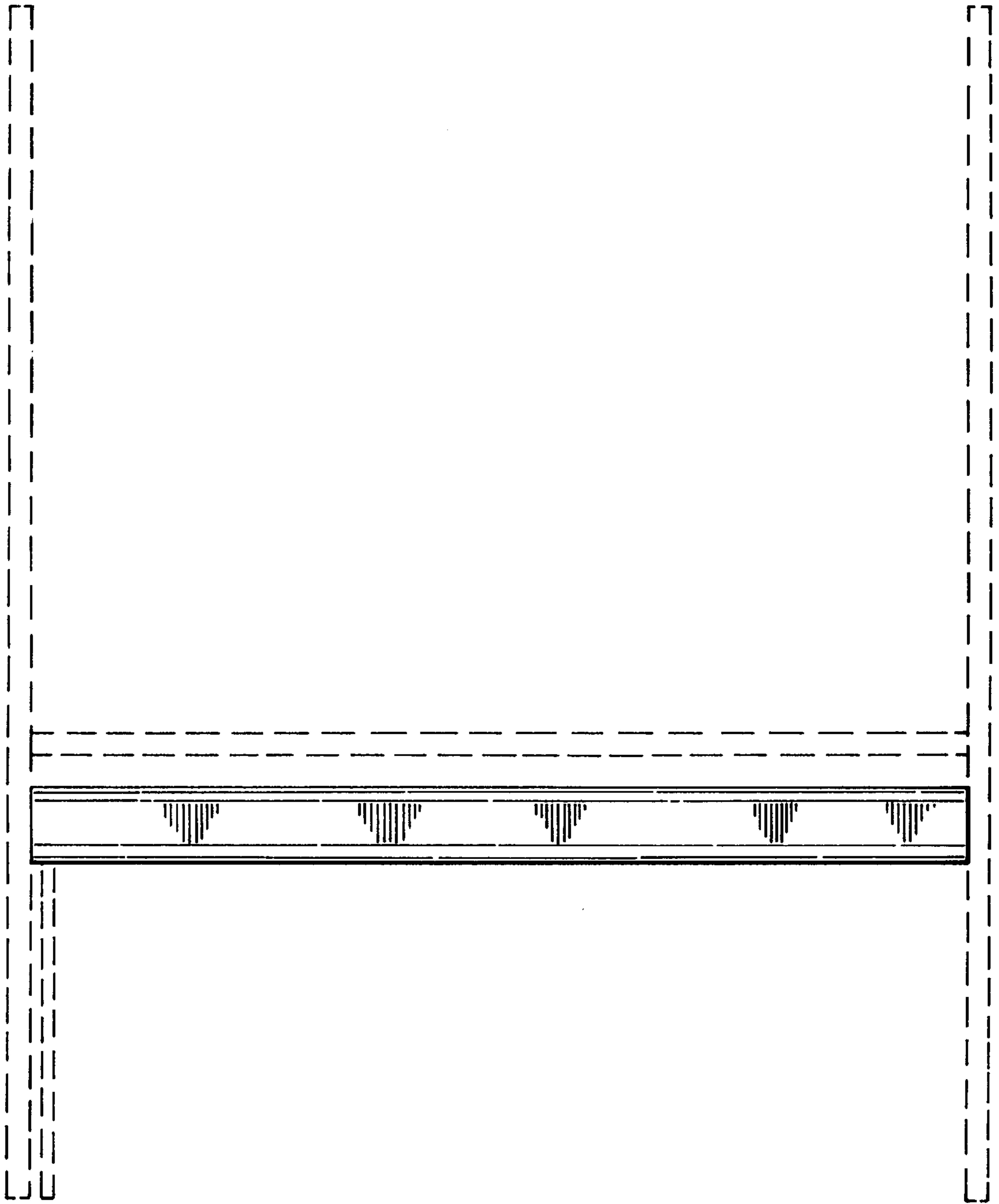


FIG. 2

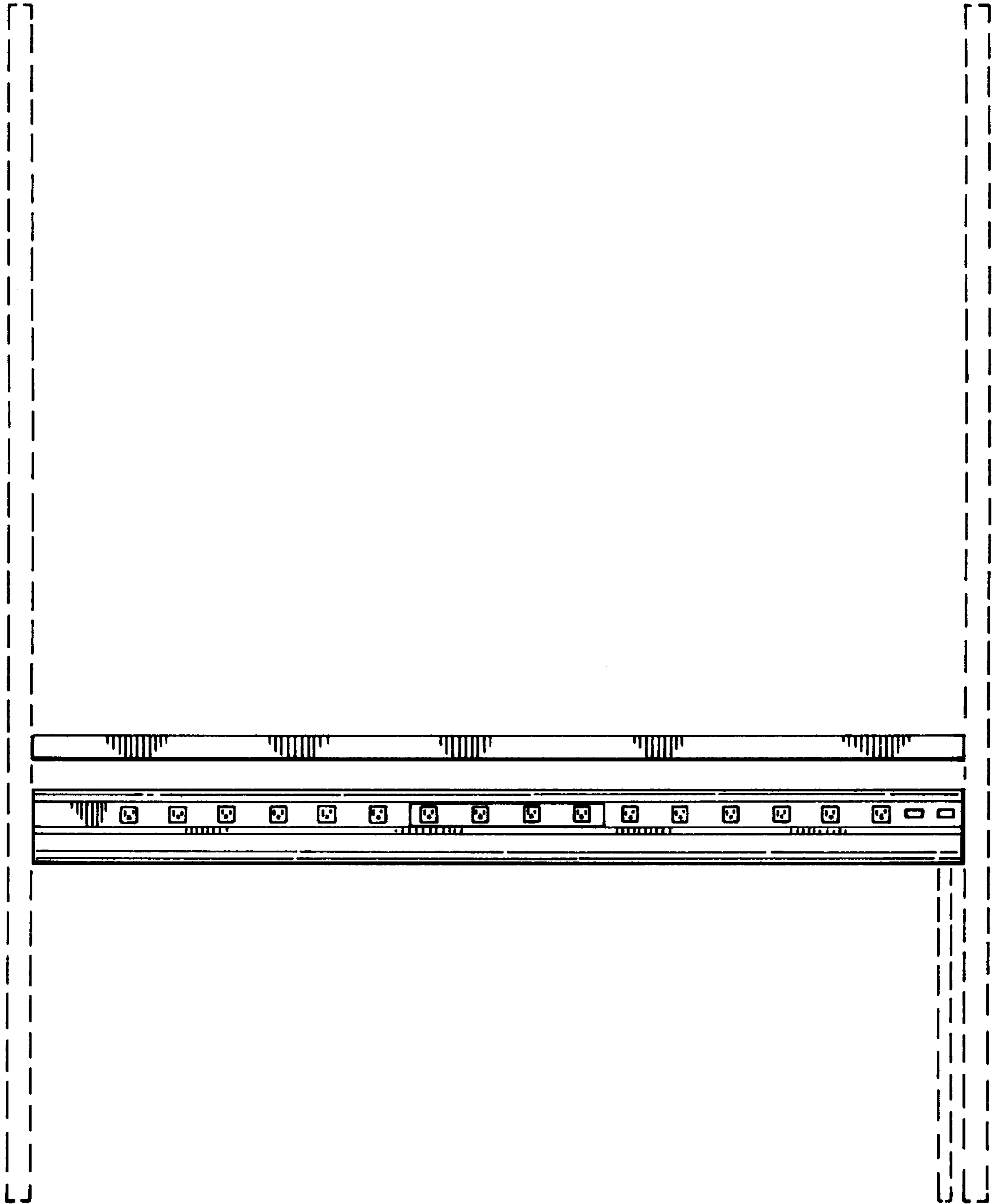


FIG. 3

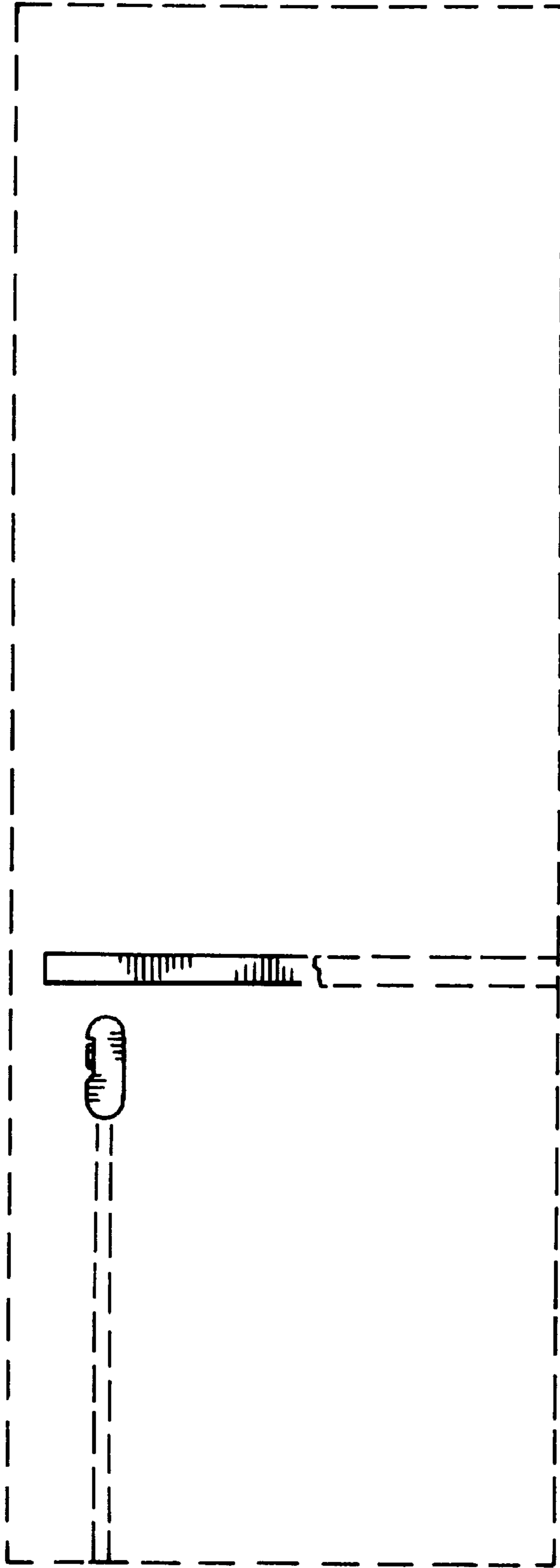


FIG.4

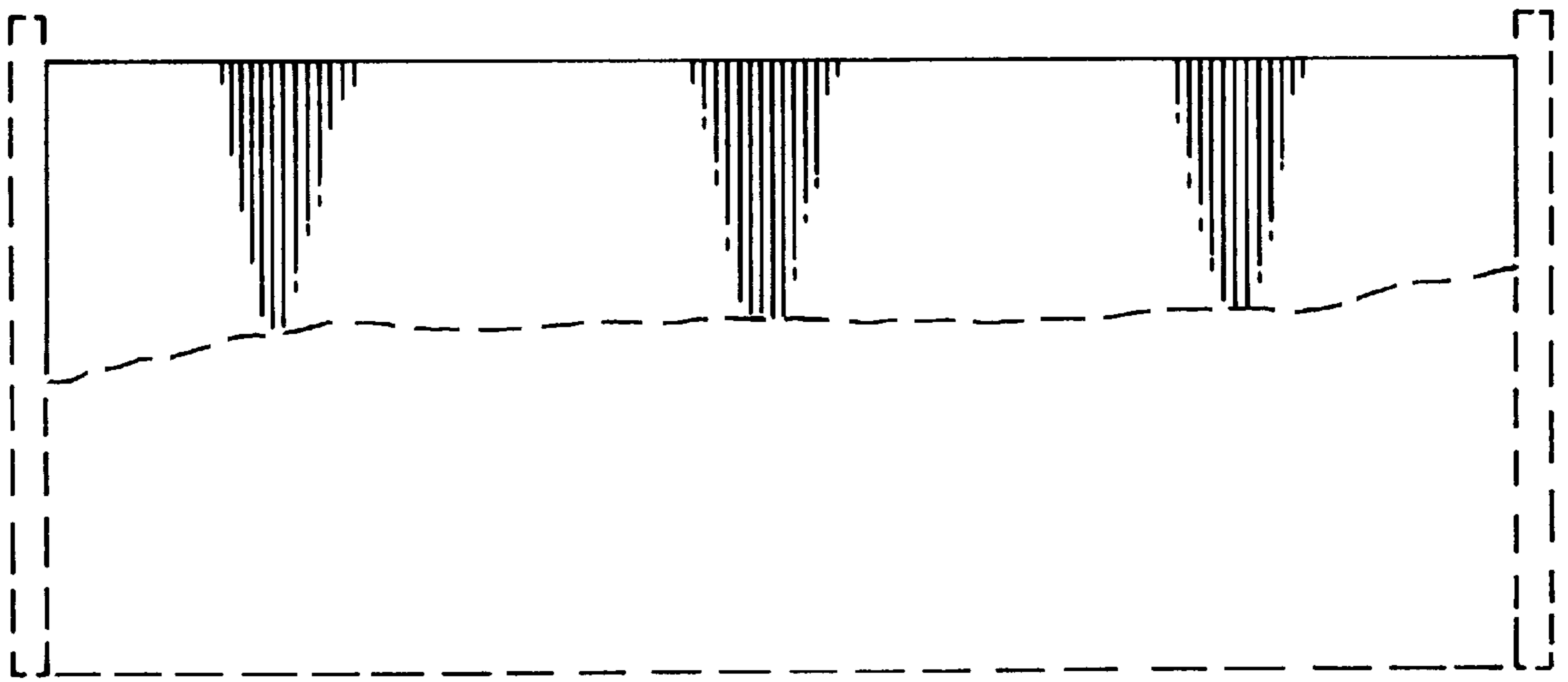


FIG. 5