



US00D437705S

(12) **United States Design Patent**
Davis

(10) **Patent No.:** **US D437,705 S**

(45) **Date of Patent:** **** Feb. 20, 2001**

(54) **LOUNGE CHAIR WITH EXTENDED ARM RESTS**

(76) **Inventor:** **George S. Davis**, 1480 S. Ocean Dr.,
Vero Beach, FL (US) 32963

(**) **Term:** **14 Years**

(21) **Appl. No.:** **29/122,202**

(22) **Filed:** **Apr. 20, 2000**

(51) **LOC (7) Cl.** **06-01**

(52) **U.S. Cl.** **D6/375**

(58) **Field of Search** D6/334, 335, 336,
D6/368, 374, 375, 379, 500, 501, 502;
297/16.1, 18, 56

(56) **References Cited**

U.S. PATENT DOCUMENTS

- D. 21,503 * 4/1892 Ward D6/335
- D. 40,613 * 4/1910 Waters, Jr. D6/375
- D. 114,892 * 5/1939 Gardner D6/375
- D. 221,146 * 7/1971 McComas D6/368
- D. 252,428 * 7/1979 Brelsford D6/375

- D. 274,200 * 6/1984 Saiger D6/379
- D. 395,763 * 7/1998 Machell D6/368
- 2,543,273 * 2/1951 Beil D6/368 X
- 2,710,642 * 6/1955 Fauser D6/368 X

* cited by examiner

Primary Examiner—Gary D. Watson
(74) *Attorney, Agent, or Firm*—Thomas, Kayden,
Horstemeyer & Risley, L.L.P.

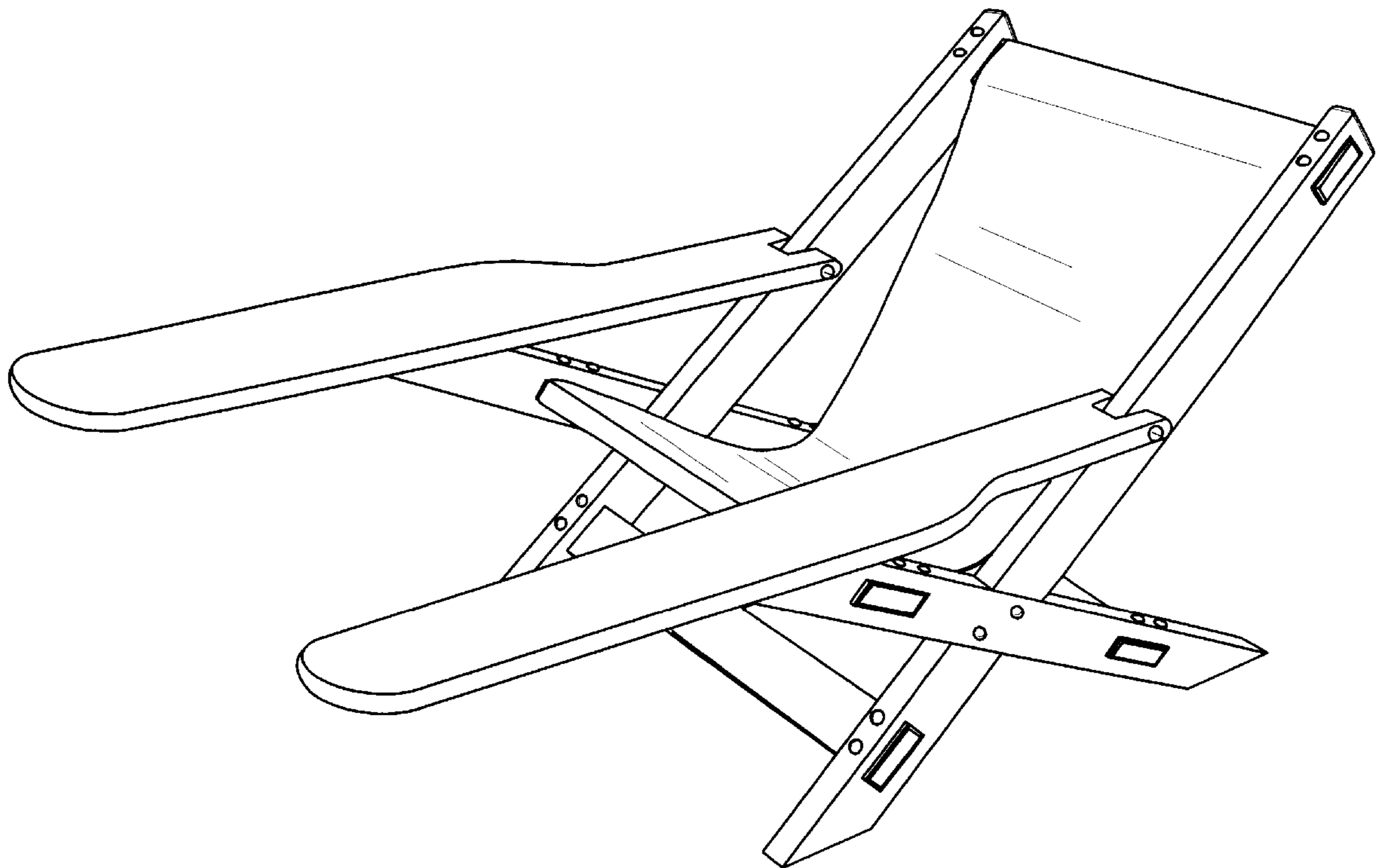
(57) **CLAIM**

The ornamental design for a lounge chair with extended arm rests, as shown and described.

DESCRIPTION

FIG. 1 is a perspective illustration of the lounge chair with extended arm rests;
FIG. 2 is a front view thereof;
FIG. 3 is a rear view thereof;
FIG. 4 is a right side view thereof, the left side being a mirror image;
FIG. 5 is a top view thereof; and,
FIG. 6 is a bottom view thereof.

1 Claim, 5 Drawing Sheets



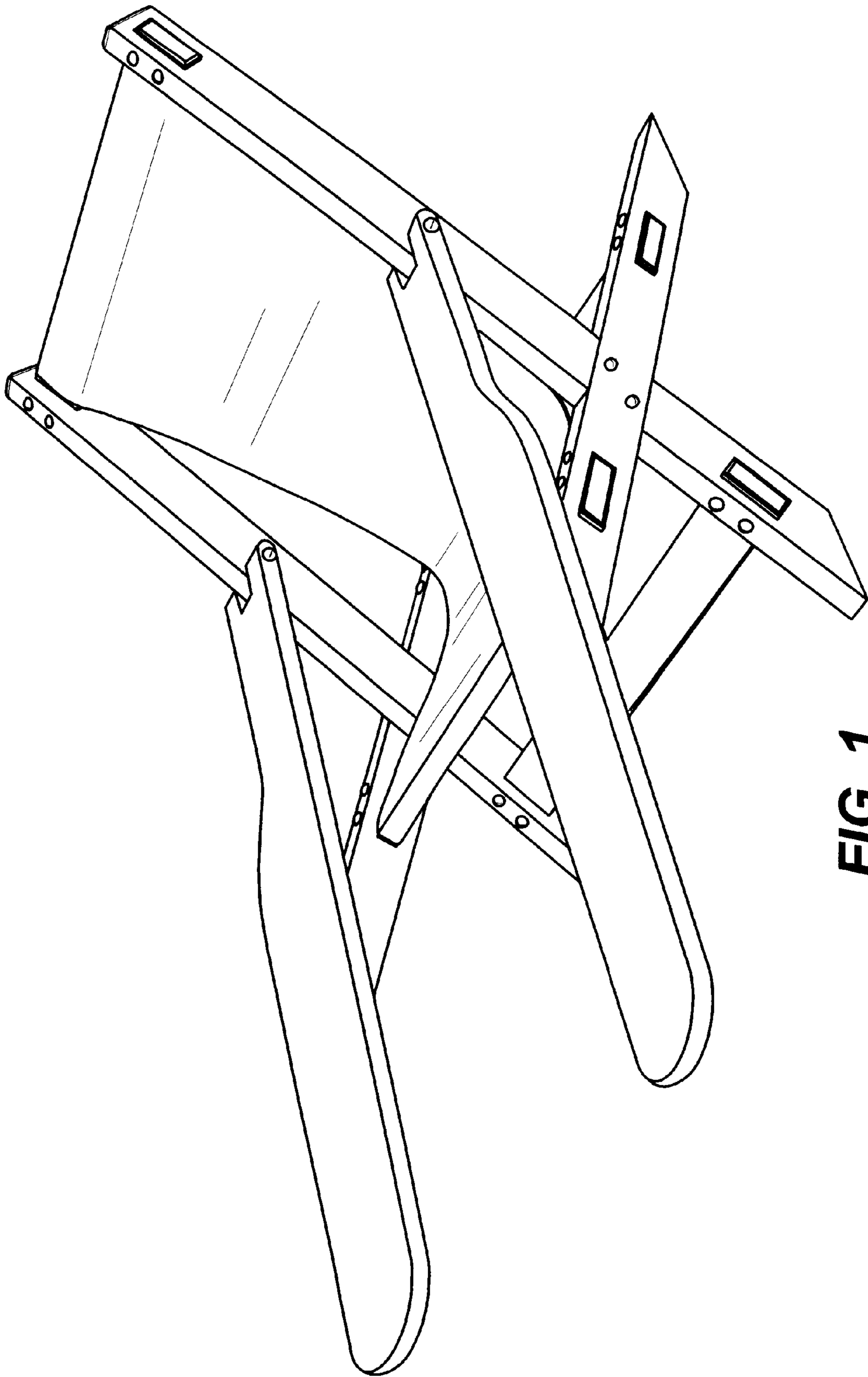


FIG. 1

FIG. 2

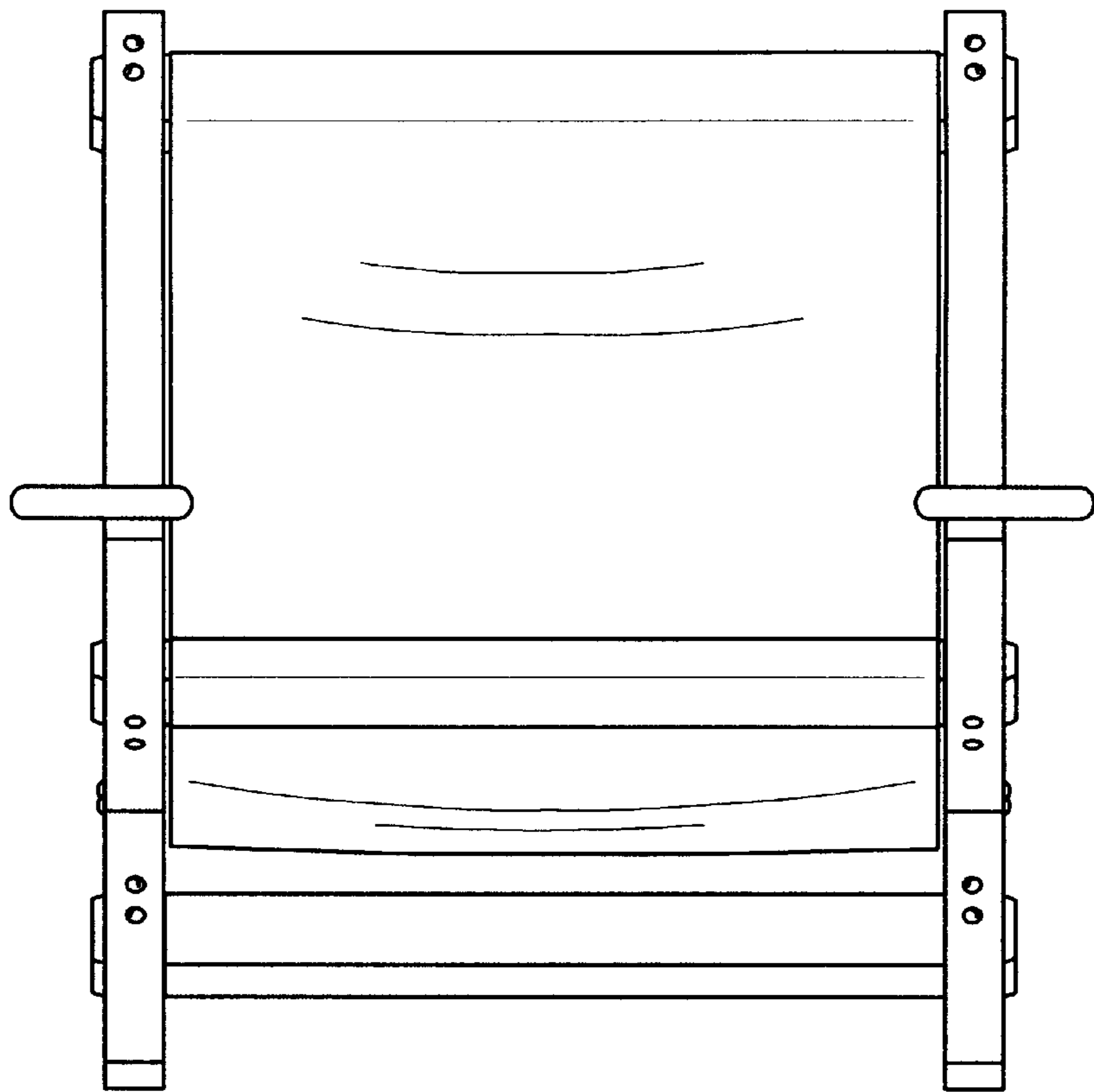
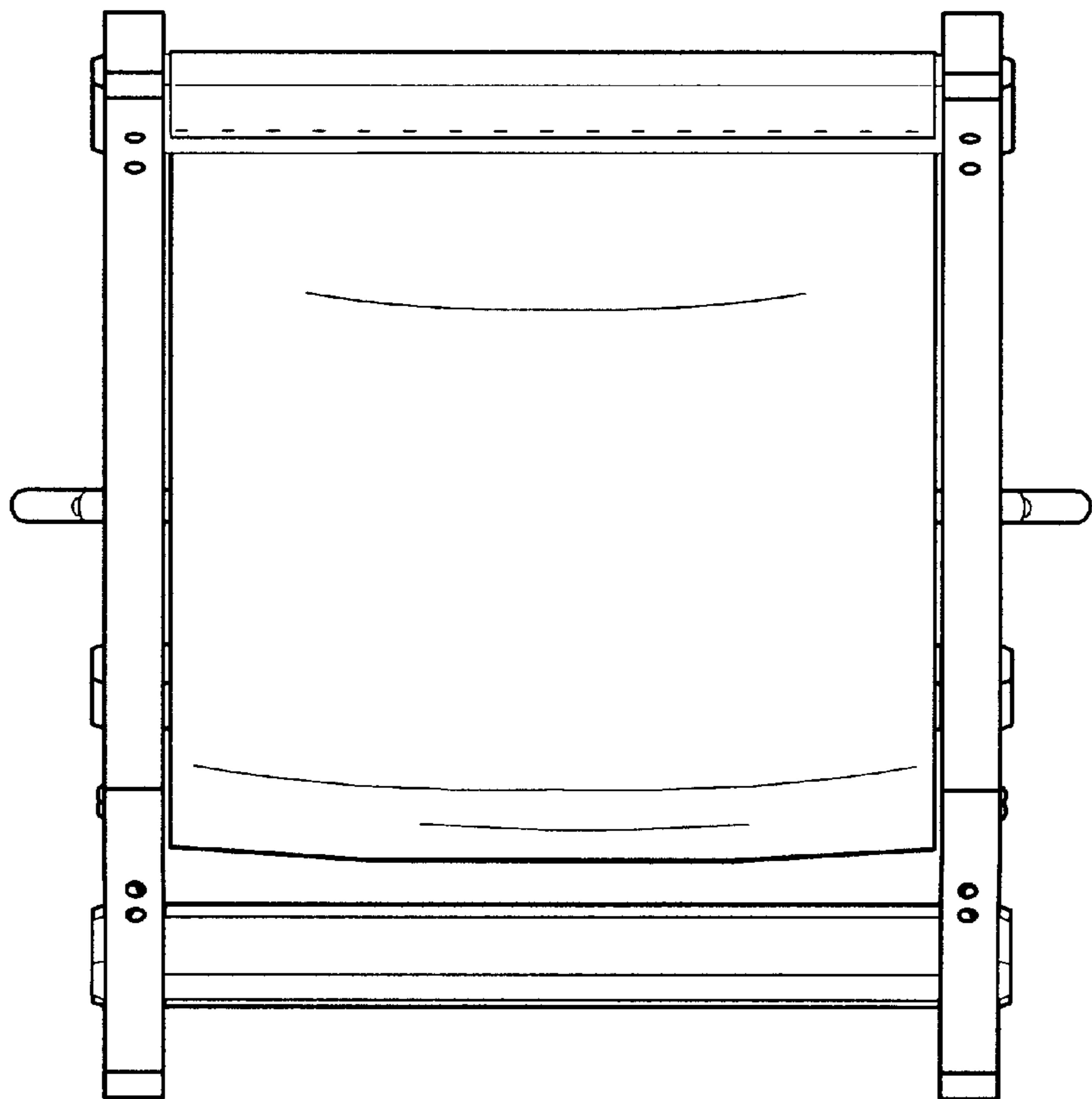


FIG. 3



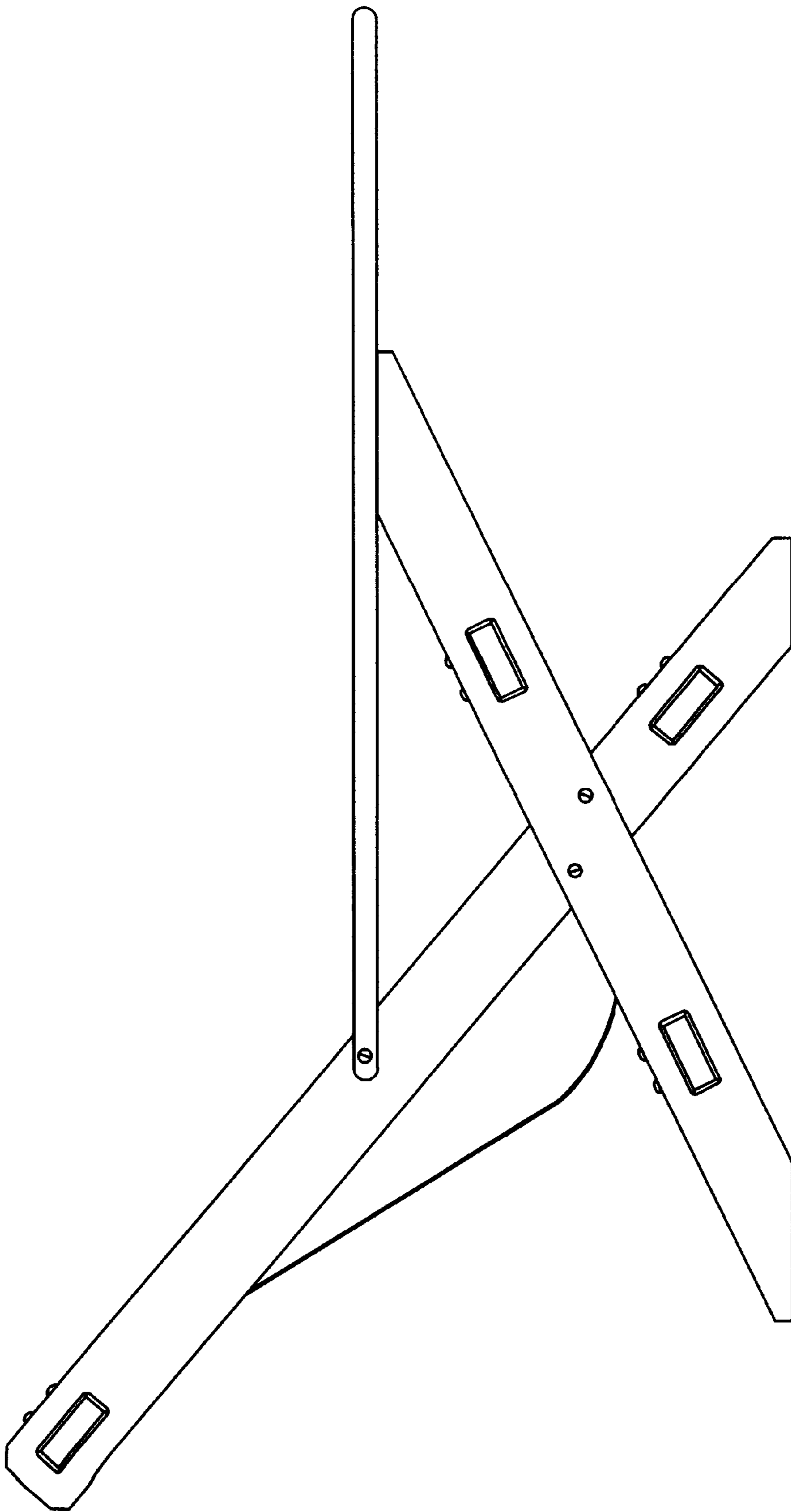


FIG. 4

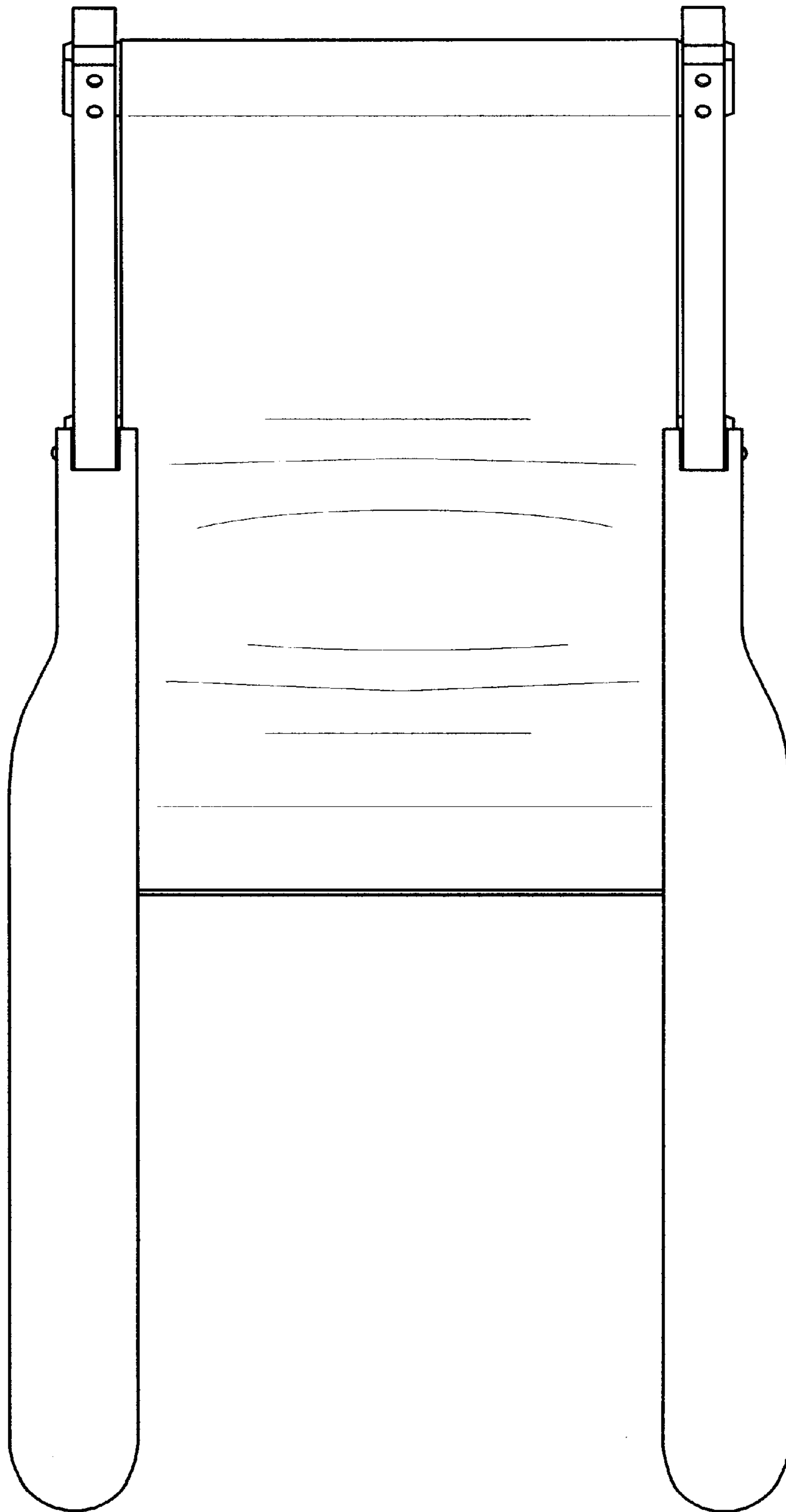


FIG. 5

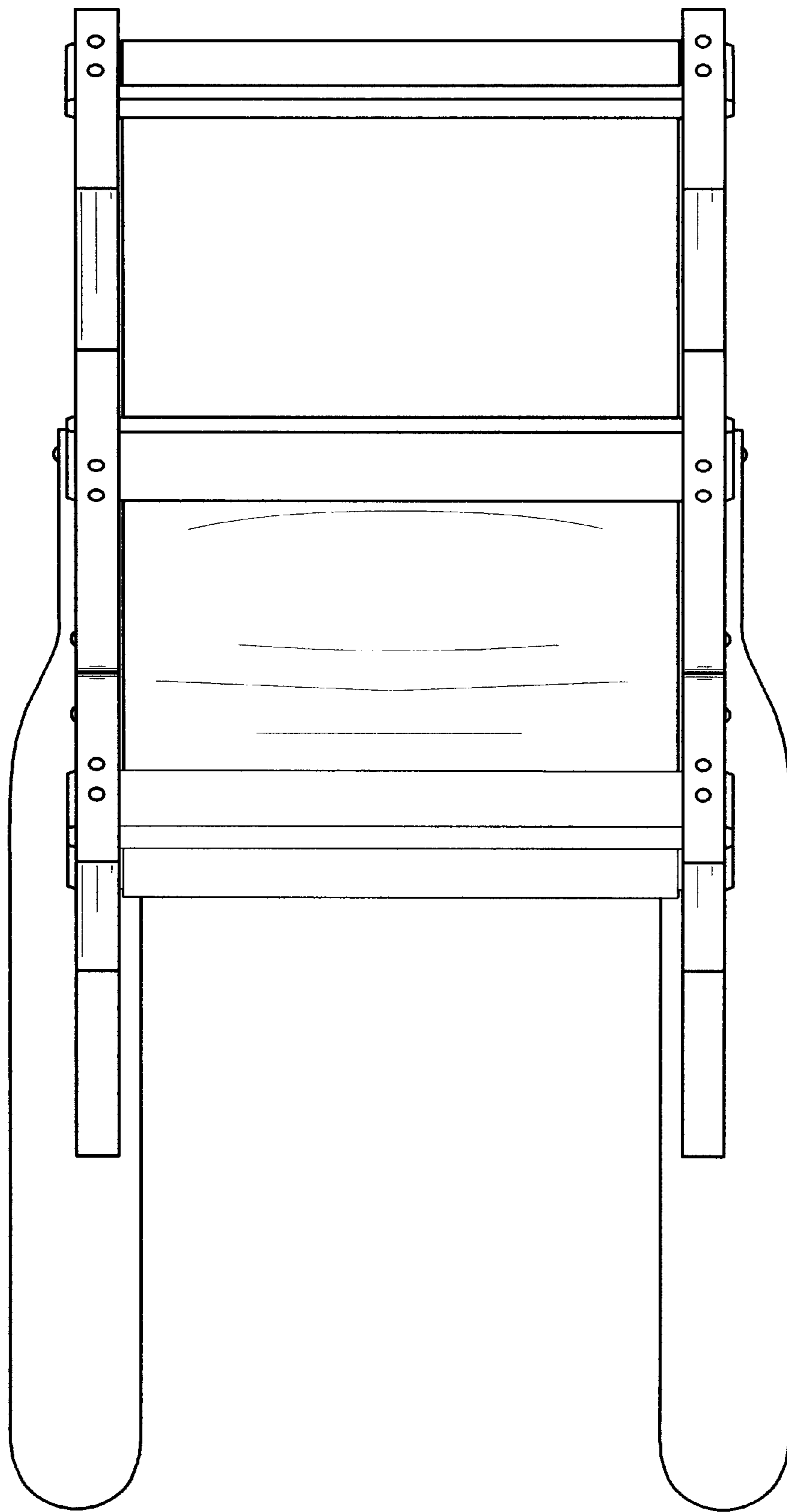


FIG. 6