



US00D437701S

(12) **United States Design Patent**
Bellini et al.

(10) **Patent No.:** **US D437,701 S**

(45) **Date of Patent:** **** Feb. 20, 2001**

(54) **CHAIR**

(75) Inventors: **Mario Bellini; Claudio F. Bellini**, both of Milan (IT)

(73) Assignee: **Vitra Patente AG**, MuttENZ (CH)

(**) Term: **14 Years**

(21) Appl. No.: **29/112,158**

(22) Filed: **Oct. 12, 1999**

(30) **Foreign Application Priority Data**

Apr. 12, 1999 (XH) DM/047 387

(51) **LOC (7) Cl.** **06-01**

(52) **U.S. Cl.** **D6/366**

(58) **Field of Search** D6/334, 335, 364, D6/365, 366, 367, 500, 501, 502; 297/391, 410, 411.2, 411.27, 411.36

(56) **References Cited**

U.S. PATENT DOCUMENTS

D. 196,235	*	9/1963	Gianvecchio	D6/502
D. 327,781	*	7/1992	Citterio	D6/366
D. 327,782	*	7/1992	Citterio	D6/366
D. 345,060	*	3/1994	Duncan	D6/366
D. 358,944		6/1995	Citterio	.	
D. 363,383	*	10/1995	Cronk	D6/366
D. 375,009	*	10/1996	Webb	D6/500
D. 381,525	*	7/1997	James	D6/366
D. 390,712	*	2/1998	Koepke et al.	D6/366

D. 398,163	*	9/1998	DeSanta	D6/366
D. 407,576	*	4/1999	Ritch et al.	D6/500
D. 407,911		4/1999	Bräuning	.	
D. 408,181	*	4/1999	Ginat	D6/500
D. 410,799		6/1999	Meda	.	
D. 414,349	*	9/1999	Jenkins et al.	D6/366
D. 417,793	*	12/1999	Ritch et al.	D6/366
D. 418,316	*	1/2000	Vogtherr	D6/366
D. 418,685	*	1/2000	Kaczmarek	D6/366

* cited by examiner

Primary Examiner—Gary D. Watson

(74) *Attorney, Agent, or Firm*—Selitto & Associates

(57) **CLAIM**

The ornamental design for a chair, as shown and described.

DESCRIPTION

FIG. 1 is a front perspective view of a chair showing my new design;

FIG. 2 is a front elevational view thereof;

FIG. 3 is a rear elevational view thereof;

FIG. 4 is a left side elevational view thereof;

FIG. 5 is a right side elevational view thereof;

FIG. 6 is a top plan view thereof;

FIG. 7 is a bottom plan view thereof;

FIG. 8 is a front perspective view of chair which is essentially identical to the one shown in FIGS. 1–7, except that it is provided with a head rest; and,

FIG. 9 is a rear elevational view of the chair shown in FIG. 8.

1 Claim, 4 Drawing Sheets

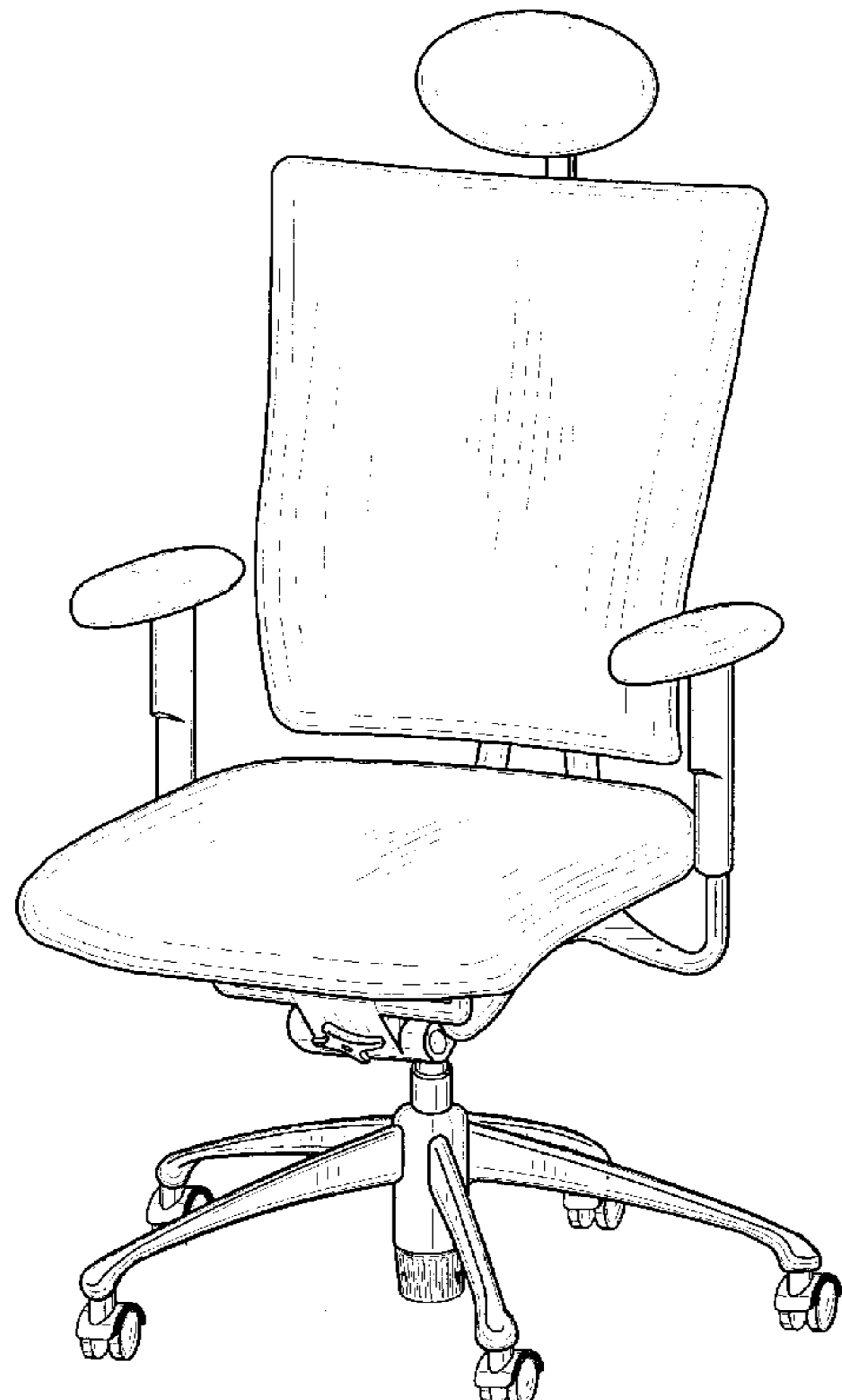
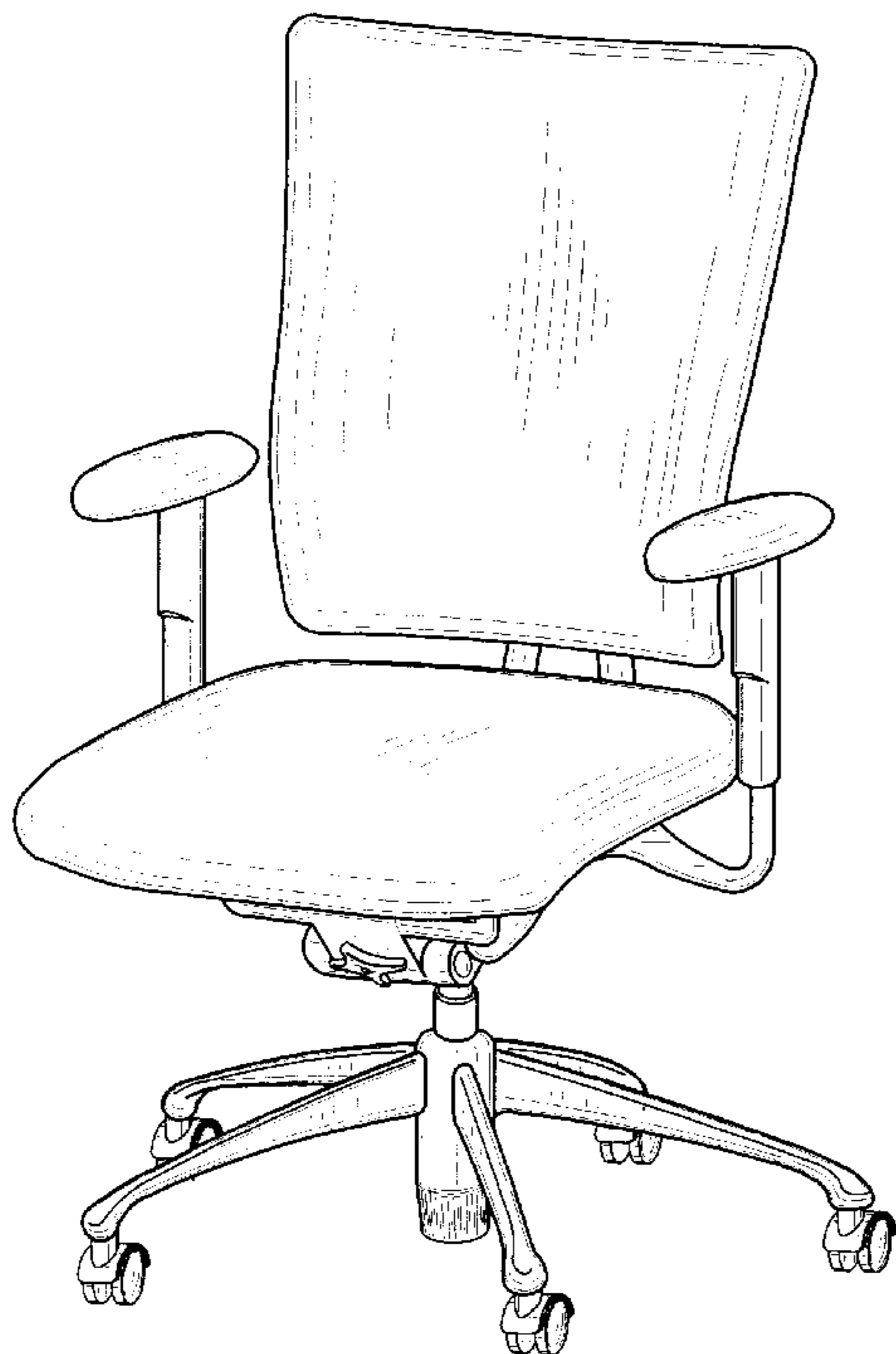


FIG. 1

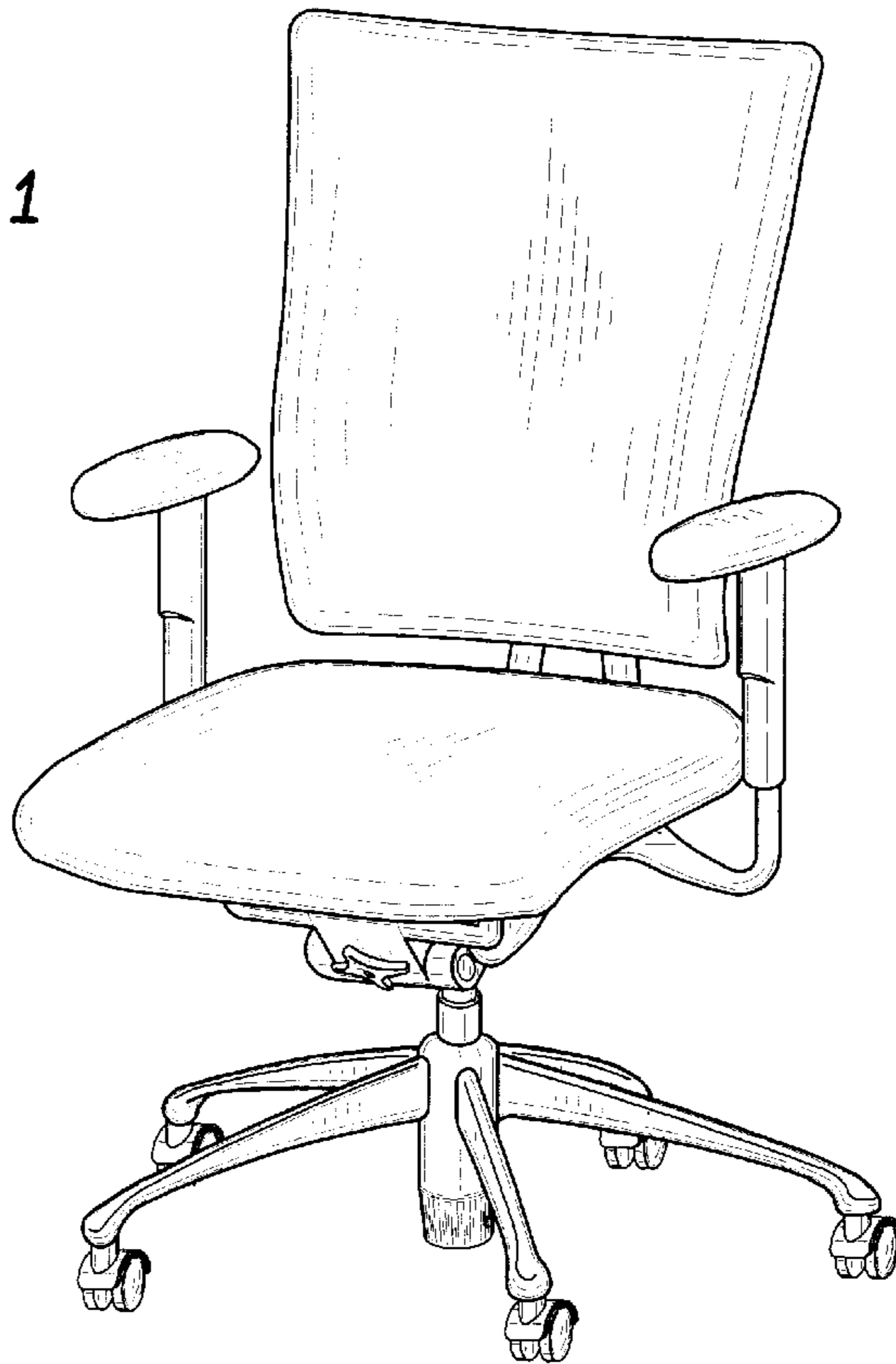


FIG. 2

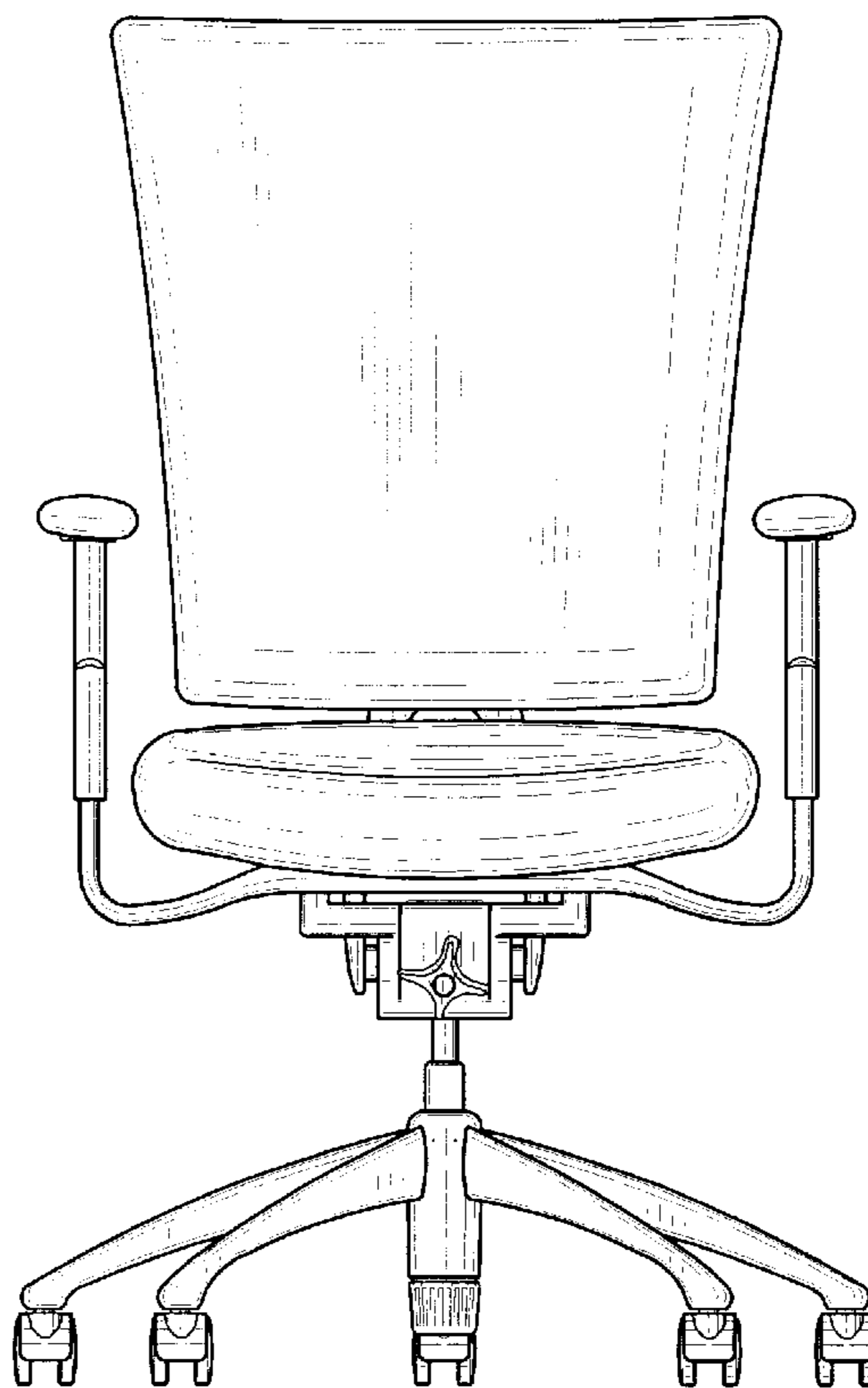


FIG. 3

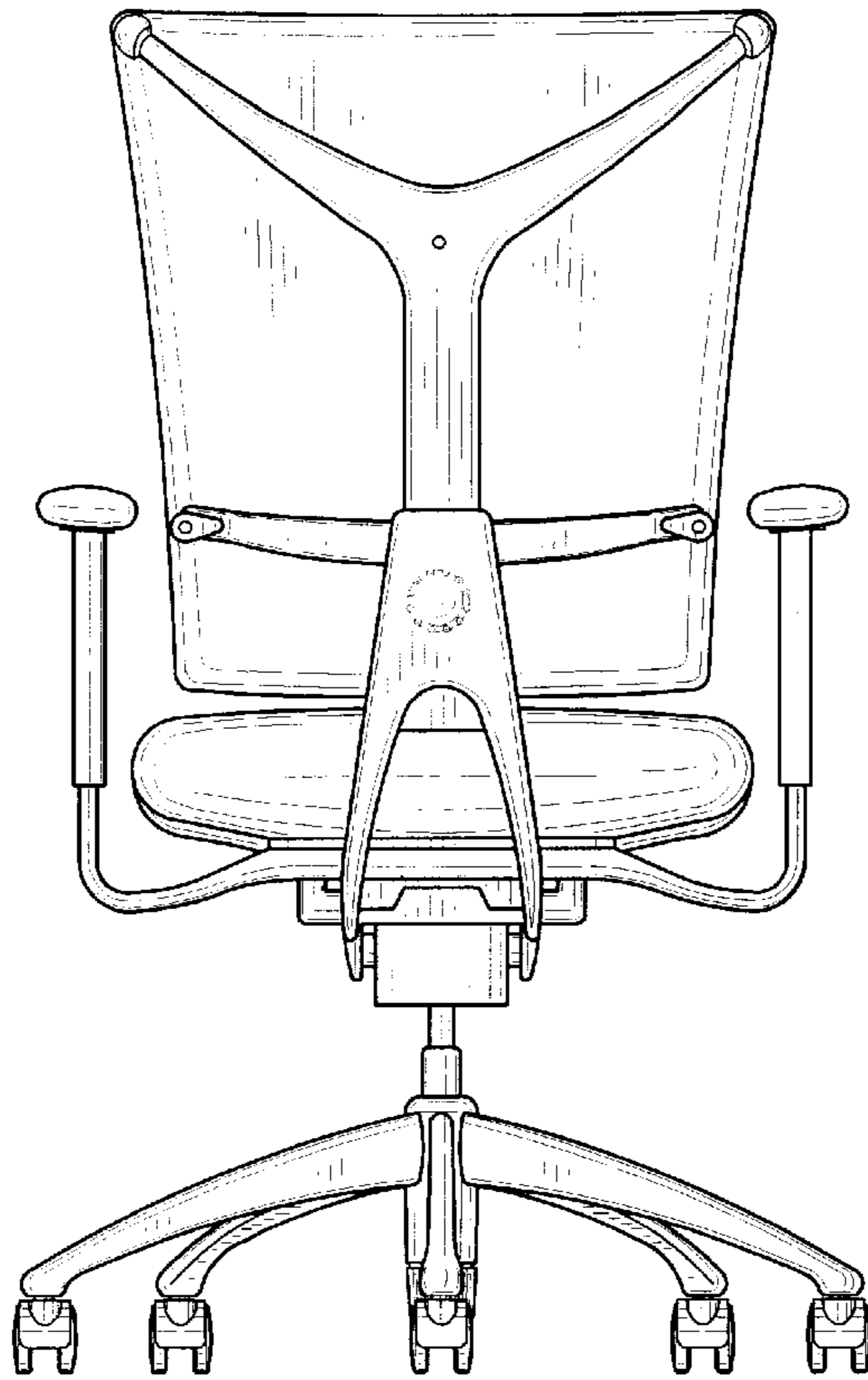


FIG. 4

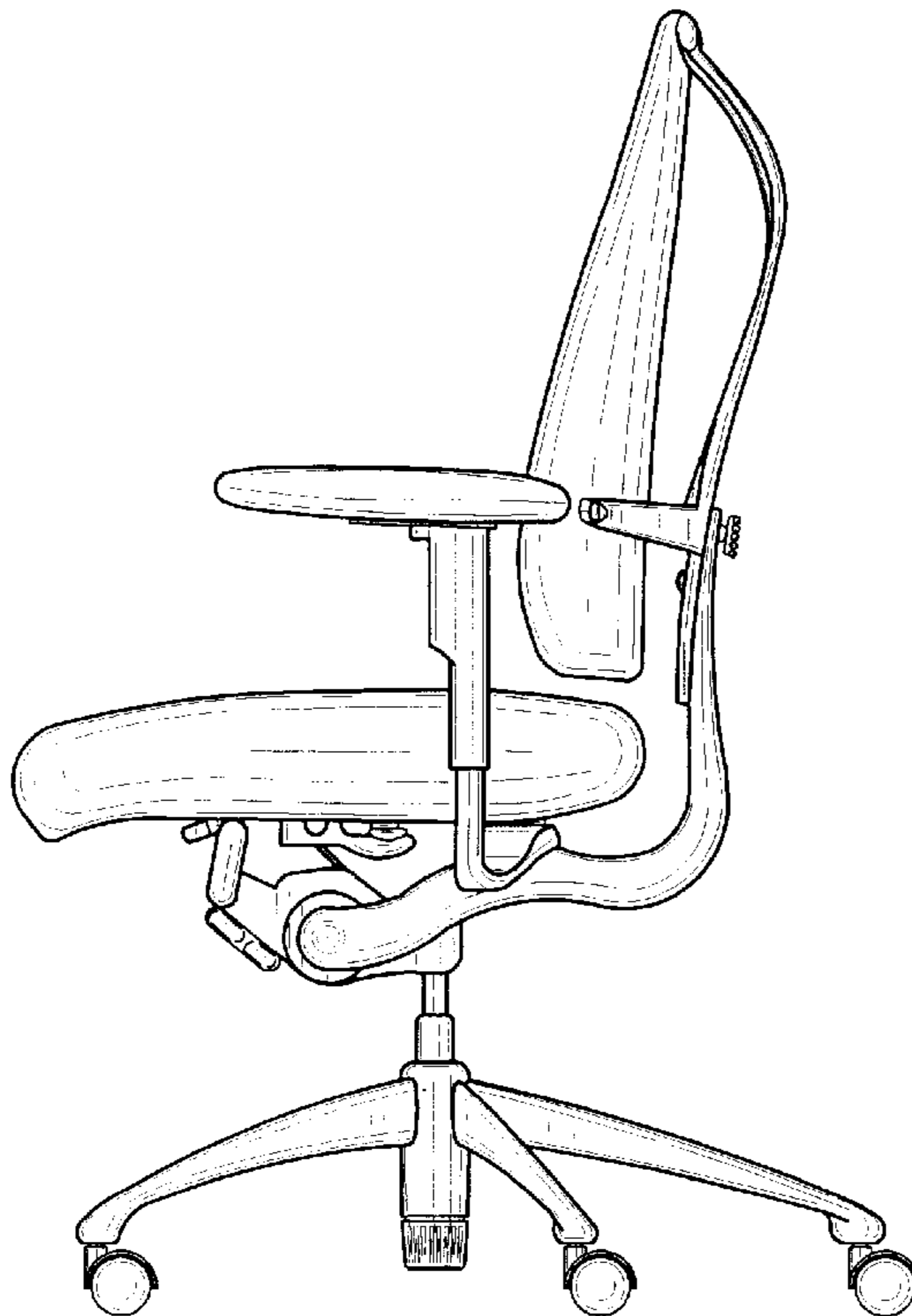


FIG. 6

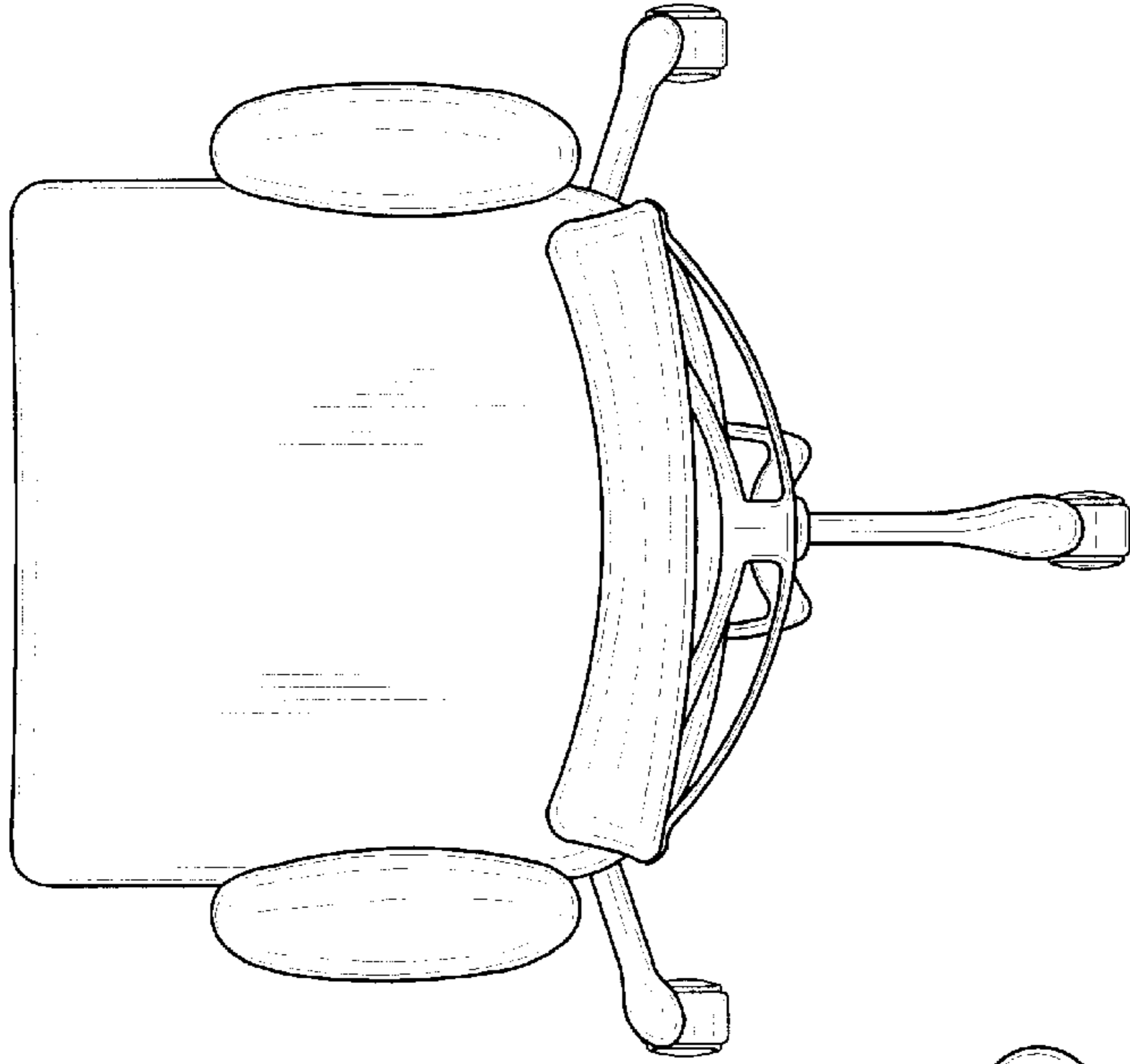


FIG. 5

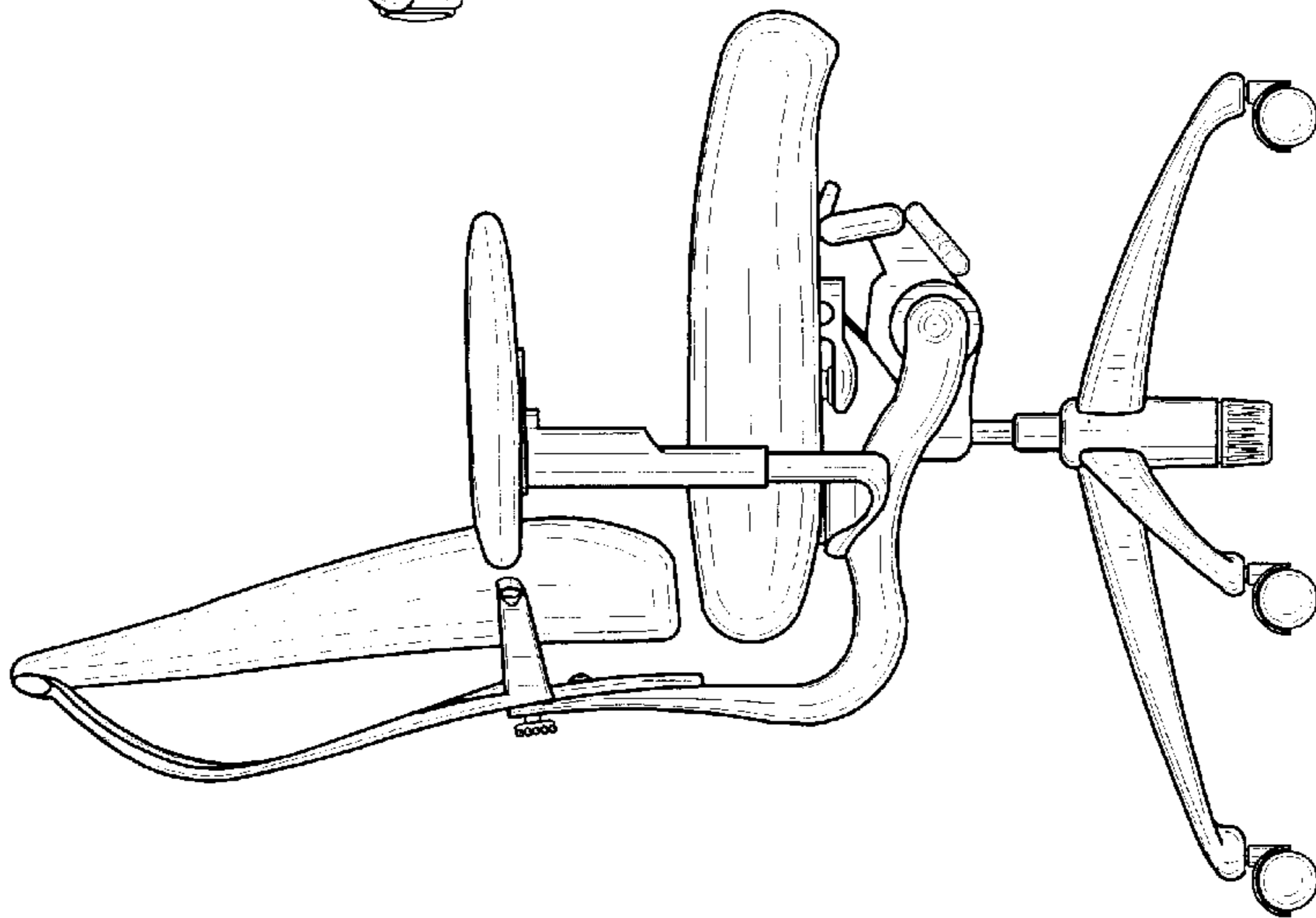


FIG. 7

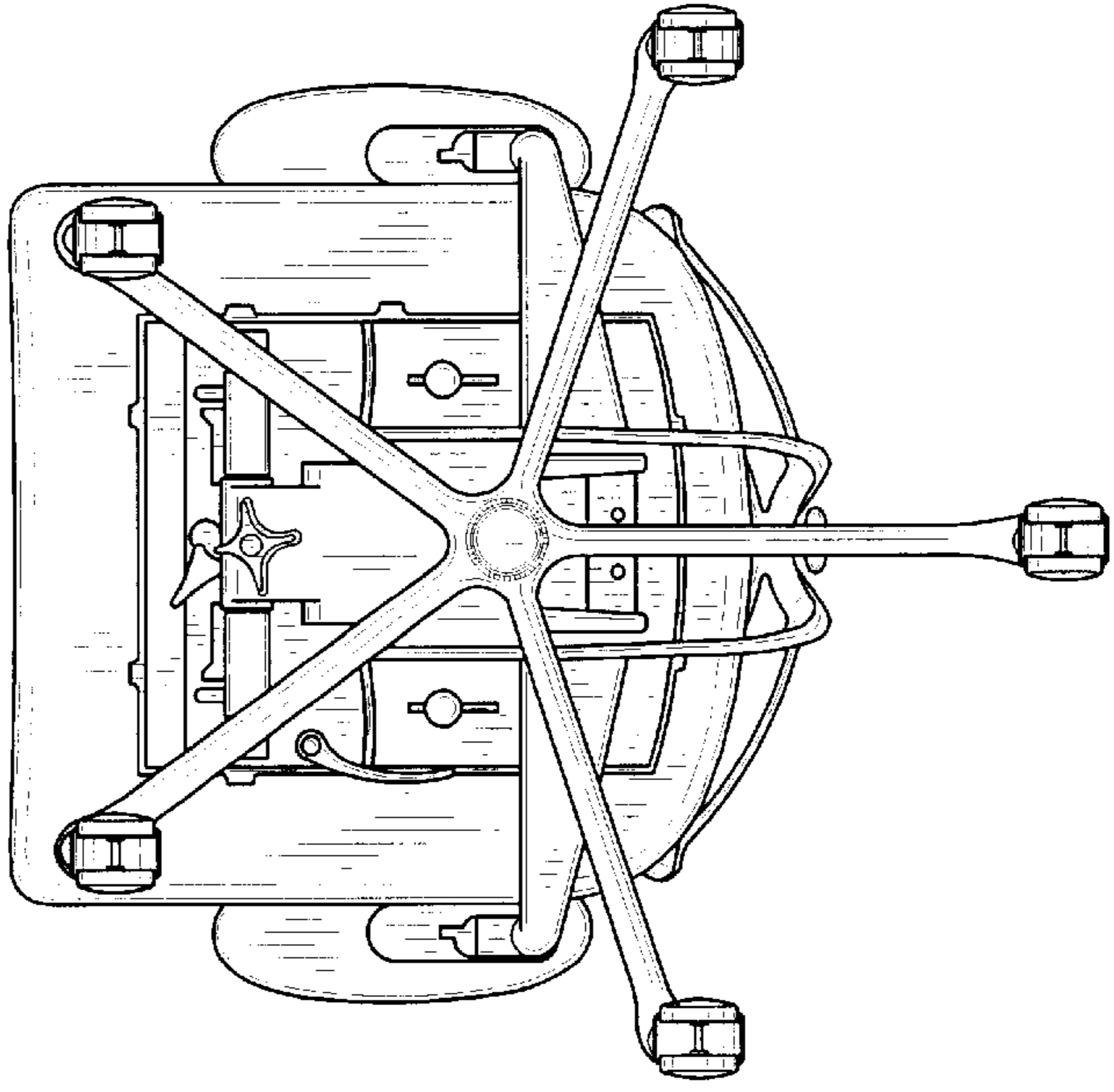


FIG. 9

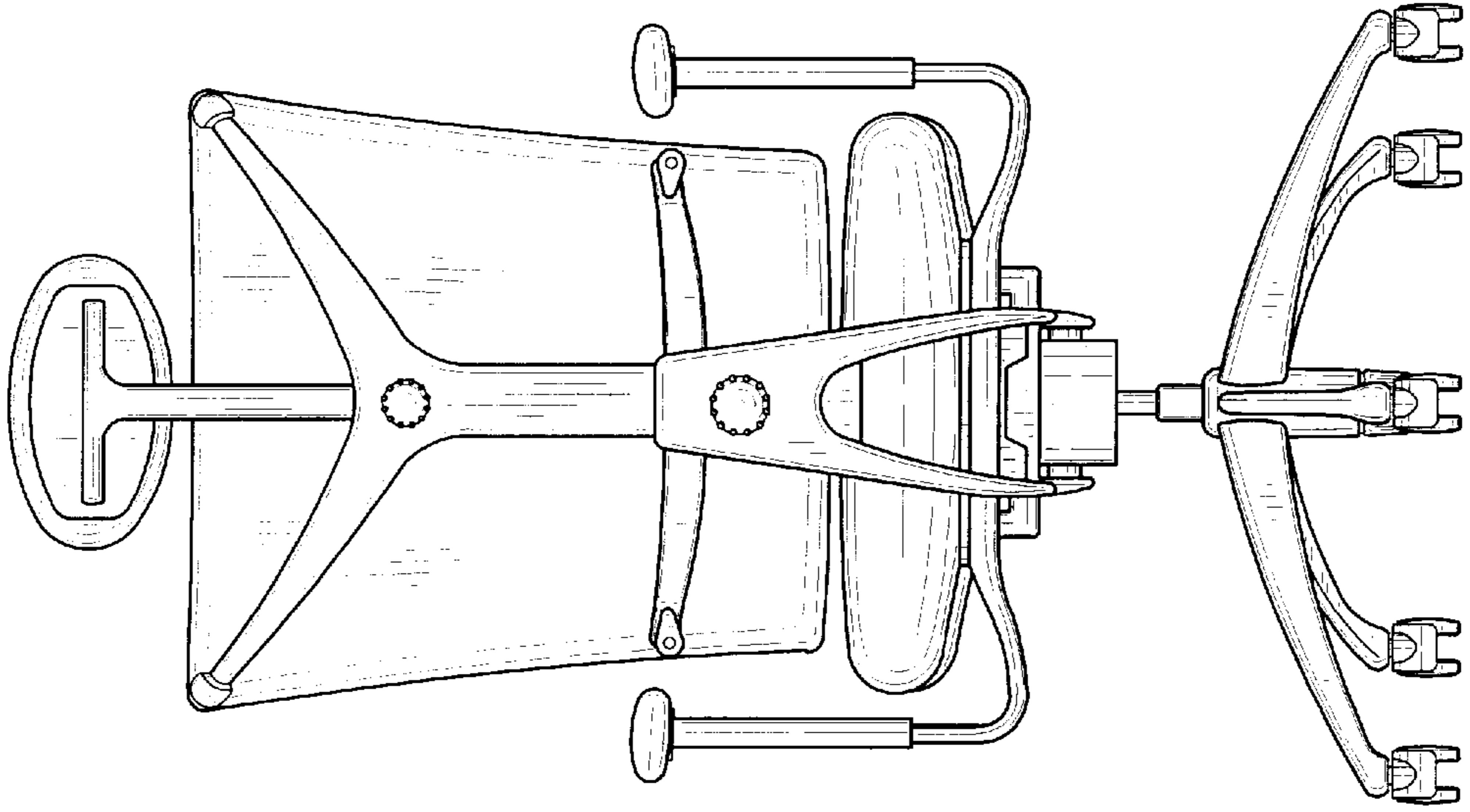


FIG. 8

