



US00D437687S

(12) **United States Design Patent**
Salz

(10) **Patent No.: US D437,687 S**

(45) **Date of Patent: ** *Feb. 20, 2001**

(54) **REMOVABLE INNER BAG FOR A HANDBAG**

(76) Inventor: **Julie Salz**, 5833 11th St. North,
Arlington, VA (US) 22205

(*) Notice: This patent is subject to a terminal disclaimer.

(**) Term: **14 Years**

(21) Appl. No.: **29/109,328**

(22) Filed: **Aug. 16, 1999**

(51) **LOC (7) Cl. 03-99**

(52) **U.S. Cl. D3/324**

(58) **Field of Search** D3/232, 245, 285,
D3/289, 301, 319, 321, 323, 324; 150/105,
113, 116-117; 190/110-113, 903; 206/170,
227, 541, 550; 224/901.2, 901.6; 294/903

(56) **References Cited**

U.S. PATENT DOCUMENTS

D. 224,072	6/1972	Rosenblum	D3/242
D. 269,646	* 7/1983	Schaer	D3/301
D. 334,661	* 4/1993	Kohn	D3/319
D. 403,863	* 1/1999	Briganti	D3/318
D. 408,146	* 4/1999	Briganti	D3/319
840,086	1/1907	Oswald	150/117
1,042,934	9/1912	Levy	150/131
1,972,577	9/1934	Walinsky	150/113
2,104,439	1/1938	Schein	150/131
2,464,312	3/1949	Holden	D6/318
3,451,454	6/1969	Davis	150/113
3,881,534	* 5/1975	Gist	224/901.2

3,963,102	* 6/1976	Carp	190/110
4,260,004	* 4/1981	Domke	190/110
4,263,951	4/1981	Siegel	150/111
4,453,623	* 6/1984	Horii	190/102
4,907,633	* 3/1990	Eckstein	190/116
4,995,436	* 2/1991	Cantor	190/110
5,038,842	* 8/1991	Huang	D3/233

FOREIGN PATENT DOCUMENTS

1117240 5/1956 (FR) .

* cited by examiner

Primary Examiner—Louis S. Zarfes

Assistant Examiner—Robert A. Delehanty

(74) *Attorney, Agent, or Firm*—Shanks & Herbert

(57) **CLAIM**

The ornamental design for a removable inner bag for a handbag, as shown and described.

DESCRIPTION

FIG. 1 is a front, side perspective view of the removable inner bag for a hand bag shown broken away in the middle to indicate indeterminate length;

FIG. 2 is a front elevation view thereof;

FIG. 3 is a rear elevation view thereof;

FIG. 4 is a left side elevation view thereof;

FIG. 5 is a right side elevation view thereof;

FIG. 6 is a top plan view thereof; and,

FIG. 7 is a bottom plan view thereof.

The broken line showing of a hand bag is for illustrative purposes only and forms no part of the claimed design.

1 Claim, 3 Drawing Sheets

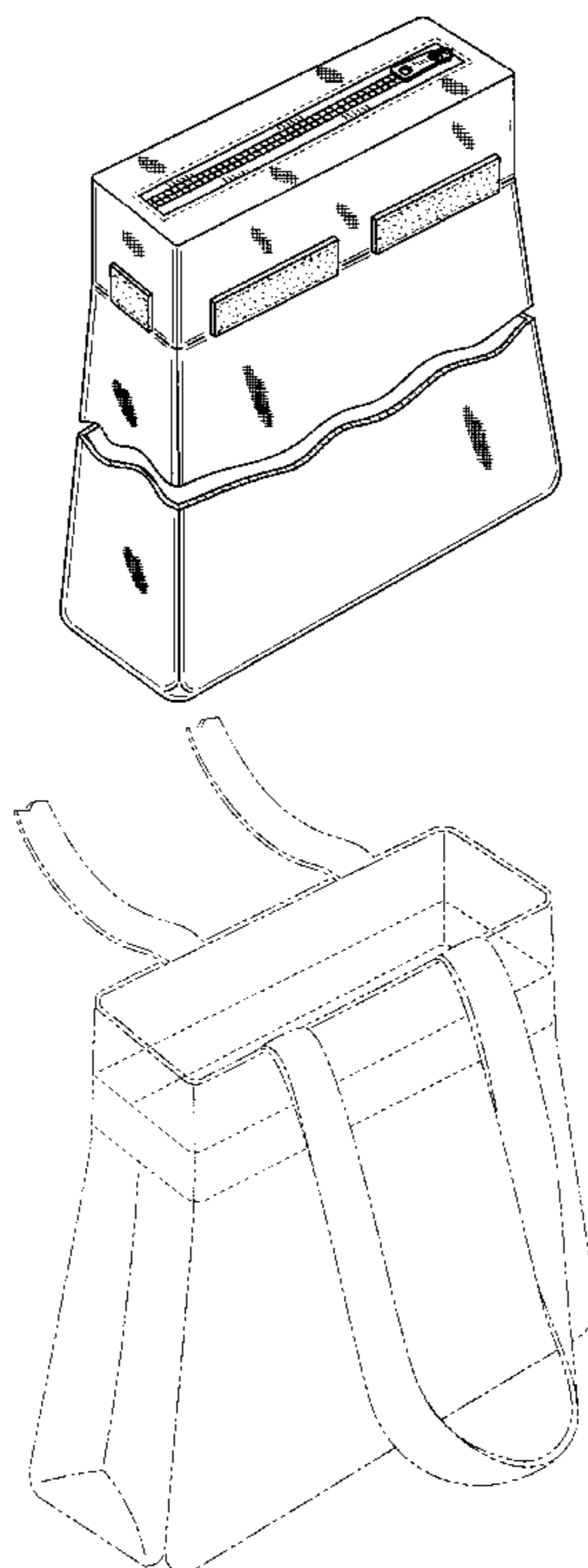


FIG. 1

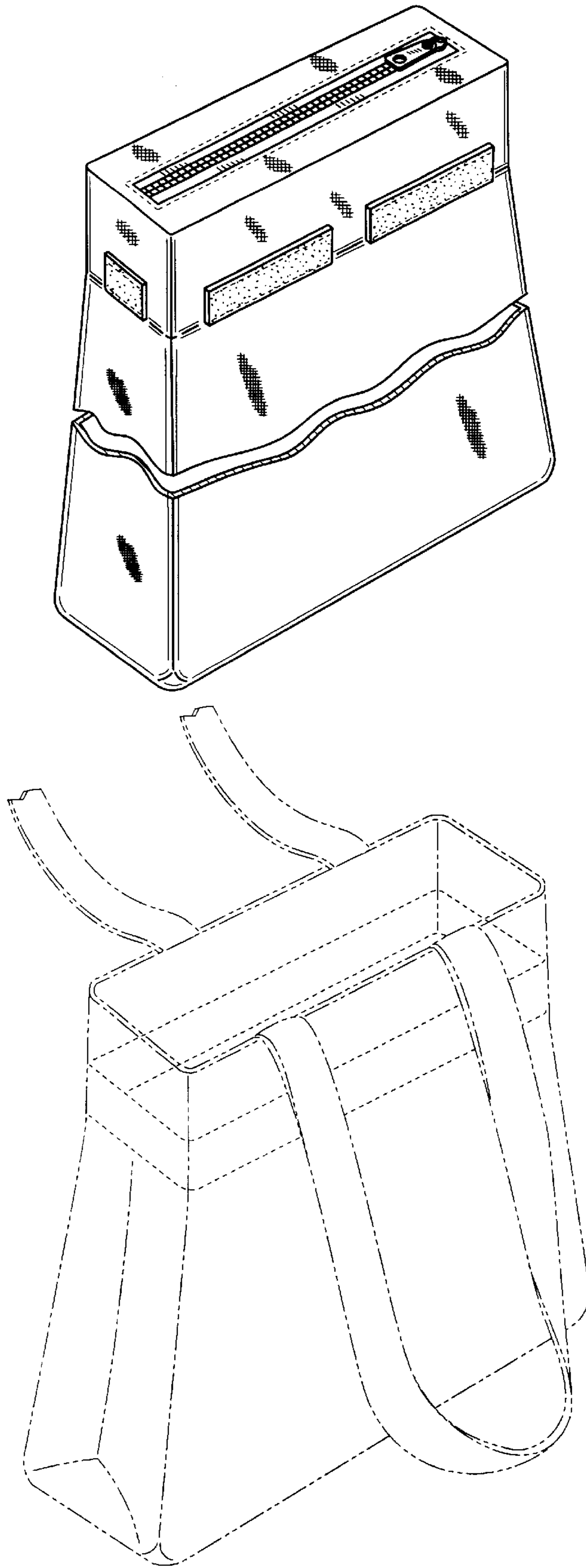


FIG. 2

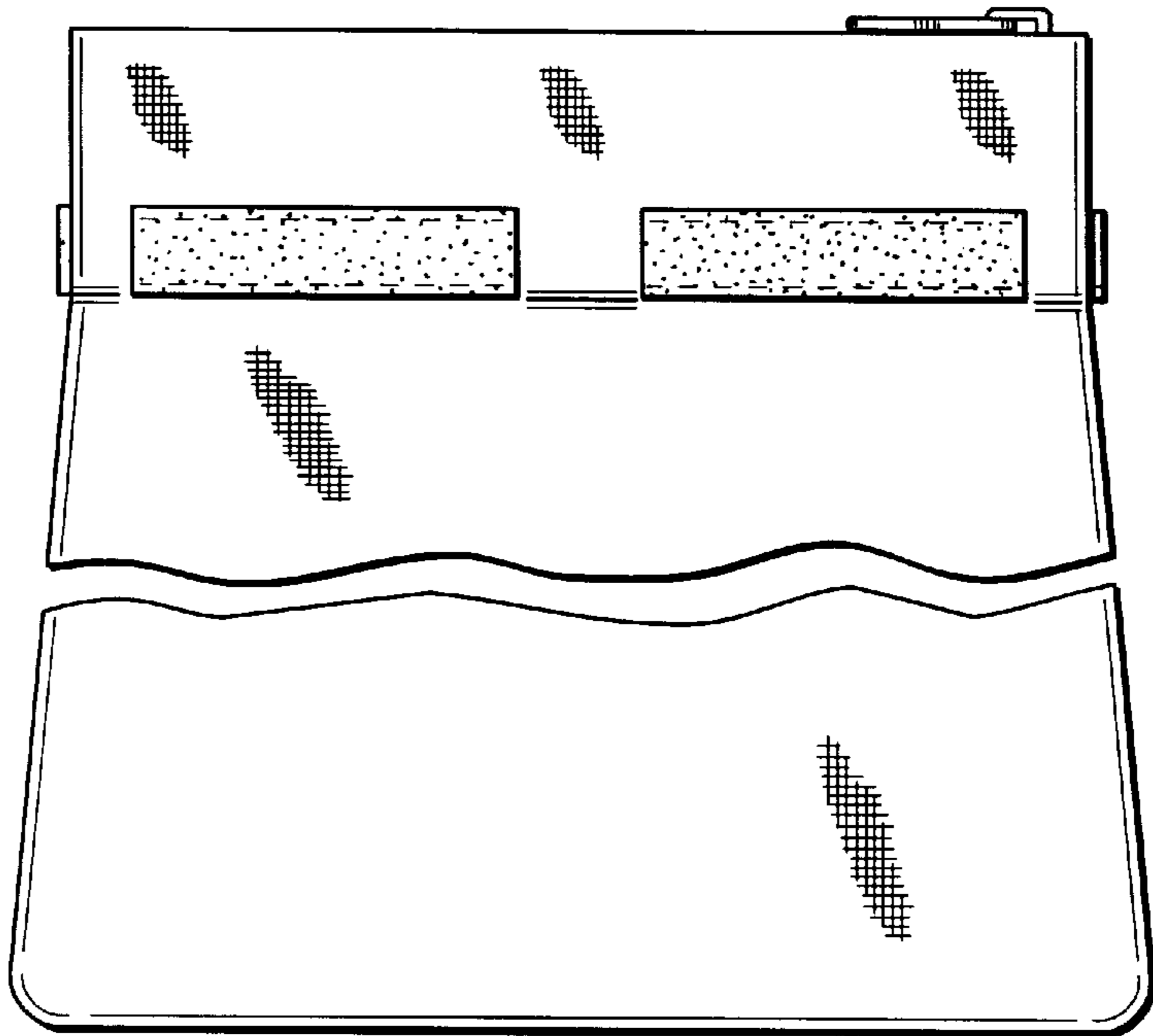


FIG. 3

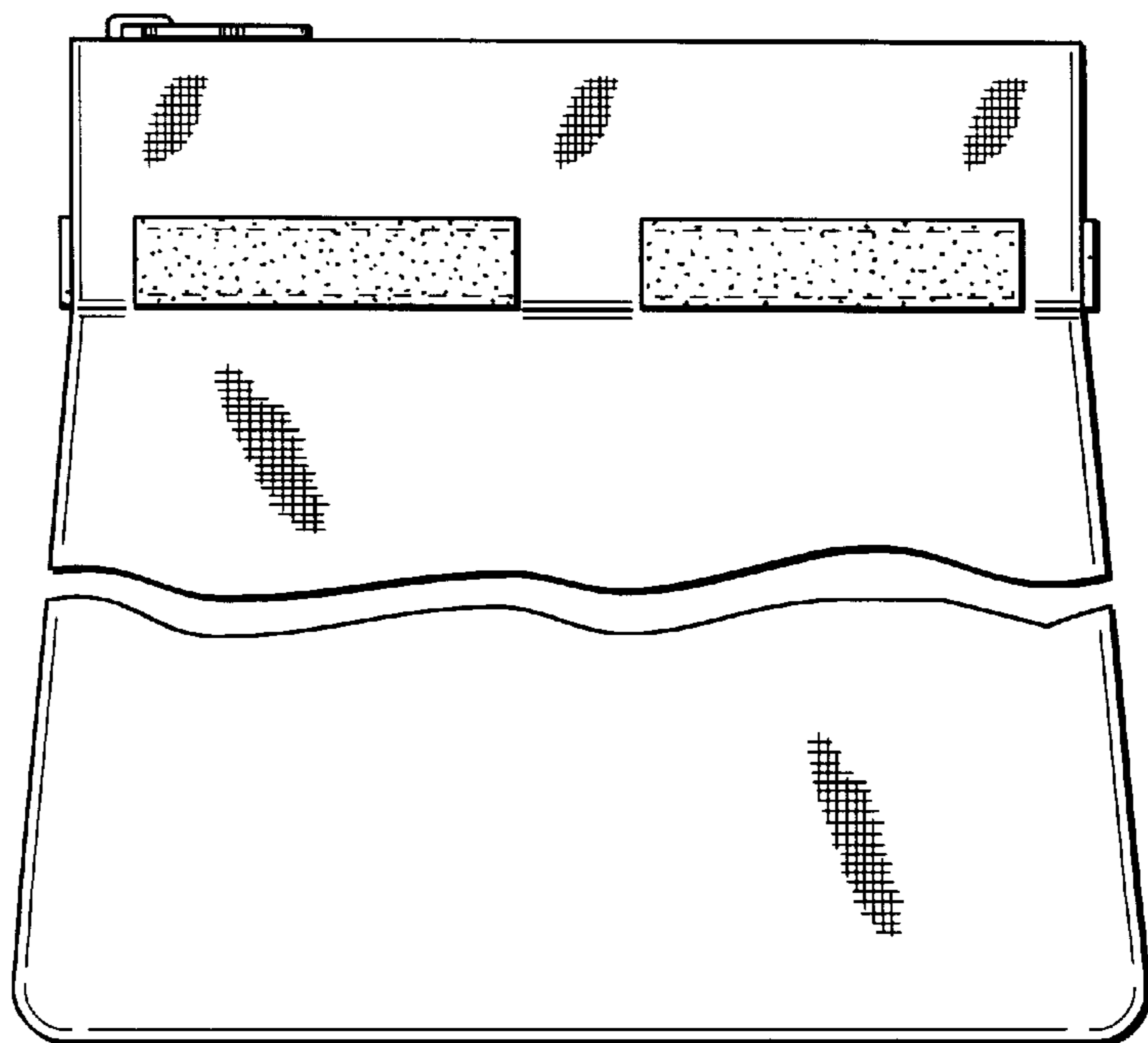


FIG. 4

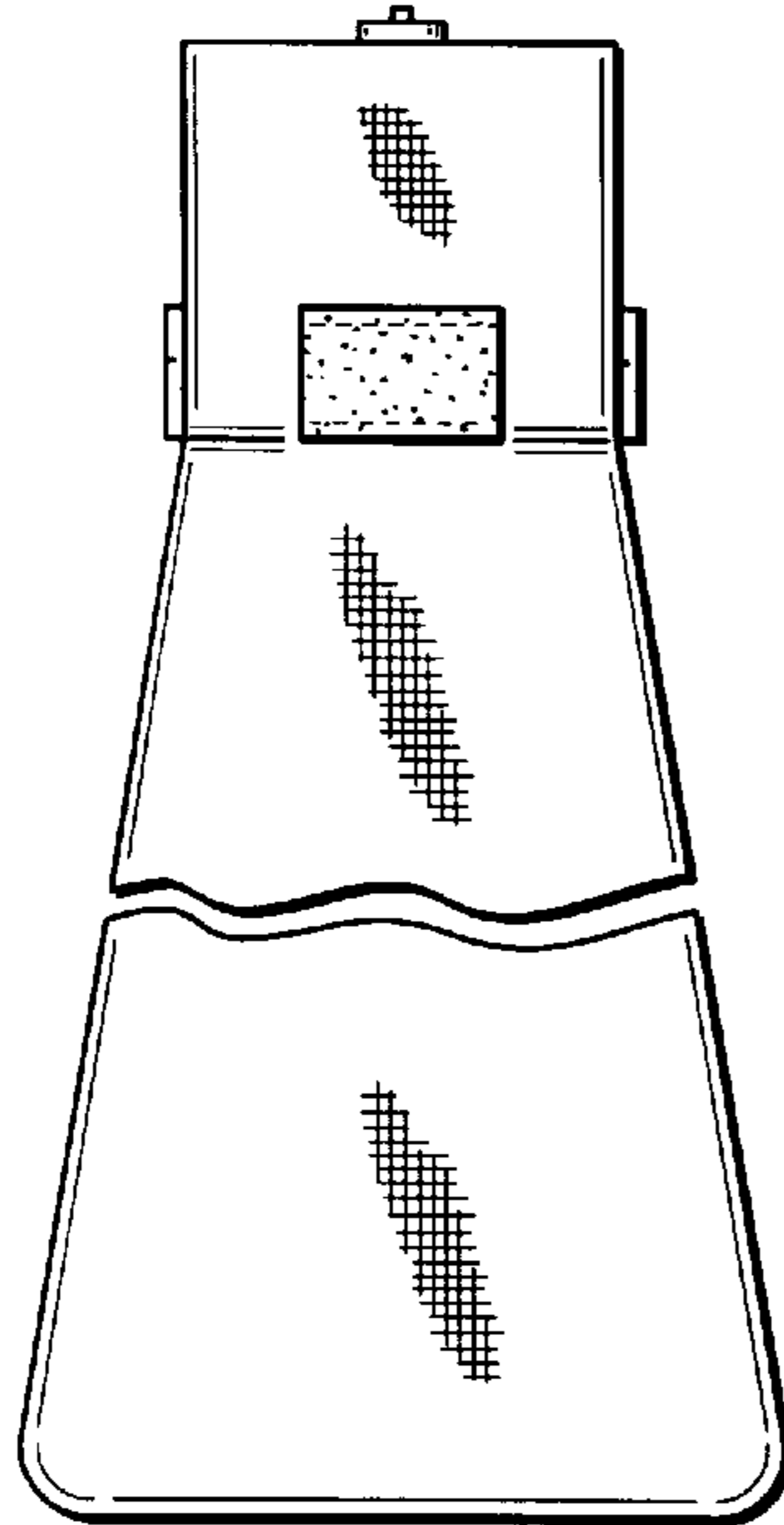


FIG. 5

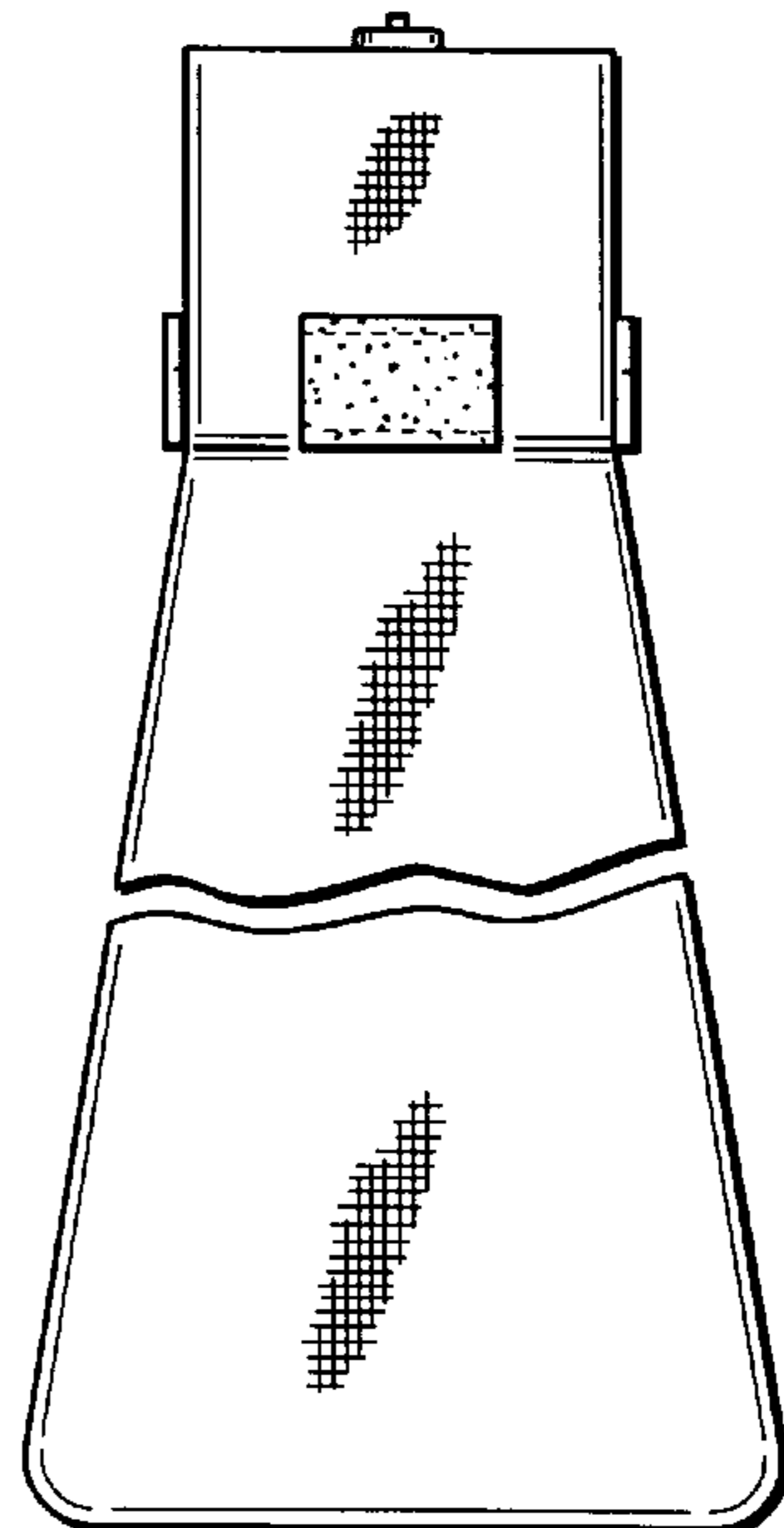


FIG. 6

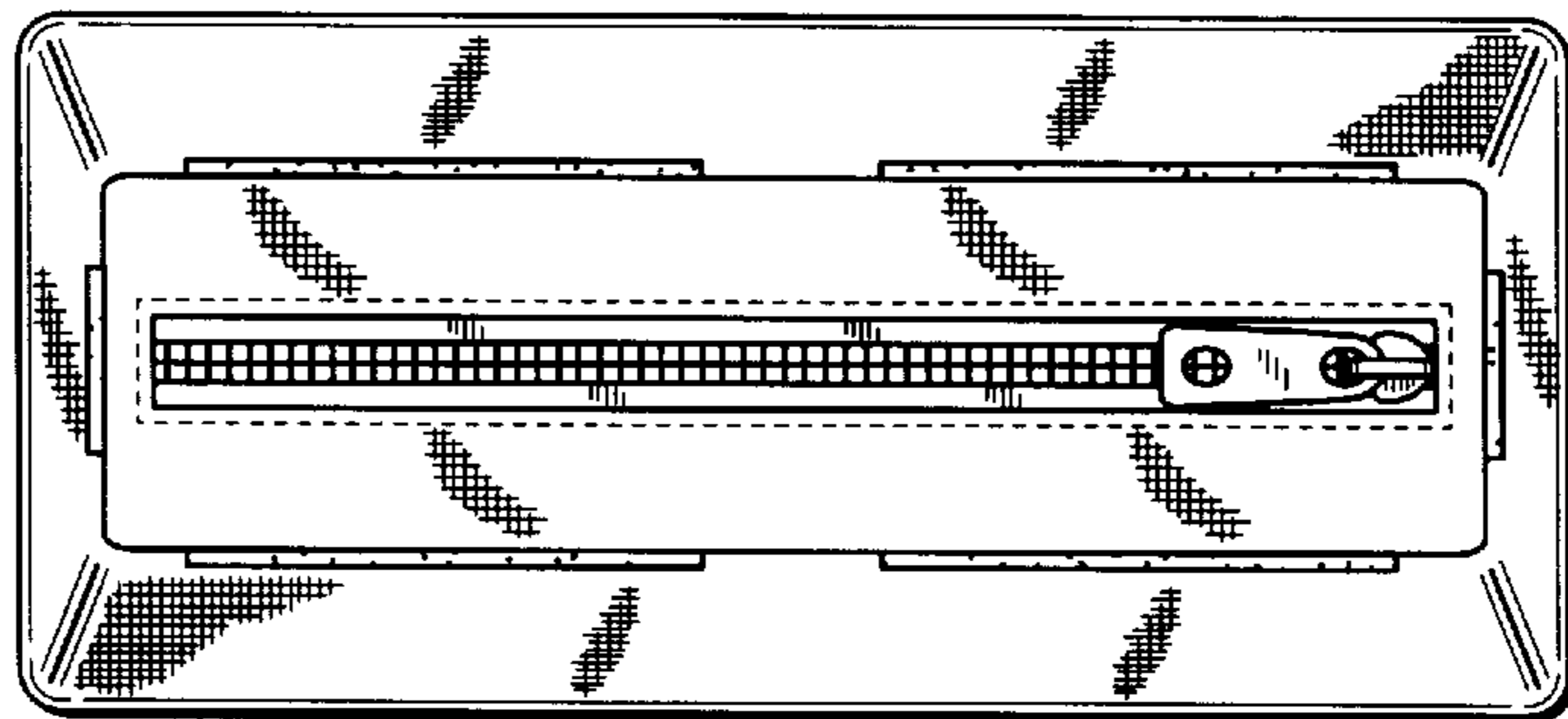


FIG. 7

