



US00D437685S

(12) **United States Design Patent**
Liu

(10) **Patent No.:** **US D437,685 S**

(45) **Date of Patent:** **** Feb. 20, 2001**

(54) **ELONGATED STORAGE CONTAINER**
(75) Inventor: **Anita Suk Ping Liu**, Orlando, FL (US)
(73) Assignee: **Dart Industries Inc.**, Orlando, FL (US)
(**) Term: **14 Years**

(21) Appl. No.: **29/121,710**
(22) Filed: **Apr. 12, 2000**

(51) **LOC (7) Cl.** **03-01**
(52) **U.S. Cl.** **D3/294; D7/629; D9/424**
(58) **Field of Search** **D3/272, 273, 294,**
D3/302; D7/629; D9/420, 423, 424, 425;
206/508, 503, 518; 220/334, 335, 337

(56) **References Cited**

U.S. PATENT DOCUMENTS

D. 319,947	9/1991	Ryan	D7/626
D. 357,161	4/1995	Booten	D7/605
D. 365,251	12/1995	Lo	D7/629
D. 367,211	2/1996	Cautereels	D7/629
D. 370,345	* 6/1996	Wolff	D9/425
D. 371,056	6/1996	Sullivan	D7/709
D. 374,155	10/1996	Feer	D7/602
D. 376,314	* 12/1996	Krupa	D9/425
D. 382,795	* 8/1997	Abayhan et al.	D9/425
D. 382,796	* 8/1997	Mangla	D9/425
D. 384,247	9/1997	Smith	D7/542
D. 391,762	* 3/1998	Ahern, Jr.	D3/302
D. 392,881	3/1998	Bulcher	D9/425
D. 412,786	* 8/1999	Killinger	D3/273
1,542,115	6/1925	Weis	.	
2,125,856	8/1938	De Witt	.	
2,615,563	10/1952	Sundberg et al.	.	
2,623,656	12/1952	Rottau	.	
2,672,232	3/1954	Kessell	.	
3,025,947	3/1962	Hammer	.	

3,275,329	9/1966	Lieberman et al.	.	
3,391,816	7/1968	Swett	.	
3,487,972	1/1970	Swett	.	
3,811,559	5/1974	Carter	.	
3,908,852	9/1975	Ricobene	206/550
3,961,708	6/1976	Von Dohlen	206/435
4,216,862	8/1980	Daenen	206/541
4,225,052	9/1980	Tector et al.	.	
4,298,133	11/1981	Davis	.	
4,499,998	2/1985	Carlson	206/541
4,807,776	2/1989	Cortopassi	.	
5,012,971	5/1991	Cozzi et al.	.	
5,027,972	7/1991	Bartholomew	220/526
5,323,926	6/1994	Pomroy et al.	220/526
5,325,969	7/1994	Gordon et al.	206/546
5,344,024	9/1994	Cohu	206/526
5,462,192	10/1995	Pomroy	220/526
5,533,639	7/1996	Myers	220/23.8
5,664,671	9/1997	Nedblake	206/217
5,699,925	12/1997	Petruzzi	220/4.27

* cited by examiner

Primary Examiner—Philip S. Hyder
(74) *Attorney, Agent, or Firm*—Taylor J. Ross

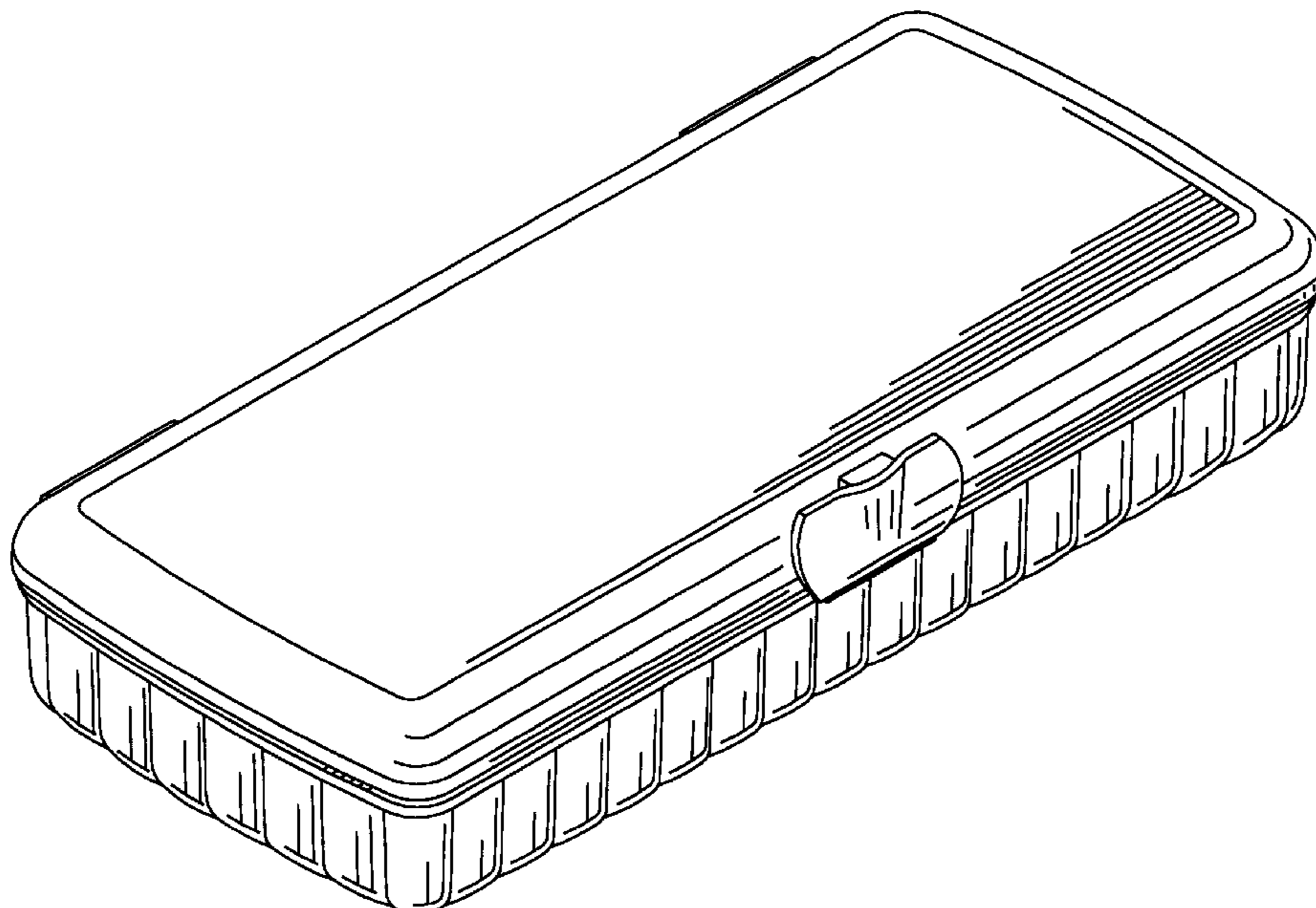
(57) **CLAIM**

The ornamental design for an elongated storage container, as shown and described.

DESCRIPTION

FIG. 1 is a top, side and front perspective view of an elongated storage container showing the new design; FIG. 2 is a left side elevation view thereof; FIG. 3 is a right side elevation view thereof; FIG. 4 is a front elevation view thereof; FIG. 5 is a rear elevation view thereof; FIG. 6 is a top plan view thereof; and, FIG. 7 is a bottom plan view thereof.

1 Claim, 3 Drawing Sheets



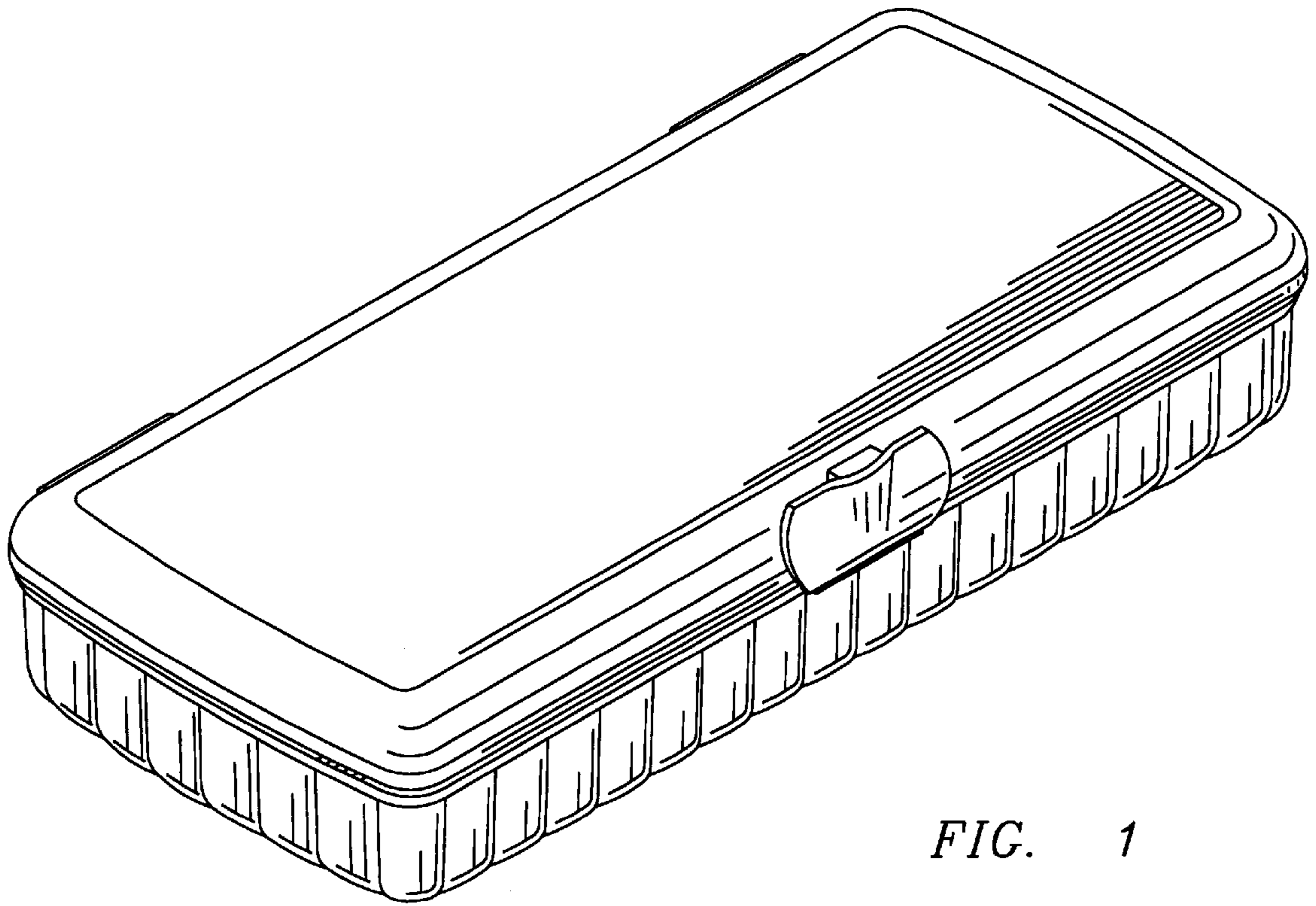


FIG. 1

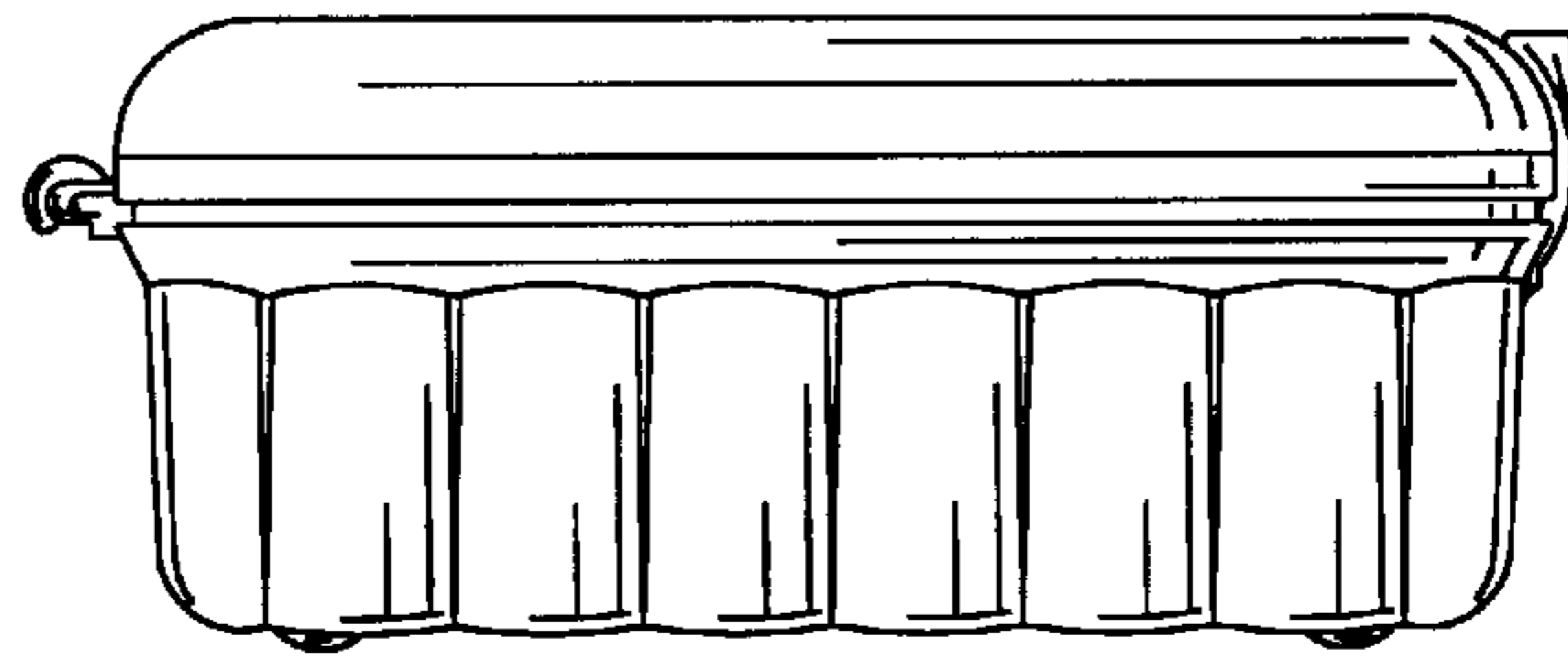


FIG. 2

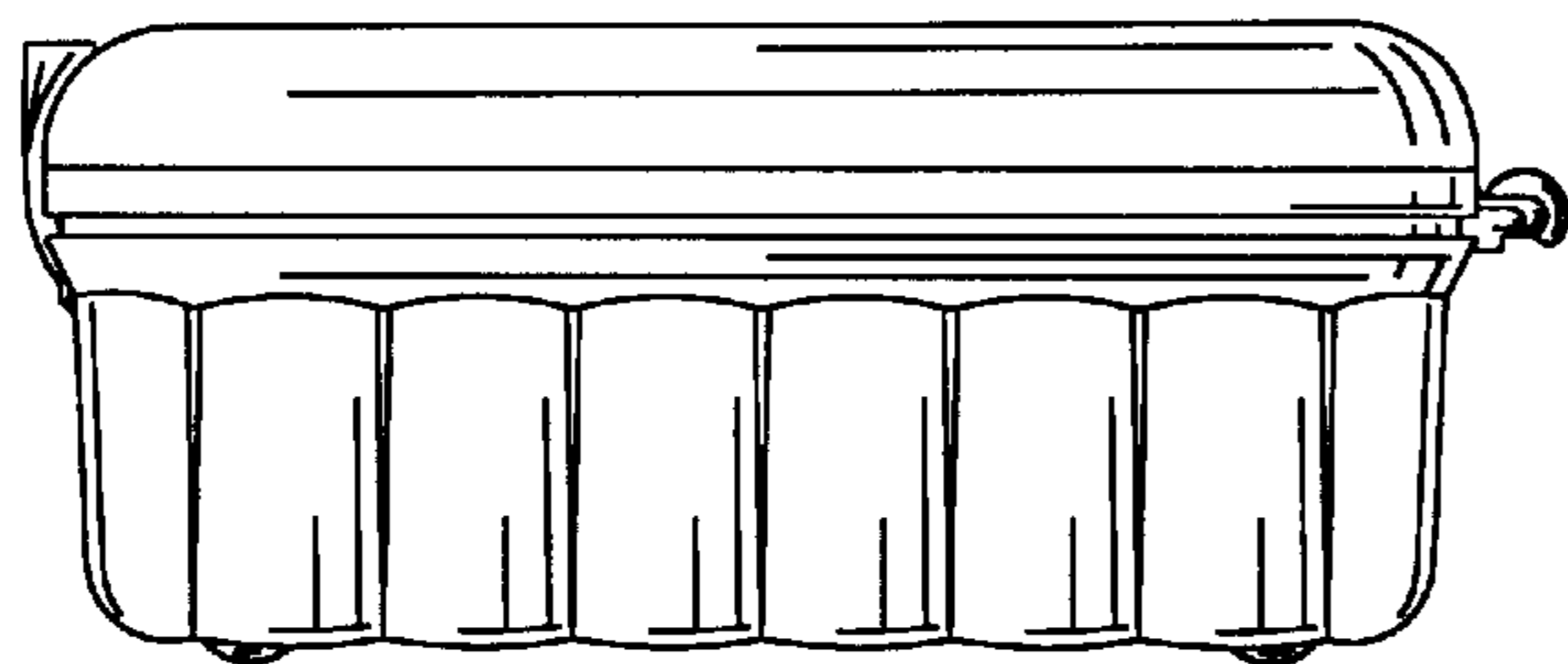


FIG. 3

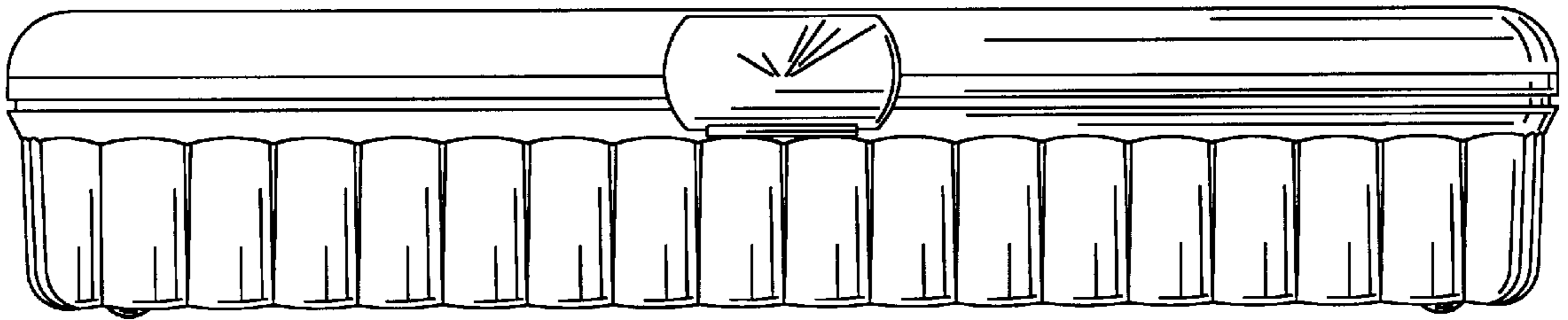


FIG. 4

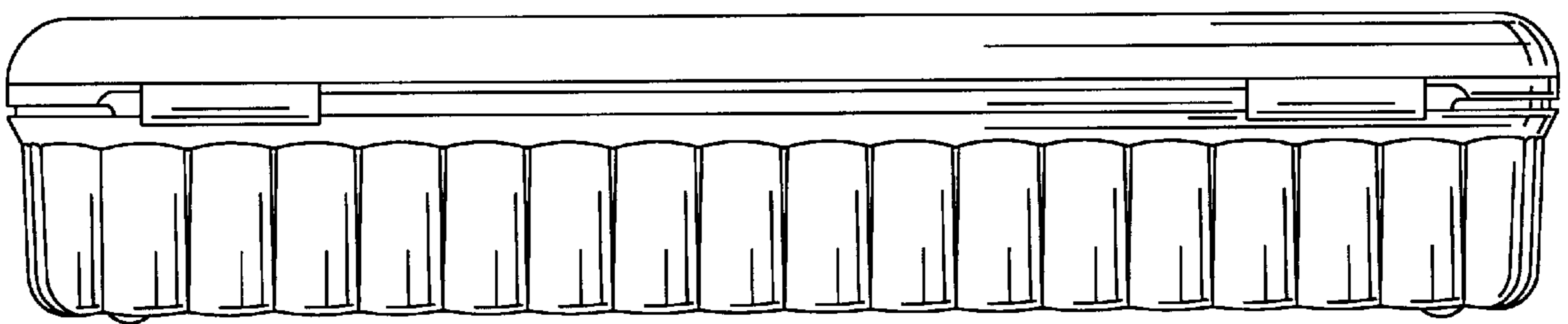


FIG. 5

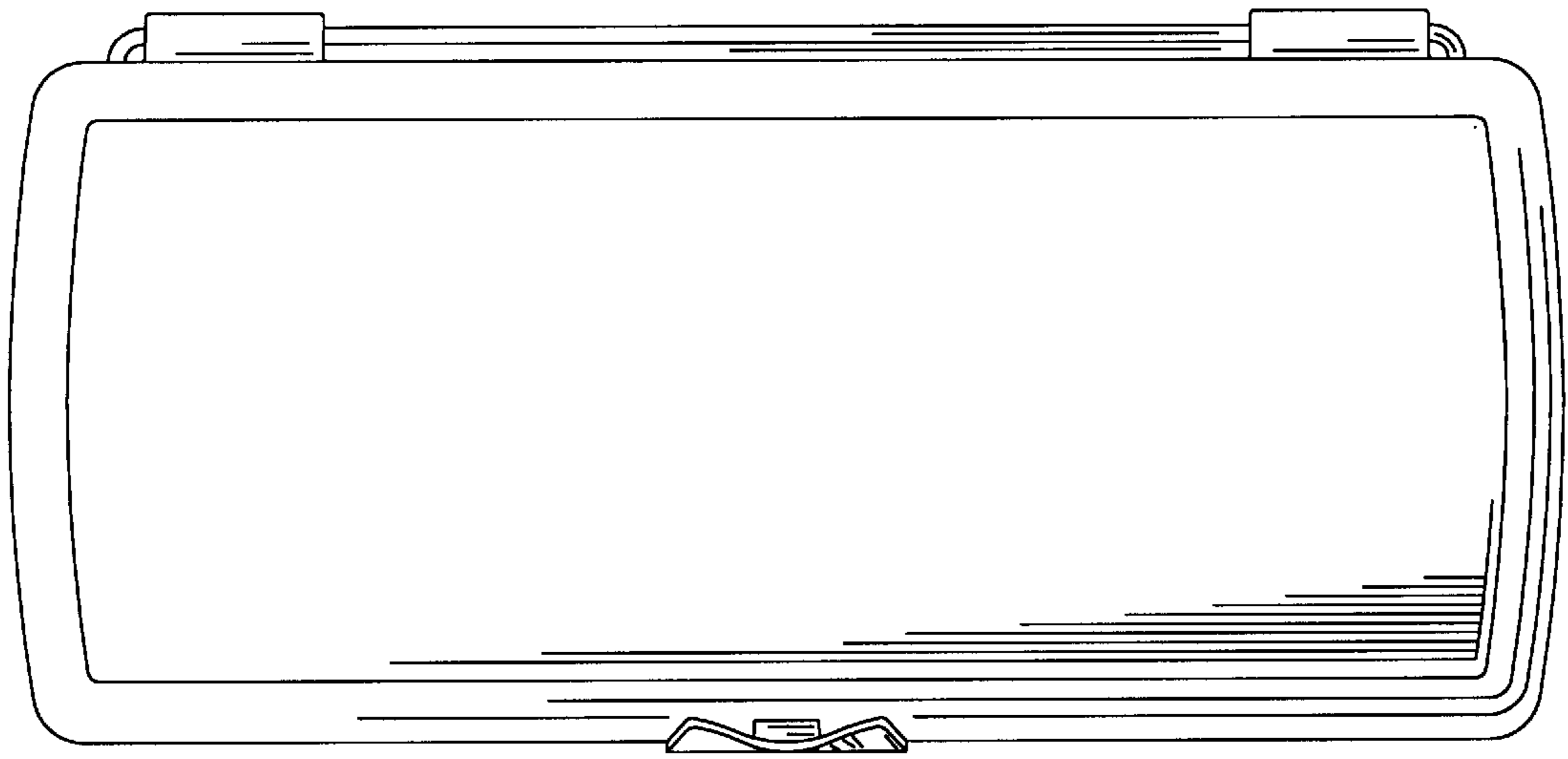


FIG. 6

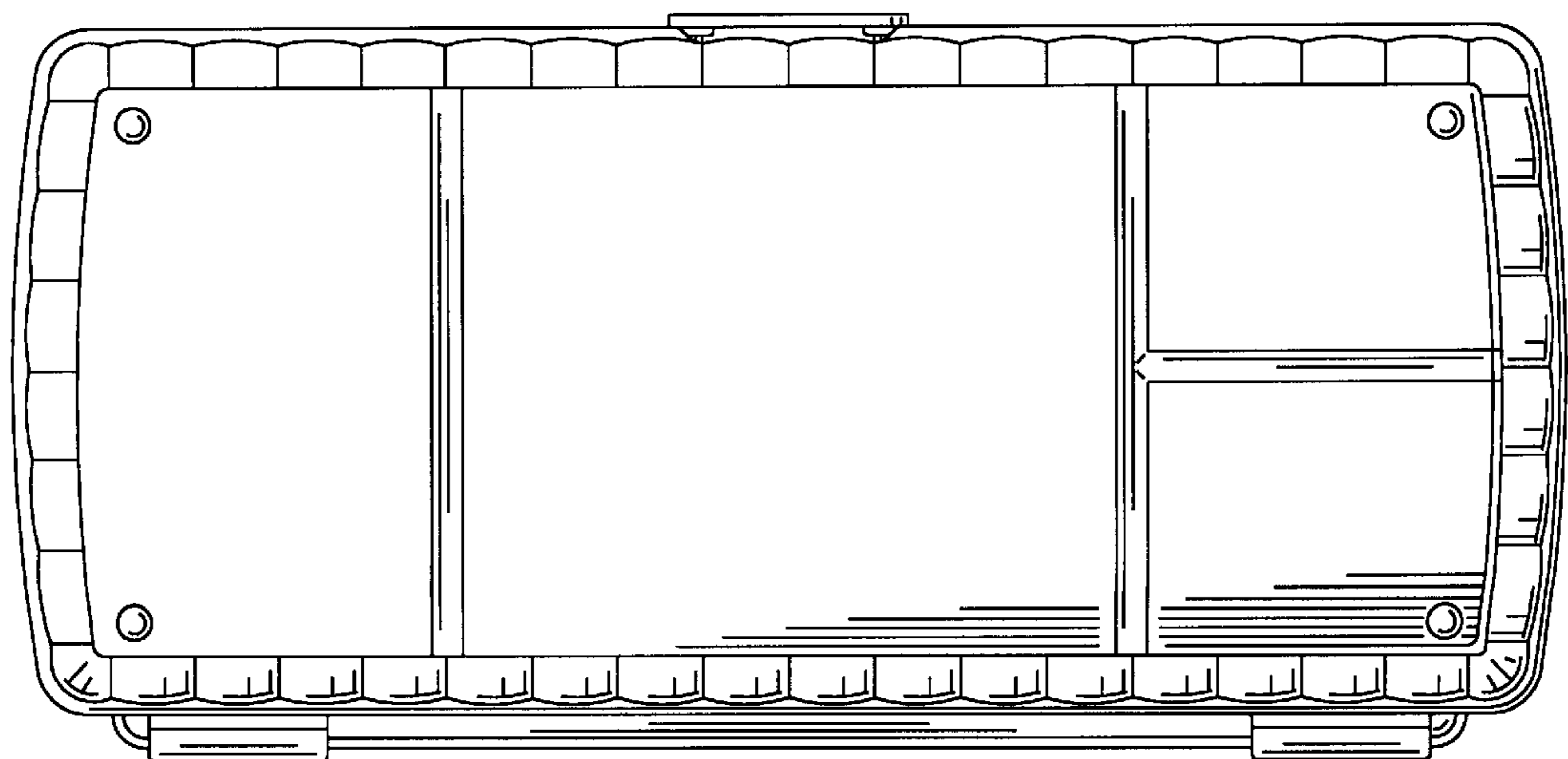


FIG. 7