



US00D437684S

(12) **United States Design Patent**  
**Streich et al.**

(10) **Patent No.: US D437,684 S**

(45) **Date of Patent: \*\* Feb. 20, 2001**

(54) **TOOL CONTAINER**

(75) Inventors: **John P. Streich**, Appleton, WI (US);  
**Gregory S. Snider**, Bel Air, MD (US)

(73) Assignee: **Black & Decker Inc.**, Newark, DE  
(US)

(\*\*) Term: **14 Years**

(21) Appl. No.: **29/109,211**

(22) Filed: **Aug. 11, 1999**

**Related U.S. Application Data**

(63) Continuation-in-part of application No. 29/092,266, filed on  
Aug. 14, 1998, now Pat. No. Des. 418,977.

(51) **LOC (7) Cl.** ..... **03-01**

(52) **U.S. Cl.** ..... **D3/273; D3/294; D3/905**

(58) **Field of Search** ..... **D3/272, 273, 294,**  
**D3/282, 281, 905; D9/420, 423, 424; 206/349,**  
**372, 373, 379**

(56) **References Cited**

**U.S. PATENT DOCUMENTS**

- D. 167,868 9/1952 Selikoff et al. .
- D. 178,627 9/1956 Baratelli .
- D. 183,777 10/1958 Weiss .
- D. 221,317 7/1971 Muller .
- D. 229,366 11/1973 Yonce .
- D. 264,396 5/1982 Harvey et al. .
- D. 269,648 7/1983 Wilcox et al. .
- D. 287,906 1/1987 Tsuji et al. .
- D. 291,946 9/1987 Dottori et al. .
- D. 311,644 10/1990 Chapin et al. .
- D. 314,669 2/1991 Kunimune .
- D. 328,189 7/1992 Hillinger .
- D. 329,331 9/1992 Hobson .
- 337,888 3/1886 Swan .
- D. 343,063 1/1994 Chen ..... D3/905
- D. 343,120 1/1994 Lapsker et al. .
- D. 345,650 4/1994 Boyd .
- D. 347,114 \* 5/1994 Tengvall ..... D3/905
- D. 356,891 4/1995 Hobson .

- D. 358,257 5/1995 Sidabras et al. .
- D. 374,988 10/1996 Hillinger ..... D3/294
- D. 379,715 6/1997 Yemini ..... D3/282
- D. 382,115 8/1997 Chang ..... D3/282
- D. 382,709 8/1997 Cuneo ..... D3/282
- D. 385,109 10/1997 Stäheli ..... D3/281
- D. 391,321 2/1998 Hill .
- D. 394,952 6/1998 Wei ..... D3/273
- D. 400,709 11/1998 Chang .
- D. 417,077 \* 11/1999 Sheu ..... D9/420
- 470,567 3/1892 Hitch .
- 498,455 5/1893 Bartlett .
- 1,927,110 9/1933 Bannister et al. .
- 2,035,033 3/1936 Wakefield .
- 2,487,174 11/1949 Petre .
- 2,508,951 5/1950 Kazimier .
- 2,601,101 6/1952 Derham .
- 2,792,934 5/1957 Rocchetti .

(List continued on next page.)

**FOREIGN PATENT DOCUMENTS**

1085810 7/1960 (DE) .

\* cited by examiner

*Primary Examiner*—Philip S. Hyder

(74) *Attorney, Agent, or Firm*—Harness, Dickey & Pierce  
P.L.C.

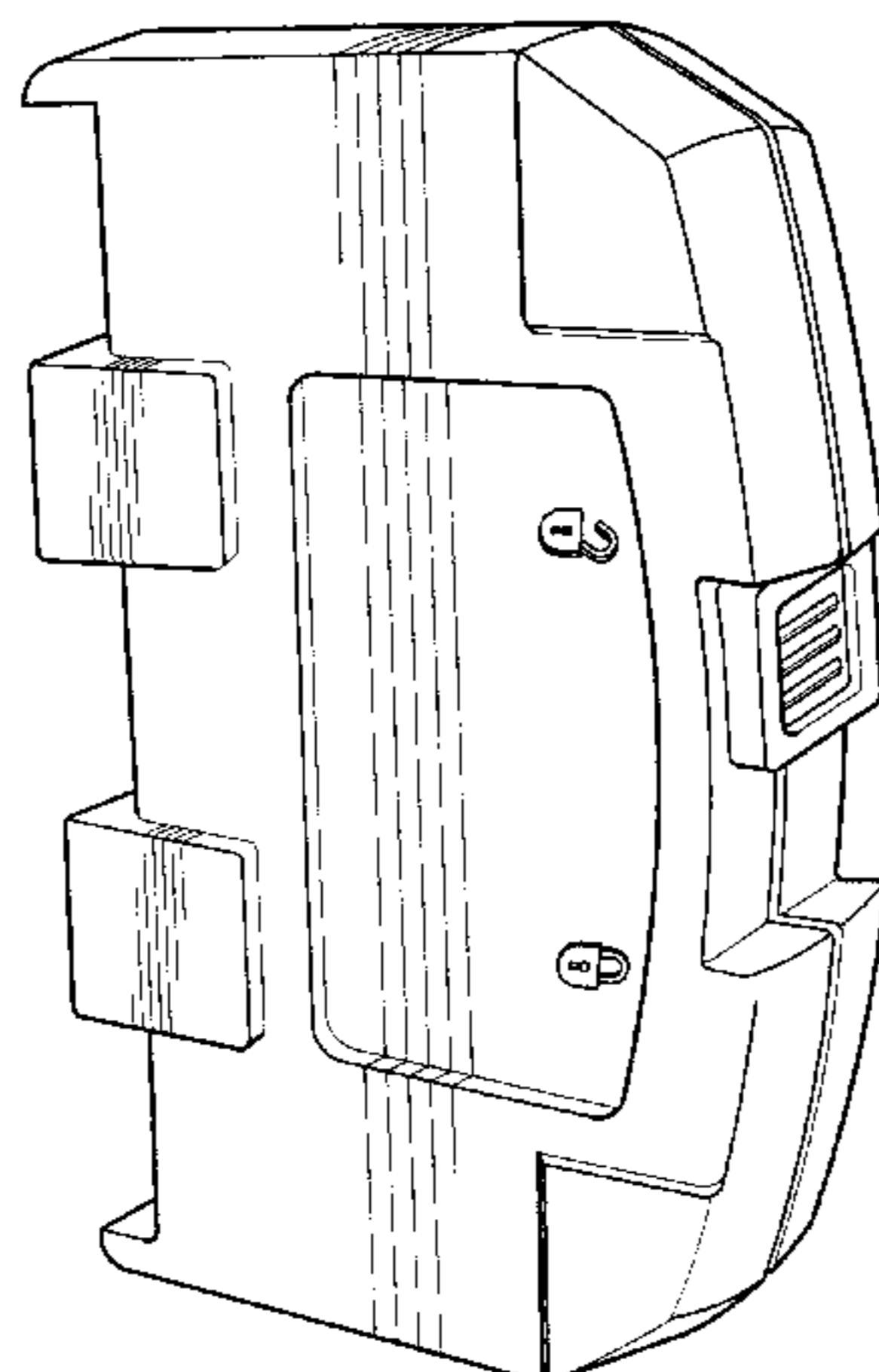
(57) **CLAIM**

The ornamental design for a tool container, as shown and  
described.

**DESCRIPTION**

FIG. 1 is a front exterior perspective view of a tool container  
in accordance with the present invention;  
FIG. 2 is a rear perspective view of FIG. 1;  
FIG. 3 is a front view of FIG. 1;  
FIG. 4 is a left side view of FIG. 1;  
FIG. 5 is a rear view of FIG. 1;  
FIG. 6 is a right side view of FIG. 1;  
FIG. 7 is a bottom plan view of FIG. 1; and,  
FIG. 8 is a top plan view of FIG. 1.

**1 Claim, 4 Drawing Sheets**



# US D437,684 S

Page 2

U.S. PATENT DOCUMENTS					
			5,248,033	9/1993 Kos et al. .... 206/334	
2,844,244	7/1958 Hanson .....	206/379	5,320,223	6/1994 Allen .	
2,880,857	4/1959 Parsons et al. .		5,341,926	8/1994 Leben .	
3,018,876	1/1962 Huot .		5,346,063	9/1994 Chow .....	206/373
3,154,192	10/1964 Cowley .		5,346,677	9/1994 Risk .	
3,186,197	6/1965 Gehrie .		5,368,164	11/1994 Bennett et al. ....	206/373
3,276,847	10/1966 Duff et al. .		5,398,810	3/1995 Yao Wang .....	206/373
3,346,137	10/1967 Ricci .		5,409,560	4/1995 Hammer et al. .	
3,367,483	2/1968 Studen .		5,429,235	7/1995 Chen .....	206/373
3,370,697	2/1968 Levey et al. .		5,433,929	7/1995 Riihimaki et al. .	
3,383,009	5/1968 Weikert .....	206/506	5,469,961	11/1995 Chang .	
3,426,890	2/1969 Bayer .		5,484,057	1/1996 Tzu-Ching .	
3,499,525	3/1970 Kanter .		5,509,731	4/1996 Callahan et al. .	
3,583,556	6/1971 Wagner .		5,520,285	5/1996 Mursch et al. .	
3,904,034	9/1975 Saunders .		5,524,915	6/1996 Liu .	
4,048,051	9/1977 Gretz .		5,525,314	6/1996 Hurson .	
4,216,862	8/1980 Daenen .....	206/541	5,526,929	6/1996 Wei .....	206/378
4,253,830	3/1981 Kazen et al. .		5,535,881	7/1996 Krivec .	
4,260,057	4/1981 Wall-Andersen .....	206/379	5,551,795	9/1996 Engibarov .	
4,340,140	7/1982 Wilcox et al. .		5,553,710	9/1996 Takama .	
4,489,830	12/1984 Charlebois et al. .		5,560,572	10/1996 Osborn et al. .	
4,576,307	3/1986 Frydenberg .		5,562,208	10/1996 Hasler et al. .	
4,615,464	10/1986 Byrns .		5,570,784	11/1996 Sidabras et al. ....	206/378
4,619,364	10/1986 Czopor, Jr. ....	206/379	5,588,240	12/1996 Zilliox .	
4,714,158	12/1987 Oltman et al. ....	206/349	5,603,415	2/1997 Balnis, Jr. .	
4,958,732	9/1990 Rau et al. .		5,624,037	4/1997 Kozo .	
4,974,740	12/1990 Niles et al. .		5,638,838	6/1997 Lombardi .	
5,031,768	7/1991 Fischer .....	206/370	5,638,964	6/1997 Ernst .	
5,056,661	10/1991 Balzano .		5,641,066	6/1997 Mascaro .	
5,114,007	5/1992 Chen .....	206/373	5,649,657	7/1997 Chuang .	
5,133,455	7/1992 Chow .....	206/374	5,651,941	7/1997 Stark et al. .	
5,156,271	10/1992 Toner .		5,676,254 *	10/1997 Cheng et al. ....	206/751
5,217,115	6/1993 Purkapile .		5,730,511	3/1998 Doan et al. .	
5,222,619	6/1993 Gregory .		5,803,254	9/1998 Vasudeva .	
5,248,030	9/1993 Tarozzi .		5,826,719	10/1998 Chen .	

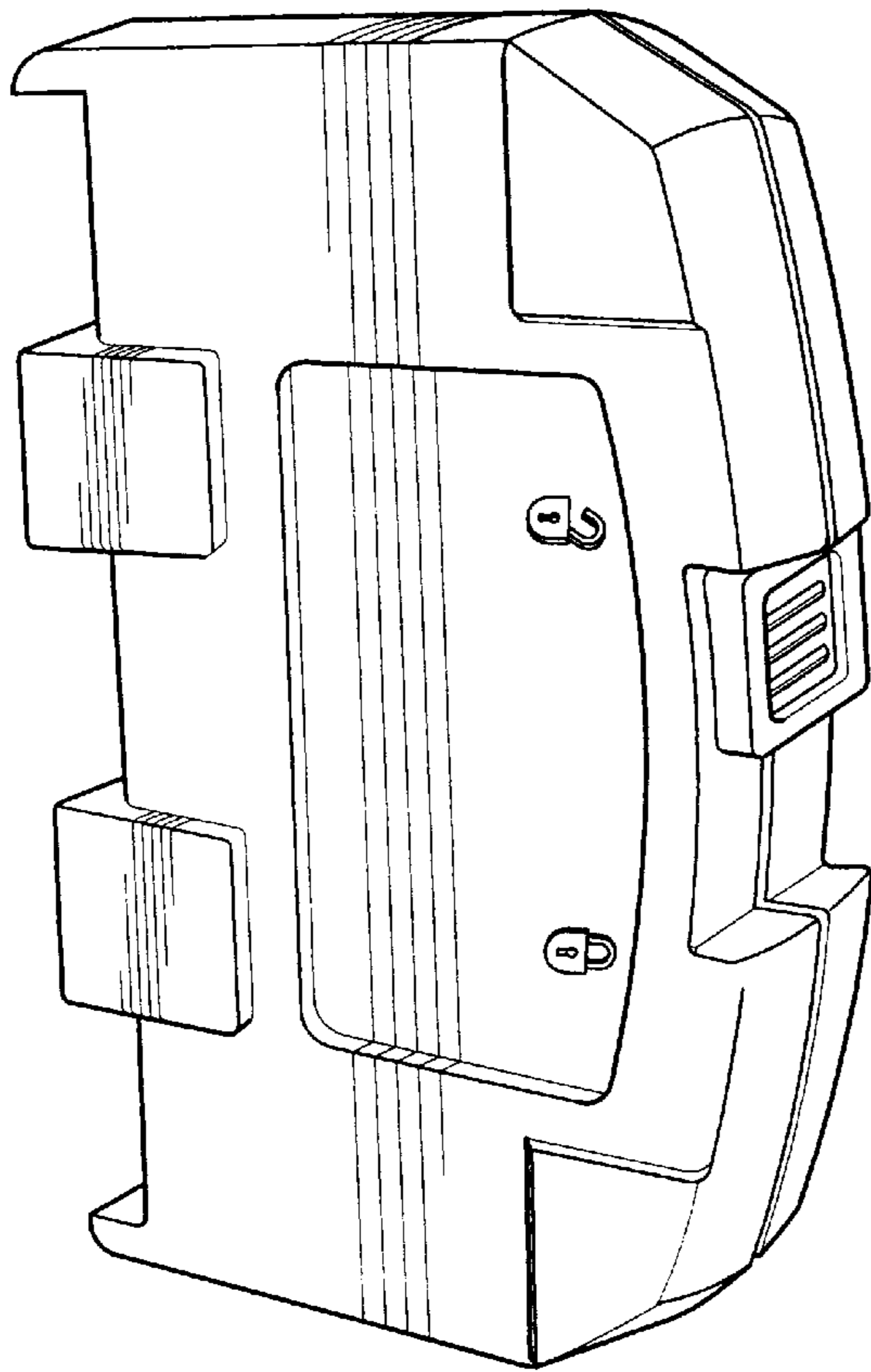


Fig-1

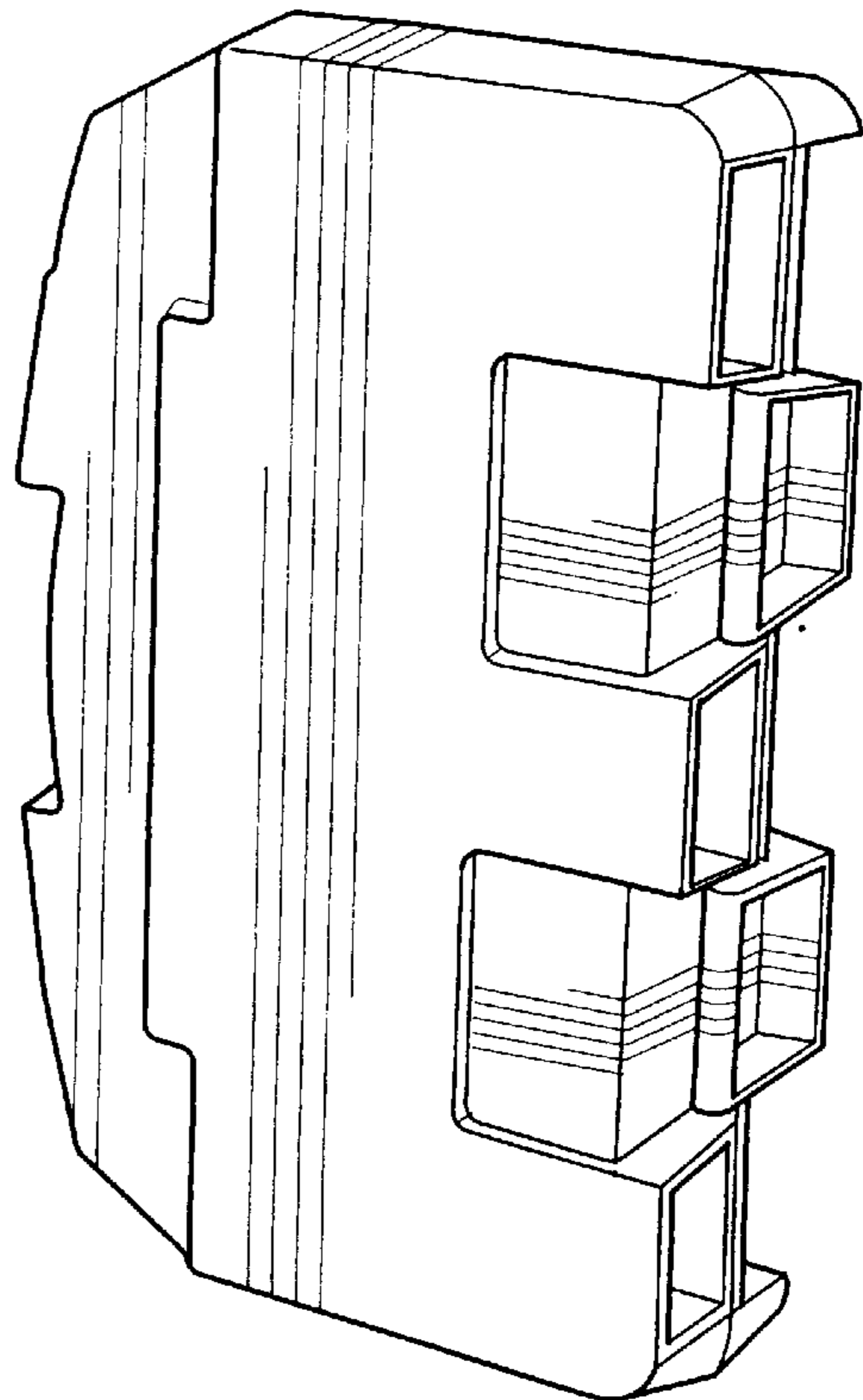


Fig-2

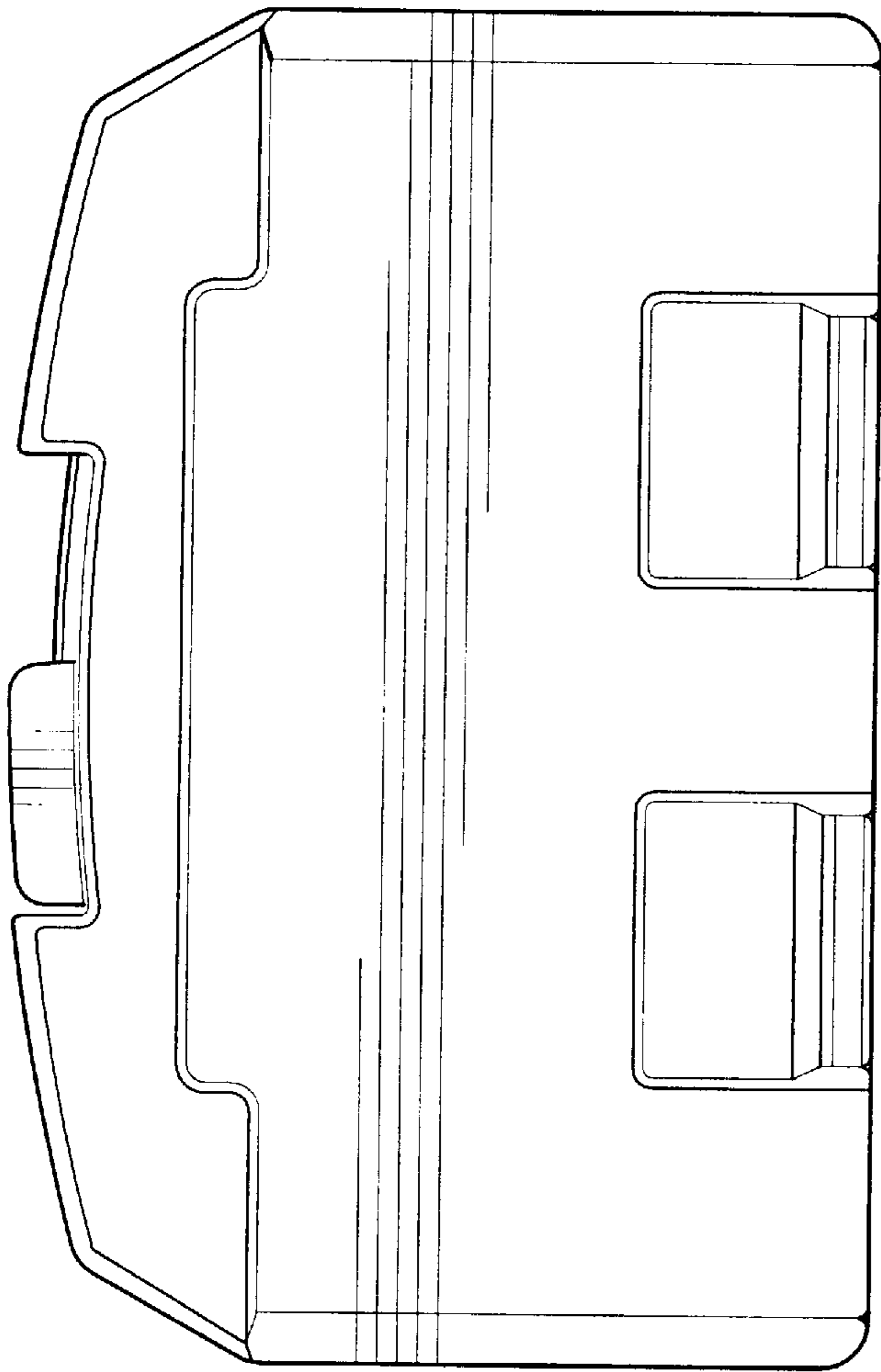


Fig-3

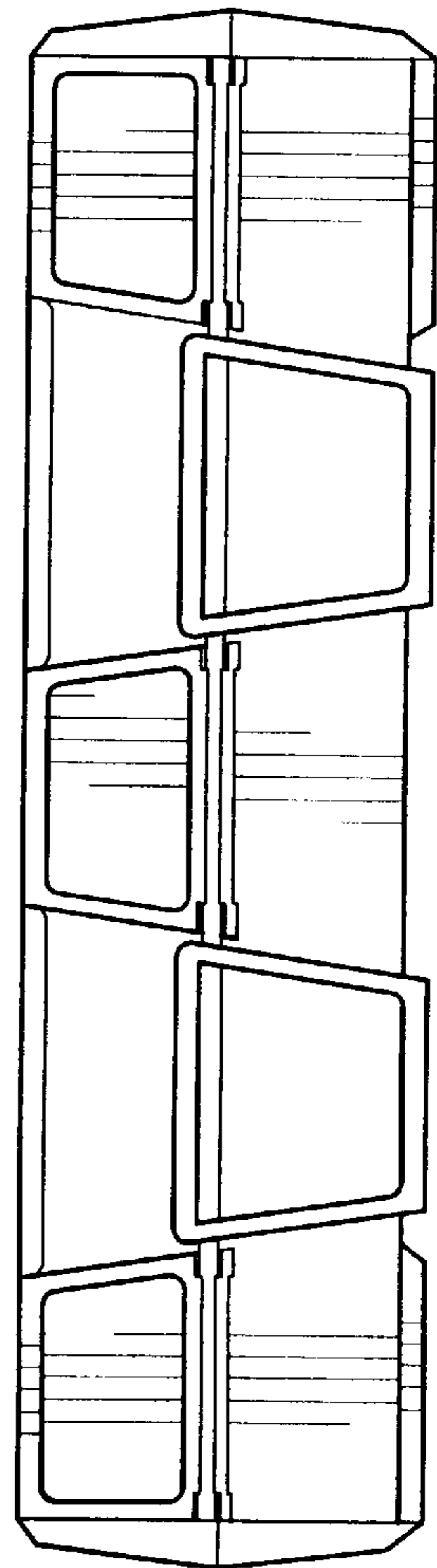


Fig-4

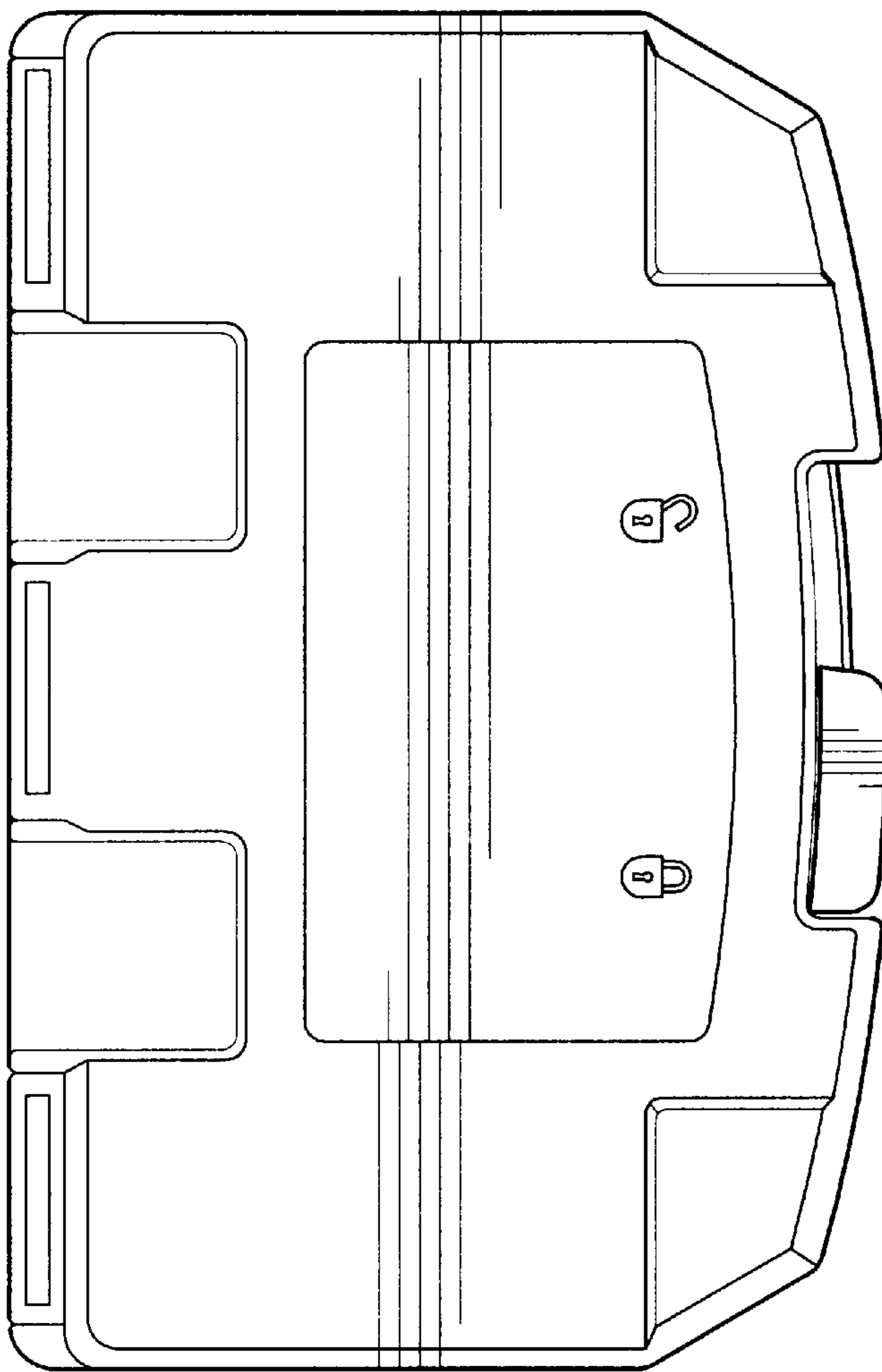


Fig-5

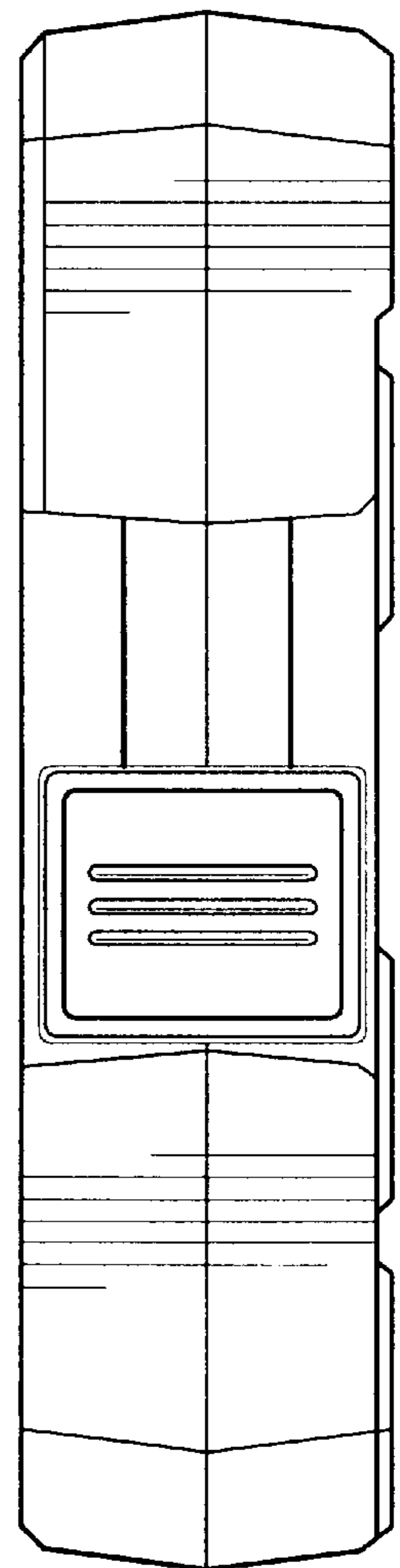


Fig-6

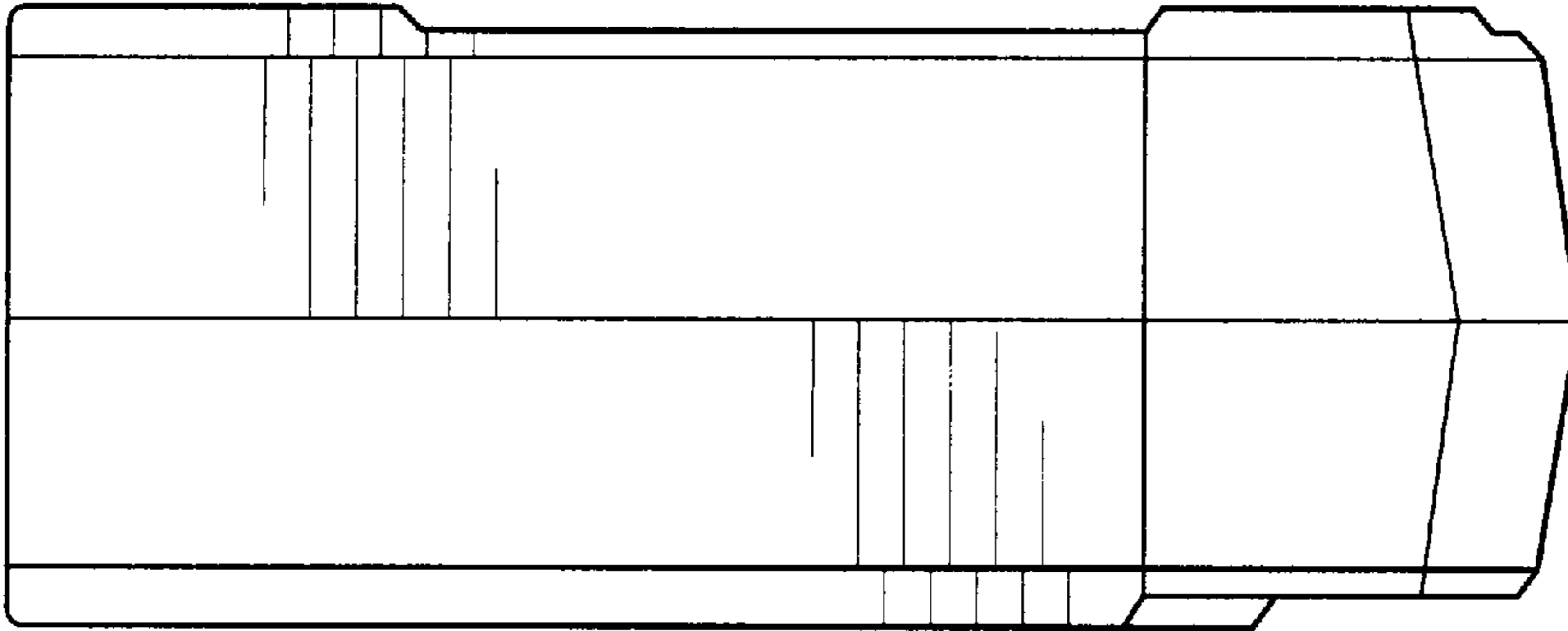


Fig-7

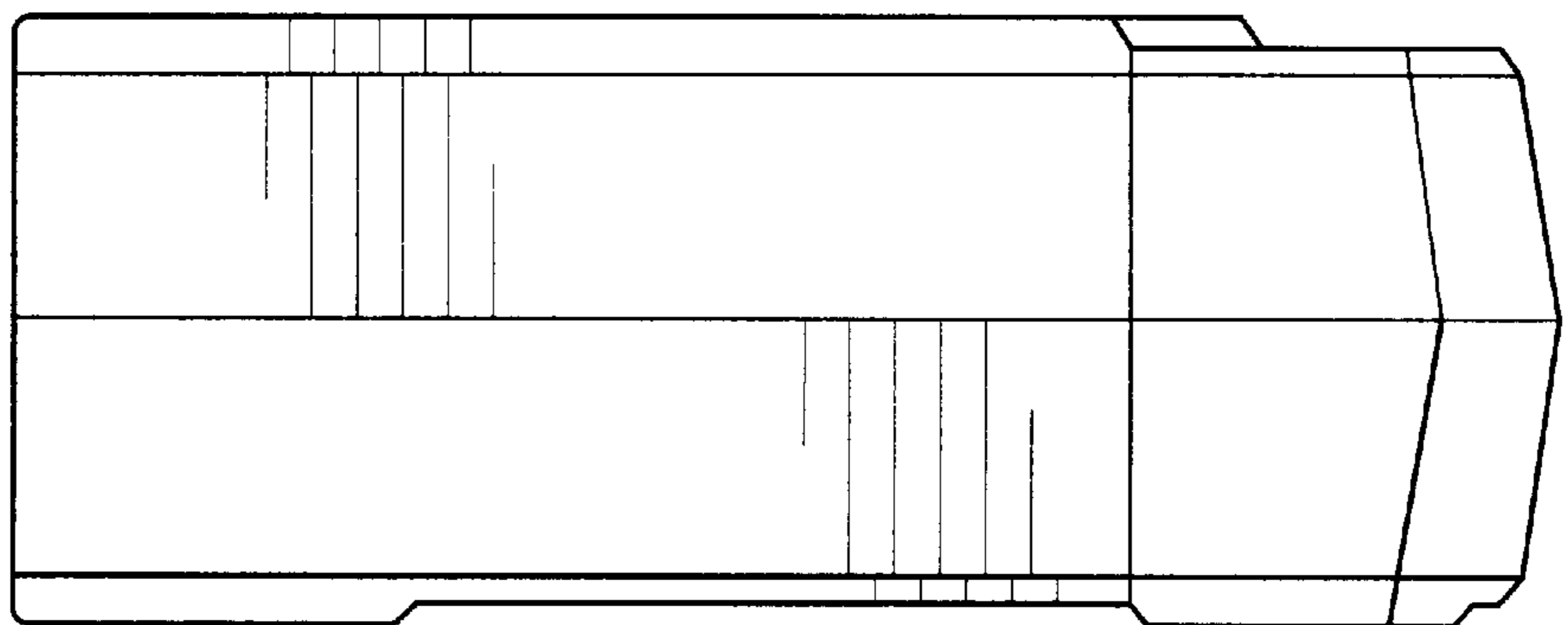


Fig-8