



US00D437669S

(12) **United States Design Patent**
Blason et al.

(10) **Patent No.:** **US D437,669 S**

(45) **Date of Patent:** **** Feb. 13, 2001**

(54) **DOLLY**

(75) Inventors: **Stephen Trevor Blason**, Addlestone;
David Bray, Birmingham, both of (GB)

(73) Assignee: **Chep UK Limited** (GB)

(**) Term: **14 Years**

(21) Appl. No.: **29/095,805**

(22) Filed: **Oct. 30, 1998**

(30) **Foreign Application Priority Data**

May 2, 1998 (GB) 2074409
Oct. 5, 1998 (GB) 2078170

(51) **LOC (7) Cl.** **12-02**

(52) **U.S. Cl.** **D34/23; D34/38**

(58) **Field of Search** **D34/12-27, 38;**
108/51.11, 51.3

(56) **References Cited**

U.S. PATENT DOCUMENTS

D. 377,556 * 1/1997 Sadr D34/38

D. 390,314 * 2/1998 Chen D34/23

D. 395,533 * 6/1998 Morison et al. D34/38

D. 420,188 * 2/2000 Betcher D34/23

* cited by examiner

Primary Examiner—Kay H. Chin

(74) *Attorney, Agent, or Firm*—MacMillan, Sobanski & Todd, LLC

(57) **CLAIM**

The ornamental design for a dolly, as shown and described.

DESCRIPTION

FIG. 1 is a perspective view as seen from above the front right sides of a dolly showing my new design;

FIG. 2 is a front elevational view thereof;

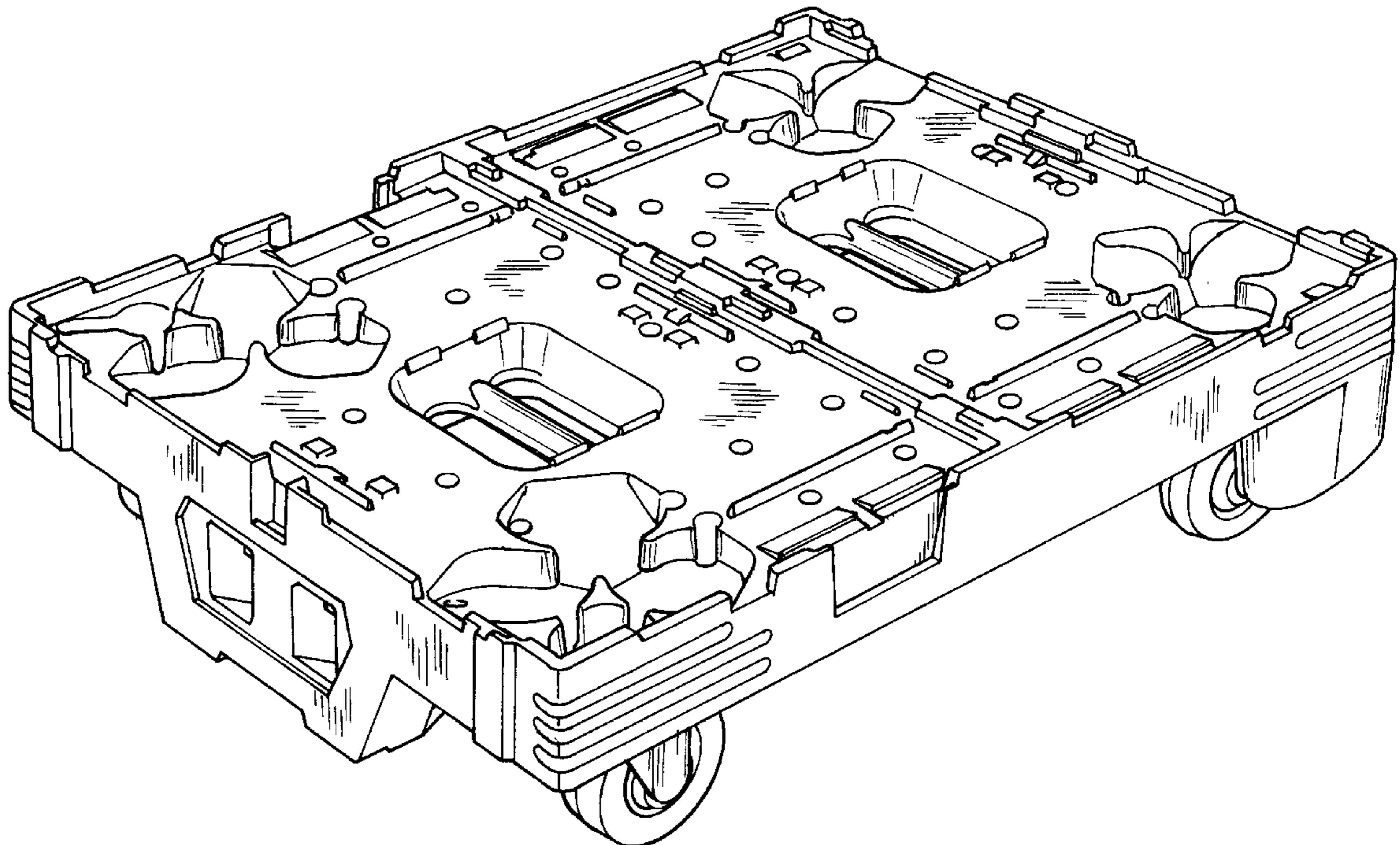
FIG. 3 is a rear elevational view thereof;

FIG. 4 is a left side elevational view thereof, with the right side elevational view being a mirror image thereof;

FIG. 5 is a top plan view thereof; and,

FIG. 6 is a bottom view thereof.

1 Claim, 5 Drawing Sheets



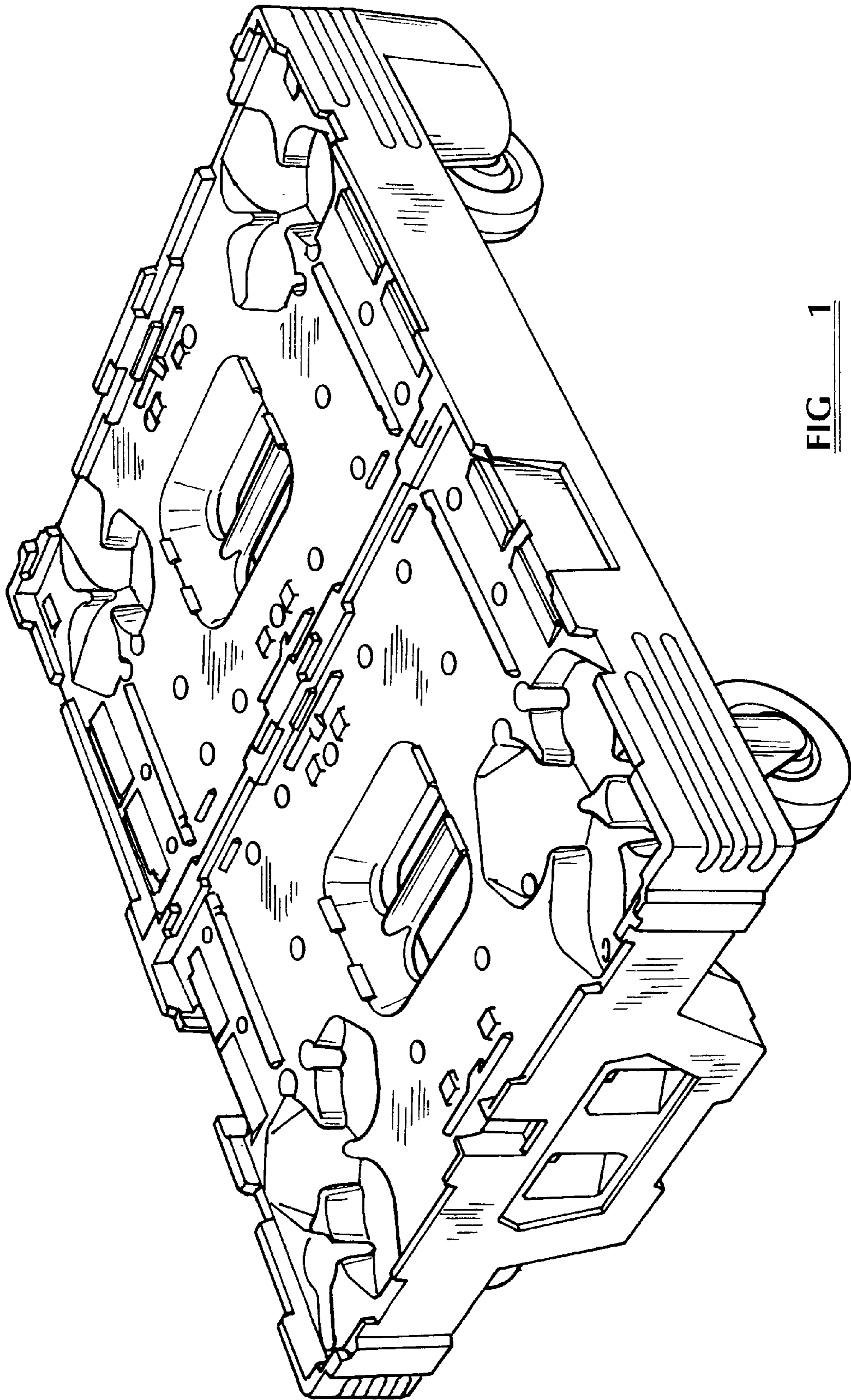


FIG 1

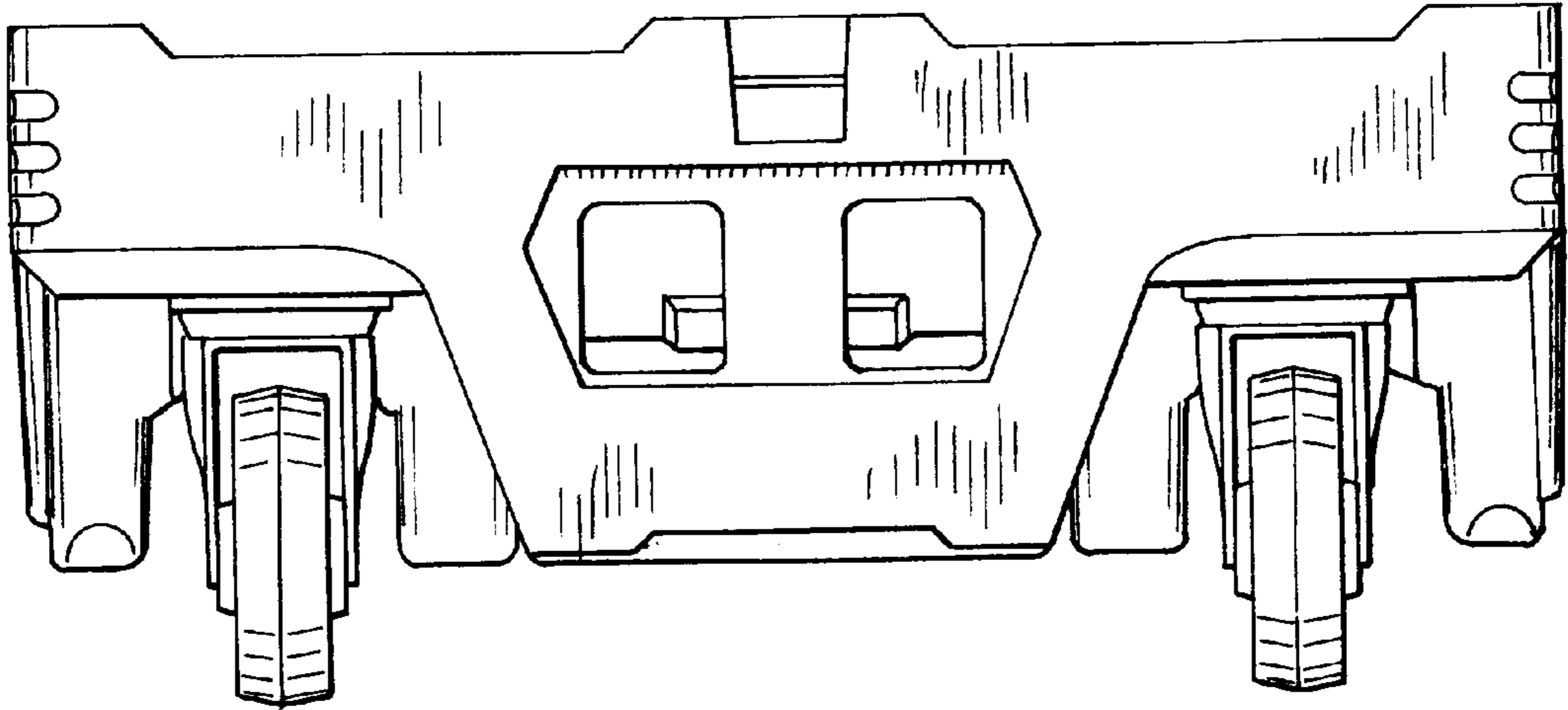


FIG 2

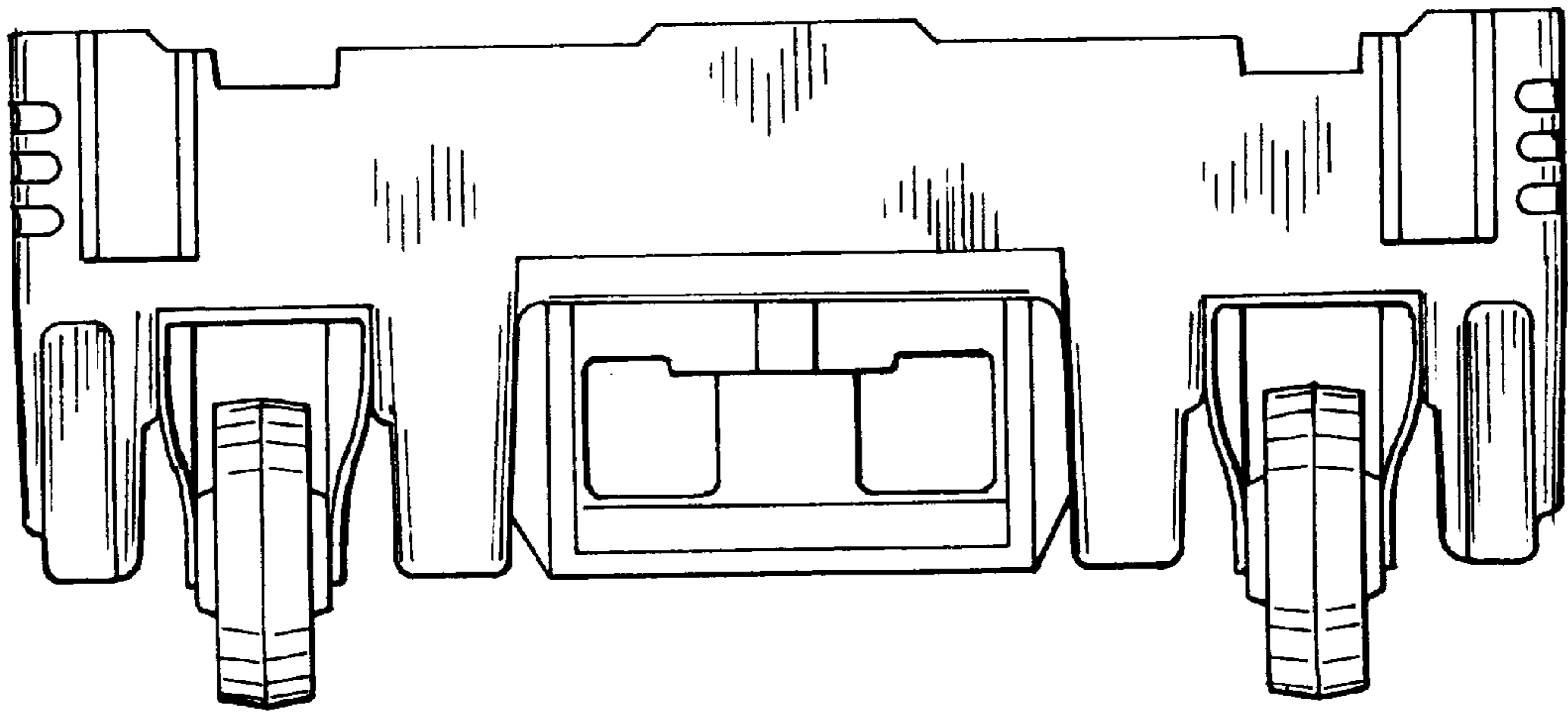
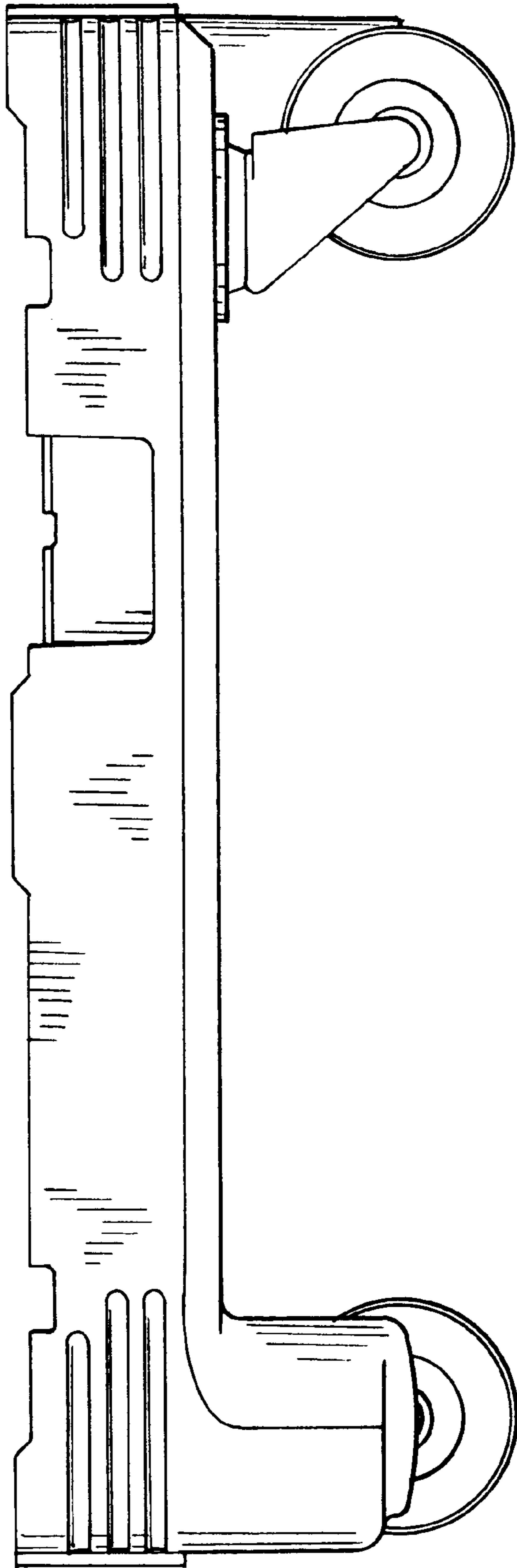


FIG 3

FIG 4



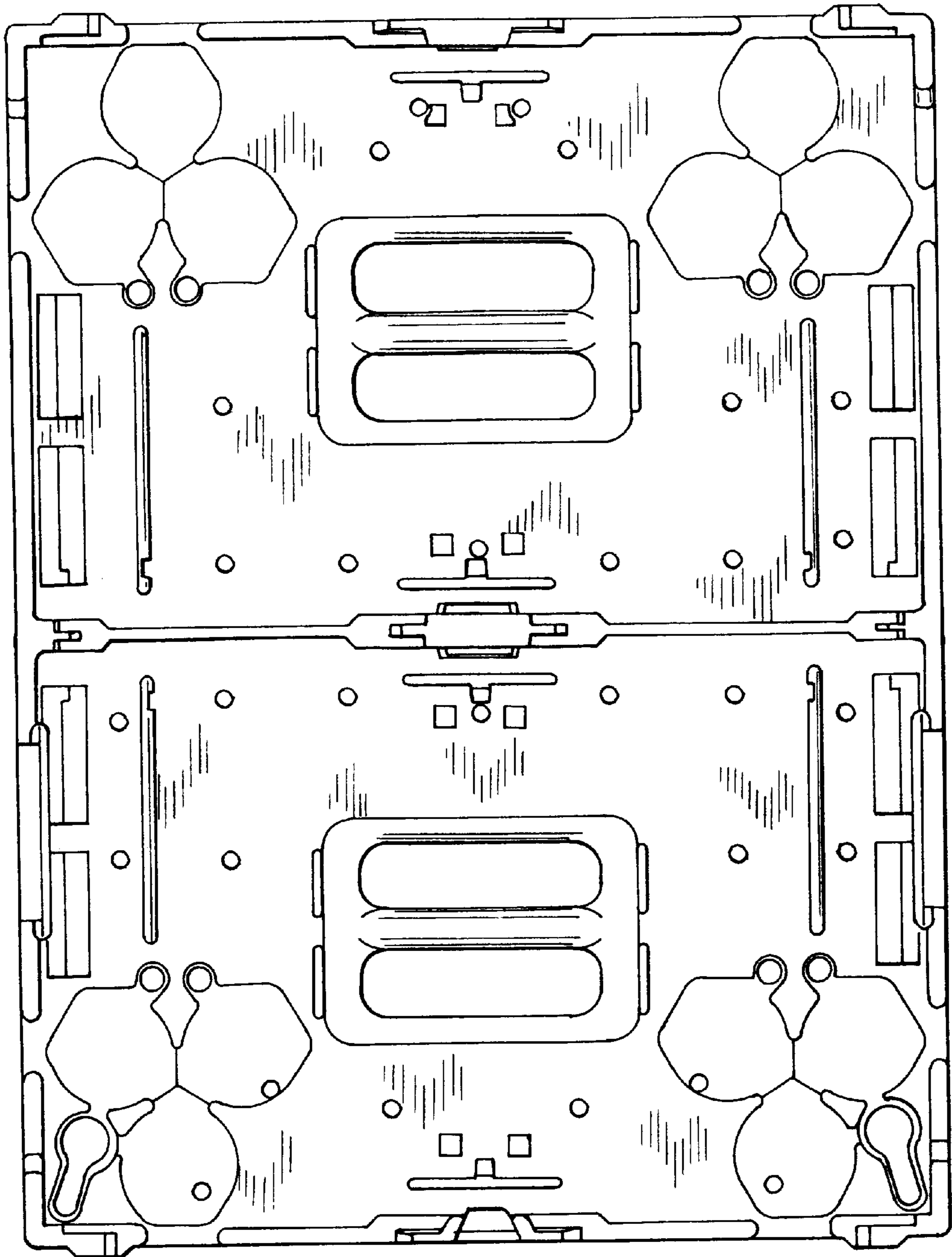


FIG 5

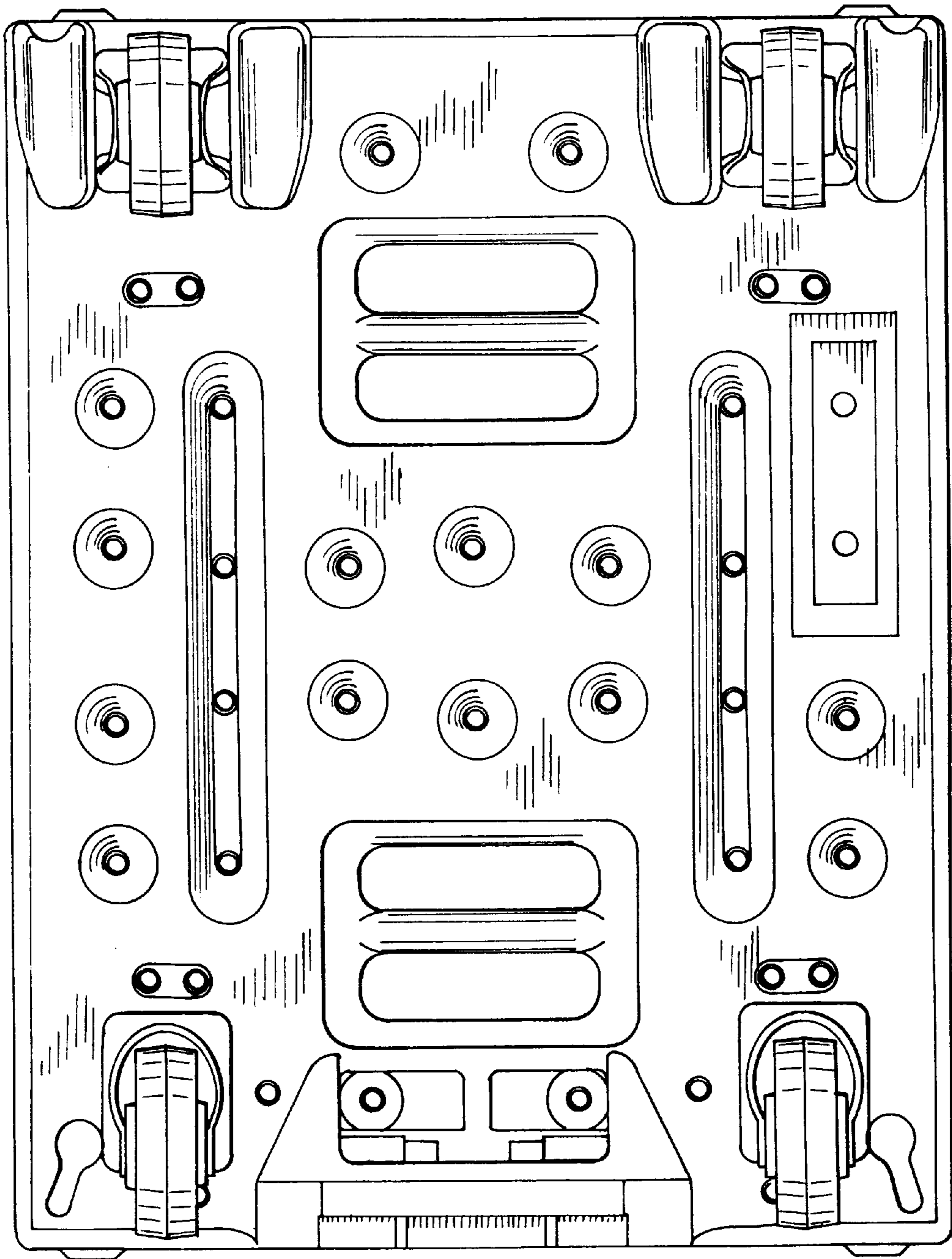


FIG 6