



US00D437662S

(12) **United States Design Patent**
Gutierrez

(10) **Patent No.:** **US D437,662 S**

(45) **Date of Patent:** **** Feb. 13, 2001**

(54) **DENTAL FLOSS HOLDER**

5,819,769 * 10/1998 Gutierrez 132/327

(76) Inventor: **Gregorio Gutierrez**, 2462 18th Ave.,
Sacramento, CA (US) 95820

* cited by examiner

(**) Term: **14 Years**

Primary Examiner—Paula A. Mortimer

(74) *Attorney, Agent, or Firm*—Thomas R. Lampe

(21) Appl. No.: **29/113,271**

(57) **CLAIM**

(22) Filed: **Nov. 2, 1999**

The ornamental design for dental floss holder, as shown and described.

(51) **LOC (7) Cl.** **28-03**

DESCRIPTION

(52) **U.S. Cl.** **D28/68; D28/66**

(58) **Field of Search** D28/65, 66, 67,
D28/68; 132/321, 323, 324, 325, 326, 327

FIG. 1 is a perspective view of dental floss holder showing my design;

FIG. 2 is a front elevation view thereof;

FIG. 3 is a rear elevation view thereof;

FIG. 4 is a right side elevation view thereof, the left side elevation view thereof being a mirror image;

FIG. 5 is a top plan view thereof; and,

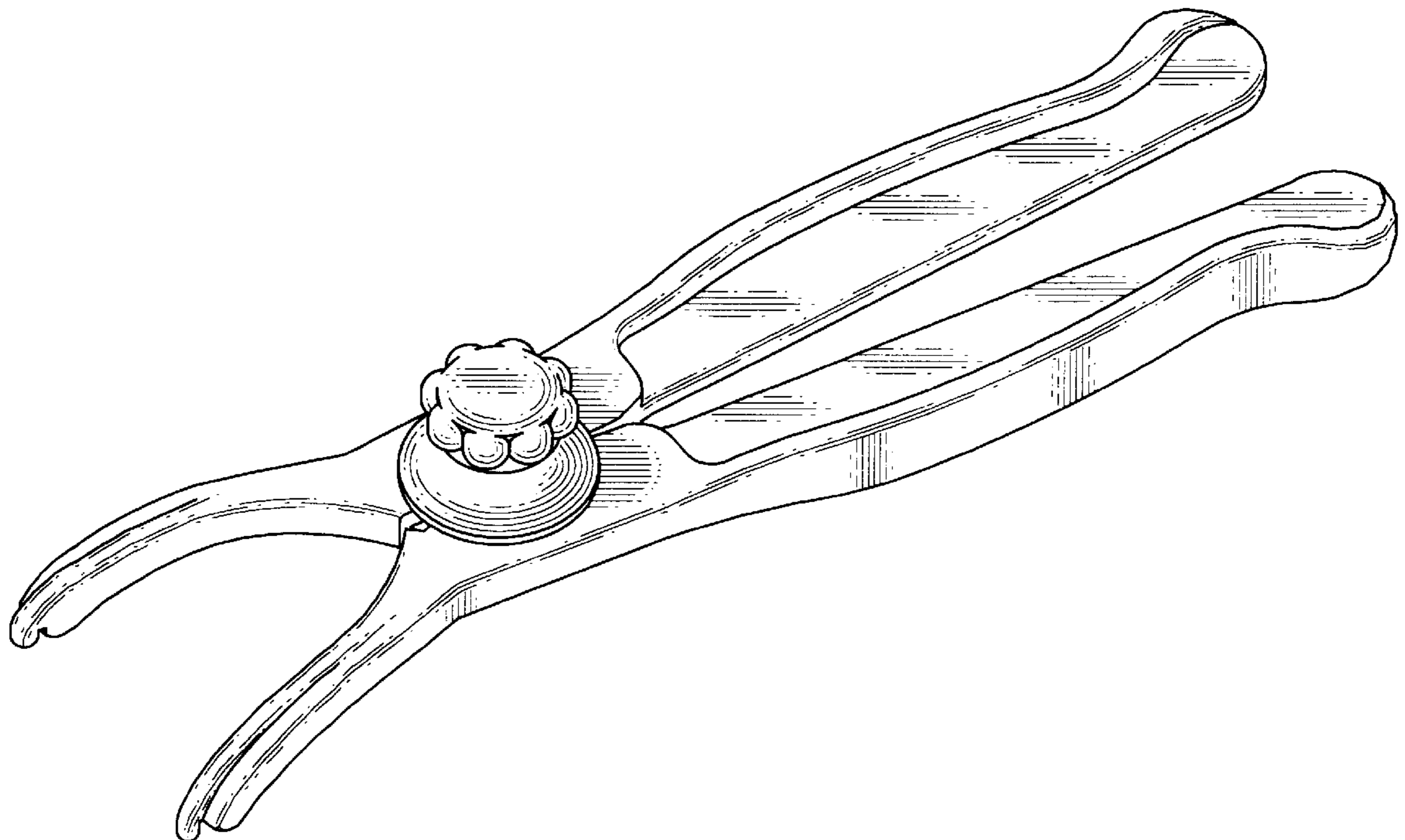
FIG. 6 is a bottom plan view thereof.

(56) **References Cited**

U.S. PATENT DOCUMENTS

- D. 265,004 * 6/1982 Davis D28/65
- D. 312,894 * 12/1990 Schroder-Jorgensen D28/65
- 3,908,677 * 9/1975 Beach 132/327 X
- 4,790,336 * 12/1988 Kuo 132/325

1 Claim, 2 Drawing Sheets



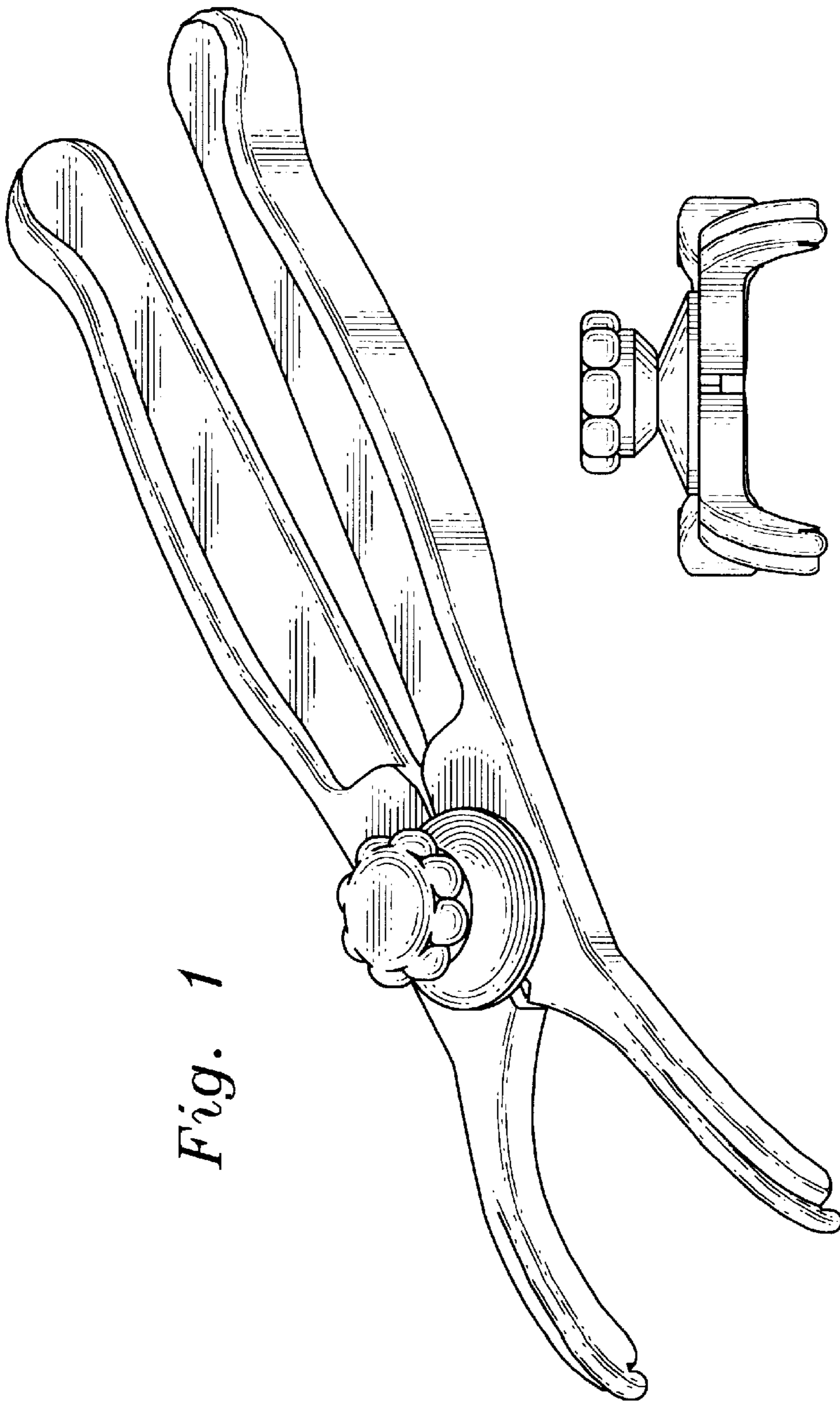


Fig. 1

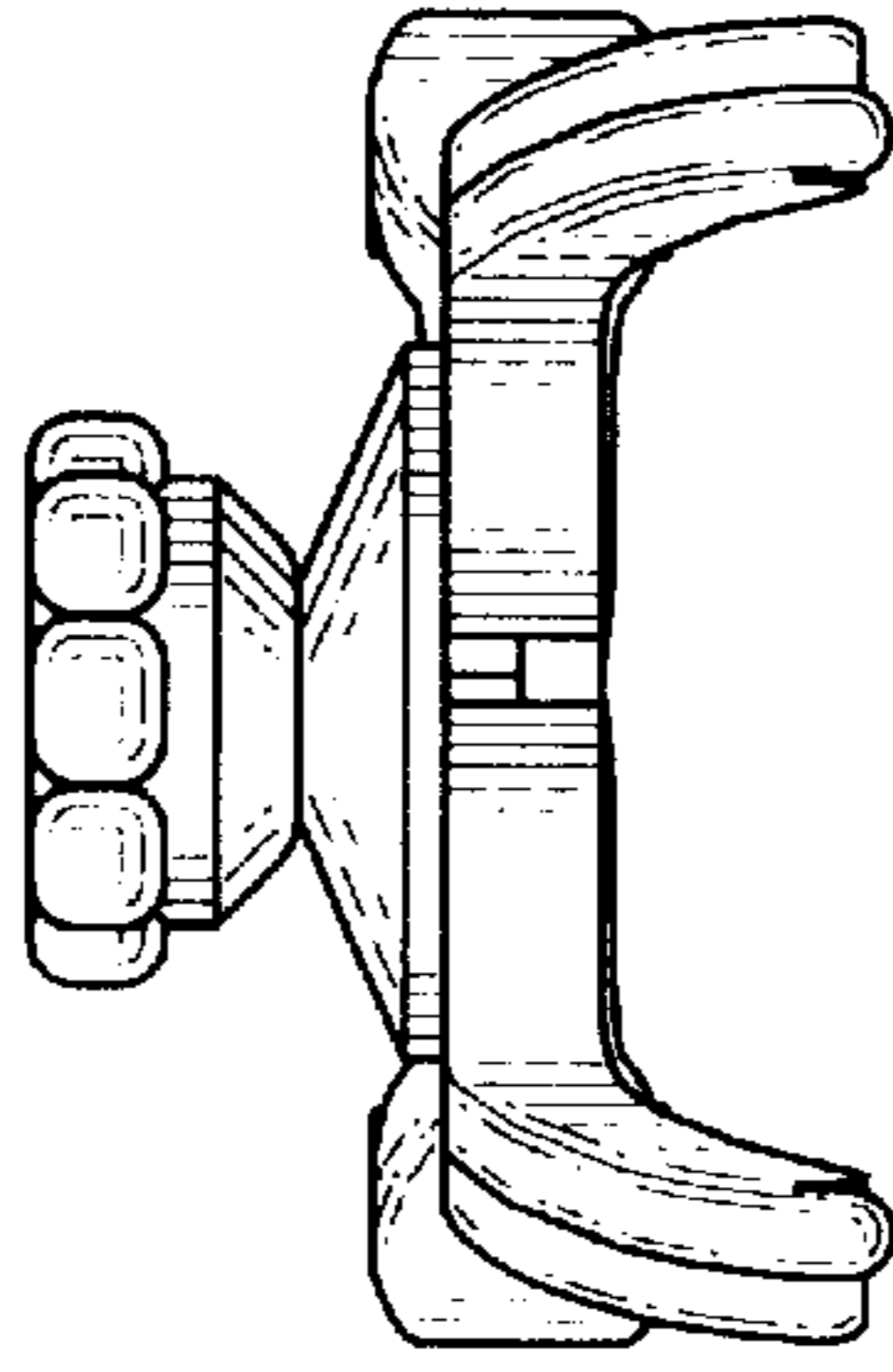


Fig. 2

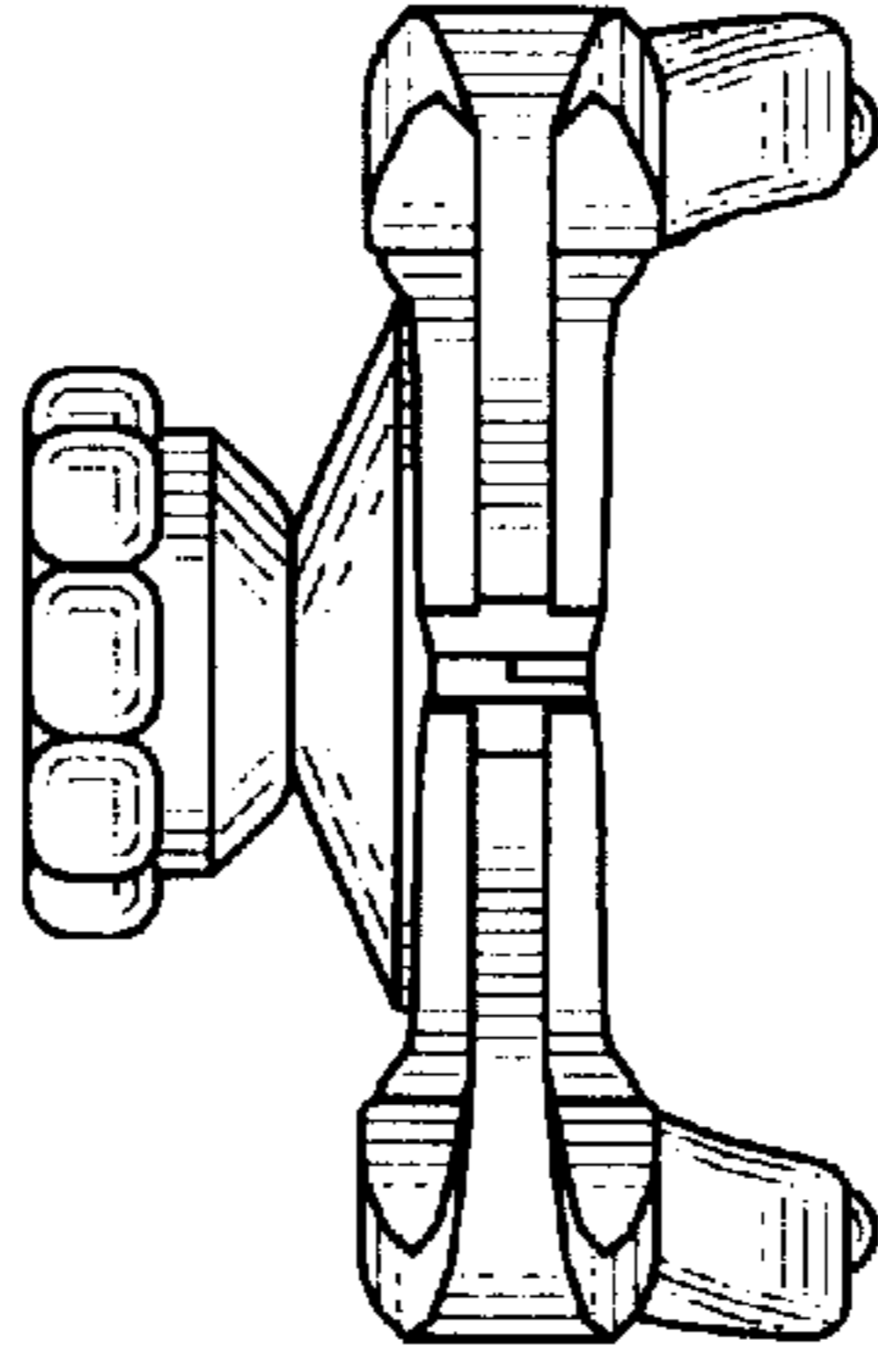


Fig. 3



Fig. 4

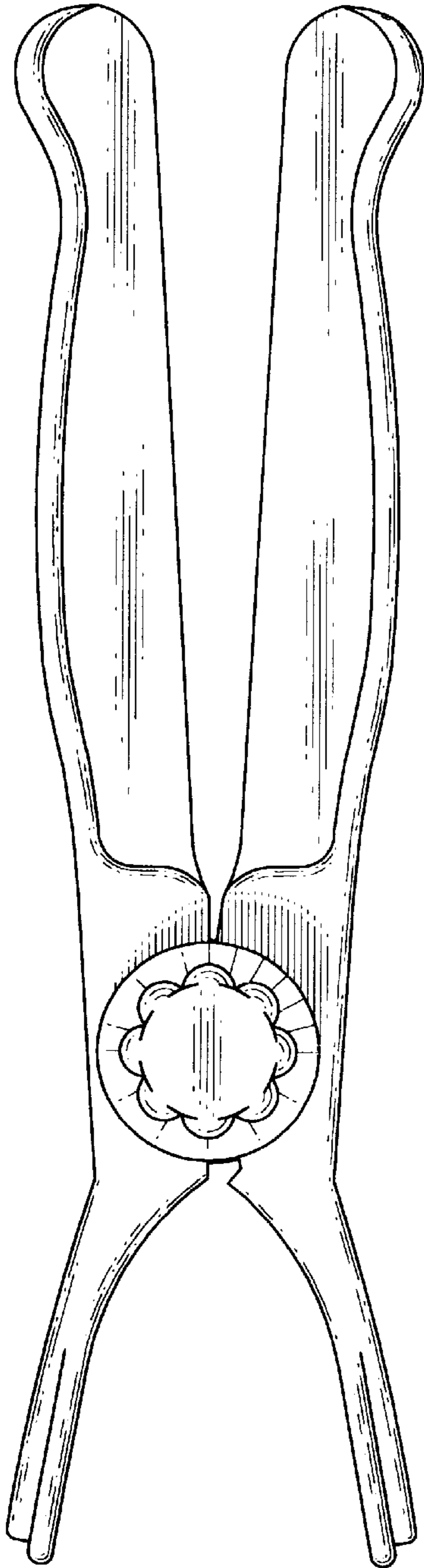


Fig. 5

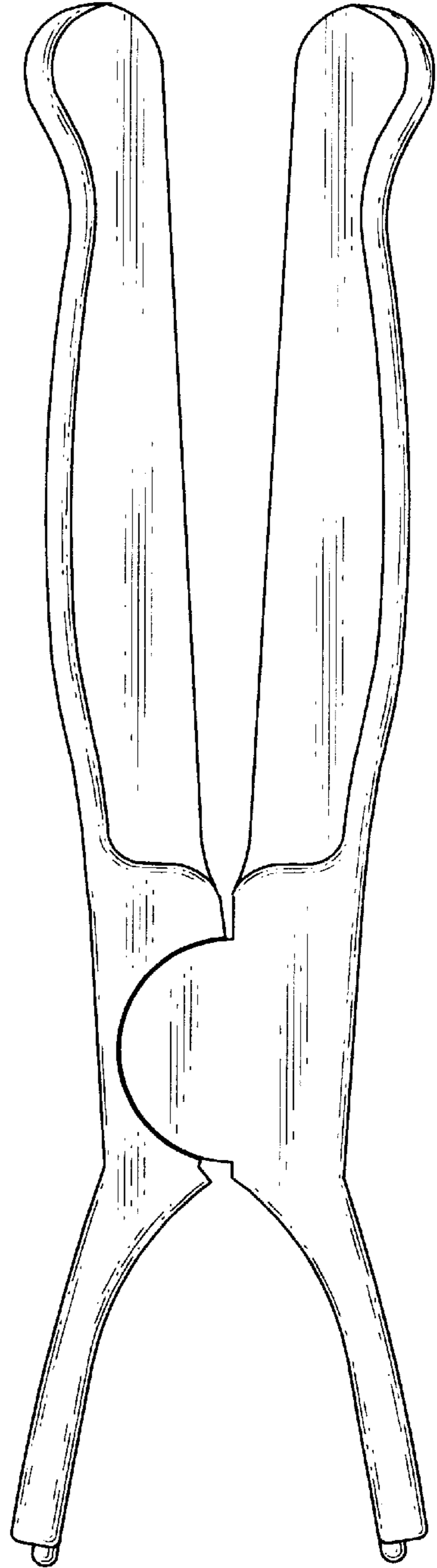


Fig. 6