



US00D437661S

(12) **United States Design Patent**  
**Pinchuk**

(10) **Patent No.:** **US D437,661 S**

(45) **Date of Patent:** **\*\* Feb. 13, 2001**

(54) **VIBRATING HANDLE FOR SHAVING RAZOR**

5,007,169 \* 4/1991 Motta ..... 30/45  
5,855,066 \* 1/1999 Manger ..... 30/41

(75) Inventor: **Rene C. Pinchuk**, Kensington, CA (US)

\* cited by examiner

(73) Assignee: **Sharper Image Corporation**, San Francisco, CA (US)

*Primary Examiner*—Ted Shooman

*Assistant Examiner*—C Tuttle

(\*\*) Term: **14 Years**

(74) *Attorney, Agent, or Firm*—Flehr Hohbach Test Albritton & Herbert LLP

(21) Appl. No.: **29/113,407**

(22) Filed: **Nov. 4, 1999**

(57) **CLAIM**

The ornamental design for a vibrating handle for shaving razor, as shown and described.

(51) **LOC (7) Cl.** ..... **28-03**

(52) **U.S. Cl.** ..... **D28/48**

(58) **Field of Search** ..... D28/44-48; 30/32, 30/34.05, 44, 45, 47-51, 526-534

**DESCRIPTION**

FIG. 1 is a front perspective view of a vibrating handle for shaving razor showing my new design; FIG. 2 is a rear perspective view thereof; FIG. 3 is a right side elevation view thereof; FIG. 4 is a left side elevation view thereof; FIG. 5 is a rear elevation view thereof; FIG. 6 is a front view thereof; FIG. 7 is a top plan view thereof; and, FIG. 8 is a bottom plan view thereof.

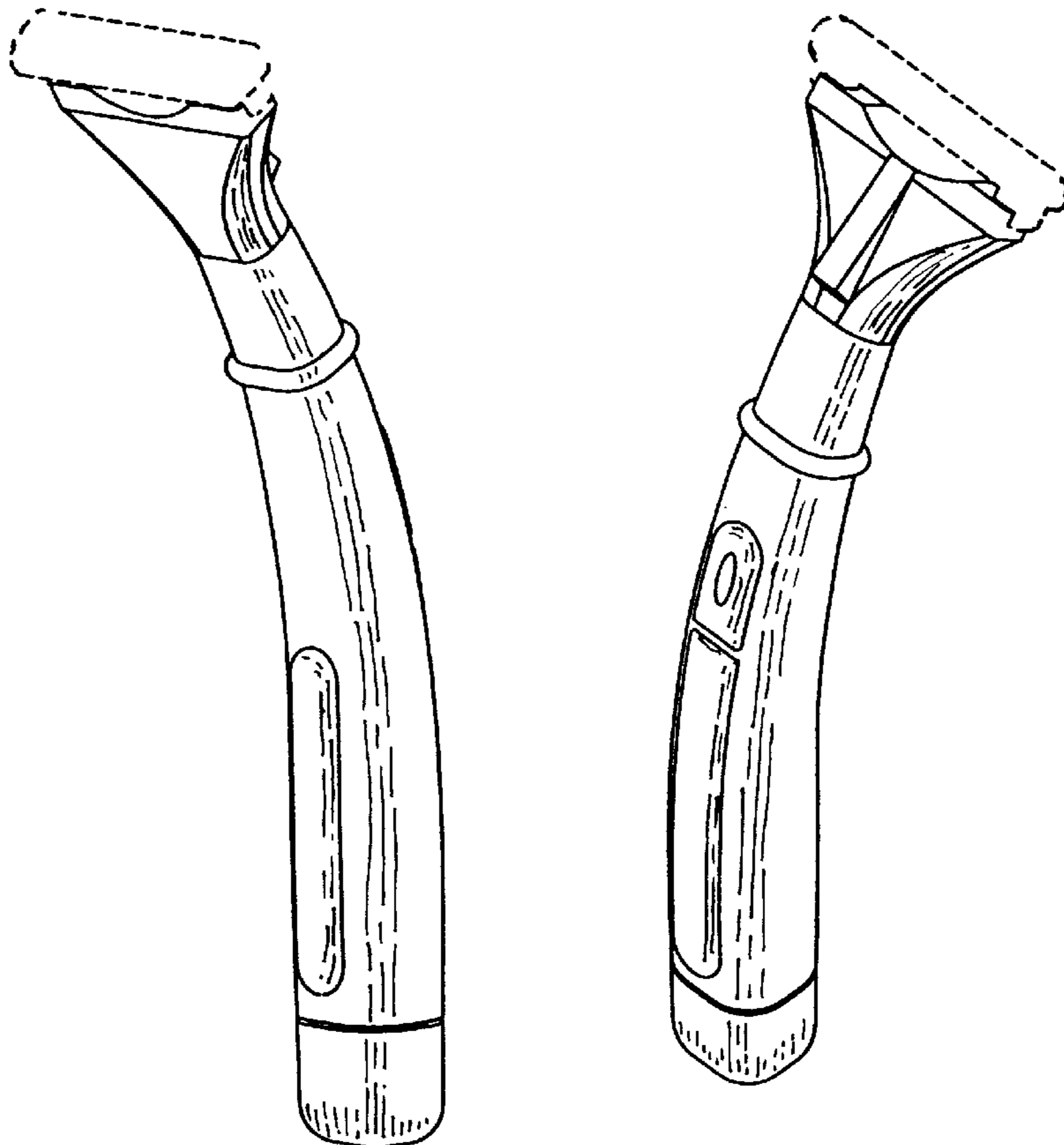
The broken line showing of the razor head is for illustrative purposes only and forms no part of the claimed design.

(56) **References Cited**

**U.S. PATENT DOCUMENTS**

D. 311,971	*	11/1990	Faerber	.....	D28/46
D. 404,526	*	1/1999	Motta	.....	D28/48
D. 414,298	*	9/1999	Pennella et al.	.....	D28/48
D. 414,898	*	10/1999	Grange	.....	D28/48
D. 414,899	*	10/1999	Pinchuk	.....	D28/48
1,059,648	*	4/1913	Tuttle	.....	30/44

**1 Claim, 4 Drawing Sheets**



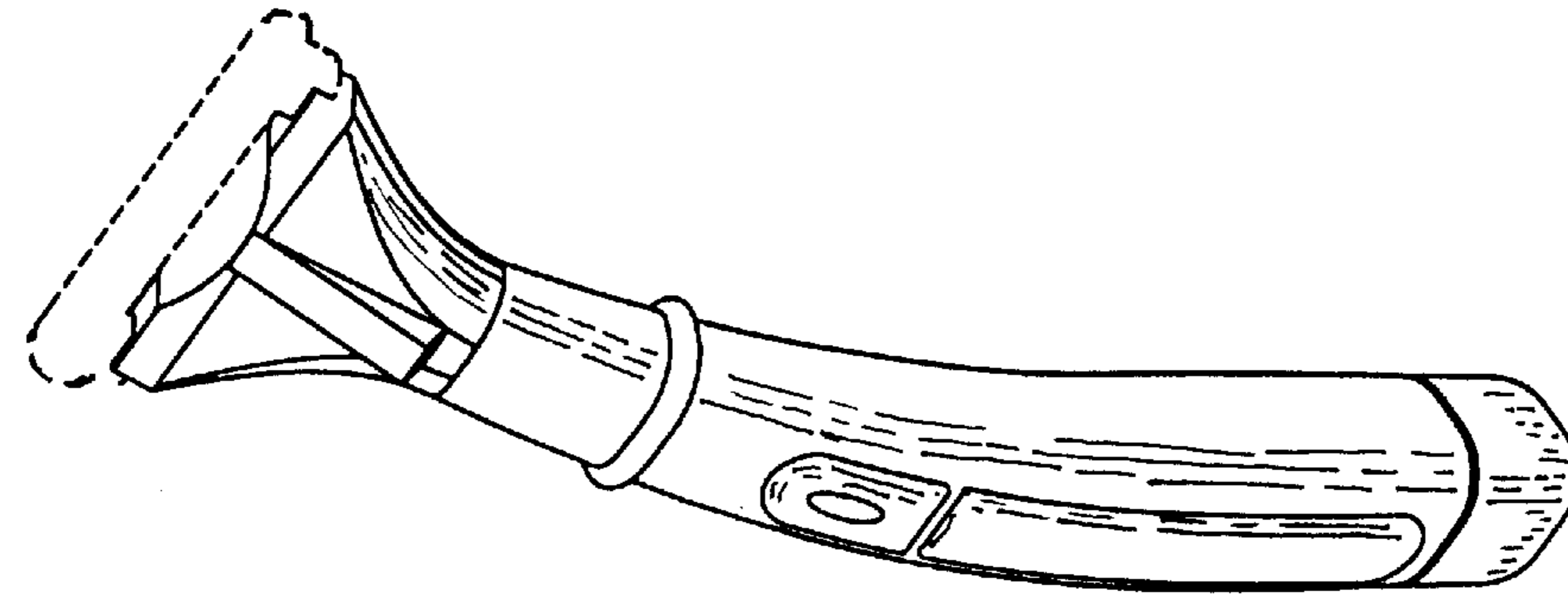


FIG. 2

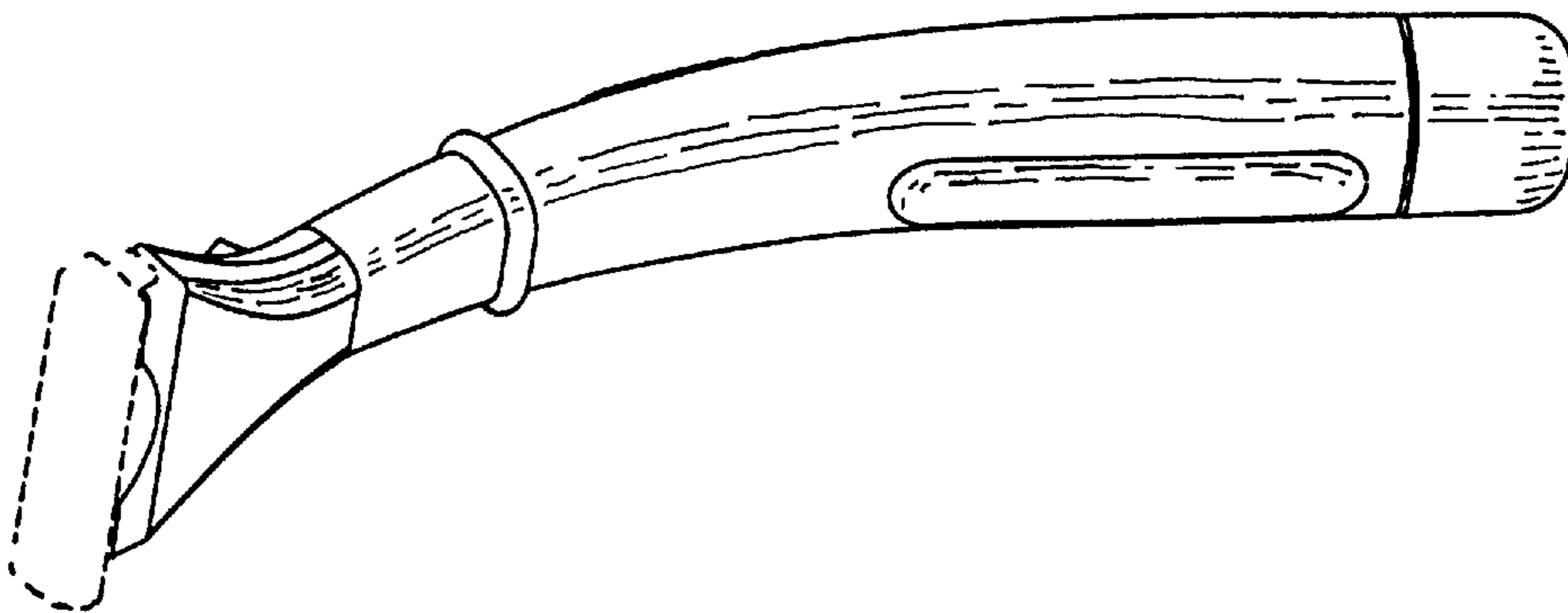


FIG. 1

FIG. 4

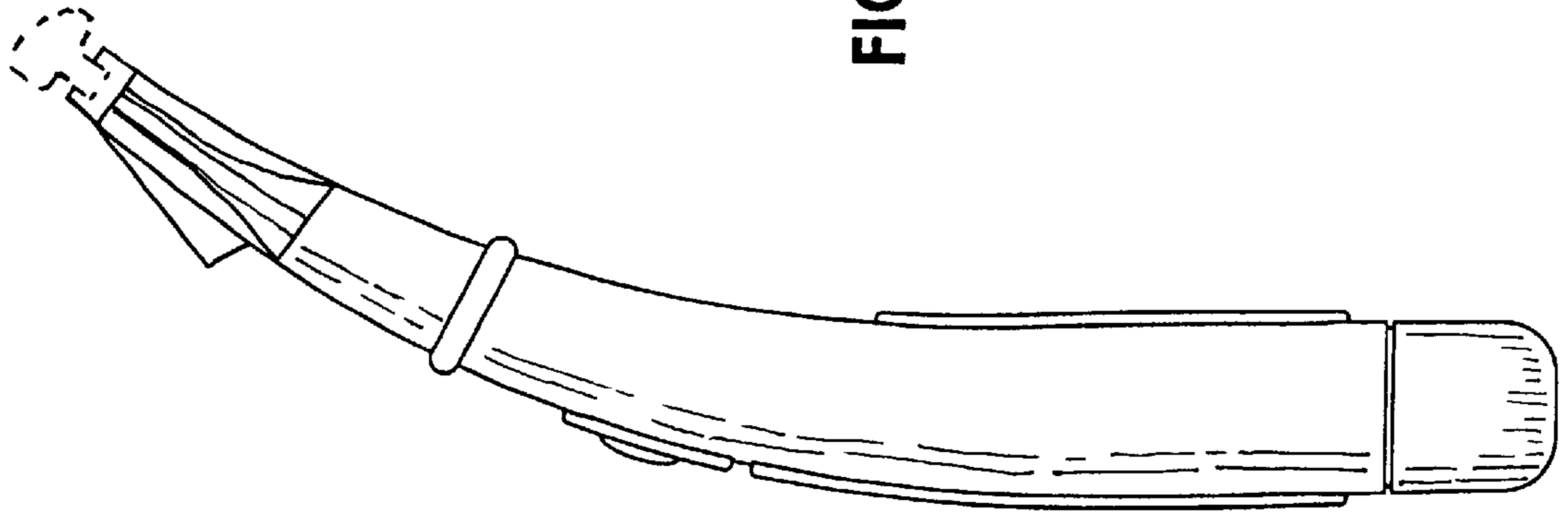
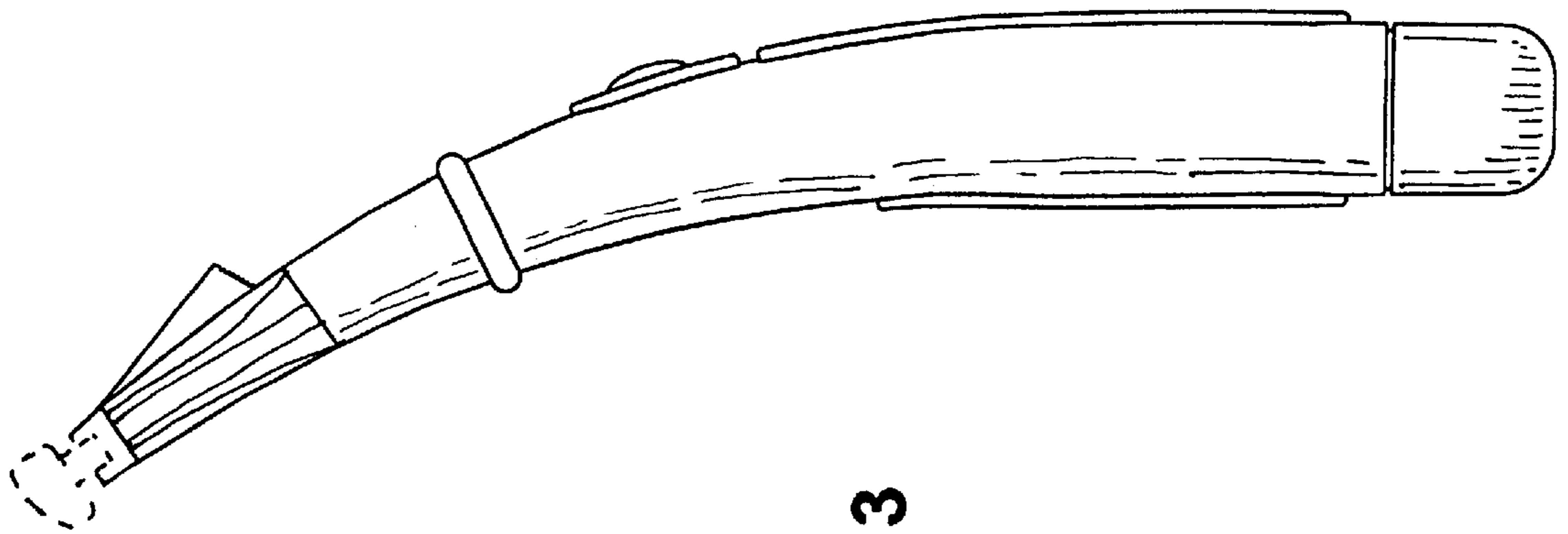


FIG. 3



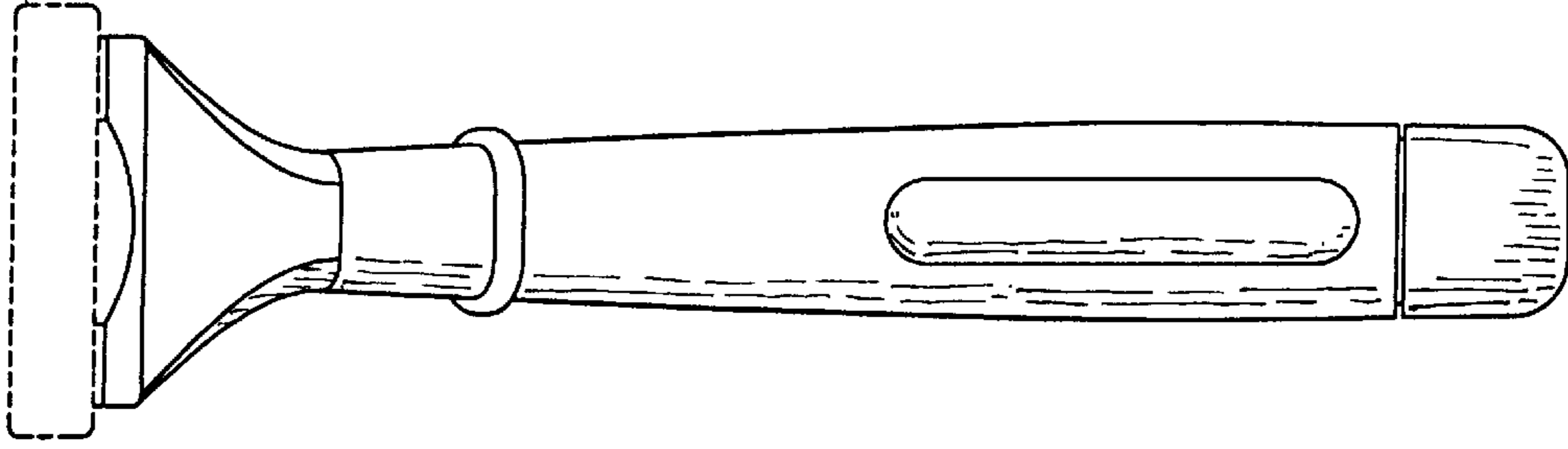


FIG. 6

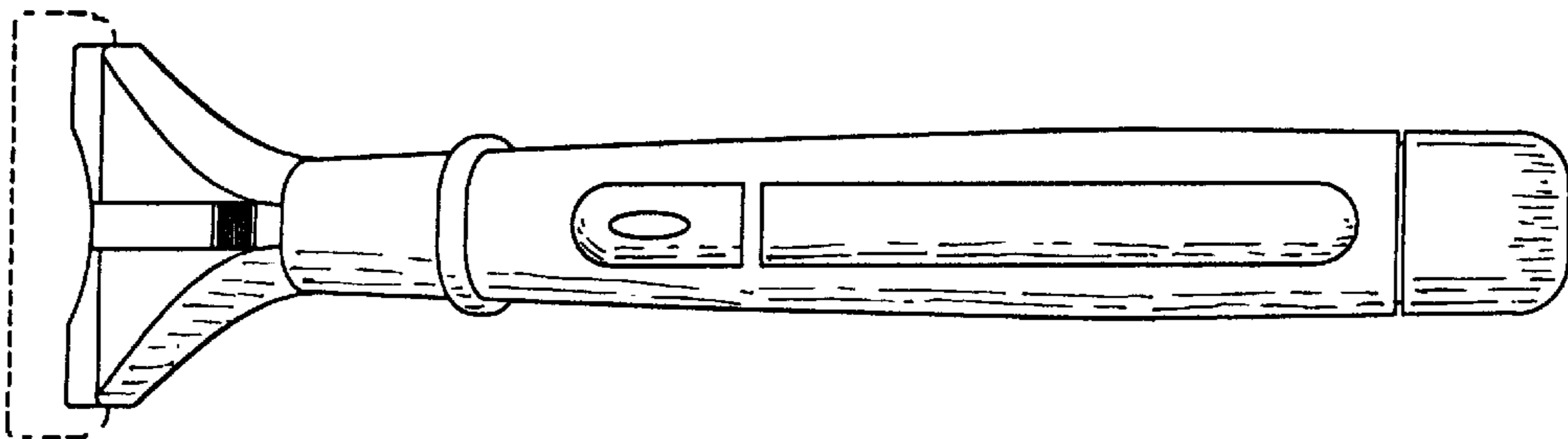


FIG. 5

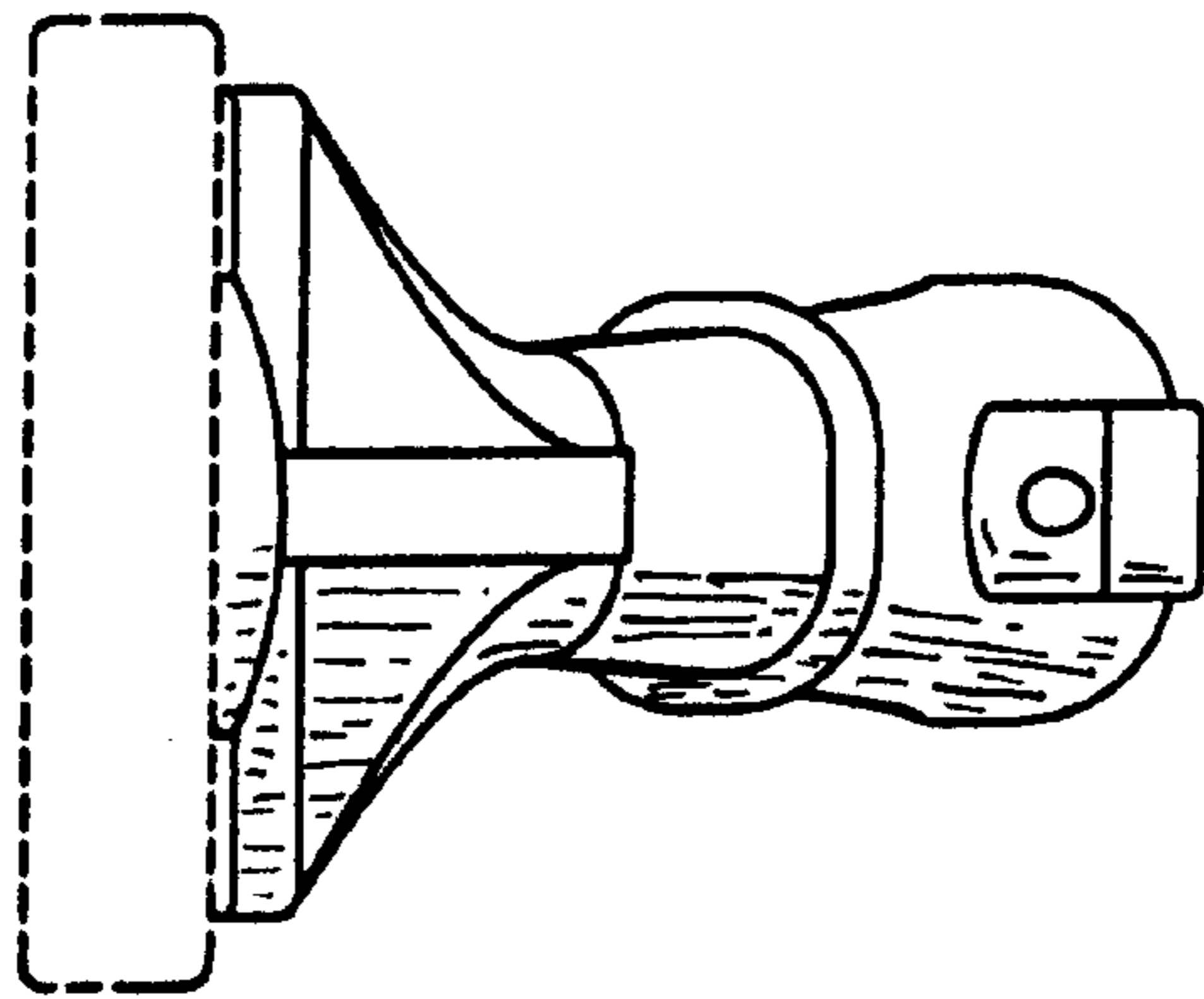


FIG. 7

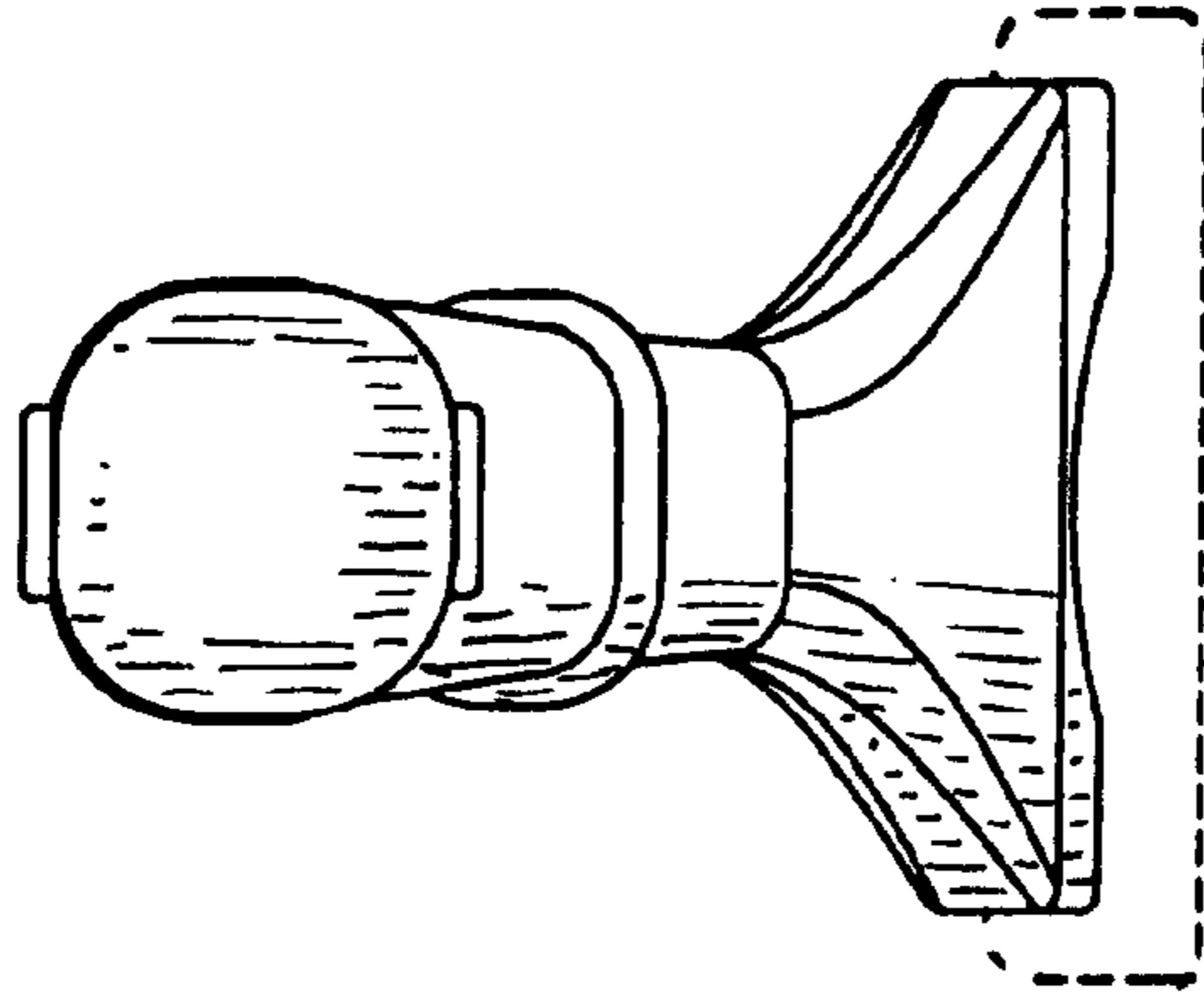


FIG. 8