



US00D437659S

(12) **United States Design Patent**
Henry

(10) **Patent No.:** **US D437,659 S**

(45) **Date of Patent:** **** Feb. 13, 2001**

(54) **DOUBLE SHAKER**

(75) Inventor: **Mikaël Henry**, Paris, Cedex (FR)

(73) Assignee: **L'Oreal S.A.**, Paris (FR)

(**) Term: **14 Years**

(21) Appl. No.: **29/105,664**

(22) Filed: **May 28, 1999**

(51) **LOC (7) Cl.** **28-03**

(52) **U.S. Cl.** **D28/20; D28/9; D28/76**

(58) **Field of Search** D28/9, 10, 20,
D28/76, 77, 91; D9/341, 529, 549, 504;
D3/264, 302; D7/300.1, 376, 541, 614,
703; 215/6, DIG. 8; 206/219, 221, 581;
220/4.21, 4.24, 4.27, 23.2, 23.8; 366/130,
347

(56) **References Cited**

U.S. PATENT DOCUMENTS

- D. 164,449 * 9/1951 Roehrich D9/341
- D. 185,628 * 7/1959 De Augustine D9/341
- D. 281,398 * 11/1985 Kesselring D9/341
- D. 297,775 * 9/1988 Sussman D28/76
- D. 404,642 * 1/1999 Major D9/341
- D. 405,003 * 2/1999 Dapsanse D9/504 X

1,967,469 * 7/1934 Dulany 220/4.26 X

* cited by examiner

Primary Examiner—Catherine Tuttle

(74) *Attorney, Agent, or Firm*—Baker Botts L.L.P.

(57) **CLAIM**

The ornamental design for a double shaker, as shown and described.

DESCRIPTION

FIG. 1 is a three-dimensional perspective view of the double shaker of the present invention;

FIG. 2 is a front view of the double shaker of the present invention;

FIG. 3 is a top view of the double shaker of the present invention;

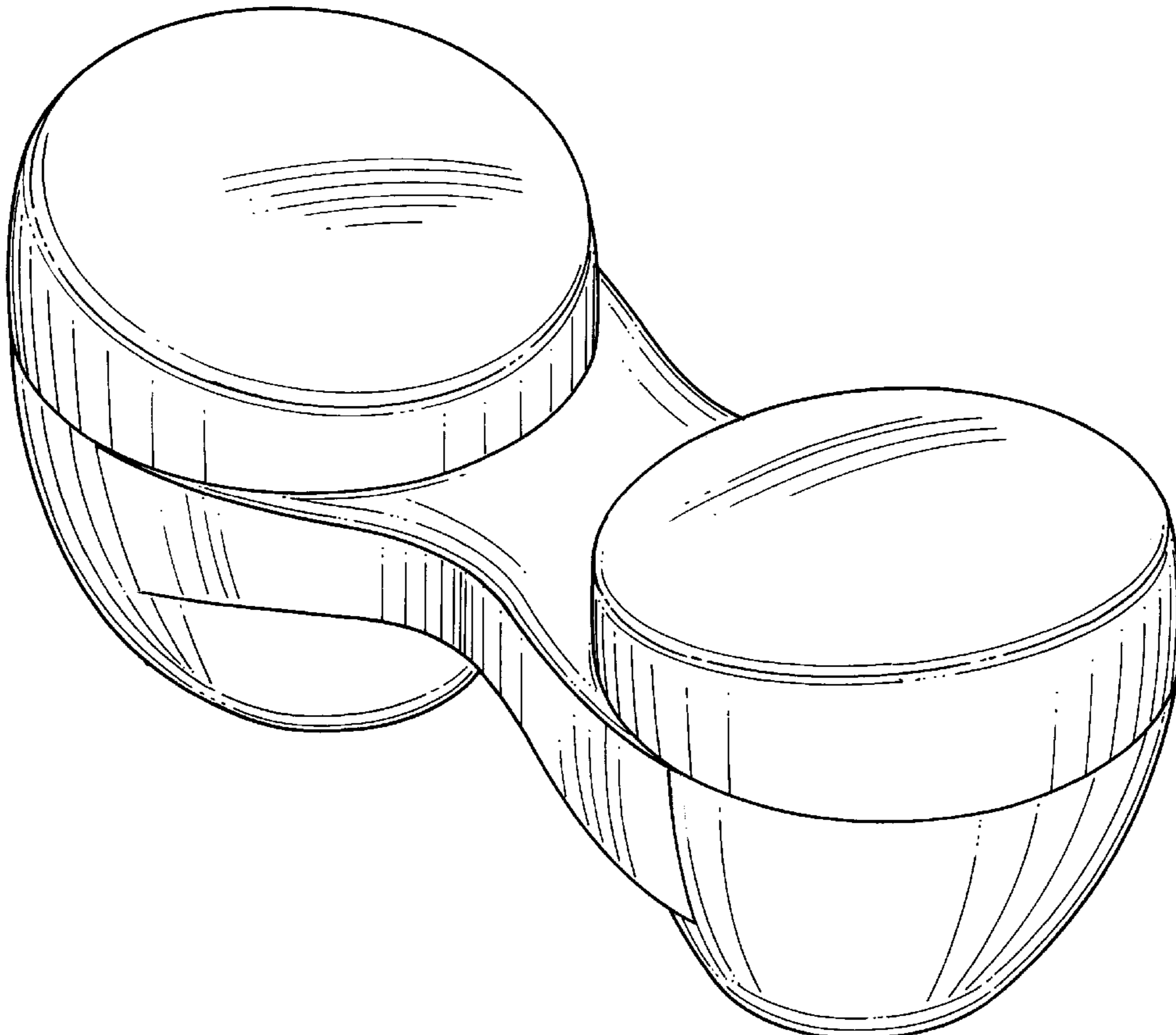
FIG. 4 is a side view of the double shaker of the present invention;

FIG. 5 is a bottom view of the double shaker of the present invention; and,

FIG. 6 is a three-dimensional perspective view of the double shaker with the cap portions removed to show the underlying parts.

The surface(s) or portion(s) of the article not shown in the drawing or described in the specification form(s) no part of the claimed design.

1 Claim, 4 Drawing Sheets



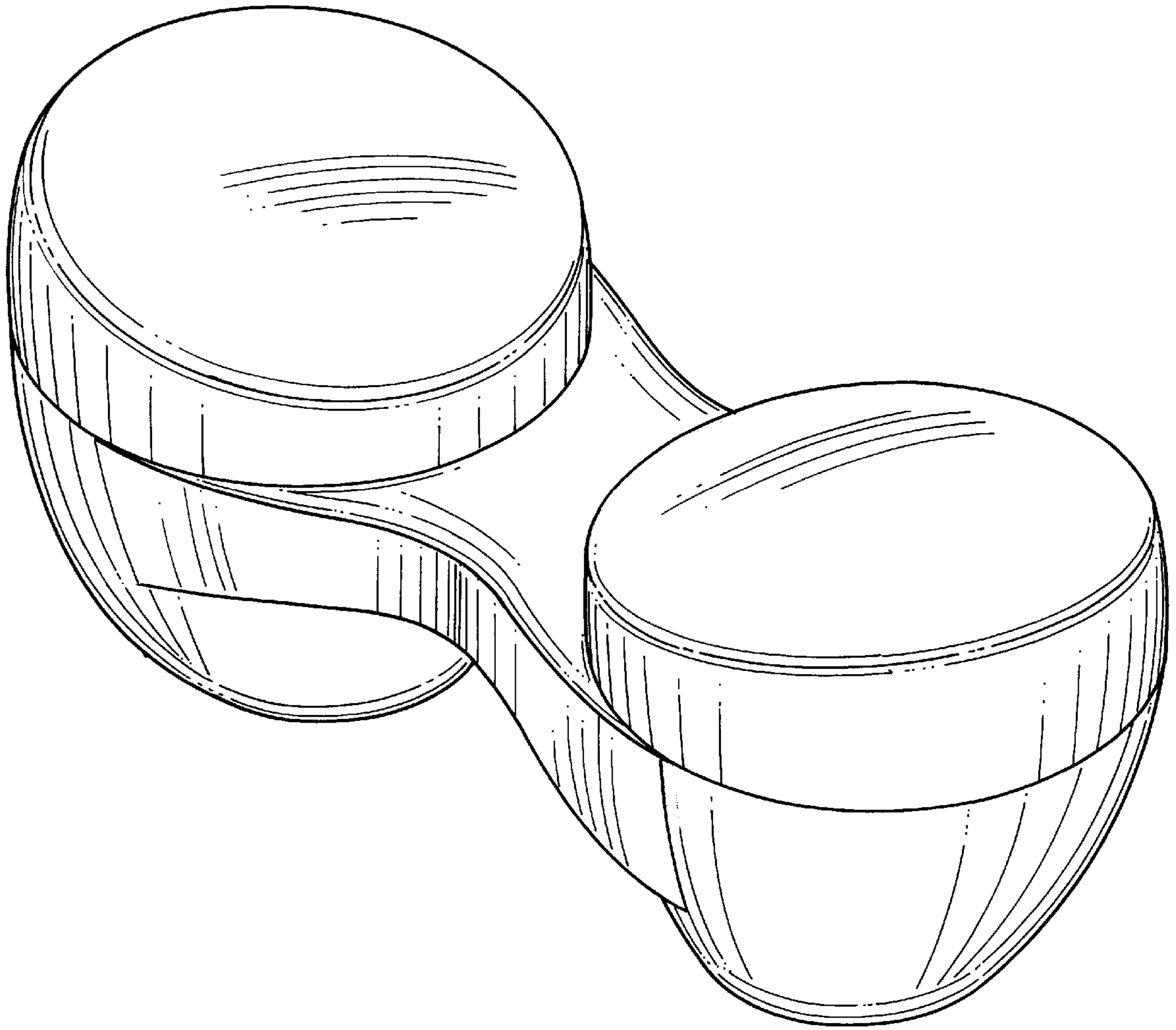


FIG. 1

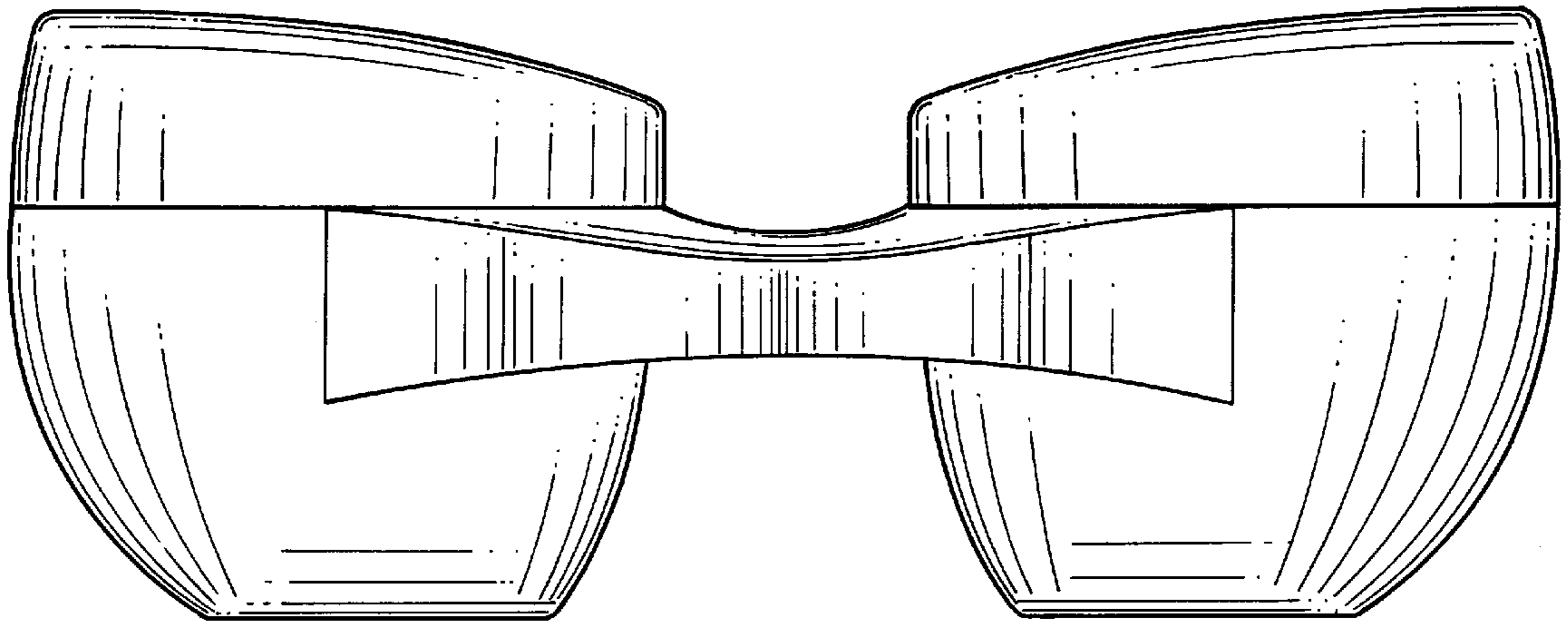


FIG. 2

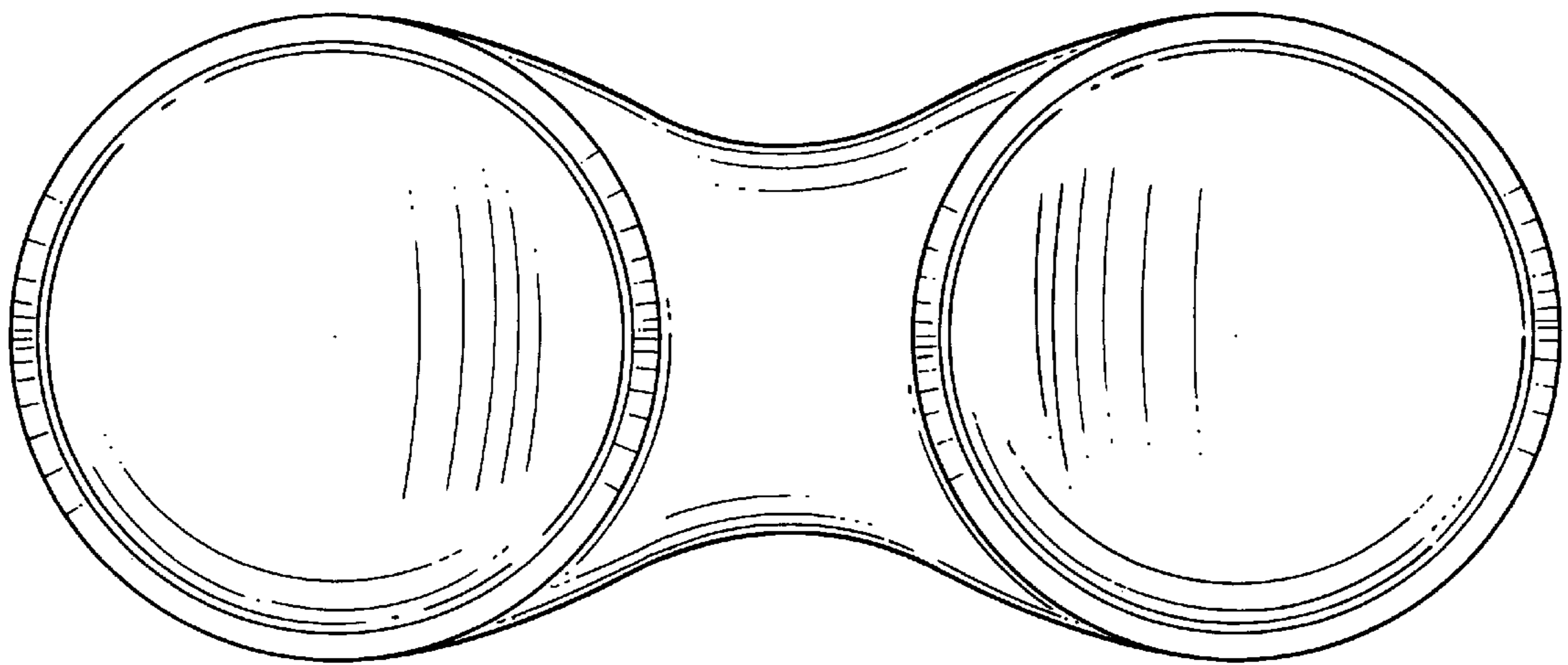


FIG. 3

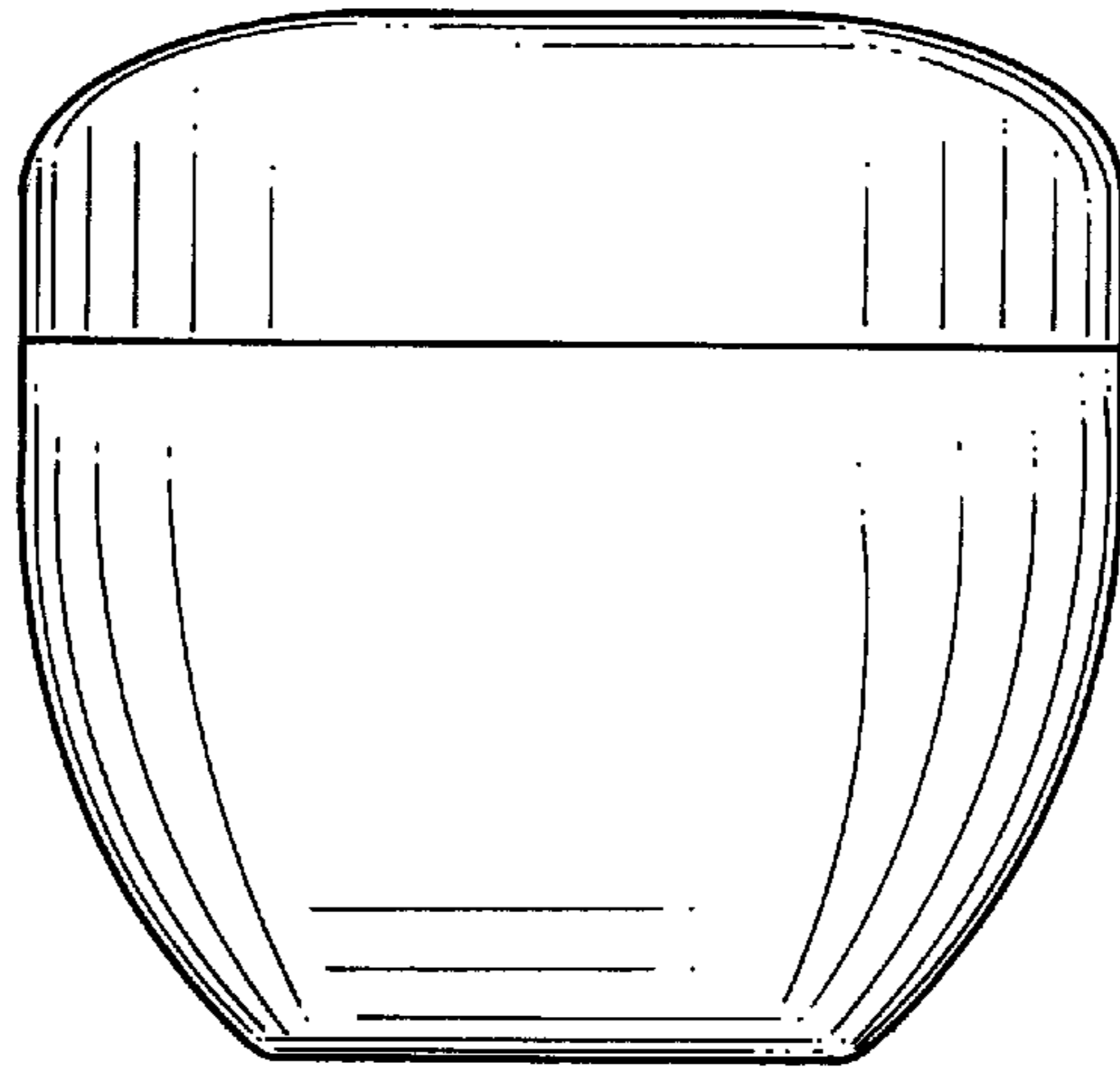


FIG. 4

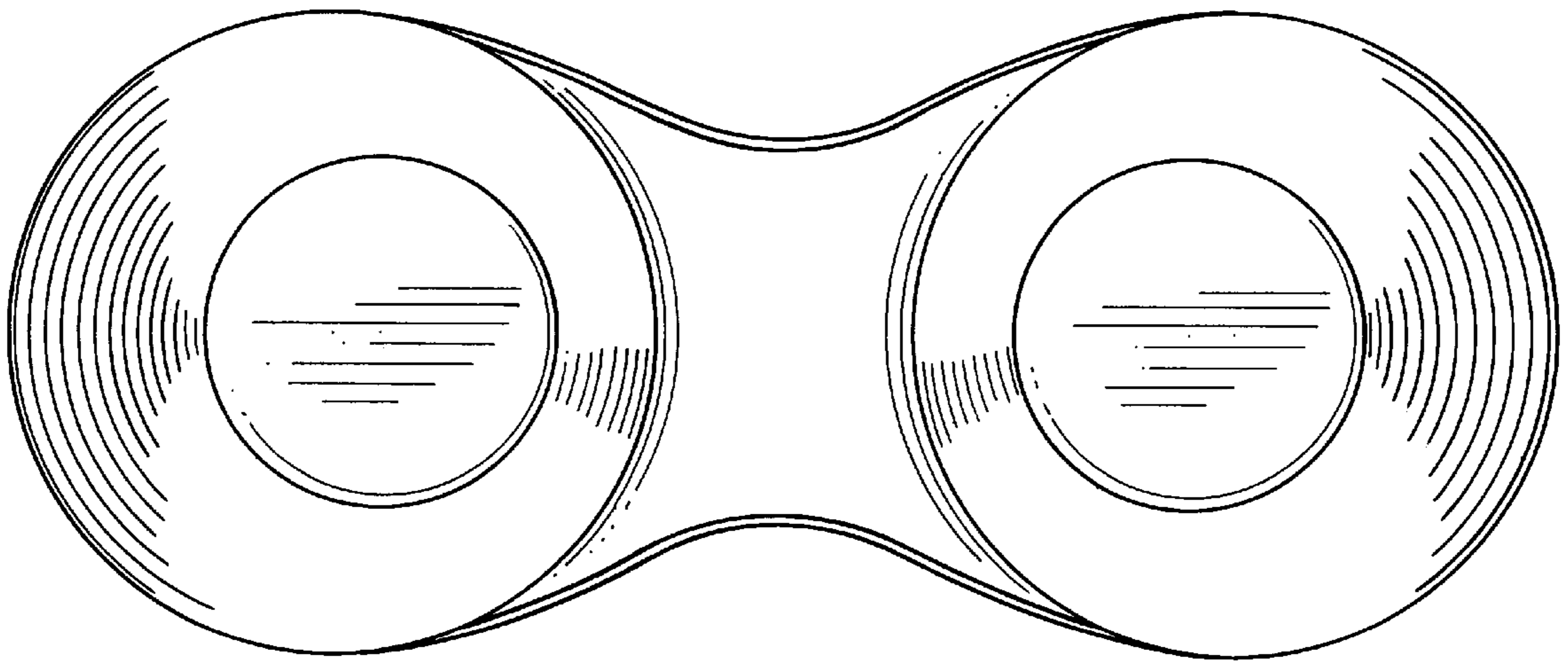


FIG. 5

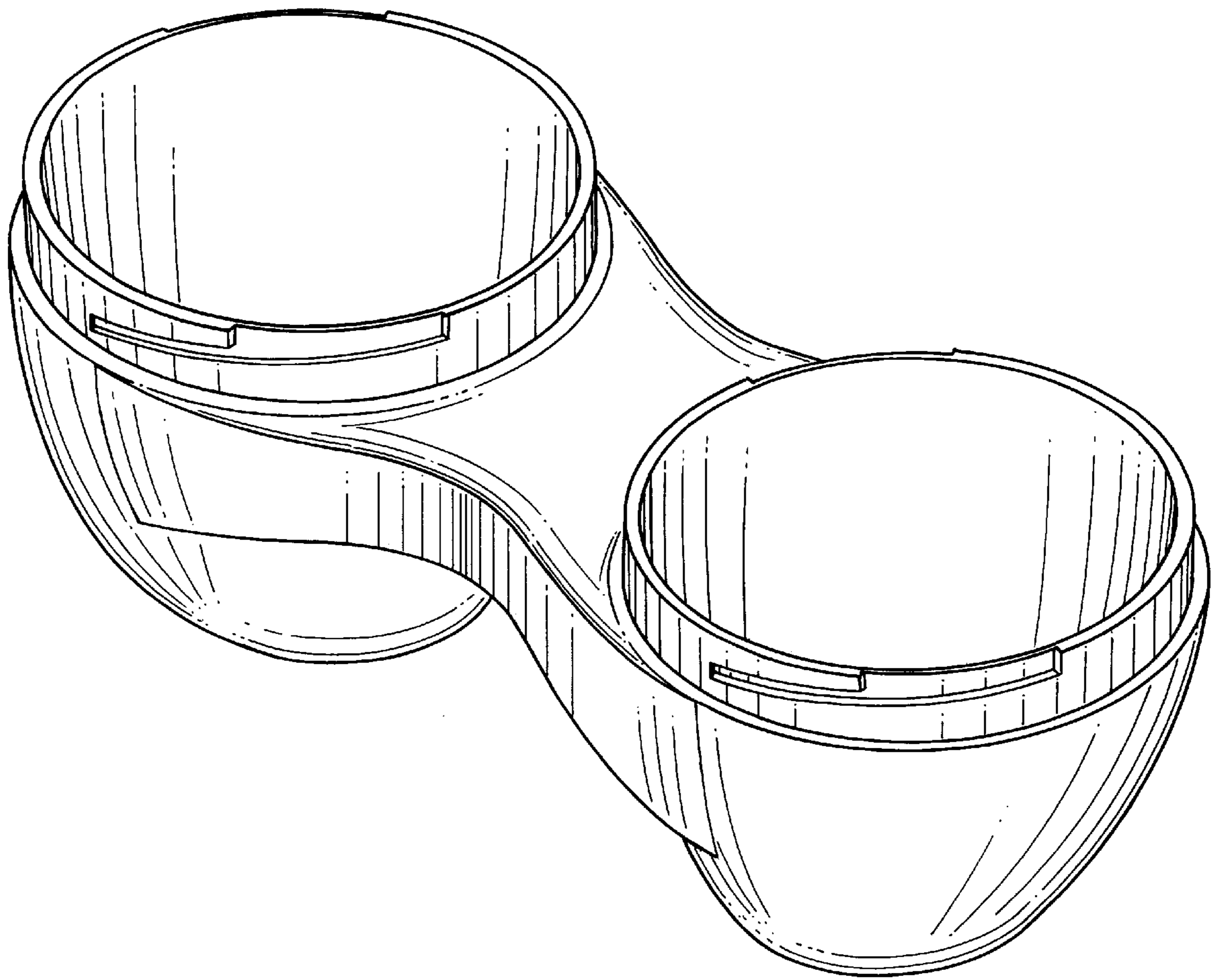


FIG. 6