



US00D437658S

(12) **United States Design Patent**
Dolan

(10) **Patent No.:** **US D437,658 S**

(45) **Date of Patent:** **** Feb. 13, 2001**

(54) **LAMP COMPONENT**

(76) Inventor: **Patrick S. Dolan**, 1901 NW. Upshur,
Portland, OR (US) 97209

(**) Term: **14 Years**

(21) Appl. No.: **29/111,266**

(22) Filed: **Sep. 23, 1999**

(51) **LOC (7) Cl.** **26-99**

(52) **U.S. Cl.** **D26/153**

(58) **Field of Search** D26/142, 143,
D26/144, 145, 148, 149, 152, 153, 155;
362/404-408

(56) **References Cited**

U.S. PATENT DOCUMENTS

- D. 398,070 * 9/1998 Von Kluck D26/84
- D. 406,671 * 3/1999 Tsuji D26/84
- D. 431,314 * 9/2000 Dolan D26/86

OTHER PUBLICATIONS

Forecast 1600 Fleetwood Dr Elgin IL 60123 Catalog
F27366-1999 p. 11 Model 1472-40.

World Imports PO Box 7748 Station C Atlanta GA 30309
Catalog 17, 1990 p. 53 Model 4666-010.

Framburg 941 Cernan Dr Bellwood IL 60104 Catalog 2000
p. 43 Model 8575.

Framburg, 941 Cernan Dr, Bellwood IL 60104, Catalog
2000, p. 30 Model 8233.

Troy Lighting 14625 E. Clark City of Ind. CA 91745 Catlog
1999 p. 5, Model L72662AB.

Taiwan Lighting, Aug. 1997, p. 66, chandelier #6079.*

* cited by examiner

Primary Examiner—Susan J. Lucas

(57) **CLAIM**

The ornamental design for a lamp component, as shown and
described.

DESCRIPTION

FIG. 1 is a perspective view thereof;

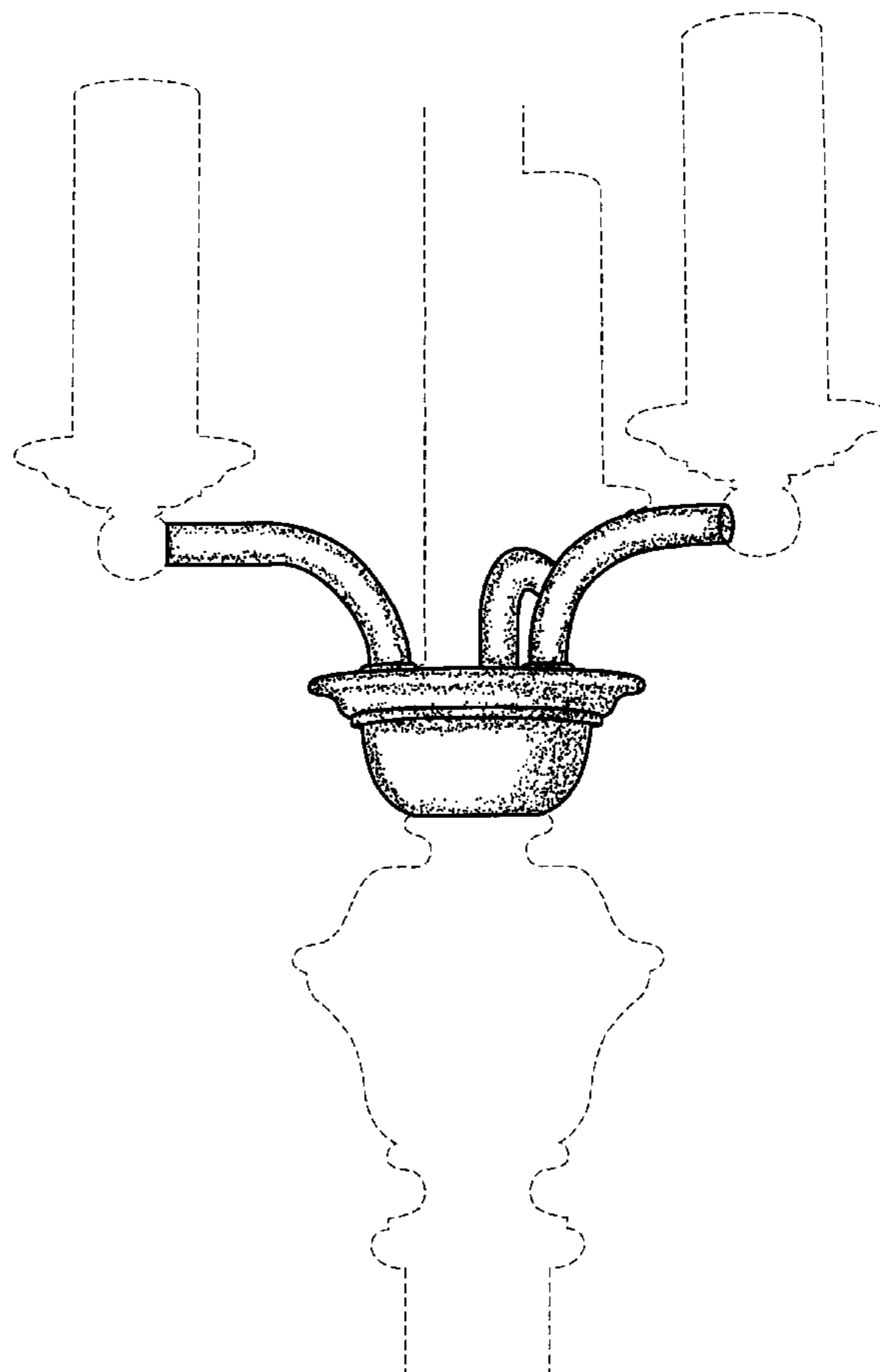
FIG. 2 is a front elevational view thereof;

FIG. 3 is a top plan view thereof; and,

FIG. 4 is a bottom plan view thereof.

The broken lines shown in the drawing are environmental
only and form no part of the claimed design.

1 Claim, 4 Drawing Sheets



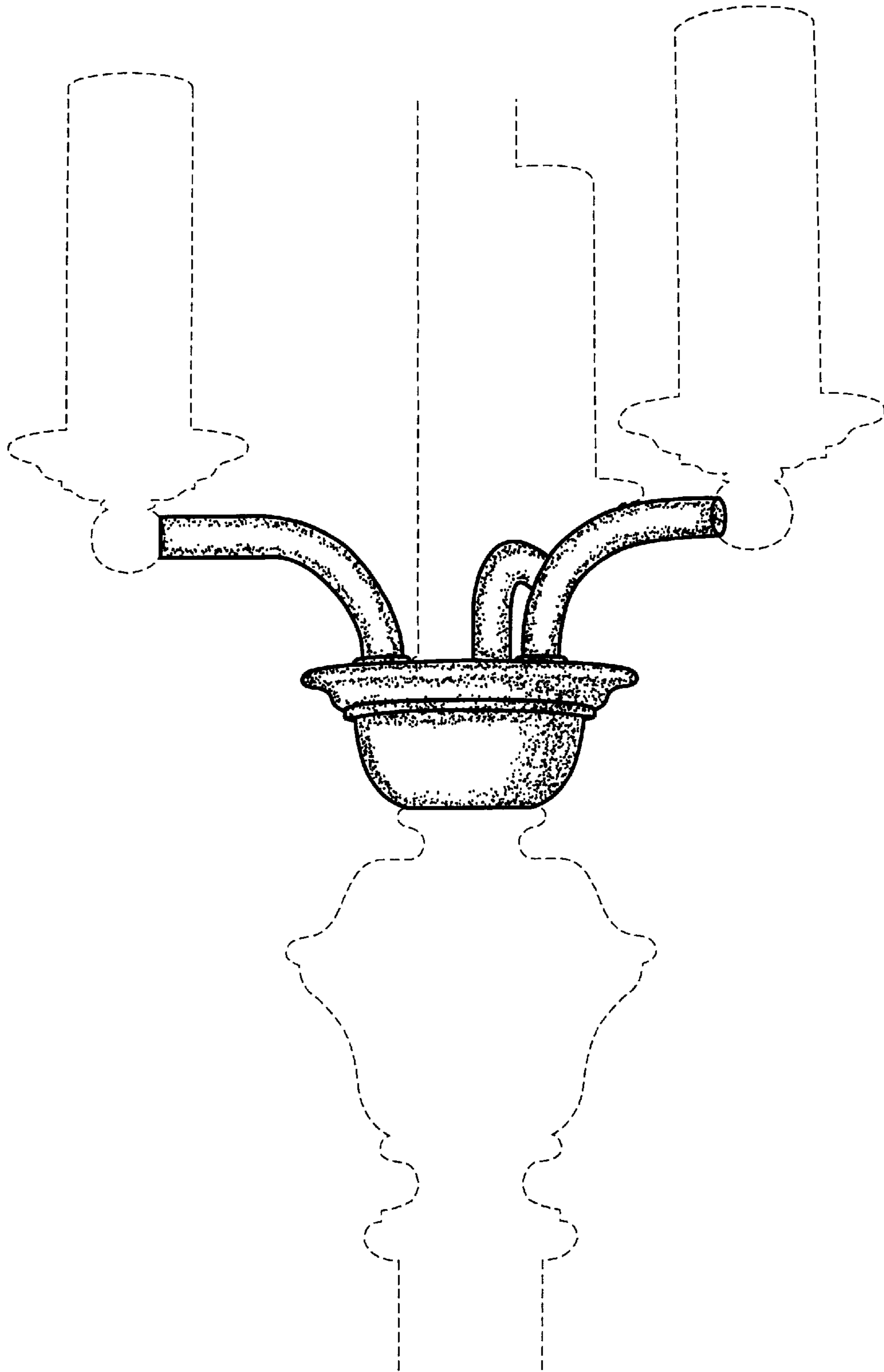


FIG. 1

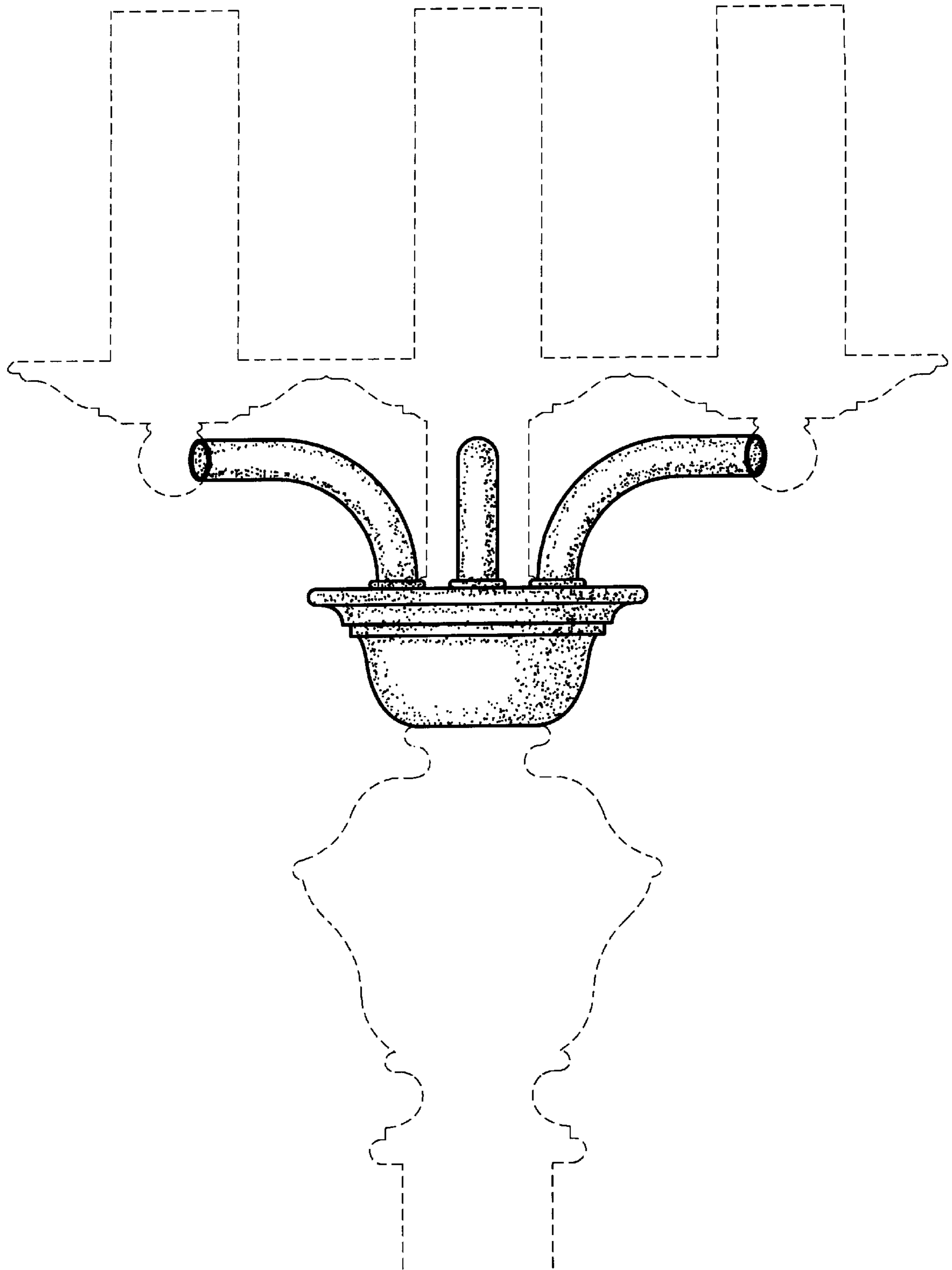


FIG. 2

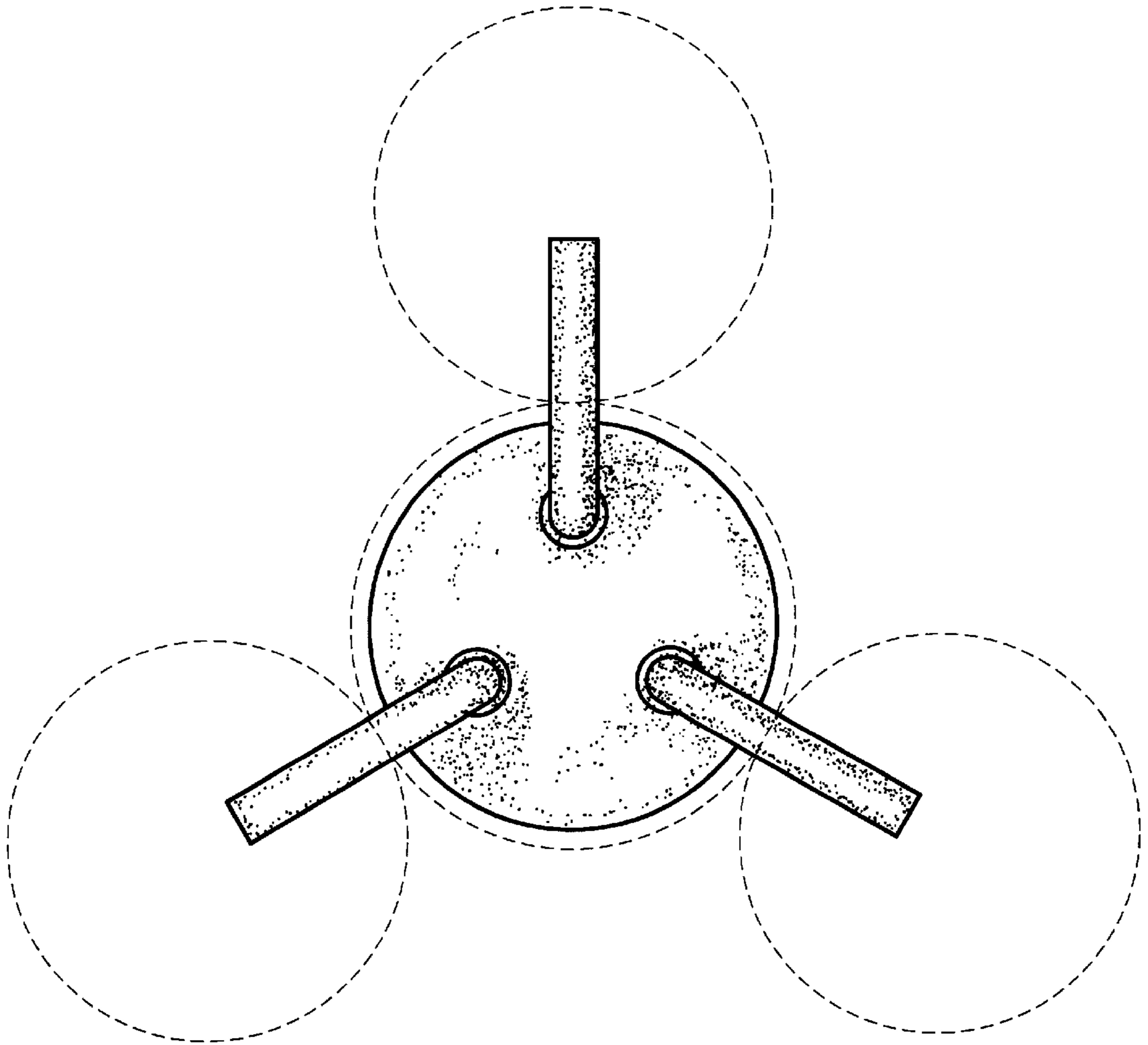


FIG. 3

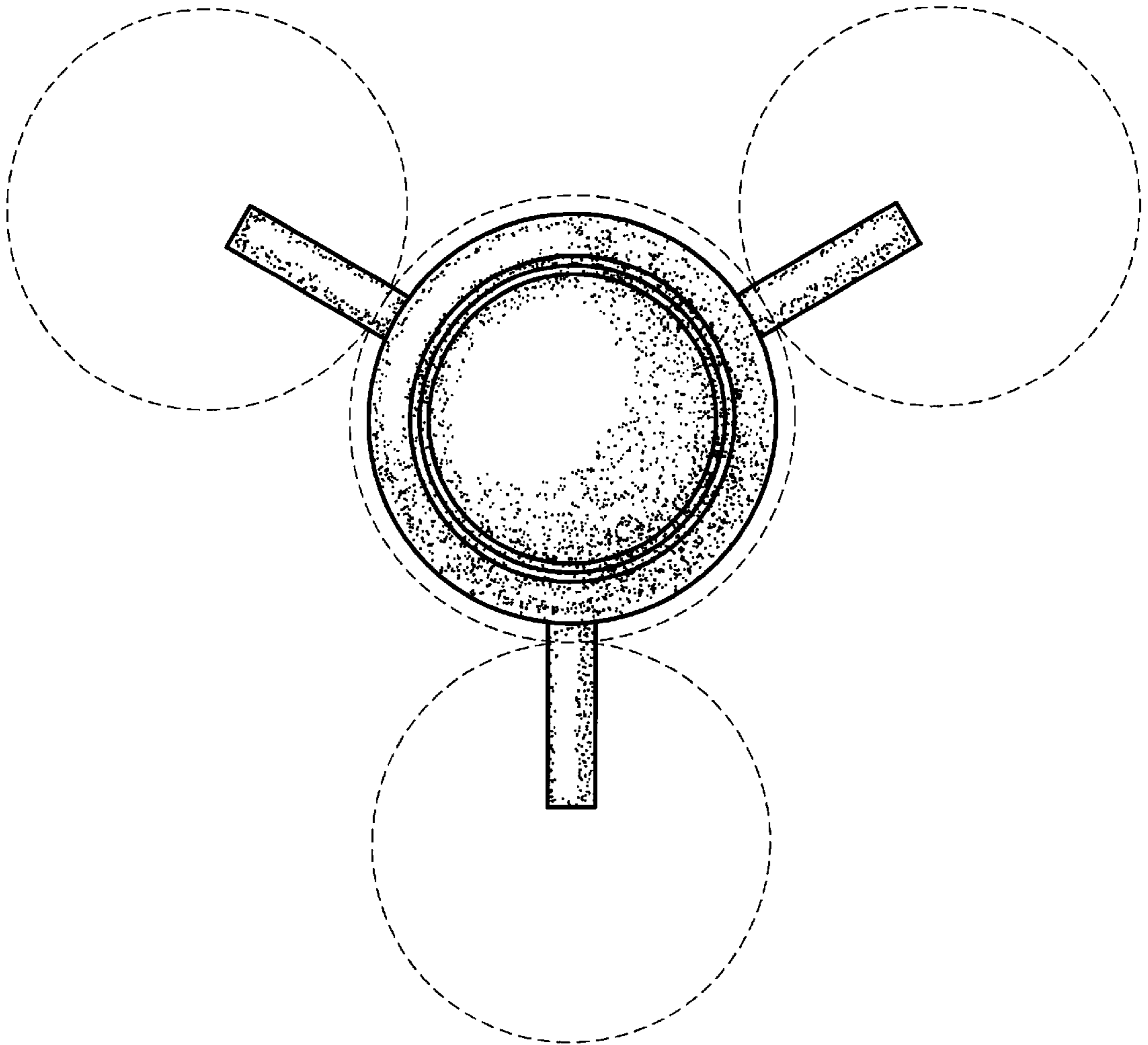


FIG. 4