



US00D437654S

(12) **United States Design Patent**
Chen

(10) **Patent No.:** **US D437,654 S**

(45) **Date of Patent:** **** Feb. 13, 2001**

(54) **COMBINED LENS AND FRAME FOR A LAMP**

Primary Examiner—Susan J. Lucas
(74) *Attorney, Agent, or Firm*—Bacon & Thomas, PLLC

(76) **Inventor:** **Po-An Chen**, 1st Fl., No. 1155, Sec. 2, Chieh-Shou Rd., Jui-Fa Li, Ba-Te City, Taoyuan Hsien (TW)

(57) **CLAIM**

The ornamental design for the combined lens and frame for a lamp, as shown and described.

(**) **Term:** **14 Years**

DESCRIPTION

(21) **Appl. No.:** **29/101,138**

FIG. 1 is a perspective view of a combined lens and frame for a lamp showing my new design;

(22) **Filed:** **Feb. 24, 1999**

FIG. 2 is a front view thereof;

(51) **LOC (7) Cl.** **26-05**

FIG. 3 is a rear view thereof;

(52) **U.S. Cl.** **D26/74**

FIG. 4 is a left side view thereof;

(58) **Field of Search** D26/72, 80-92,
D26/74; 362/364, 365

FIG. 5 is a right side view thereof;

(56) **References Cited**

U.S. PATENT DOCUMENTS

D. 386,805 * 11/1997 Bonnette et al. D26/74

D. 417,027 * 11/1999 Cece D26/74

FIG. 6 is a top view thereof;

FIG. 7 is a bottom view thereof; and,

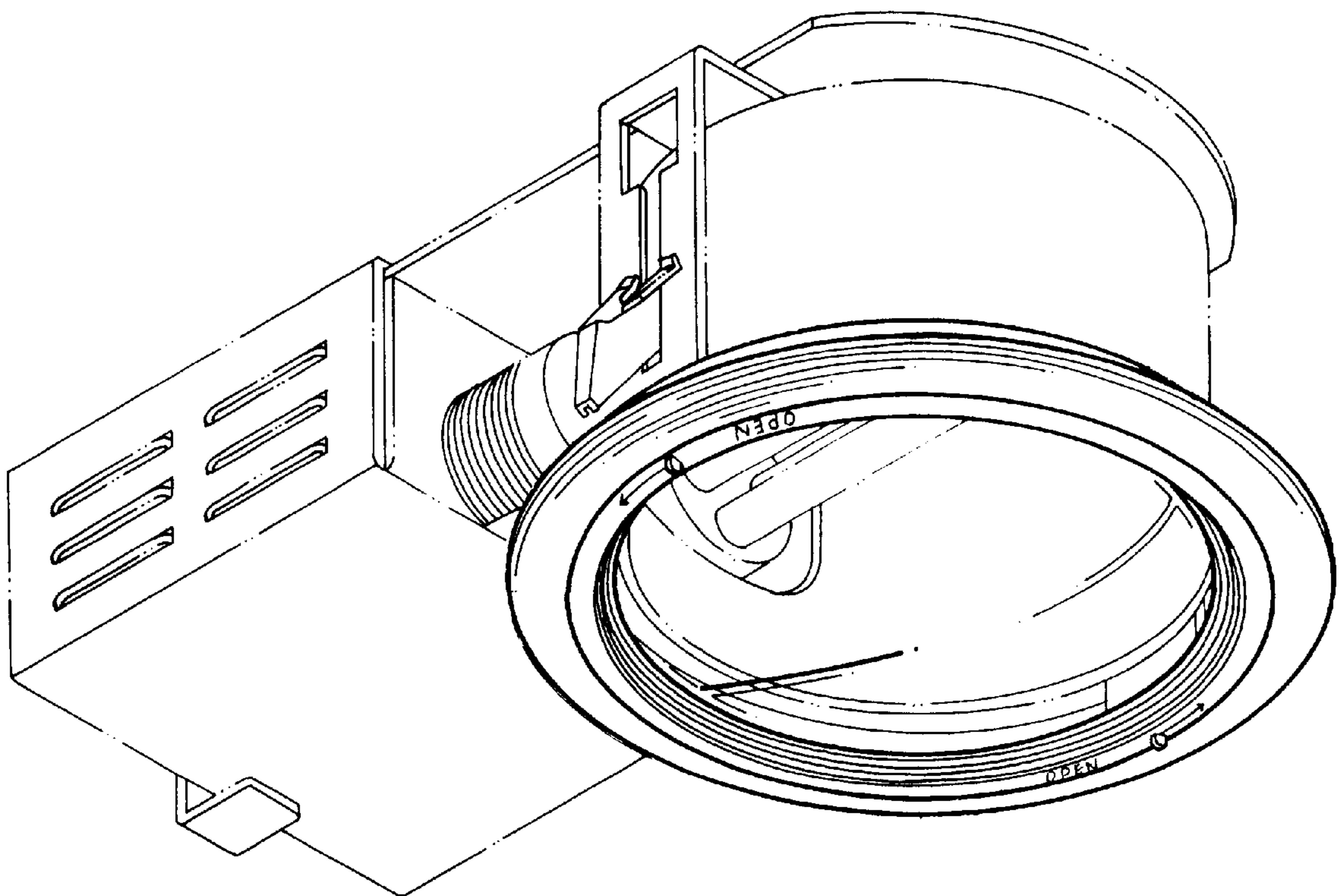
OTHER PUBLICATIONS

Lucifer Lighting Co. product specification page, 1991, mini-downlight.*

FIG. 8 is a view showing the combined lens and frame in assembly with a lamp, wherein the broken line portion is for illustrative purpose only and forms no part of the claimed design.

* cited by examiner

1 Claim, 6 Drawing Sheets



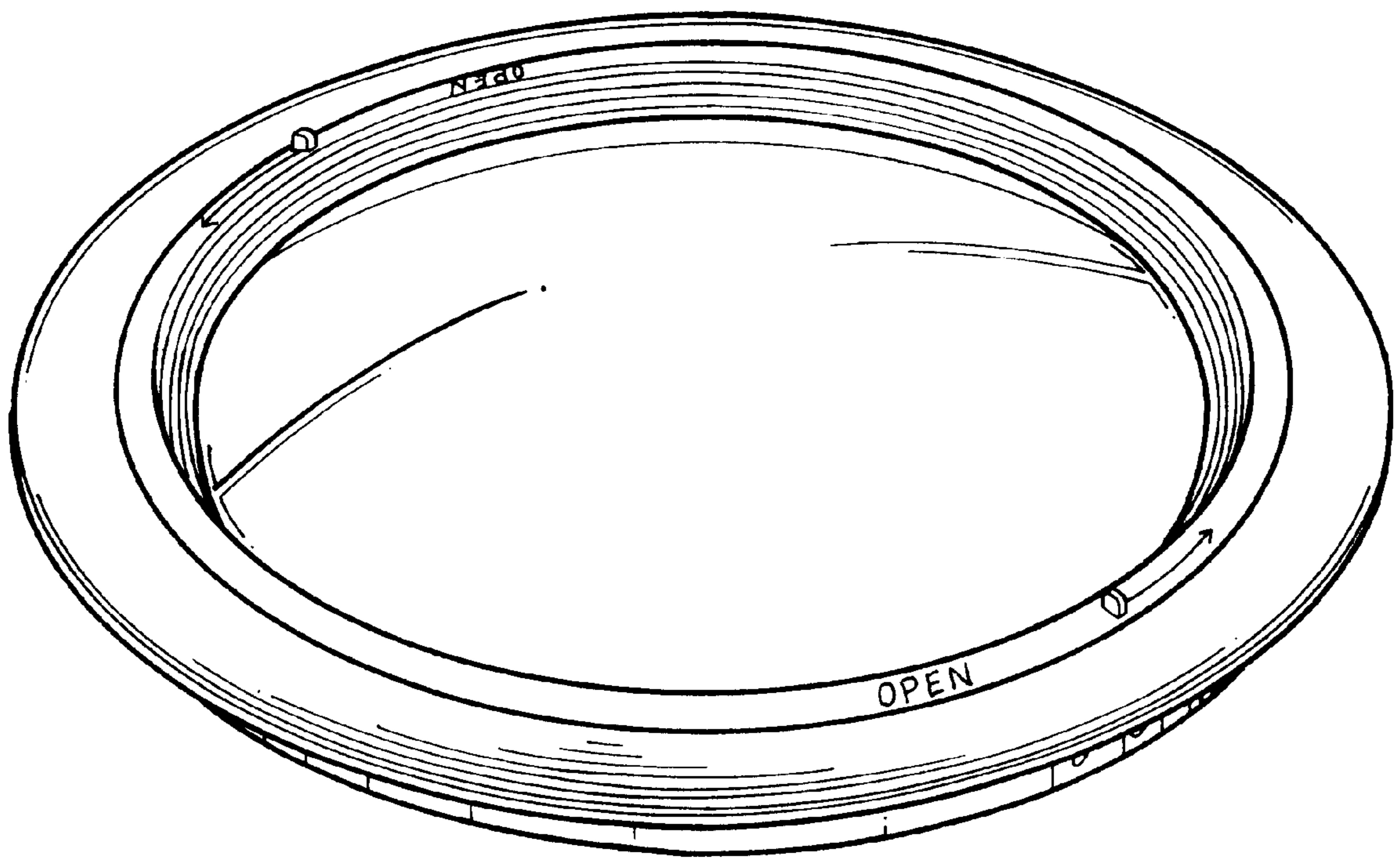


FIG. 1

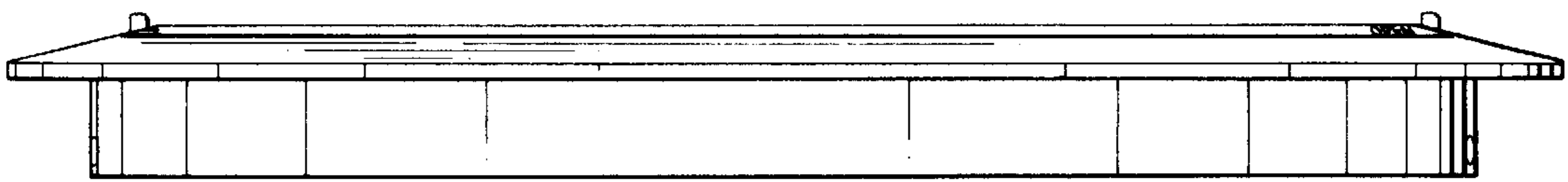


FIG. 2

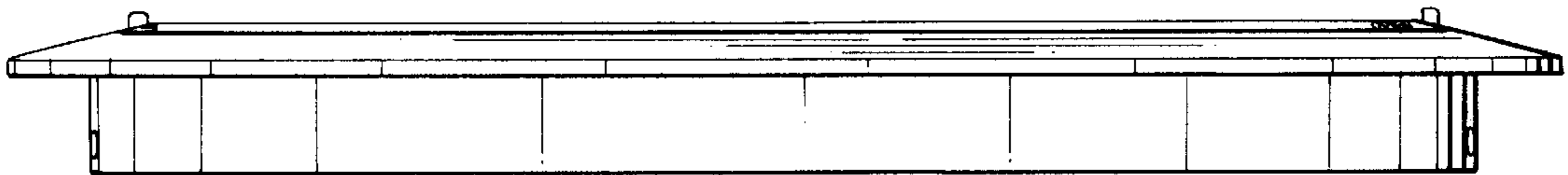


FIG. 3

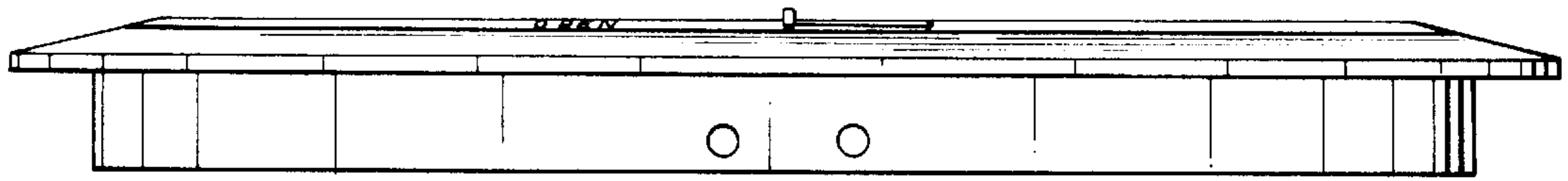


FIG. 4

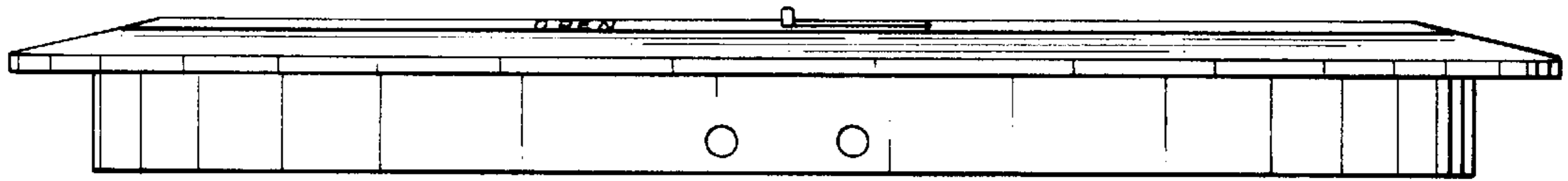


FIG. 5

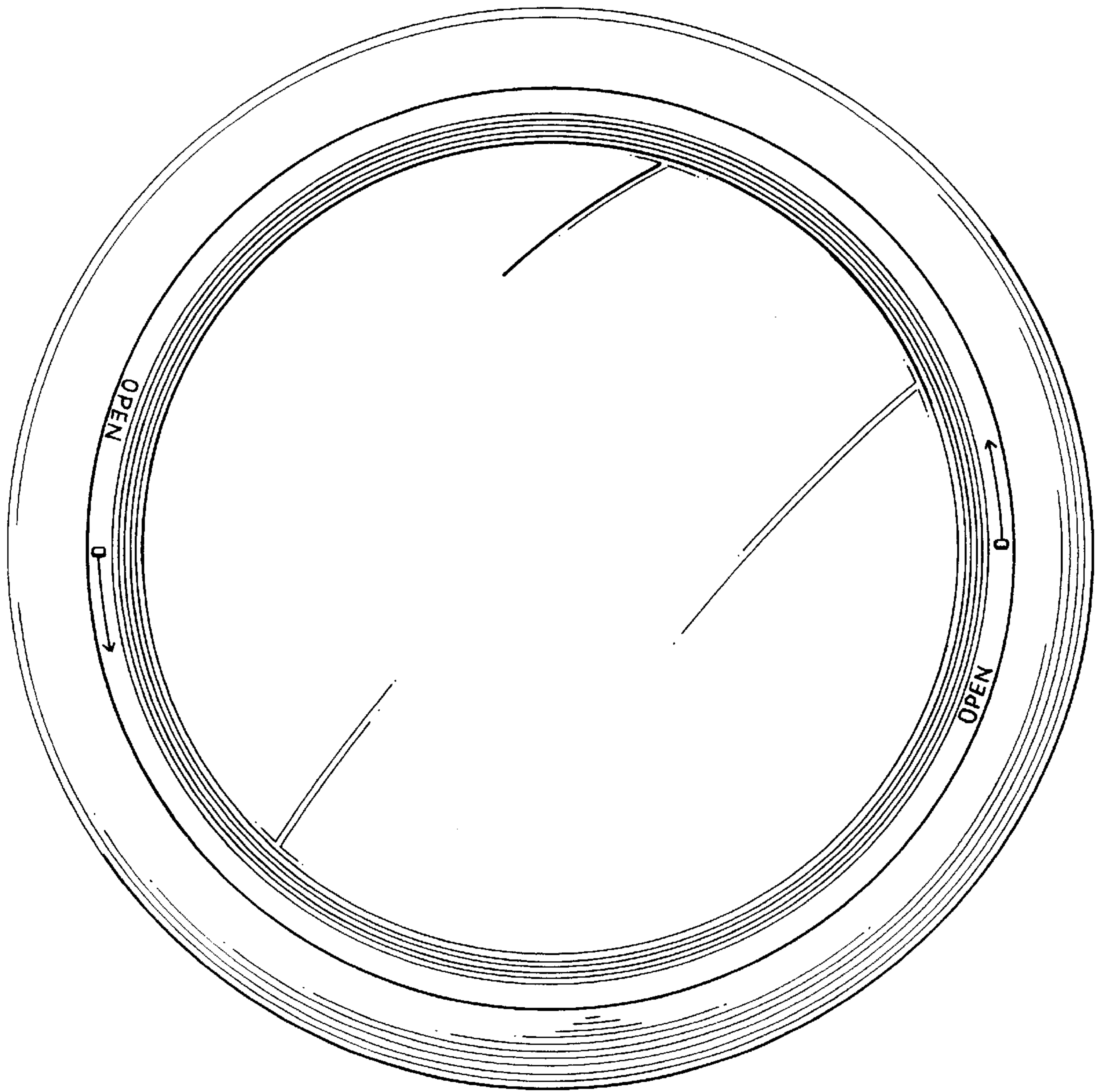


FIG. 6

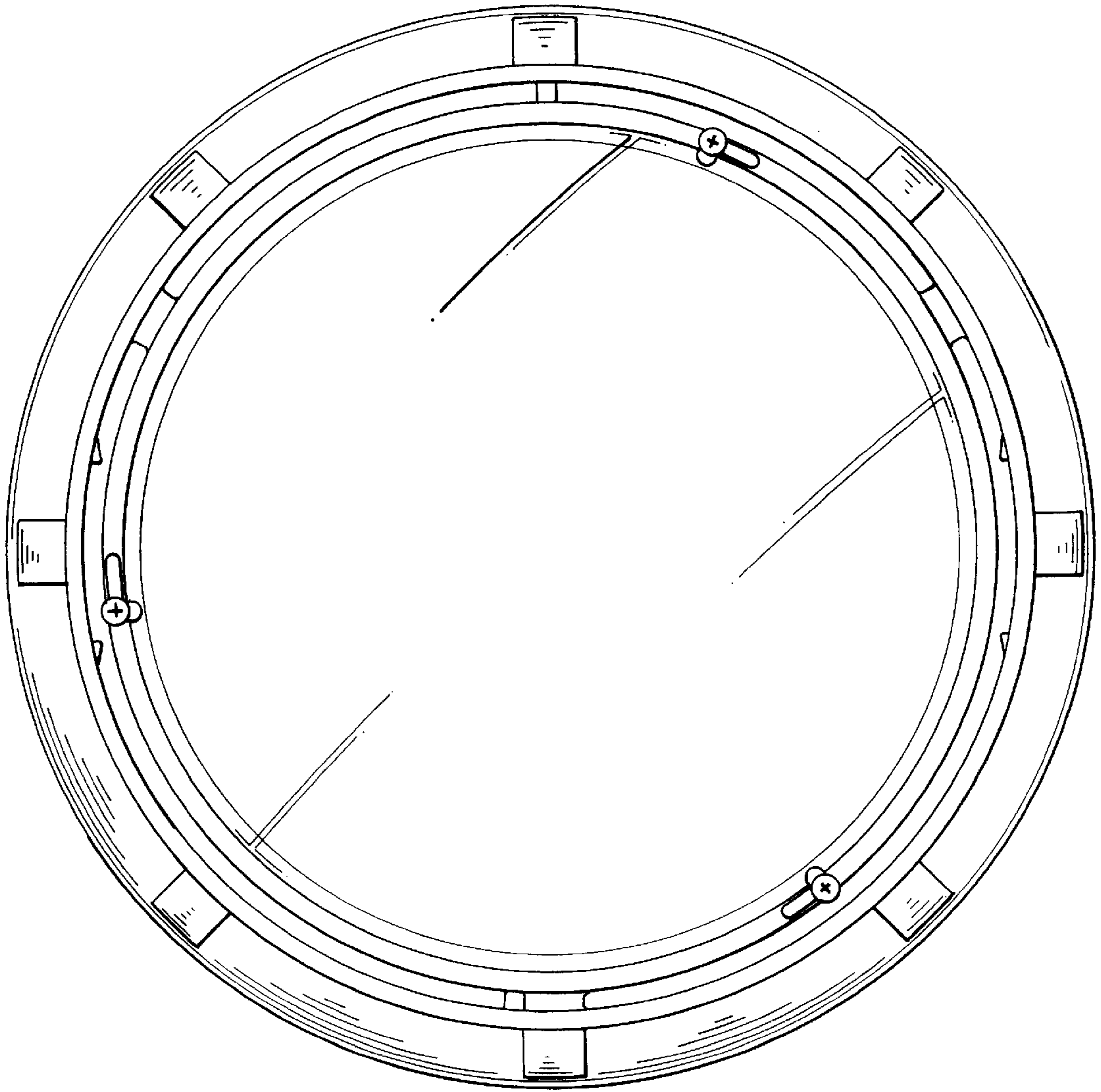


FIG. 7

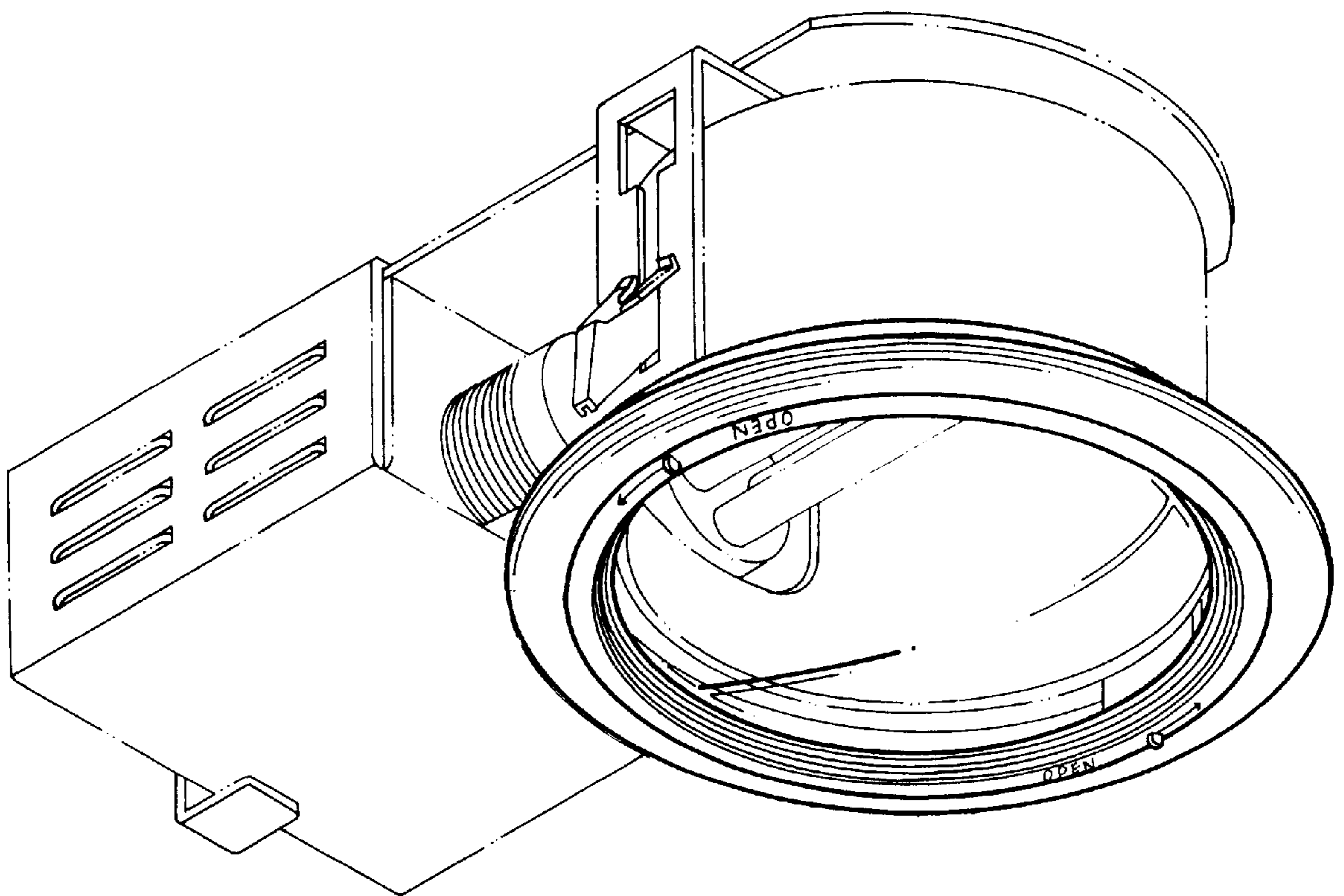


FIG. 8