



US00D437653S

(12) **United States Design Patent**
Hsu

(10) **Patent No.:** **US D437,653 S**

(45) **Date of Patent:** **** Feb. 13, 2001**

(54) **PENDENT LAMP**

(75) Inventor: **Keen Hsu**, Taichung (TW)

(73) Assignee: **Bright Yin Huey Co., Ltd.**, Taichung (TW)

(**) Term: **14 Years**

(21) Appl. No.: **29/104,533**

(22) Filed: **May 6, 1999**

(51) **LOC (7) Cl.** **26-05**

(52) **U.S. Cl.** **D26/72**

(58) **Field of Search** D26/72, 80-92,
D26/67-70; 362/147, 432, 431, 404-408,
367

(56) **References Cited**

PUBLICATIONS

Greene's lighting fixtures, Inc. catalog, 1988, p. 12.*
Home Lighting and Accessories, Mar. 1996, p. 11, ceiling
lamp decorative leaves.*

* cited by examiner

Primary Examiner—Susan J. Lucas

(74) *Attorney, Agent, or Firm*—Rosenberg, Klein & Lee

(57) **CLAIM**

The ornamental design for a pendent lamp, as shown and described.

DESCRIPTION

FIG. 1 is a perspective view of pendent lamp showing my new design;

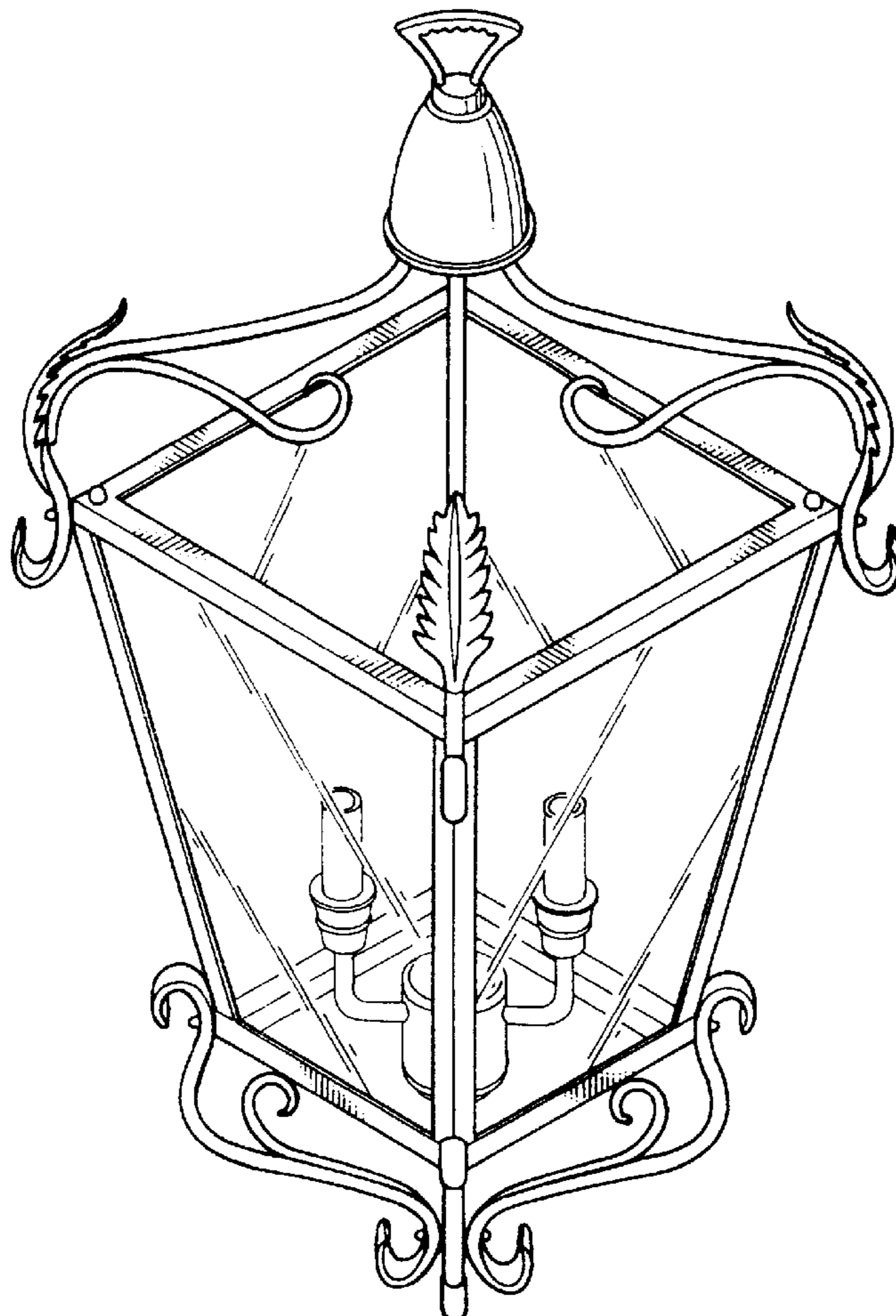
FIG. 2 is a front elevation view thereof, the rear elevation view thereof being identical in appearance;

FIG. 3 is a left side elevation view thereof, the right side elevation view thereof being identical in appearance;

FIG. 4 is a top plan view thereof; and,

FIG. 5 is a bottom plan view thereof.

1 Claim, 4 Drawing Sheets



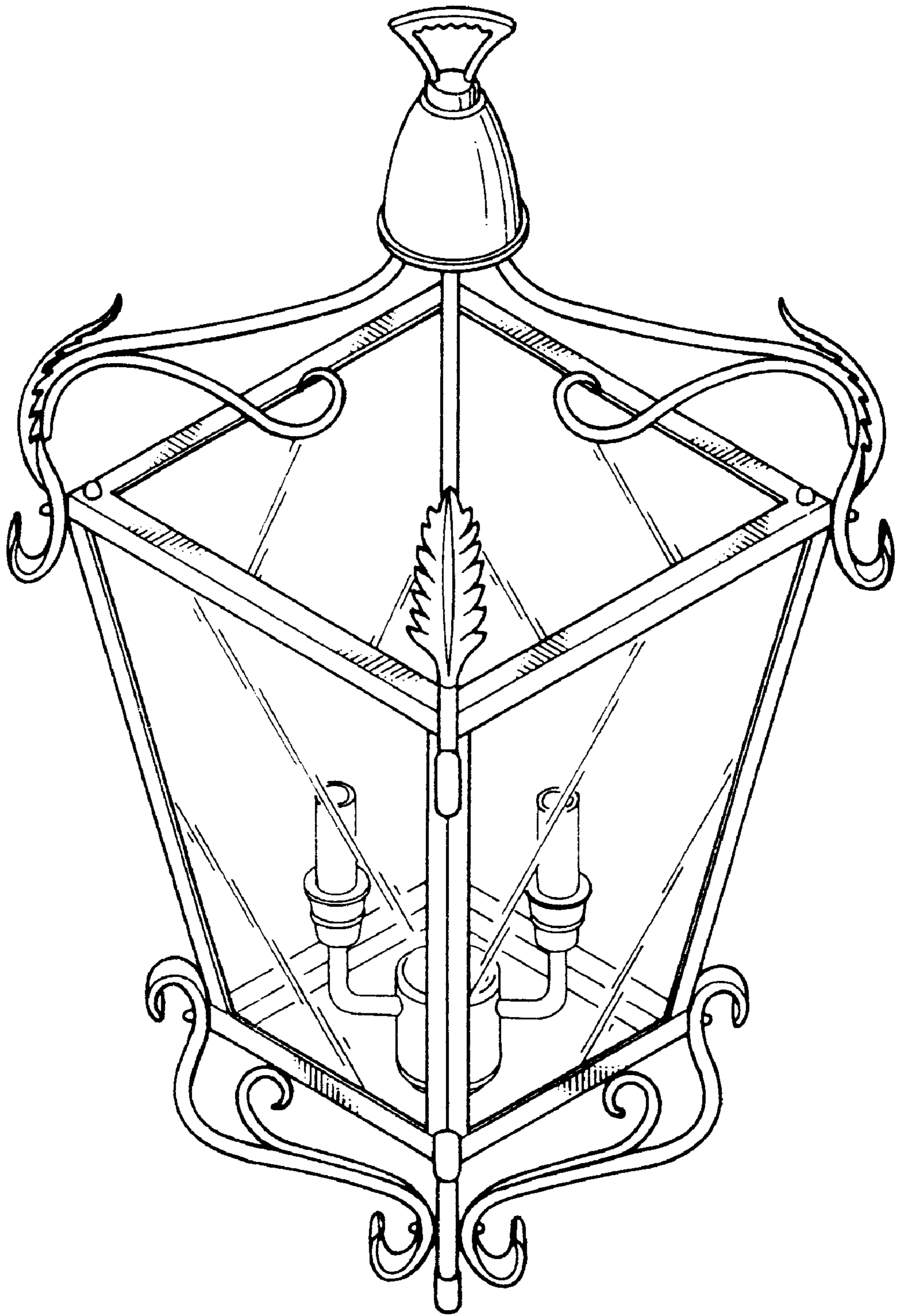


FIG. 1

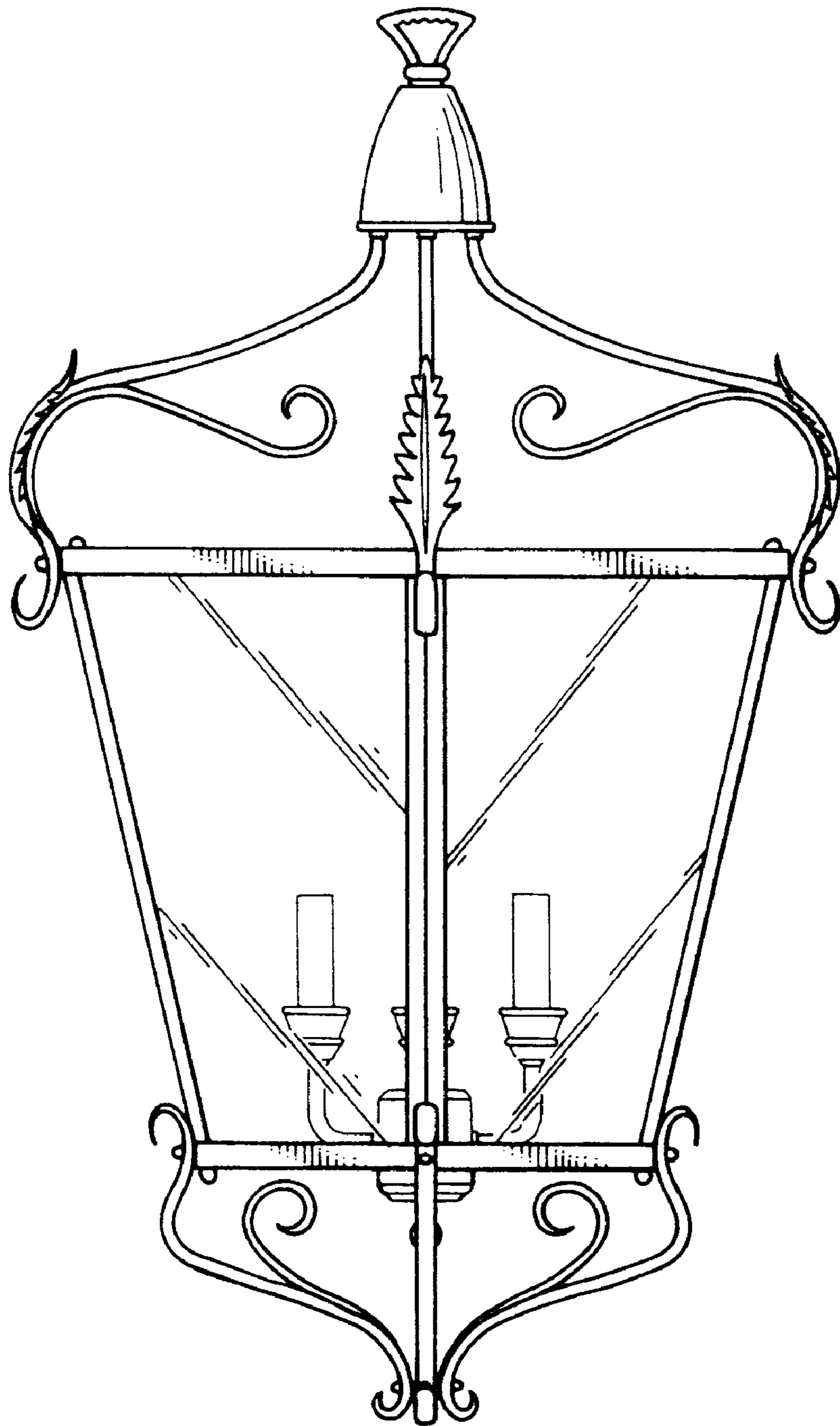


FIG. 2

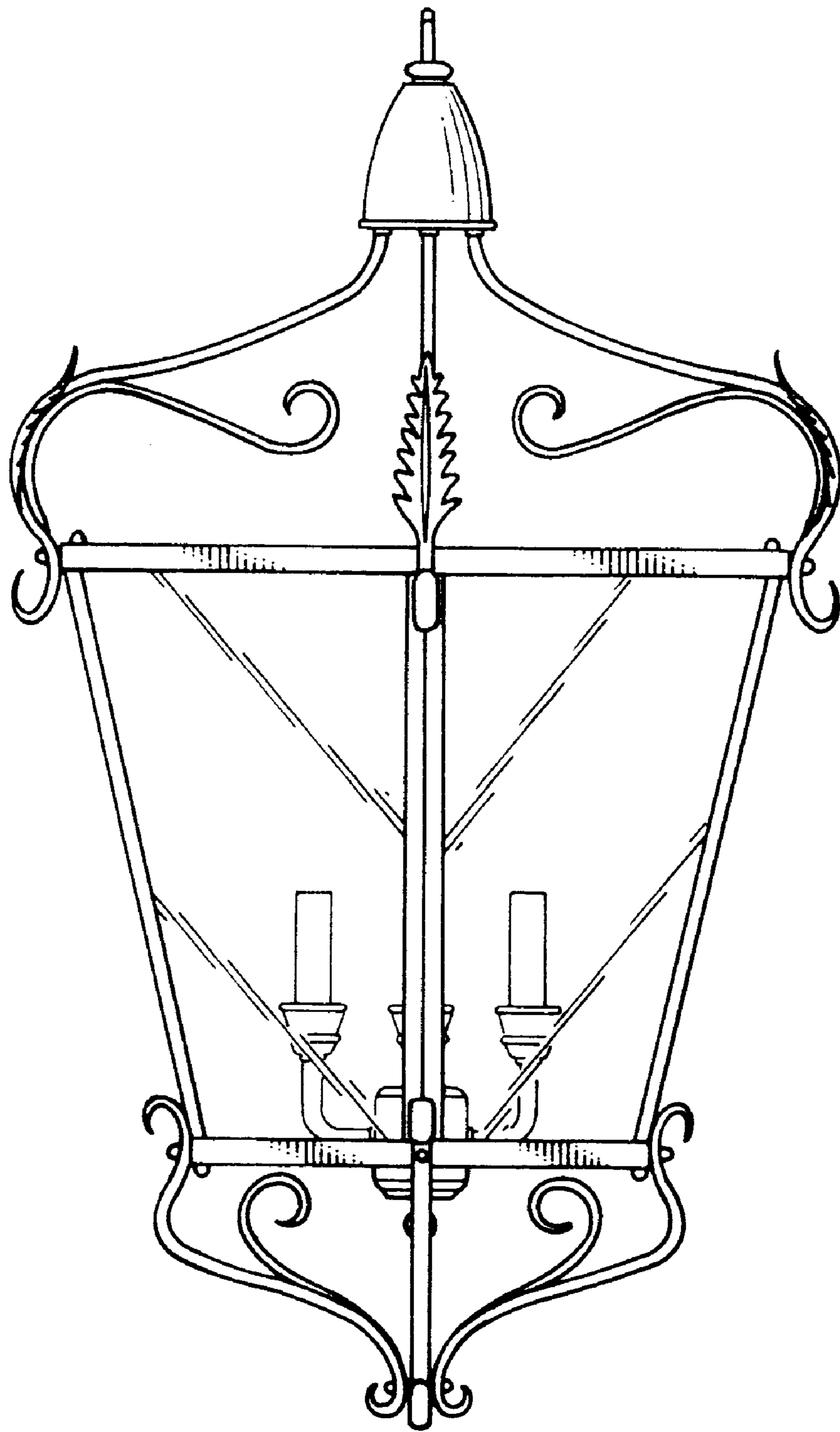


FIG. 3

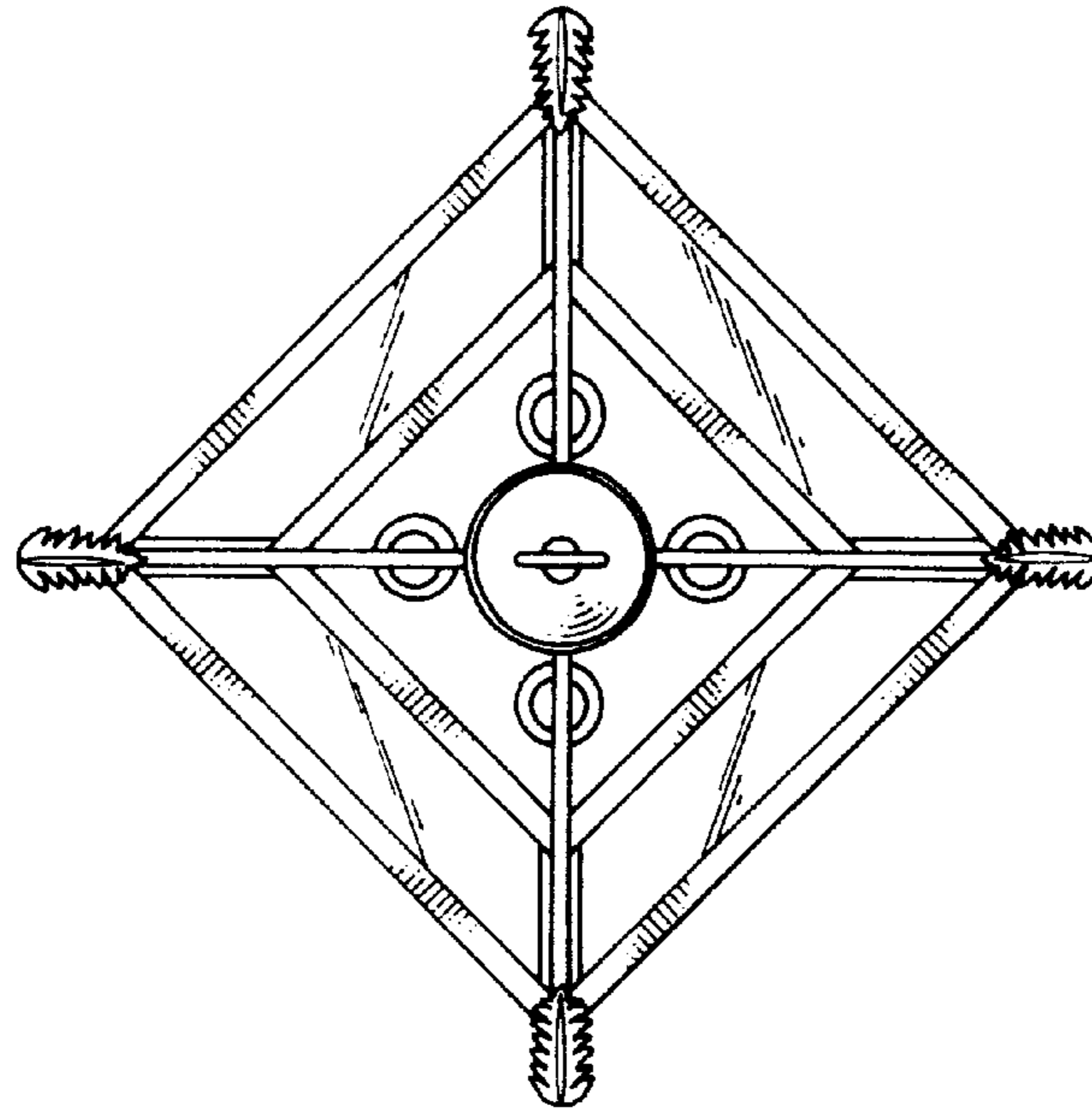


FIG. 4

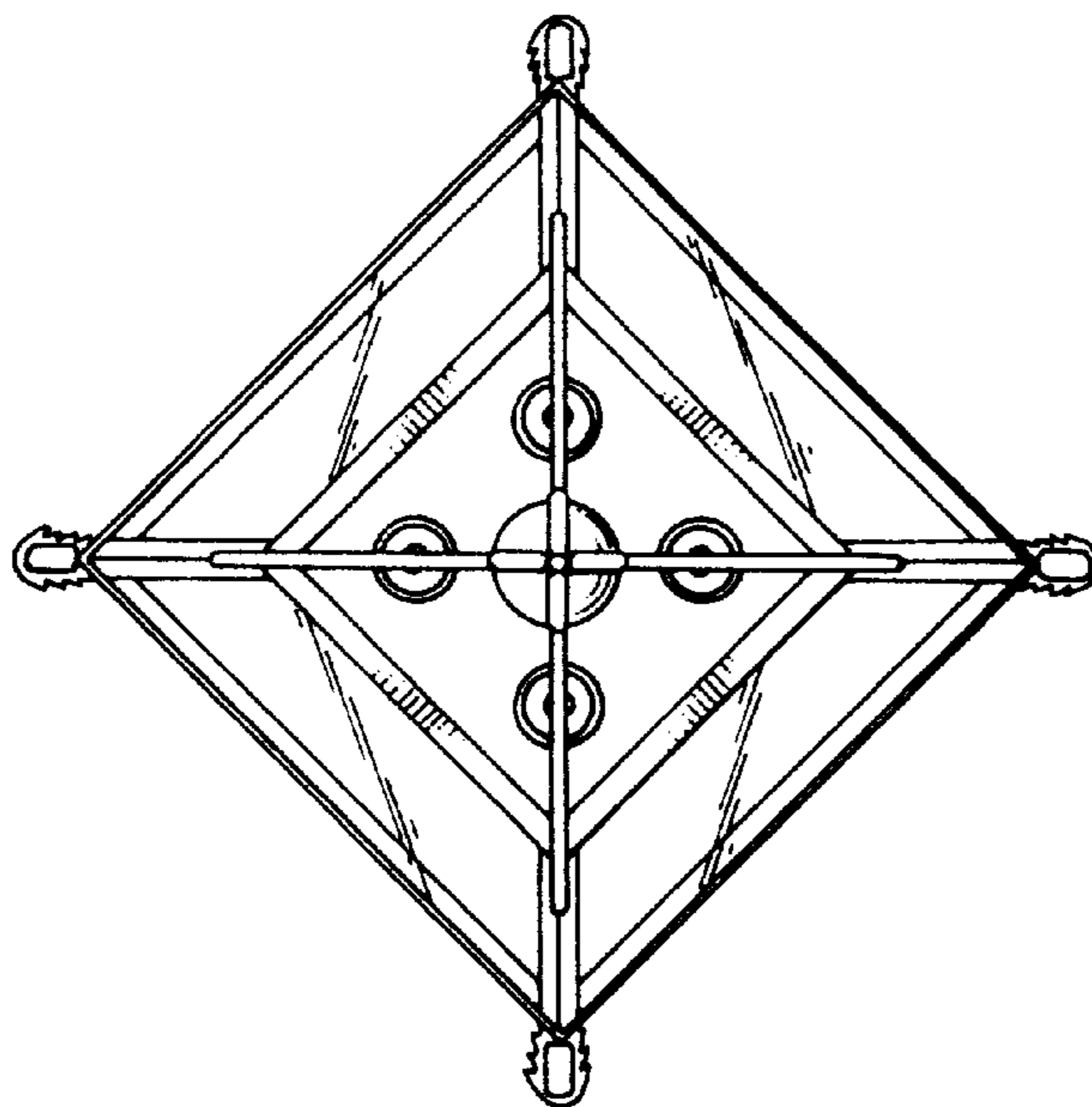


FIG. 5