



US00D437646S

(12) **United States Design Patent**
Higano et al.

(10) **Patent No.:** **US D437,646 S**

(45) **Date of Patent:** **** Feb. 13, 2001**

(54) **LAMP UNIT**

(75) Inventors: **Masahito Higano; Munehiko Yanagita; Katsunori Sato**, all of Tokyo (JP)

(73) Assignee: **Moriyama Sangyo Kabushiki Kaisha**, Tokyo (JP)

(**) Term: **14 Years**

(21) Appl. No.: **29/124,791**

(22) Filed: **Jun. 12, 2000**

(30) **Foreign Application Priority Data**

Dec. 25, 1999 (JP) 11-35750

(51) **LOC (7) Cl.** **26-06**

(52) **U.S. Cl.** **D26/2**

(58) **Field of Search** D26/1, 2, 3, 4;
313/113, 315, 317, 318, 578, 579

(56) **References Cited**

U.S. PATENT DOCUMENTS

D. 397,458 * 8/1998 Higano et al. D26/2

D. 404,506 * 1/1999 Lodhie D26/2

D. 405,201 * 2/1999 Lodhie D26/2

* cited by examiner

Primary Examiner—Marcus A. Jackson
(74) *Attorney, Agent, or Firm*—Marshall & Melhorn

(57) **CLAIM**

The ornamental design for a lamp unit, as shown and described.

DESCRIPTION

FIG. 1 is a top perspective view of a lamp unit showing our new design;

FIG. 2 is a top plan view thereof;

FIG. 3 is a front view thereof, the back view, right side view and left side view being identical to the front view;

FIG. 4 is a bottom plan view thereof;

FIG. 5 is a top plan view thereof with the lamps being omitted;

FIG. 6 is a cross-sectional view taken along lines VI—VI in FIG. 5;

FIG. 7 is an illustrative perspective view showing the lamp unit with a translucent cylindrical cover and a metallic base being attached thereto, the translucent cover and the metallic base shown in broken lines forming no part of the claimed design; and,

FIG. 8 is another illustrative perspective view showing the lamp unit with a reflector, covers and a code being attached thereto, the reflector, the covers and the code shown in broken lines forming no part of the claimed design.

1 Claim, 5 Drawing Sheets

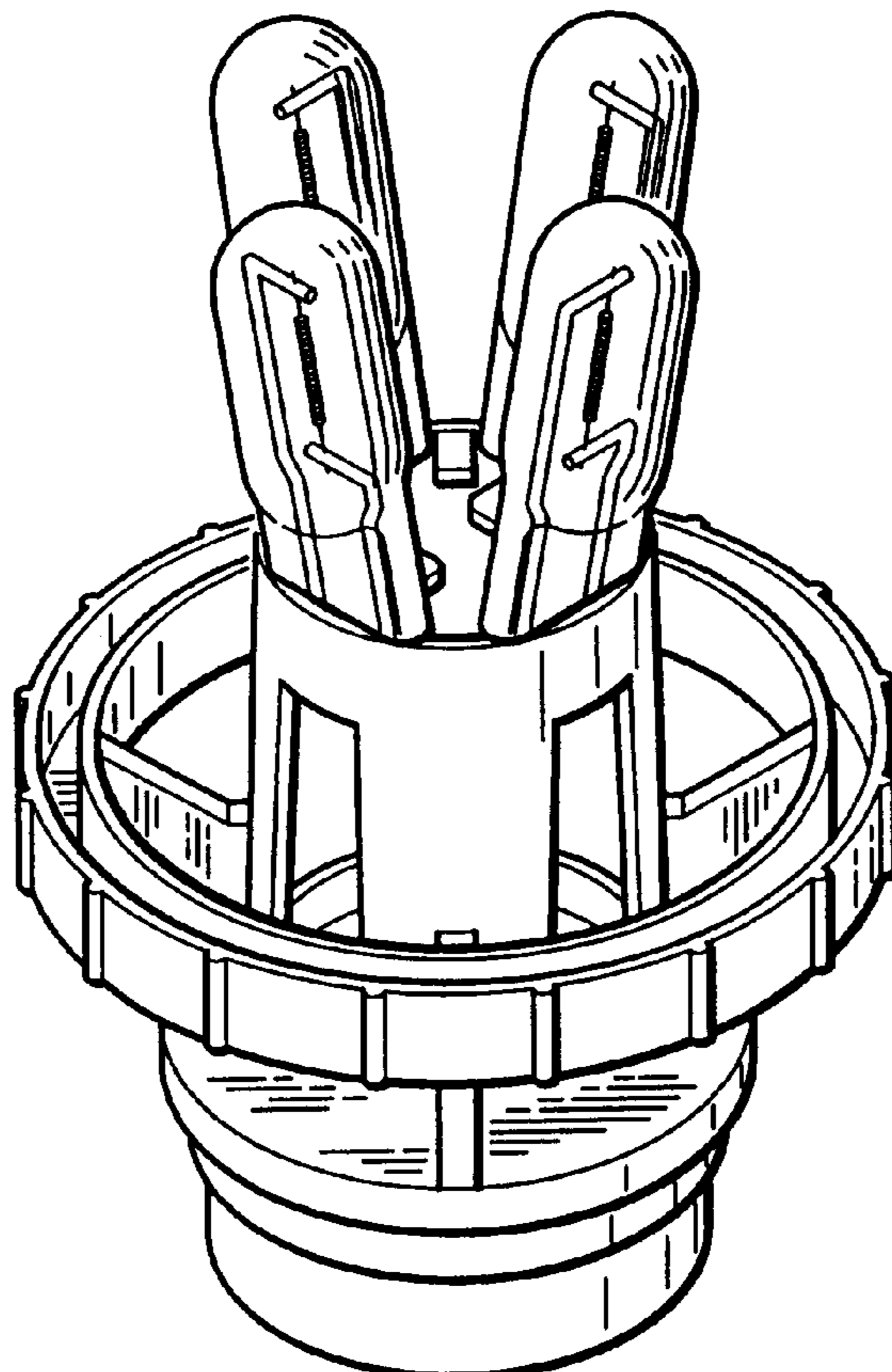


Fig. 1

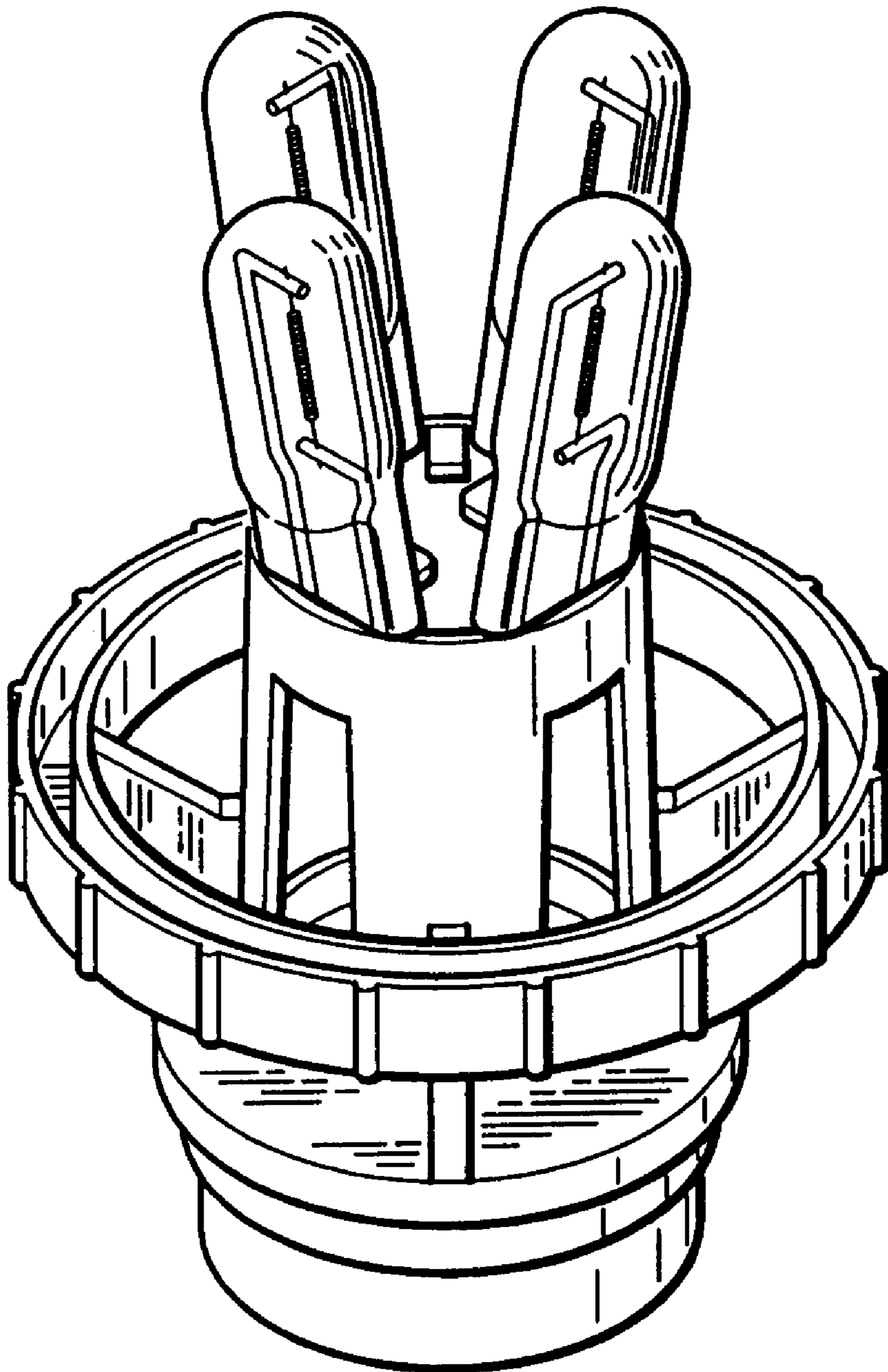


Fig. 2

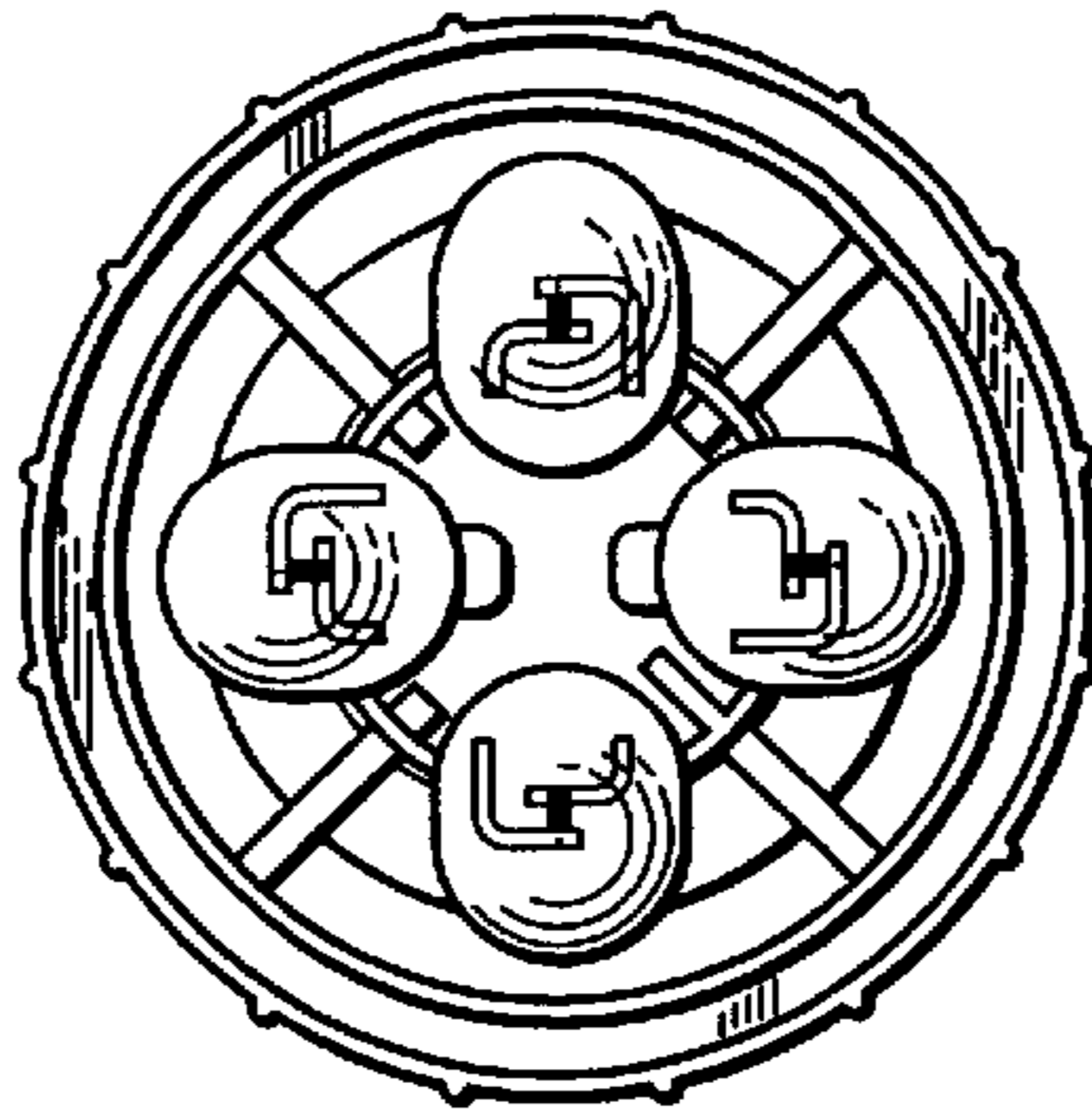


Fig. 3

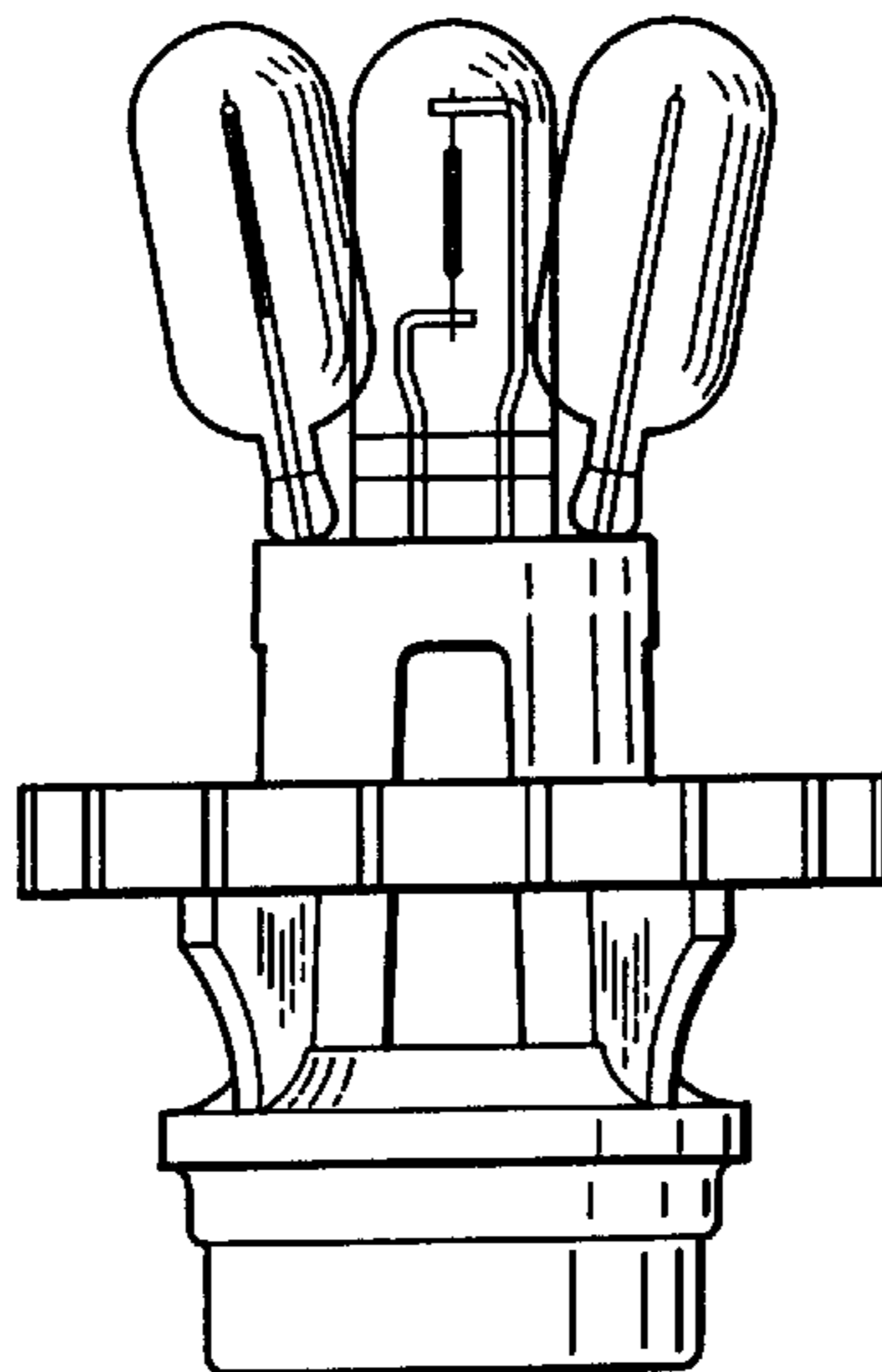


Fig. 4

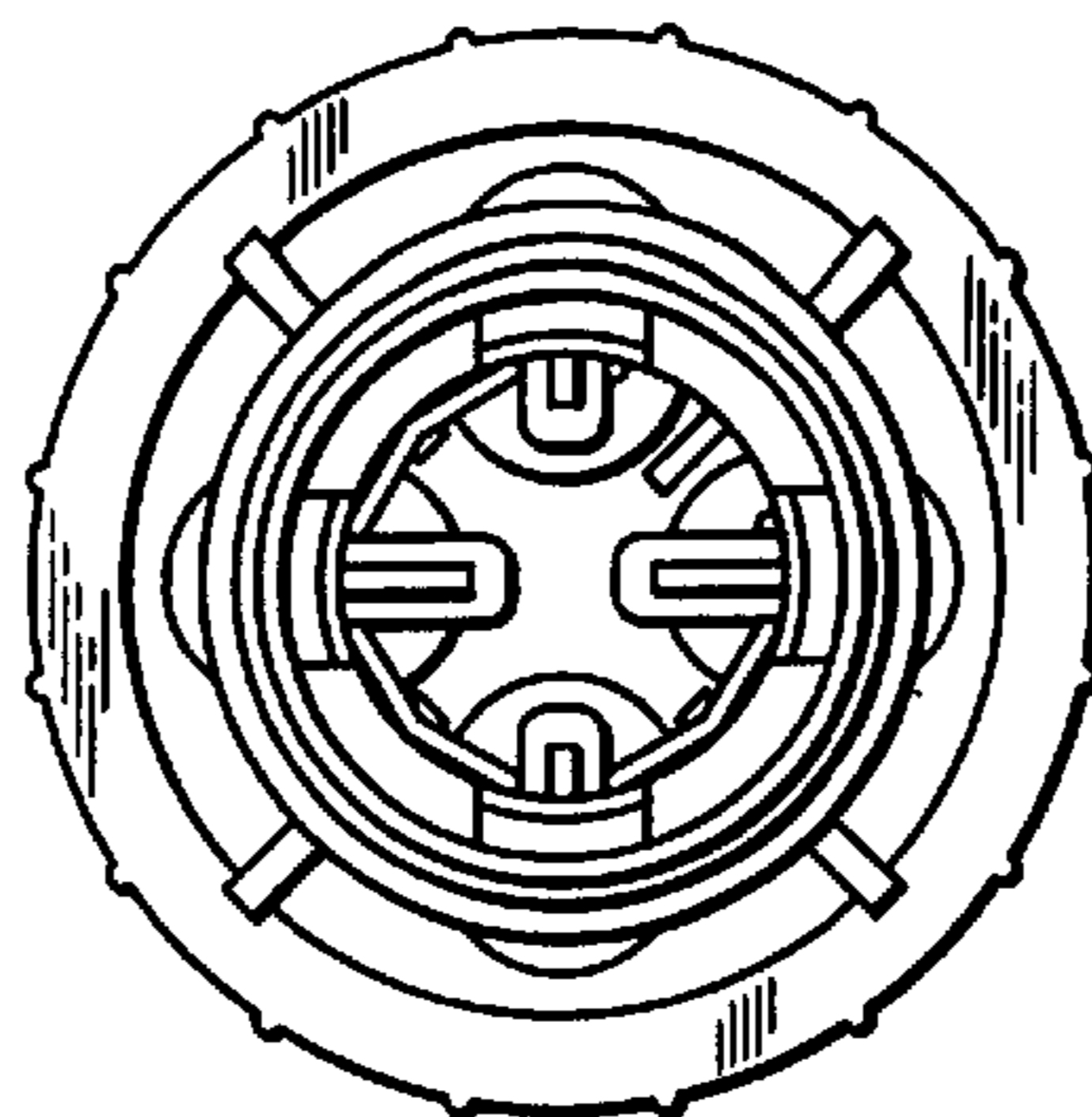


Fig. 5

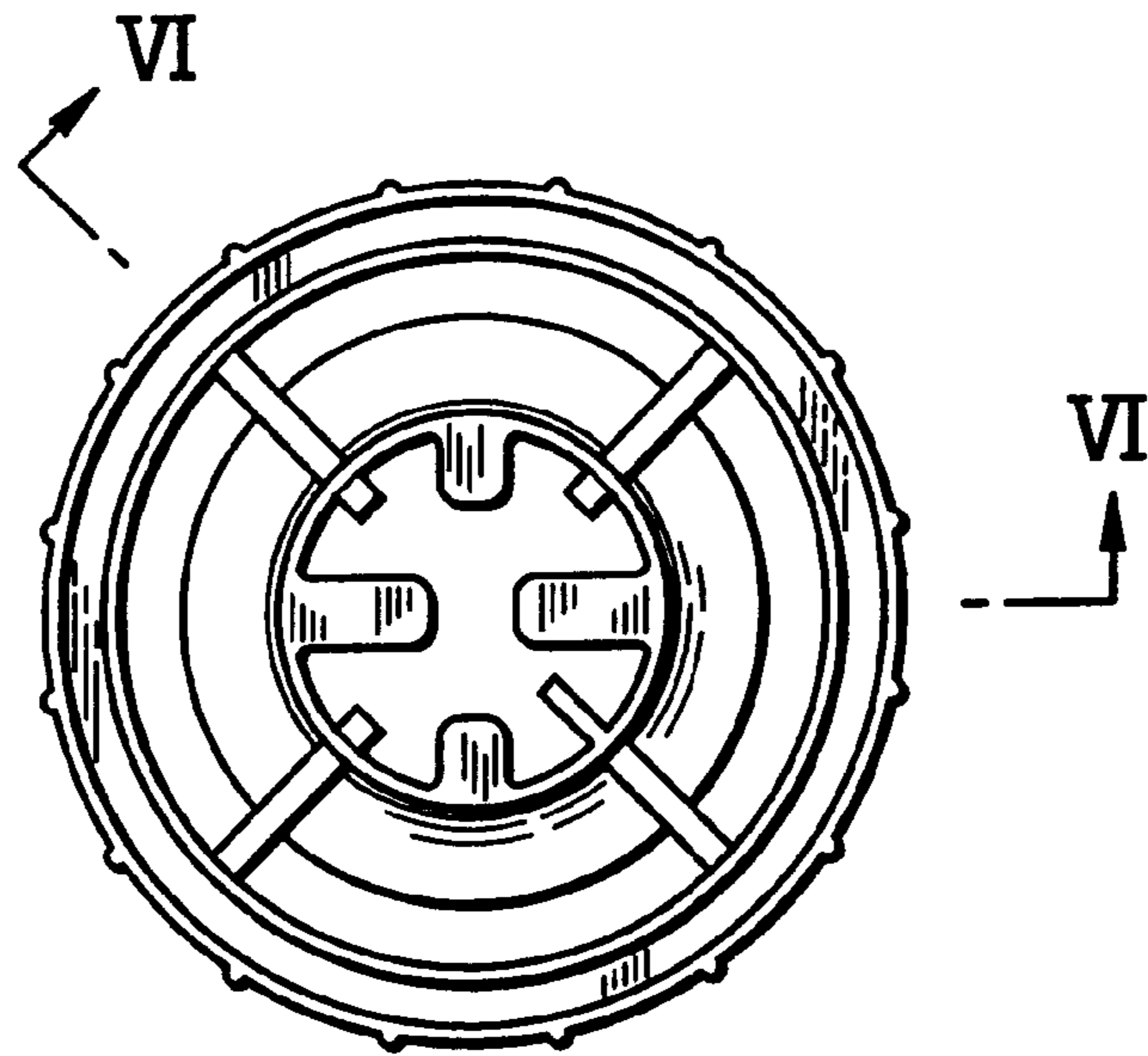


Fig. 6

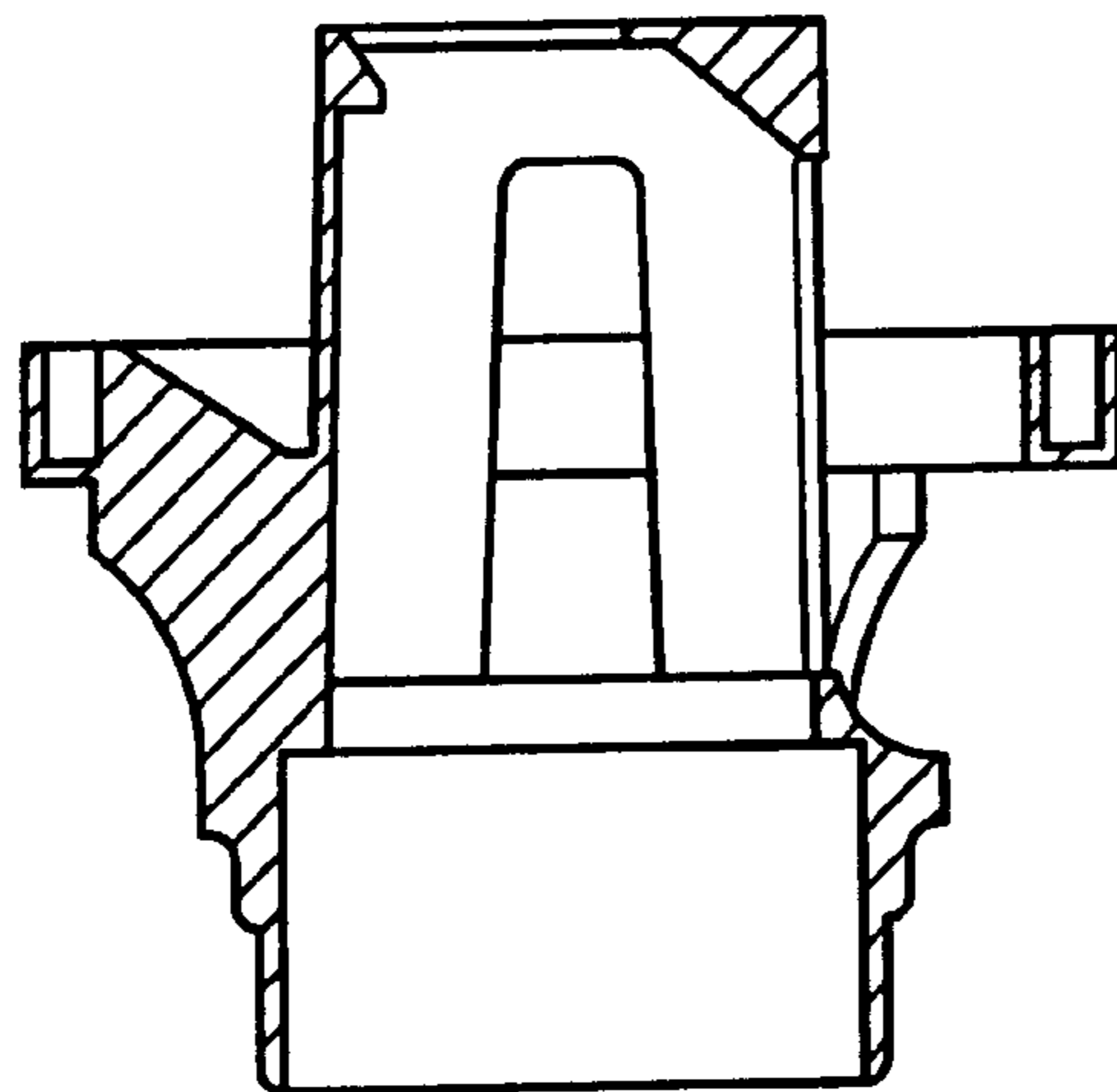


Fig. 7

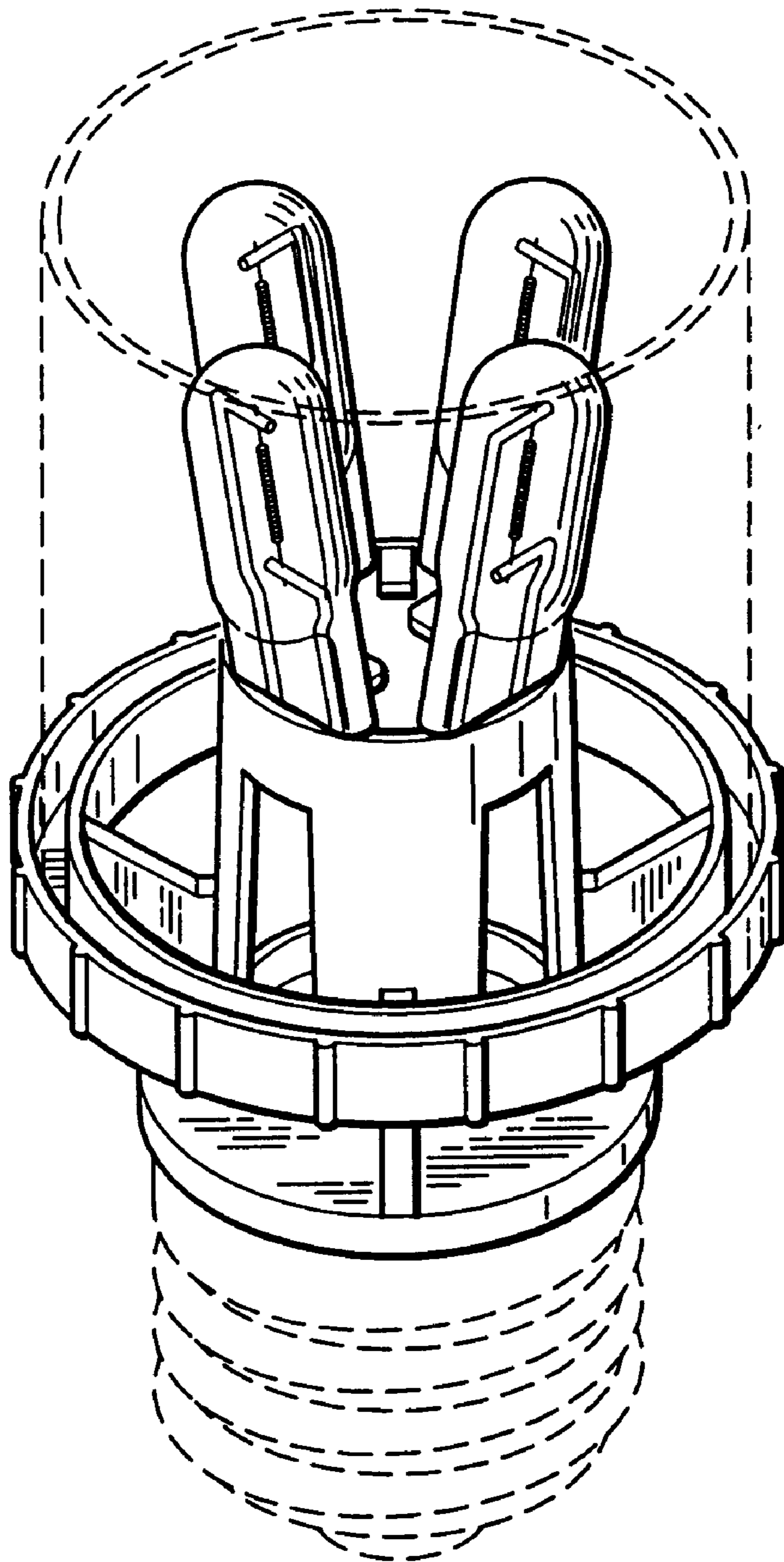


Fig. 8

