



US00D437641S

(12) **United States Design Patent**
Ierulli

(10) **Patent No.:** **US D437,641 S**

(45) **Date of Patent:** **** Feb. 13, 2001**

(54) **NOSTRIL DILATOR**

(76) Inventor: **Joseph V. Ierulli**, 3926 SW. Water Ave., Portland, OR (US) 97201

(**) Term: **14 Years**

(21) Appl. No.: **29/115,250**

(22) Filed: **Dec. 8, 1999**

Related U.S. Application Data

(62) Division of application No. 29/095,702, filed on Oct. 28, 1998, now Pat. No. Des. 429,332.

(51) **LOC (7) Cl.** **24-02**

(52) **U.S. Cl.** **D24/135; D24/189**

(58) **Field of Search** D24/135, 189; 128/200.24, 207; 104/180, 308, 307; 606/199, 204.45; 602/56, 58, 55, 54

(56) **References Cited**

U.S. PATENT DOCUMENTS

- D. 379,513 * 5/1997 Ierulli D24/135
- 5,533,499 * 7/1996 Johnson 128/200.24
- 5,611,333 * 3/1997 Johnson 128/200.24

- 5,718,224 * 2/1998 Muchin 128/200.24
- 5,890,486 * 4/1999 Mitra et al. 128/200.24
- 5,961,537 * 10/1999 Gould 606/204.45

* cited by examiner

Primary Examiner—Ian Simmons

(74) *Attorney, Agent, or Firm*—Olson and Olson

(57) **CLAIM**

The ornamental design for a nostril dilator, as shown and described.

DESCRIPTION

FIG. 1 is a side elevational view shown in use of a nostril dilator showing my new design. The broken line showing of a person is for illustrative purposes only and forms no part of the claimed design;

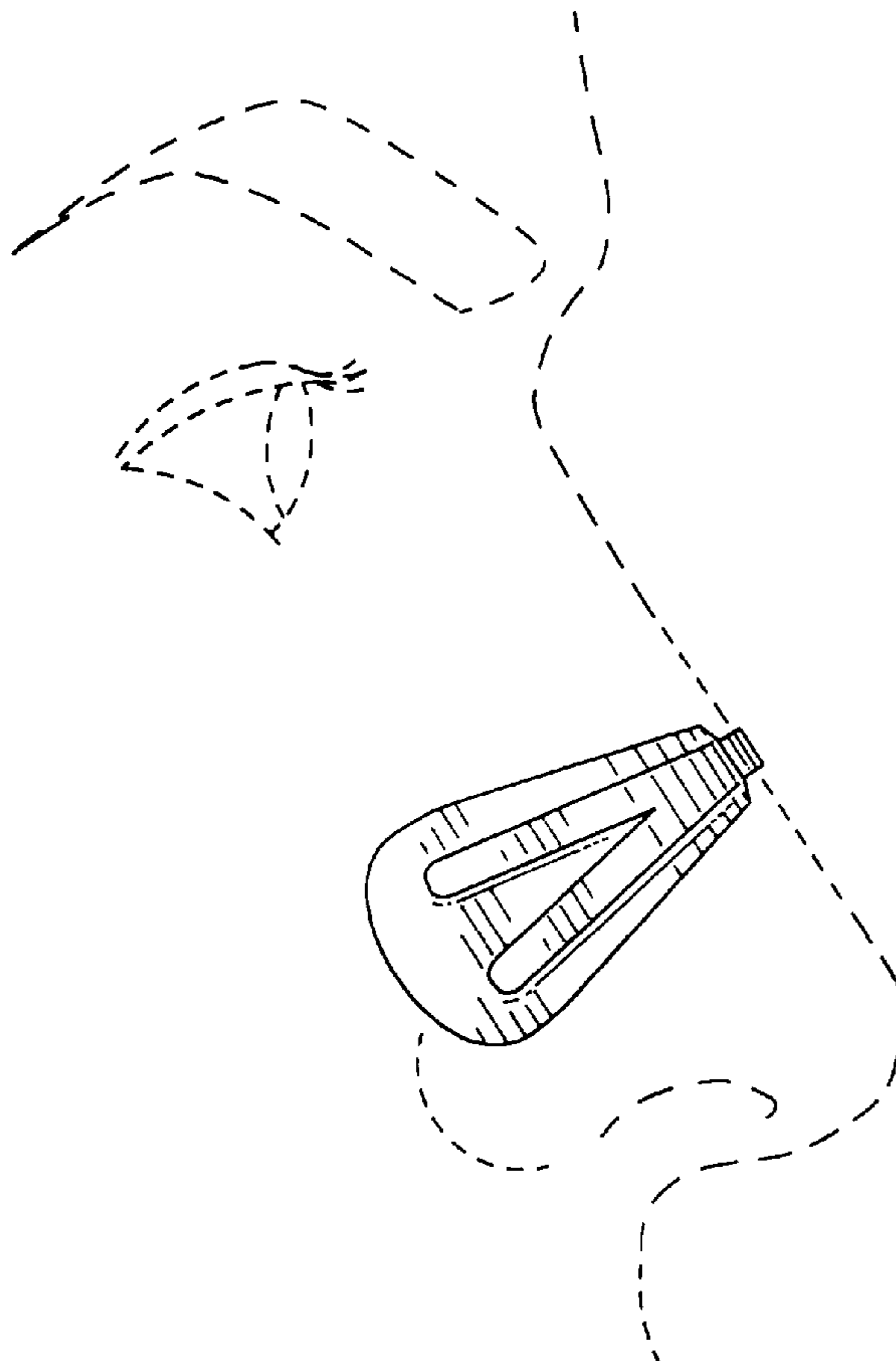
FIG. 2 is a top plan view thereof;

FIG. 3 is a front elevational view thereof, the rear elevational view being a mirror image thereto;

FIG. 4 is a right side elevational view thereof, the left side elevational views being a mirror image thereto; and,

FIG. 5 is a bottom plan view thereof.

1 Claim, 1 Drawing Sheet



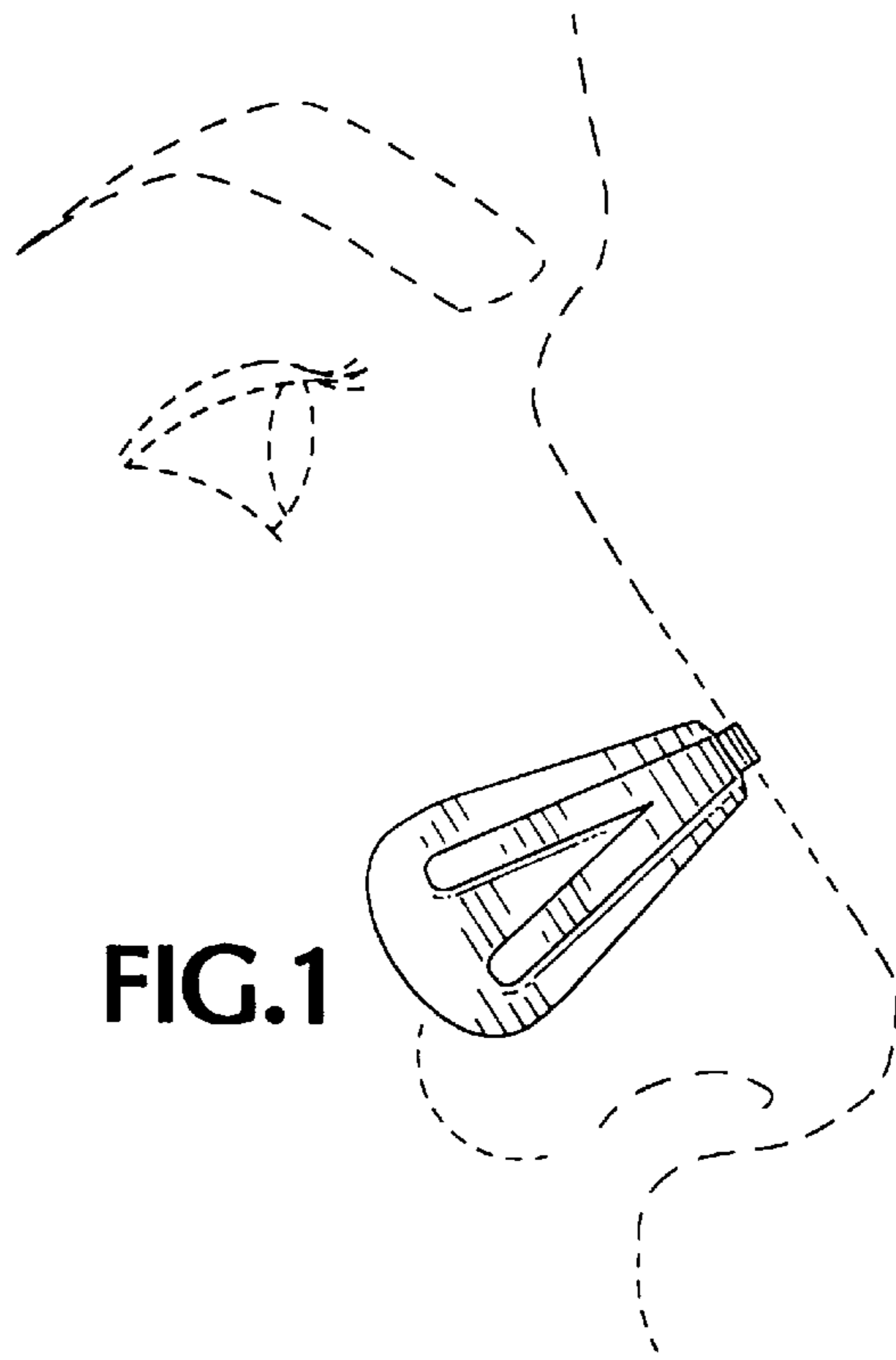


FIG.1

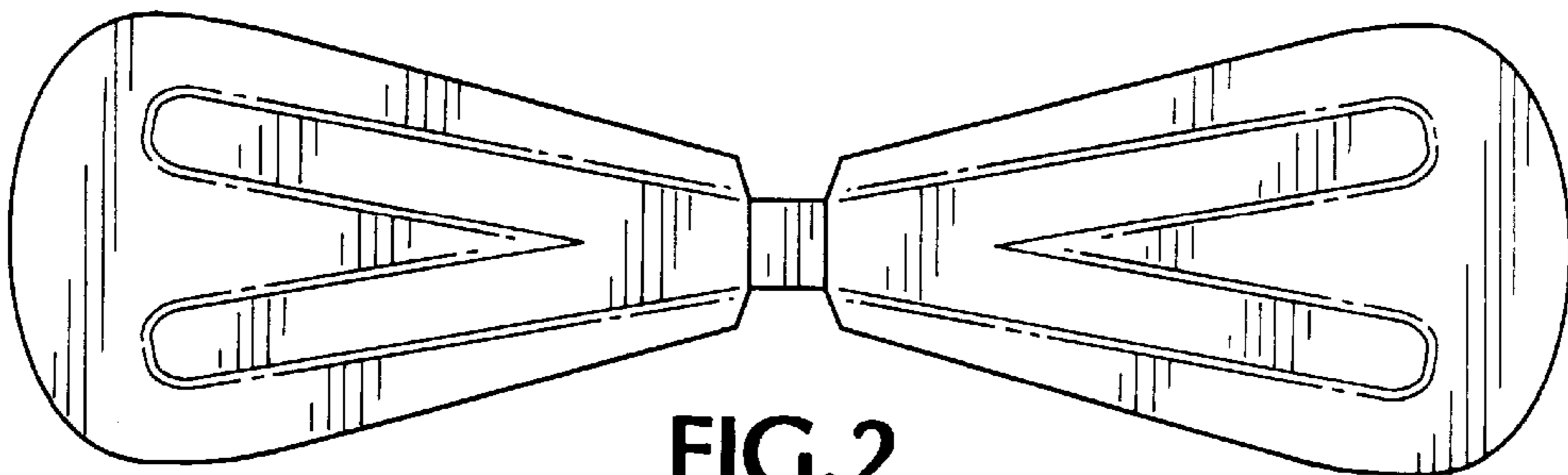


FIG.2



FIG.4



FIG.3

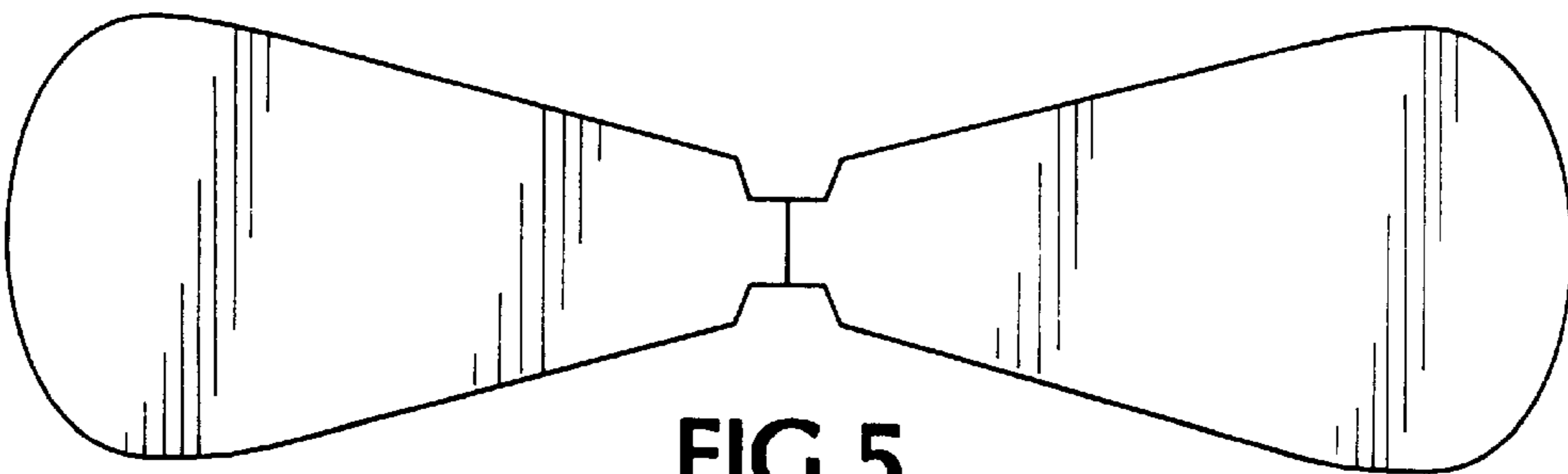


FIG.5