



US00D437640S

(12) **United States Design Patent**  
**Breda et al.**

(10) **Patent No.:** **US D437,640 S**

(45) **Date of Patent:** **\*\* \*Feb. 13, 2001**

(54) **INTRAVENOUS EQUIPMENT HANGER**

3,090,968 5/1963 Buono .

(List continued on next page.)

(76) Inventors: **Wayne J. Breda**, 5 Tuttle Ave.,  
Clarendon Hills, IL (US) 60514;  
**Bradley Piper**, 518 S. Spring Ave.,  
LaGrange, IL (US) 60525

*Primary Examiner*—Alan P. Douglas  
*Assistant Examiner*—Reid Hecker  
(74) *Attorney, Agent, or Firm*—Leydig, Voit & Mayer, Ltd.

(\* ) Notice: This patent is subject to a terminal disclaimer.

(57) **CLAIM**

(\*\*) Term: **14 Years**

The ornamental design for an intravenous equipment hanger, as shown and described.

(21) Appl. No.: **29/099,666**

**DESCRIPTION**

(22) Filed: **Jan. 26, 1999**

(51) **LOC (7) Cl.** ..... **24-02**

(52) **U.S. Cl.** ..... **D24/128**

(58) **Field of Search** ..... D8/355, 373; D24/128;  
5/503.1; 248/200, 207, 214, 215, 220.21,  
223.41, 224.7, 227.4, 229.13, 230.4, 231.71,  
309.1, 311.3, 322

FIG. 1 is an upper right front perspective view of an intravenous equipment hanger showing our new design, with the hanger bar retracted;  
FIG. 2 is an upper right rear perspective view thereof with the hanger bar extended;  
FIG. 3 is a front elevational view thereof with the hanger bar retracted;  
FIG. 4 is a right side elevational view thereof with the hanger bar retracted. A left side elevational view would be a mirror image of FIG. 4;  
FIG. 5 is a top view thereof with the hanger bar in either the retracted or extended position;  
FIG. 6 is a rear elevational view thereof with the hanger bar retracted;  
FIG. 7 is a bottom plan view thereof with the hanger bar in either the retracted or extended position;  
FIGS. 8 and 9 are upper right front and upper right rear perspective views corresponding to FIGS. 1 and 2, respectively, of an intravenous equipment hanger showing a second embodiment of our new design, wherein the top hanger bar is of another configuration; and,  
FIGS. 10, 11, 12, 13 and 14 are front, side, top, rear and bottom views of the second embodiment, corresponding to FIGS. 3, 4, 5, 6 and 7, respectively. A left side elevational view of the second embodiment would be a mirror image of FIG. 11.

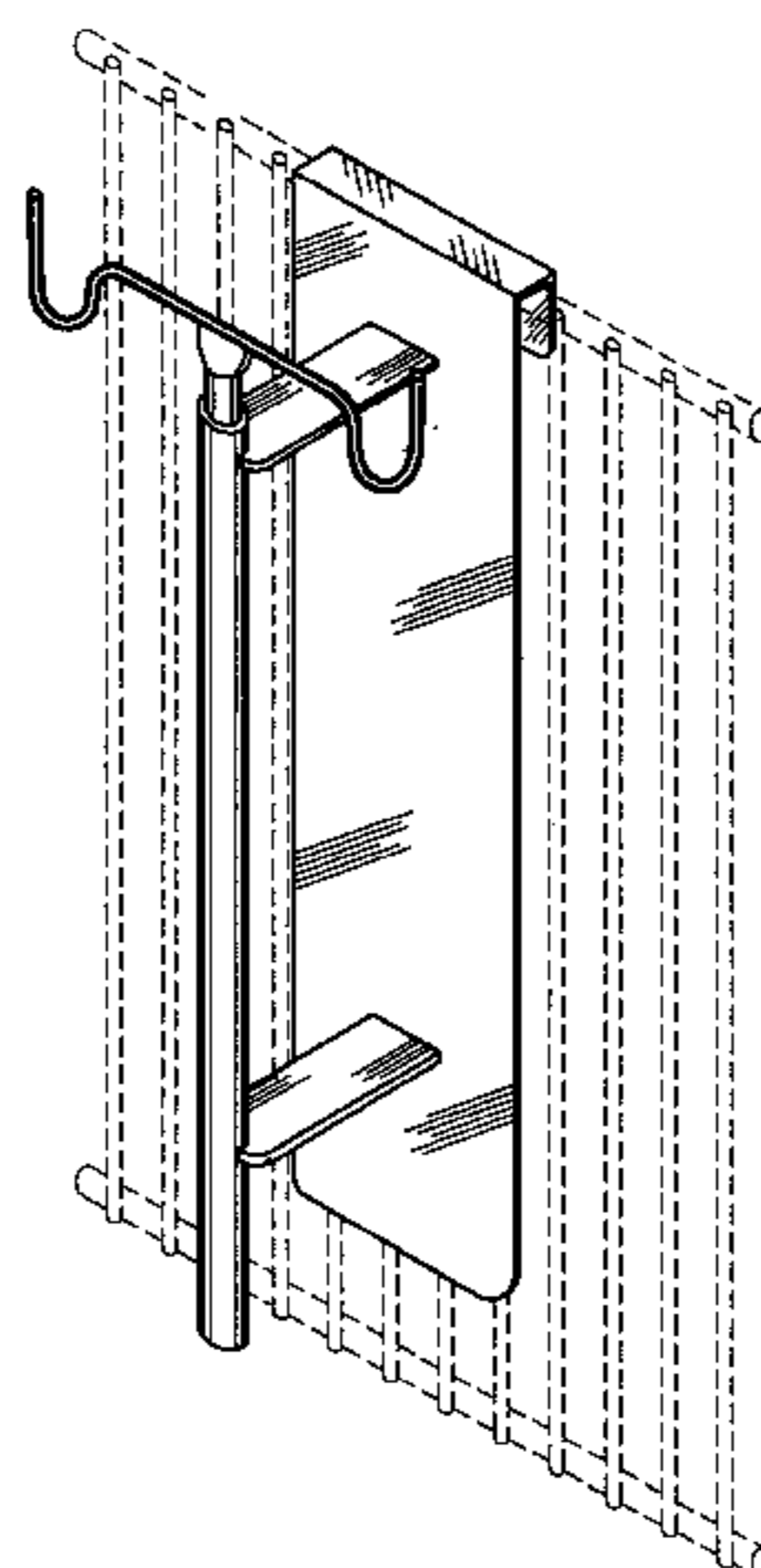
(56) **References Cited**

**U.S. PATENT DOCUMENTS**

D. 194,803	3/1963	Angel et al. .	
D. 203,570	1/1966	Brenner et al. .	
D. 221,366	8/1971	Saternus .	
D. 223,970	6/1972	Saternus .	
D. 242,653	12/1976	Ekbladh et al. .	
D. 262,237	12/1981	Stauber .	
D. 264,379	5/1982	Slinkard .	
D. 269,121	5/1983	Pollard .	
D. 269,156	5/1983	Slinkard .	
D. 297,053	8/1988	Janzen .	
D. 303,713	9/1989	Kelm et al. .	
D. 339,195	9/1993	Nash et al. .	
D. 370,061	5/1996	Shirley .	
D. 372,533 *	8/1996	Davis .....	D24/128
D. 377,092	12/1996	Ebert .	
2,065,012	12/1936	Mulford .	
2,253,444	8/1941	Muller .	
2,935,286 *	5/1960	Parsons .....	248/311.3
2,938,696	5/1960	Hinshaw .	
2,957,187	10/1960	Raia .	
2,959,386	11/1960	Garth .	

The environmental structure shown in broken lines on the drawing figures is a cage door on which the hanger may be used and is for illustrative purposes only and not a part of the claimed design.

**1 Claim, 6 Drawing Sheets**



# US D437,640 S

Page 2

---

## U.S. PATENT DOCUMENTS

3,220,434	11/1965	Garth .	4,332,378	6/1982	Pryor .	
3,220,591	11/1965	Hidding .	4,367,859	1/1983	Lamon .	
3,231,901	2/1966	Kennedy .	4,504,992 *	3/1985	Herron et al. ....	248/215
3,237,624	3/1966	Jinkens et al. .	4,650,478	3/1987	Dunn .	
4,005,844	2/1977	Richmond .	4,699,613	10/1987	Donawick et al. .	
4,019,707	4/1977	Quinn et al. .	5,149,036 *	9/1992	Sheehan .....	248/215
4,027,842	6/1977	Mittleman .	5,236,162 *	8/1993	Desjardins .....	248/214
4,159,773 *	7/1979	Losenno .....	5,326,059 *	7/1994	Pryor et al. ....	248/231.71
			5,375,799	12/1994	Rhodes .	
4,295,619	10/1981	Kulin et al. .				
4,312,352	1/1982	Meische et al. .				

\* cited by examiner

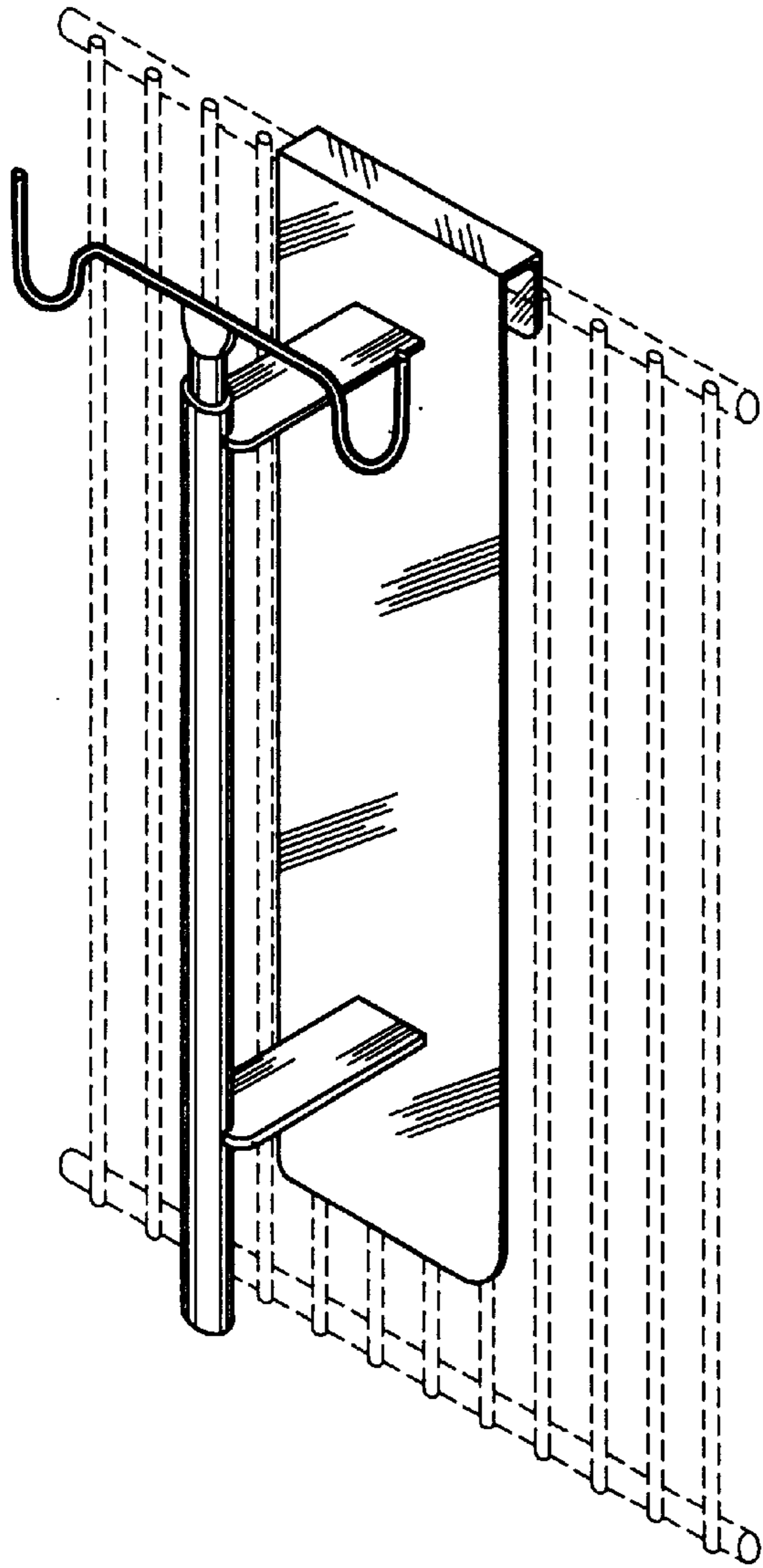


FIG. 1

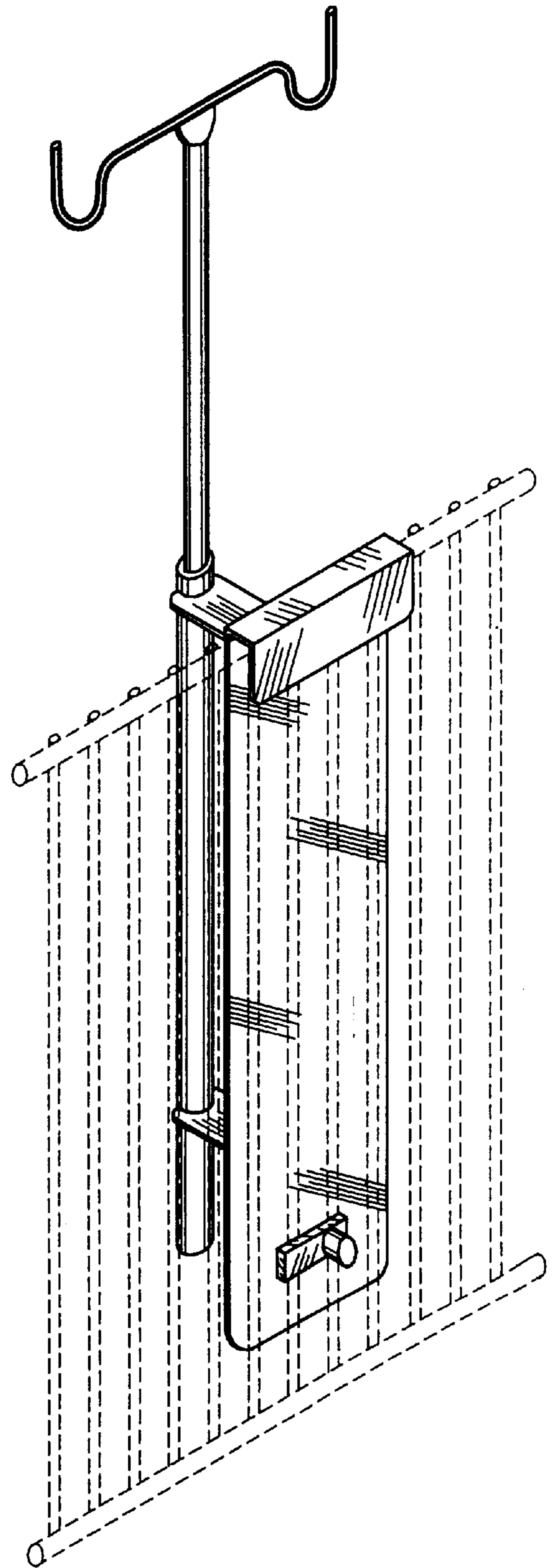


FIG. 2

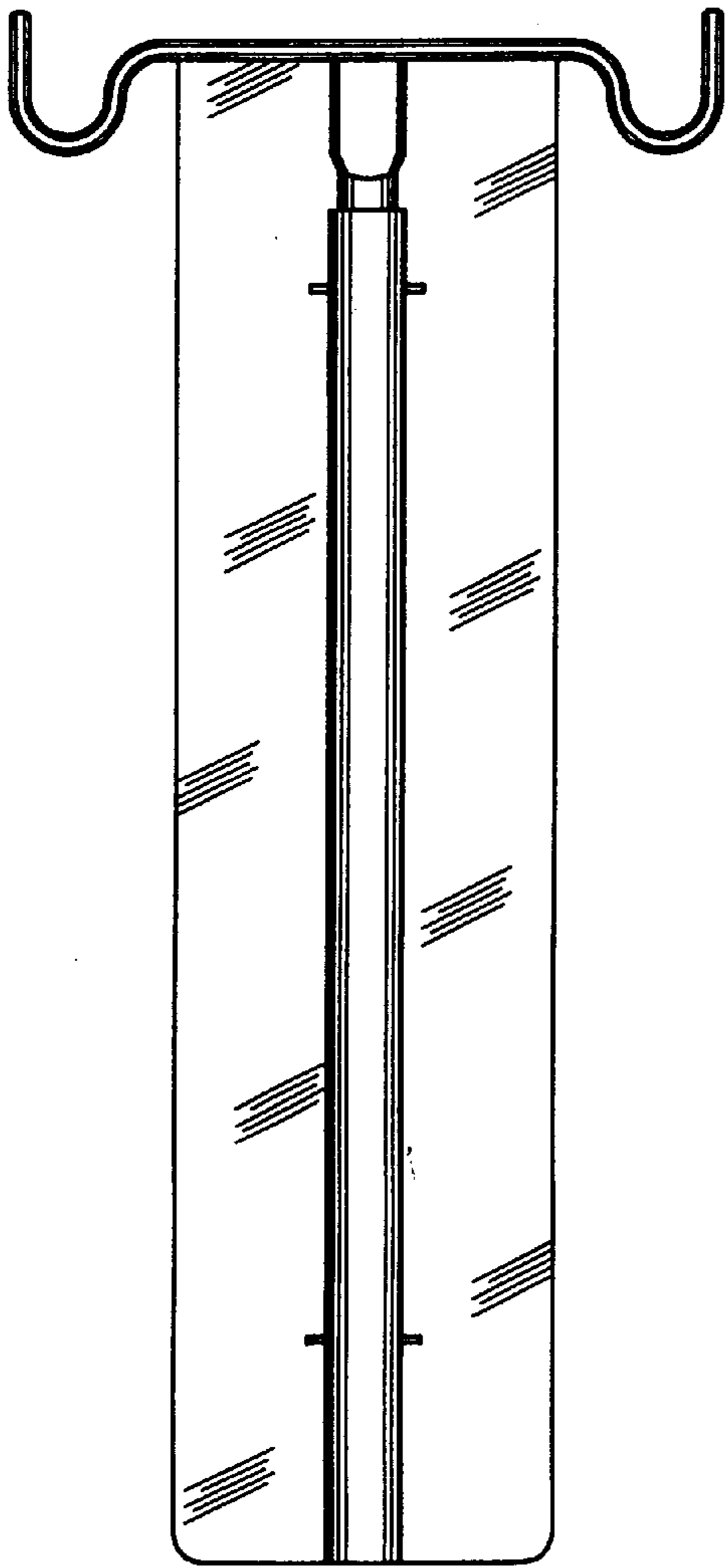


Fig. 3

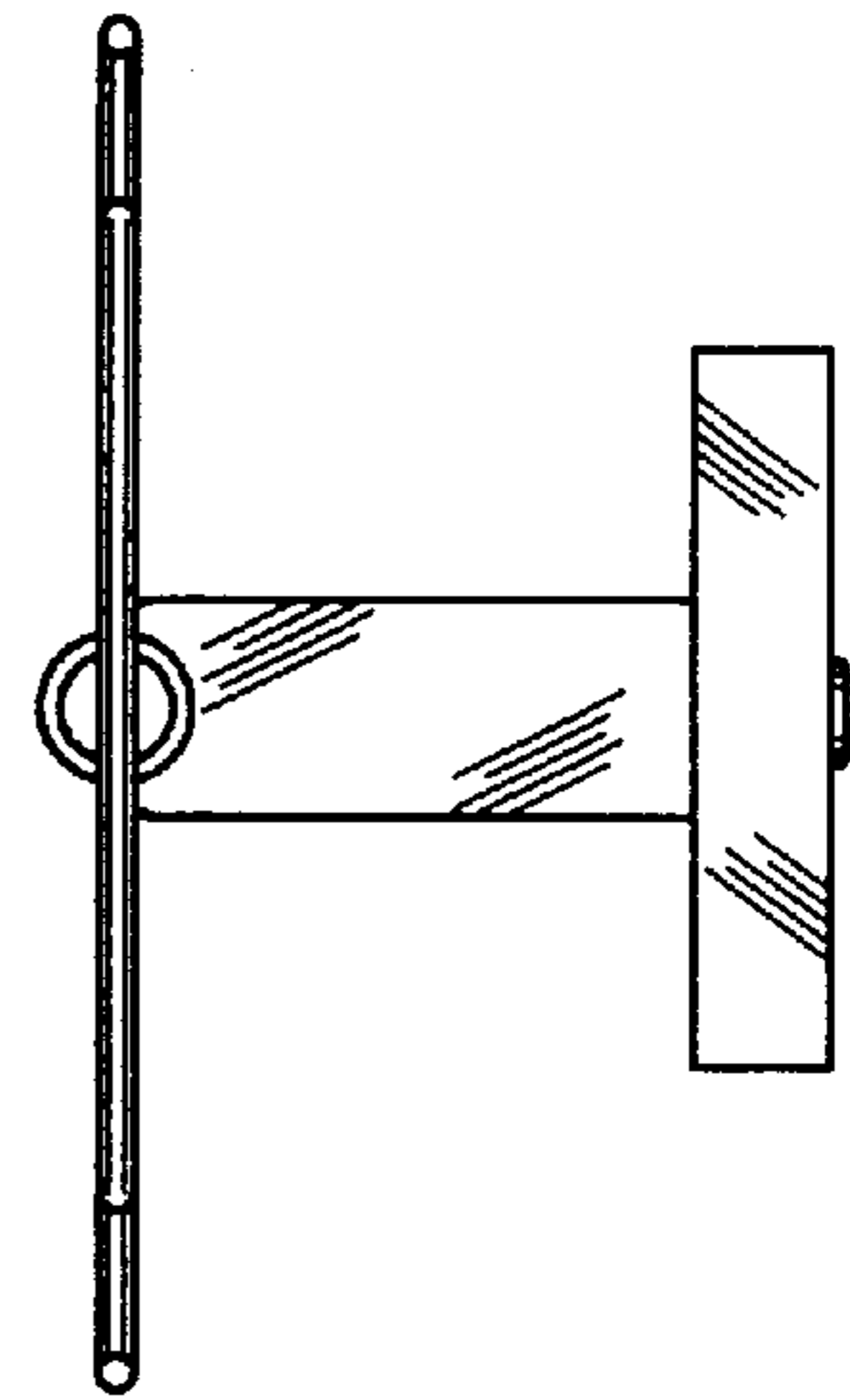


Fig. 5

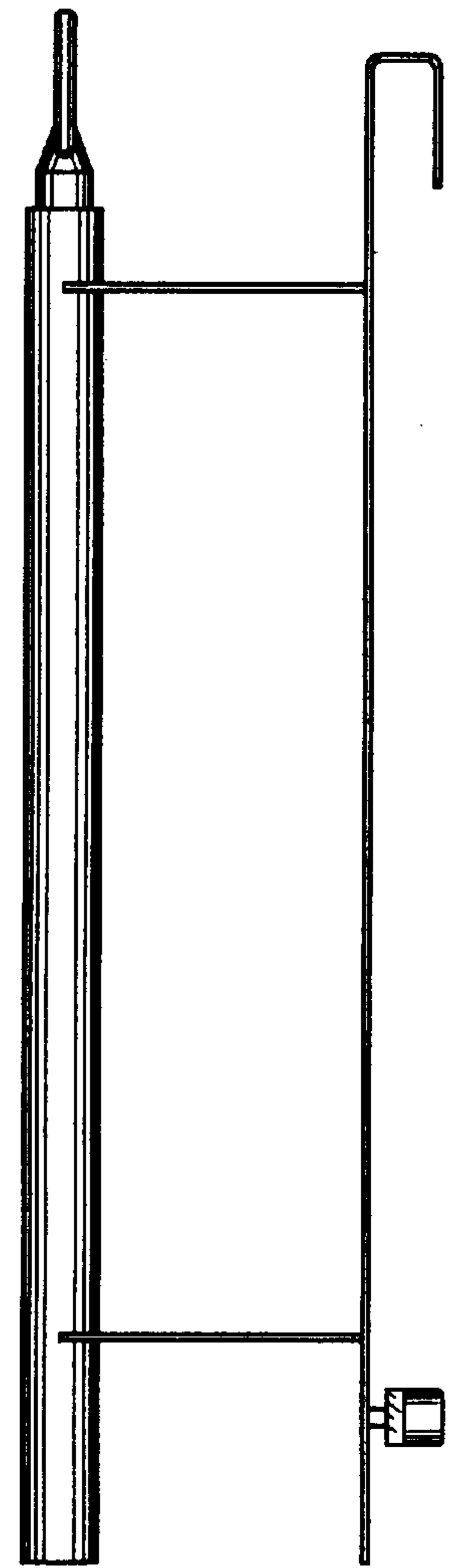


Fig. 4

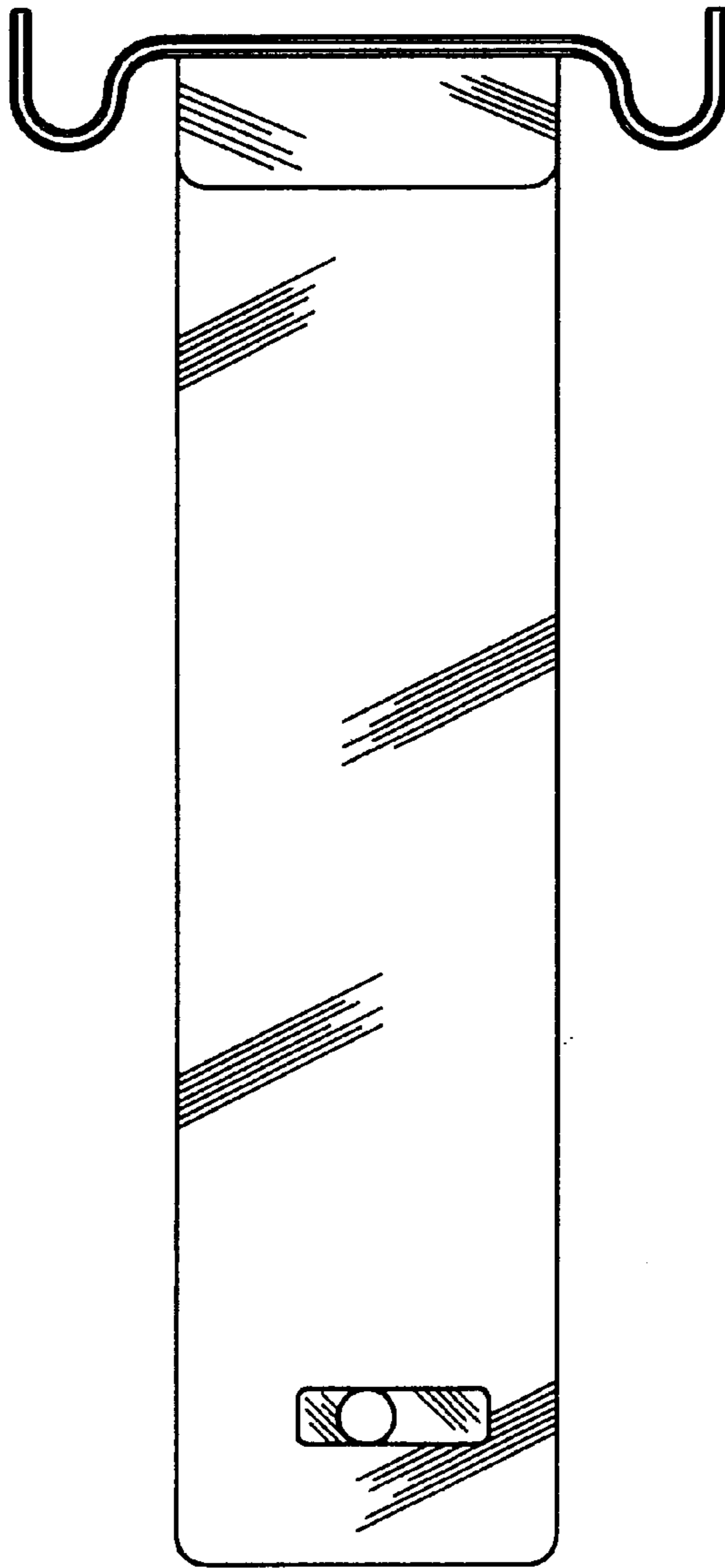


Fig. 6

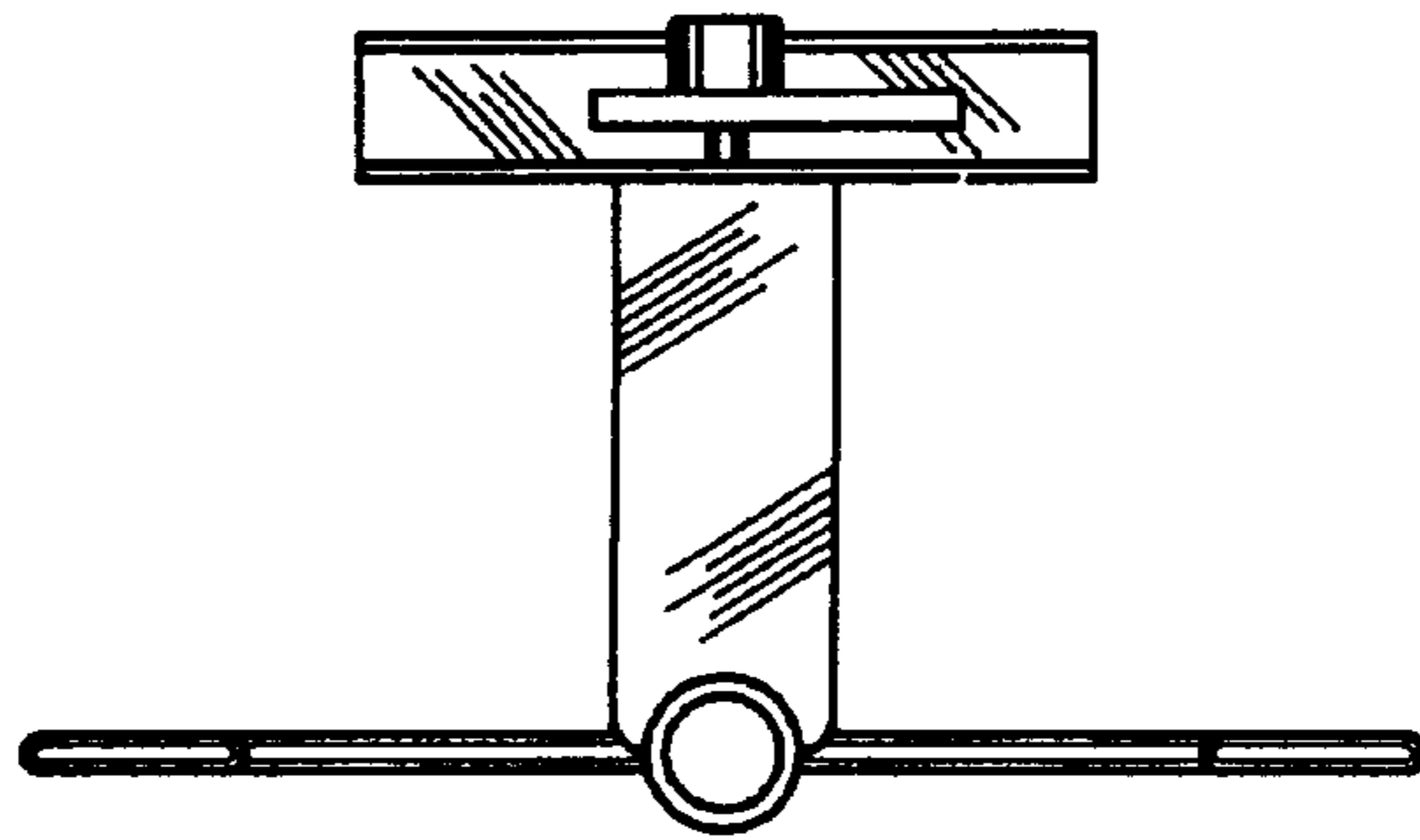


Fig. 7

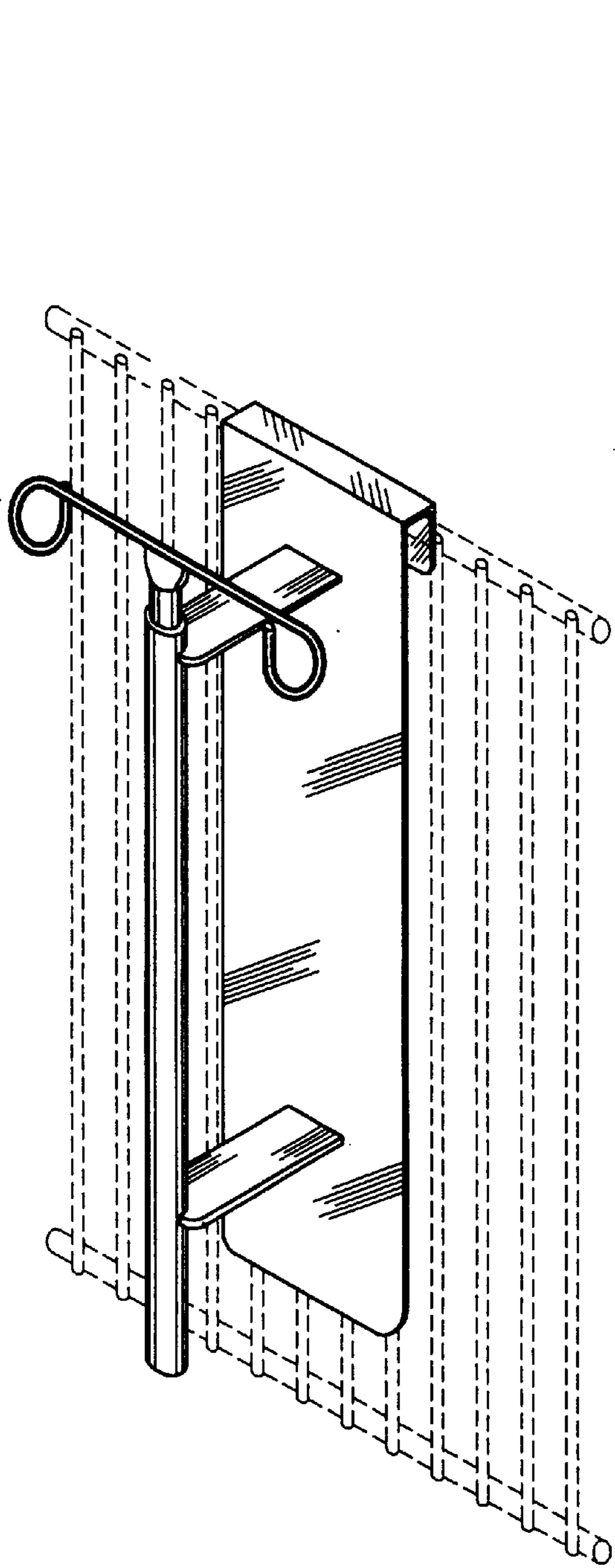


FIG. 8

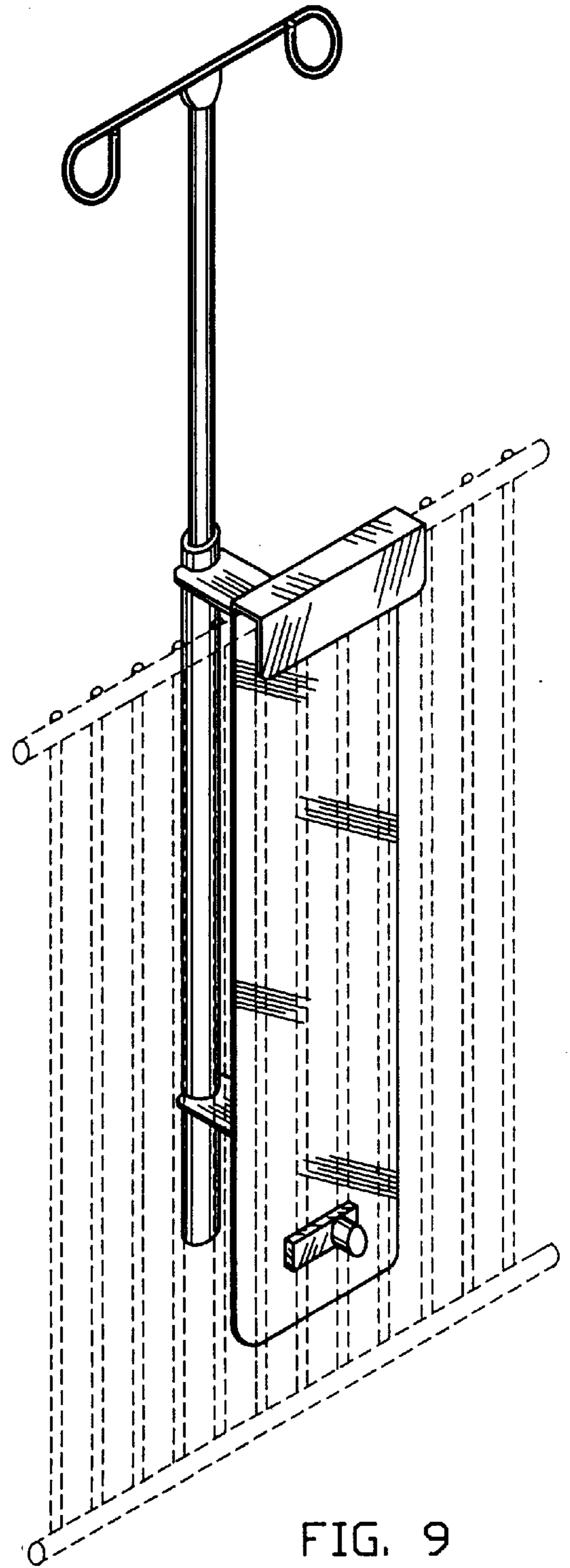


FIG. 9

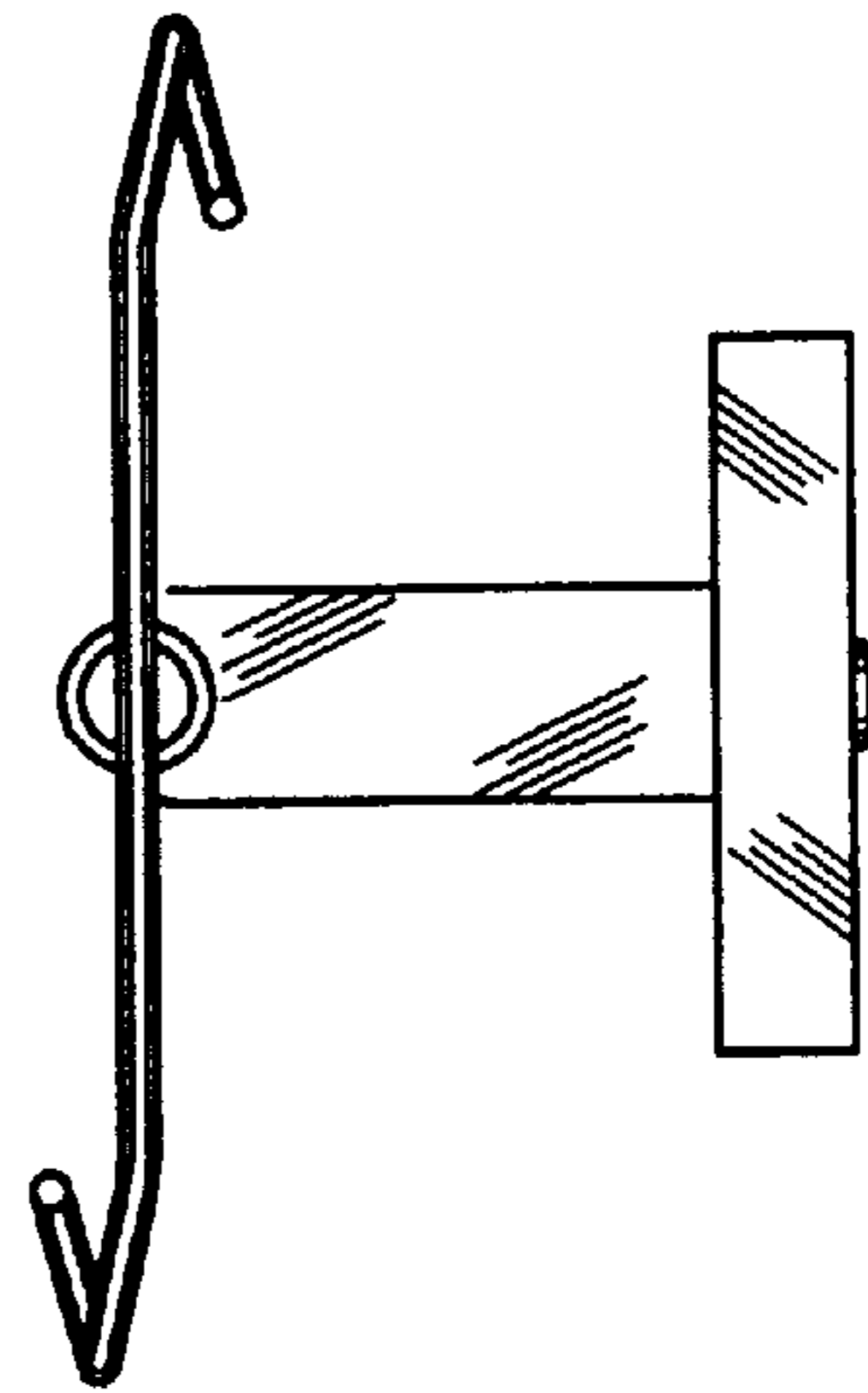


Fig. 12

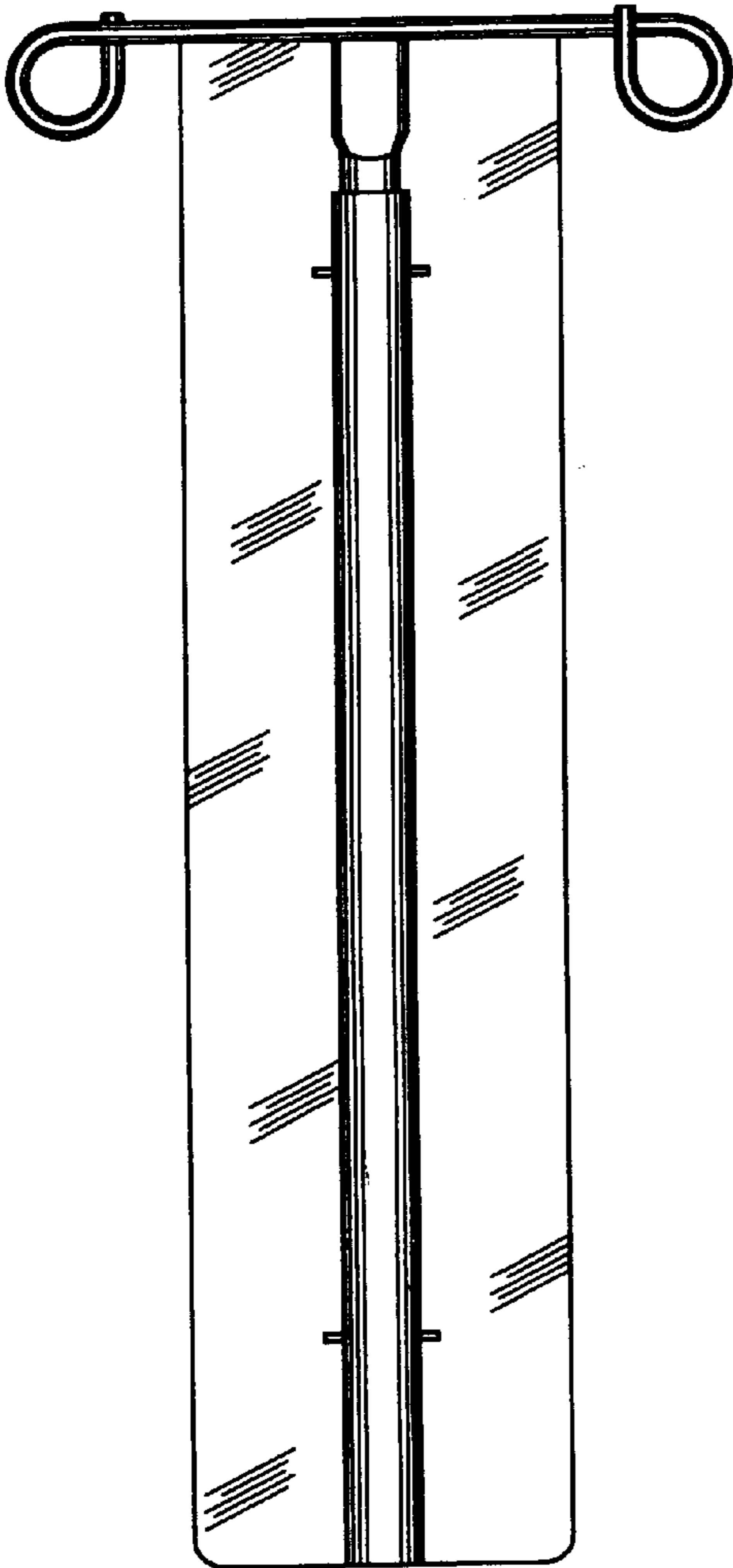


Fig. 10

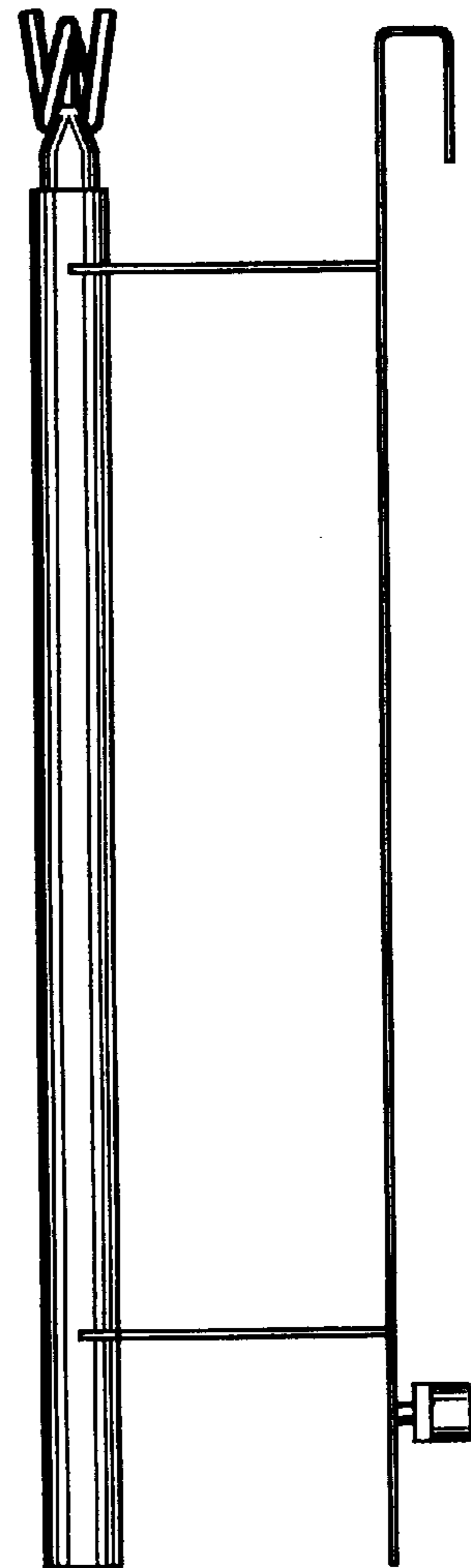


Fig. 11

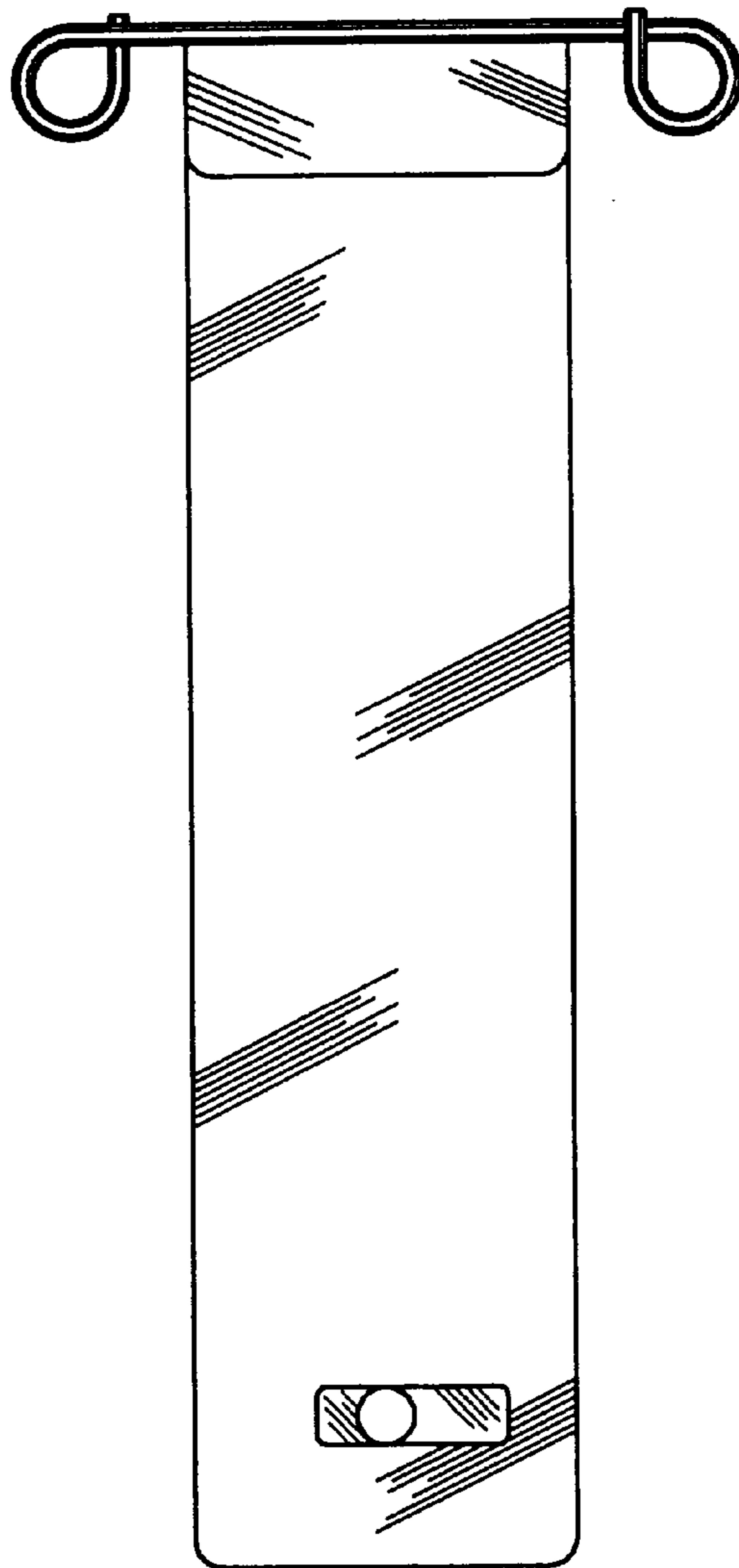


Fig. 13

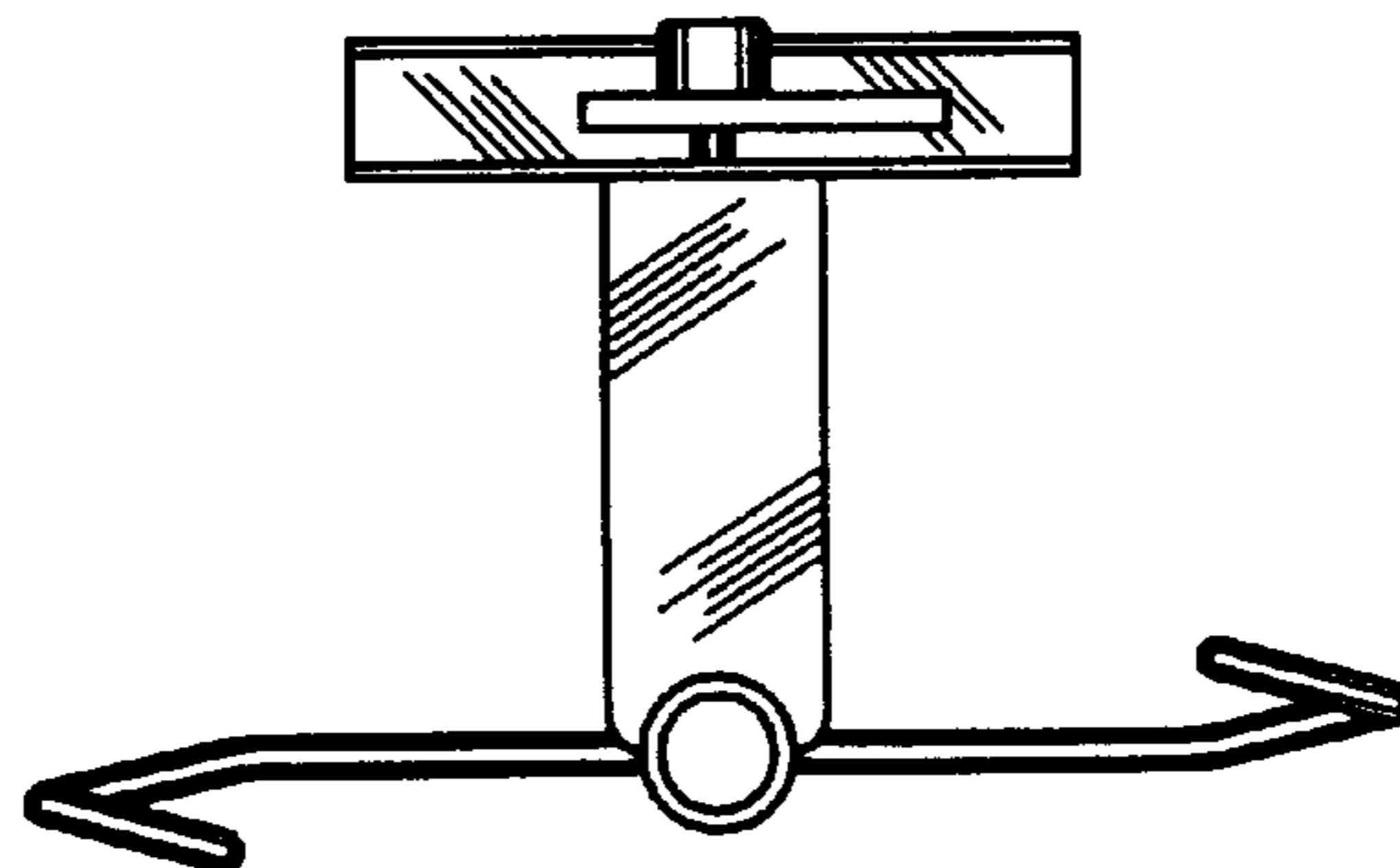


Fig. 14