



US00D437639S

(12) **United States Design Patent** (10) **Patent No.:** **US D437,639 S**
Breda et al. (45) **Date of Patent:** **** Feb. 13, 2001**

(54) **INTRAVENOUS EQUIPMENT HANGER WITH MOUNTING SUPPORT**

(76) Inventors: **Wayne J. Breda**, 5 Tuttle Ave., Clarendon Hills, IL (US) 60514;
Bradley Piper, 518 S. Spring Ave., LaGrange, IL (US) 60525

(**) Term: **14 Years**

(21) Appl. No.: **29/099,664**

(22) Filed: **Jan. 26, 1999**

(51) **LOC (7) Cl.** **24-02**

(52) **U.S. Cl.** **D24/128**

(58) **Field of Search** D8/355, 373; D24/128; 5/503.1; 248/200, 207, 214, 215, 220.21, 223.41, 224.7, 227.4, 229.13, 230.4, 231.71, 309.1, 311.3; 604/322

(56) **References Cited**

U.S. PATENT DOCUMENTS

D. 194,803	3/1963	Angel et al. .	
D. 203,570	1/1966	Brenner et al. .	
D. 221,366	8/1971	Saternus .	
D. 223,970	6/1972	Saternus .	
D. 242,653	12/1976	Ekbladh et al. .	
D. 262,237	12/1981	Stauber .	
D. 264,379	5/1982	Slinkard .	
D. 269,121	5/1983	Pollard .	
D. 269,156	5/1983	Slinkard .	
D. 297,053	8/1988	Janzen .	
D. 303,713	9/1989	Kelm et al. .	
D. 339,195	9/1993	Nash et al. .	
D. 370,061	5/1996	Shirley .	
D. 372,533 *	8/1996	Davis D24/128	
D. 377,092	12/1996	Ebert .	
2,065,012	12/1936	Mulford .	
2,253,444	8/1941	Muller .	
2,935,286 *	5/1960	Parsons 248/227.4	
2,938,696	5/1960	Hinshaw .	
2,957,187	10/1960	Raia .	

(List continued on next page.)

Primary Examiner—Alan P. Douglas

Assistant Examiner—Reid Hecker

(74) *Attorney, Agent, or Firm*—Leydig, Voit & Mayer, Ltd.

(57) **CLAIM**

The ornamental design for an intravenous equipment hanger with mounting support, as shown and described.

DESCRIPTION

FIG. 1 is an upper right front perspective view of an intravenous equipment hanger, including a mounting support, showing our new design, with the hanger bar retracted; FIG. 2 is an upper right rear perspective view thereof with the hanger bar extended;

FIG. 3 is a front elevational view thereof with the hanger bar retracted;

FIG. 4 is a right side elevational view thereof with the hanger bar retracted. A left side elevational view would be a mirror image of FIG. 4;

FIG. 5 is a top view thereof with the hanger bar in either the retracted or extended position;

FIG. 6 is a bottom plan view thereof with the hanger bar in either the retracted or extended position;

FIG. 7 is an upper right front perspective view of an intravenous equipment hanger in a second embodiment of our new design, which includes a detachable mounting support and with the hanger bar extended;

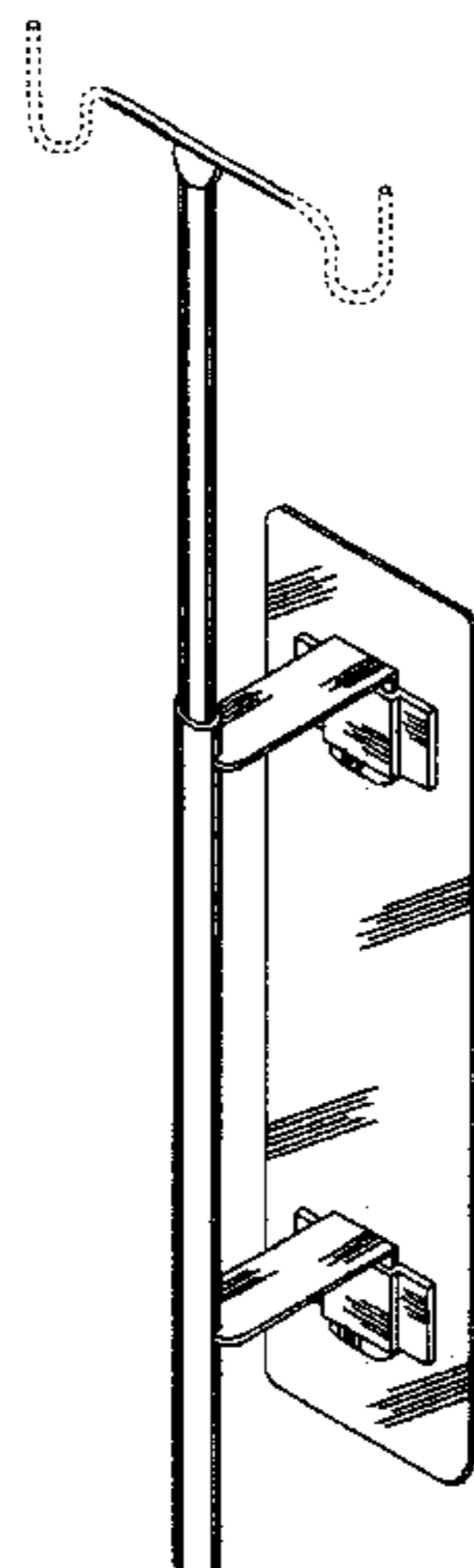
FIG. 8 is an upper right perspective view of the hanger unit of the second embodiment, with the hanger bar retracted, shown separated from the mounting support for convenience of illustration;

FIG. 9 is an upper right perspective view of the mounting support of the second embodiment, shown separated from the equipment hanger for convenience of illustration; and,

FIGS. 10, 11, 12 and 13 are right side, top, rear and bottom views of the second embodiment, respectively, with the hanger bar extended. A left side elevational view of the second embodiment would be a mirror image of FIG. 10.

The broken line showings of environmental hanger hooks of one configuration are for illustrative purposes only and form no part of the claimed design.

1 Claim, 4 Drawing Sheets



US D437,639 S

Page 2

U.S. PATENT DOCUMENTS

2,959,386	11/1960	Garth .	4,295,619	10/1981	Kulin et al. .
3,090,968	5/1963	Buono .	4,312,352	1/1982	Meische et al. .
3,220,434	11/1965	Garth .	4,332,378	6/1982	Pryor .
3,220,591	11/1965	Hidding .	4,367,859	1/1983	Lamon .
3,231,901	2/1966	Kennedy .	4,504,992 *	3/1985	Herron et al. 248/215
3,237,624	3/1966	Jinkens et al. .	4,650,478	3/1987	Dunn .
3,261,578 *	7/1966	Himebaugh 248/224.7	4,699,613	10/1987	Donawick et al. .
4,005,844	2/1977	Richmond .	5,149,036 *	9/1992	Sheehan 248/215
4,019,707	4/1977	Quinn et al. .	5,236,162 *	8/1993	Desjardins 248/214
4,027,842	6/1977	Mittleman .	5,326,059 *	7/1994	Pryor et al. 248/231.71
4,159,773 *	7/1979	Losenzo 248/224.7	5,375,799	12/1994	Rhodes .

* cited by examiner

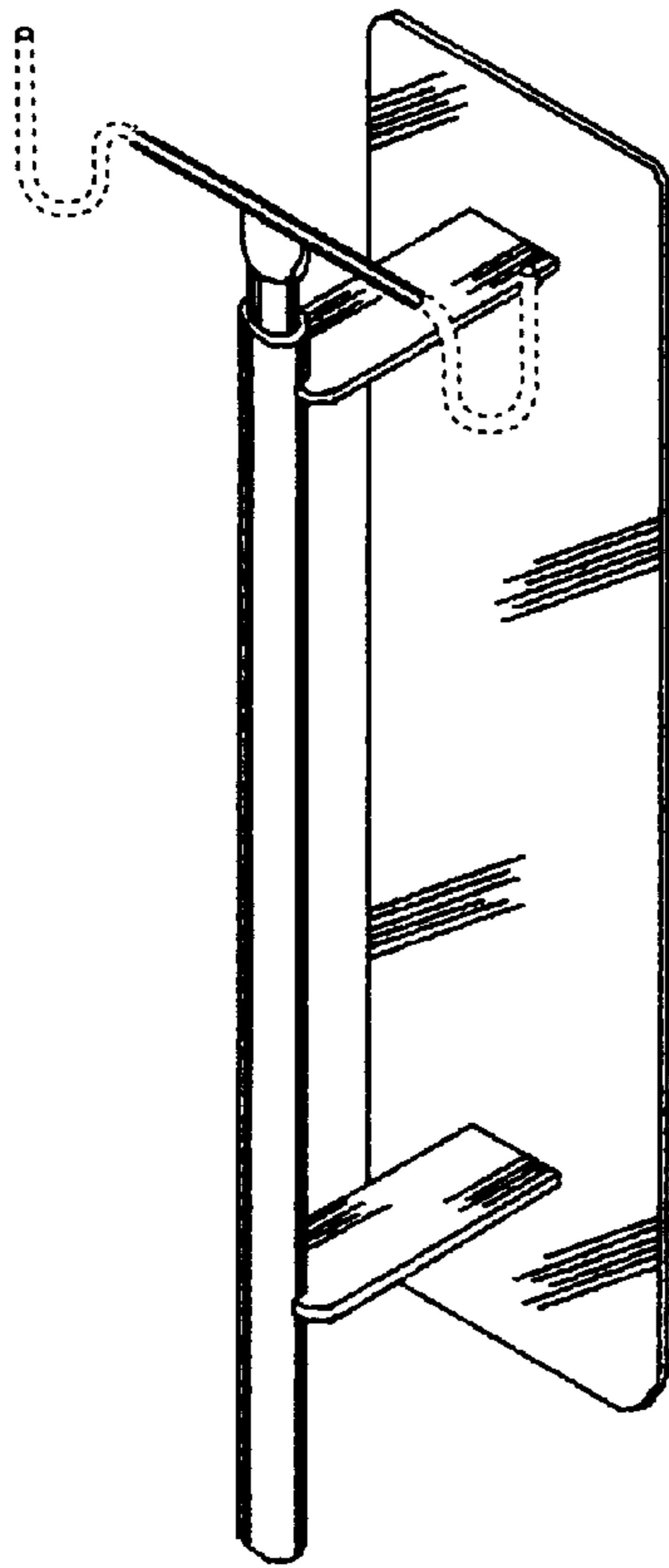


FIG. 1

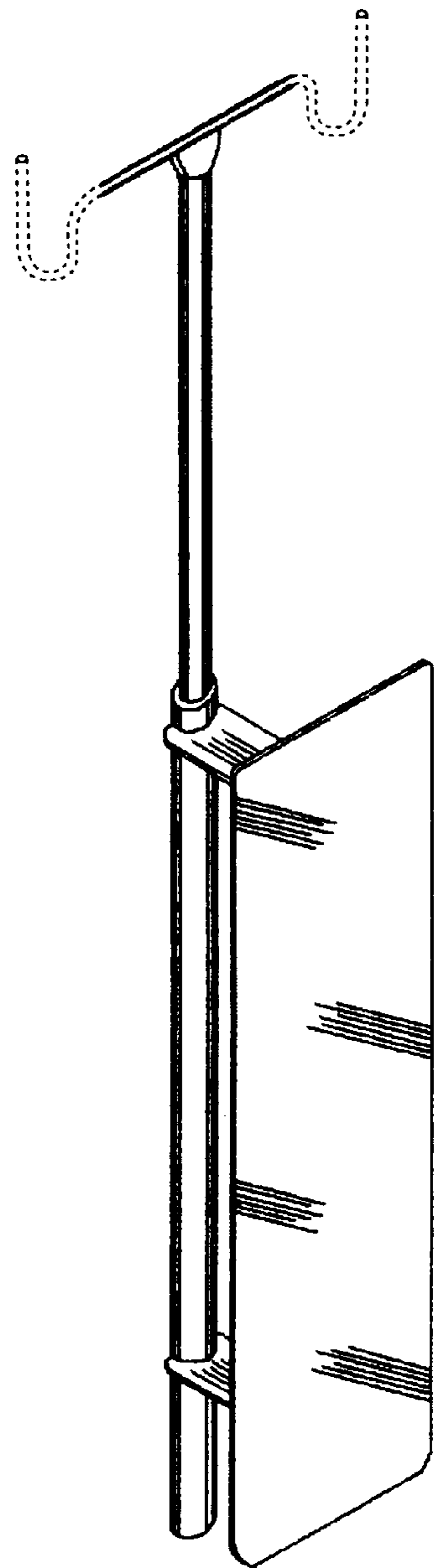


FIG. 2

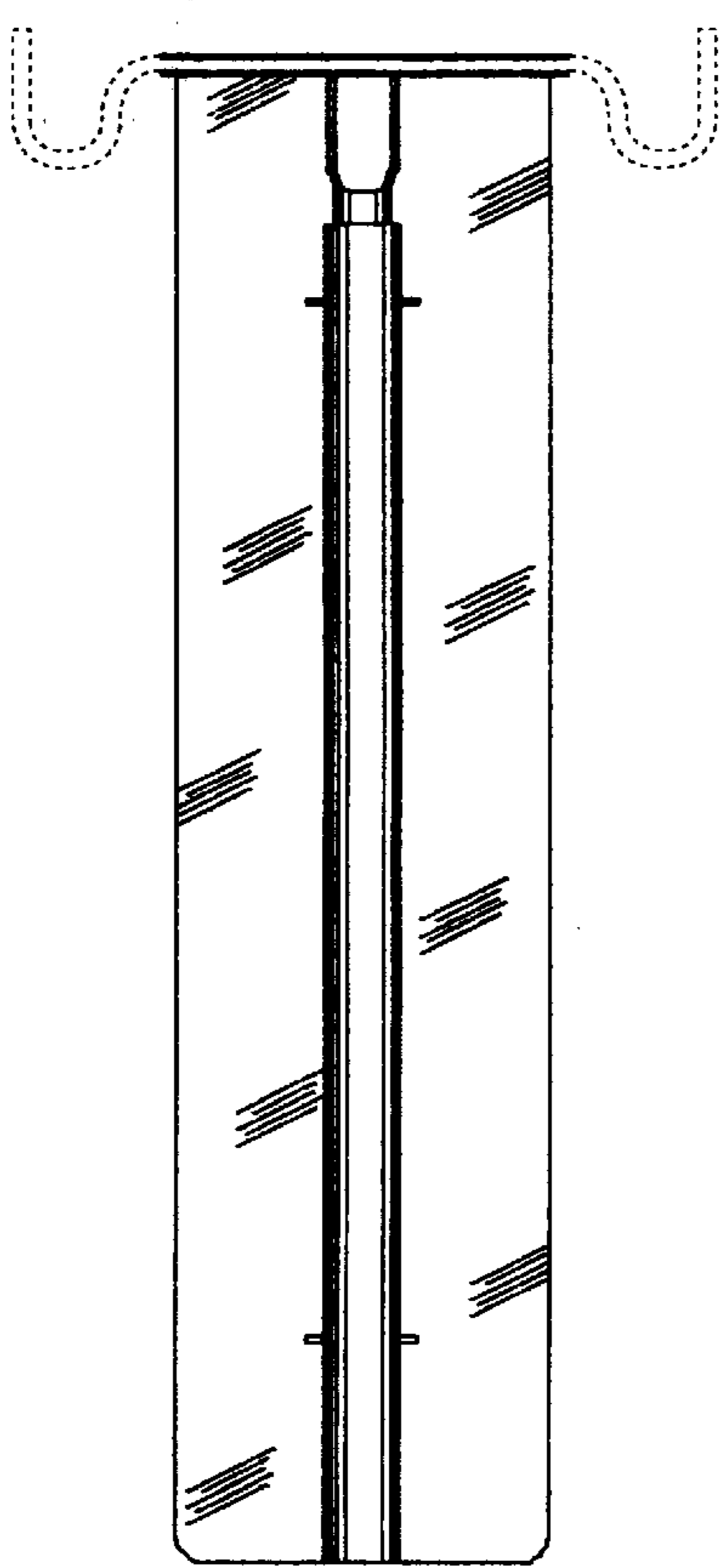


FIG. 3

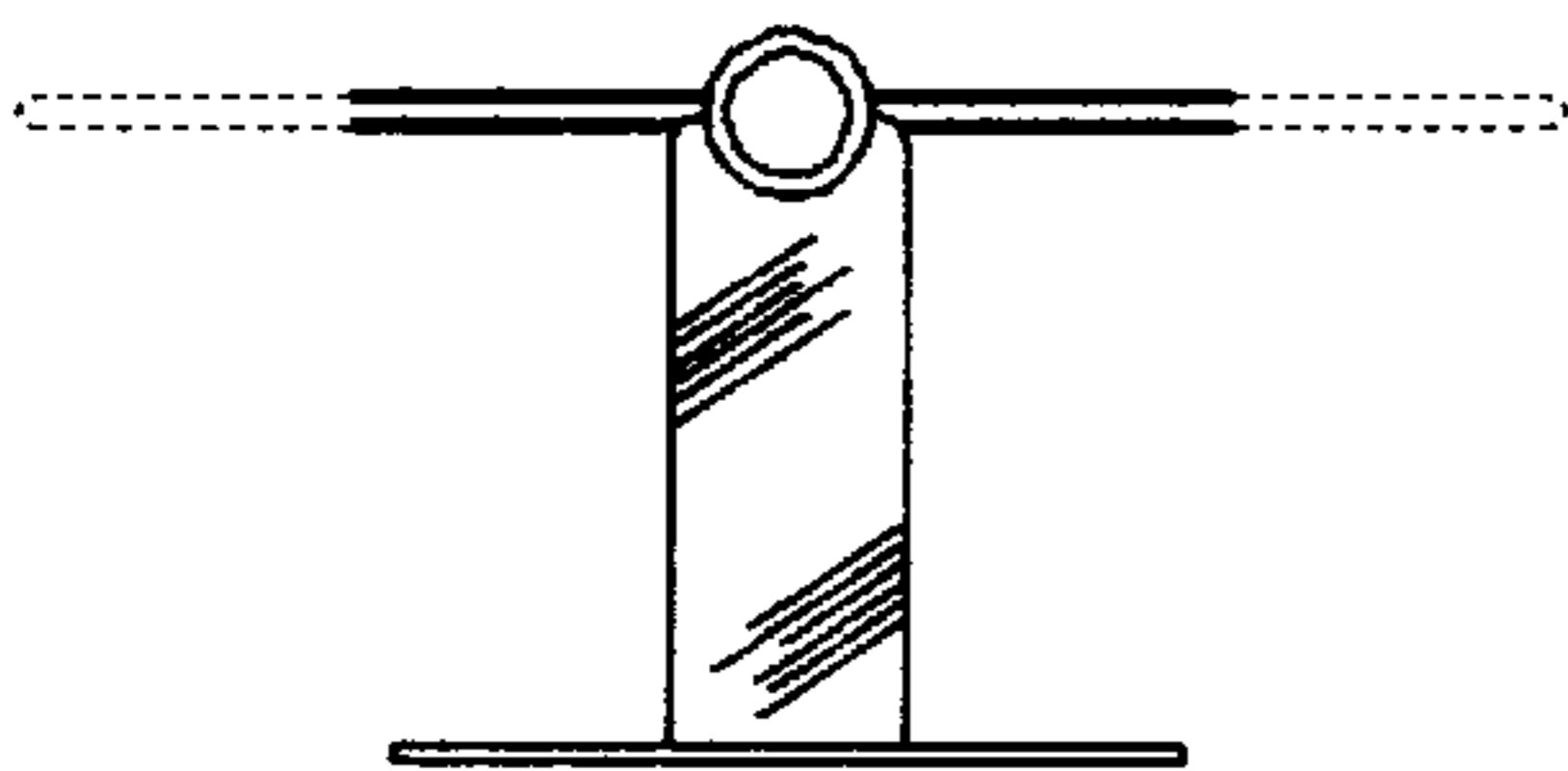


FIG. 6

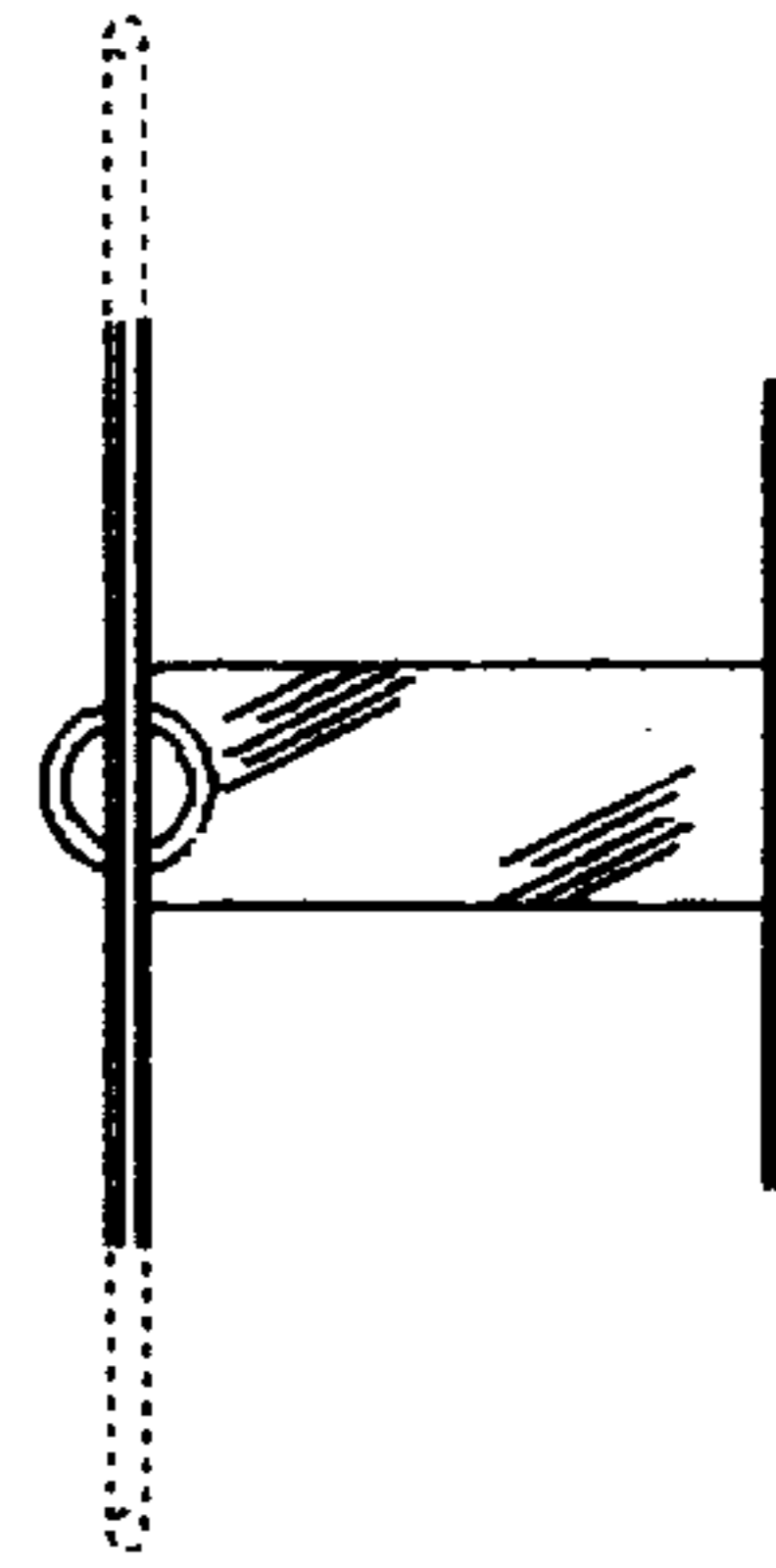


FIG. 5

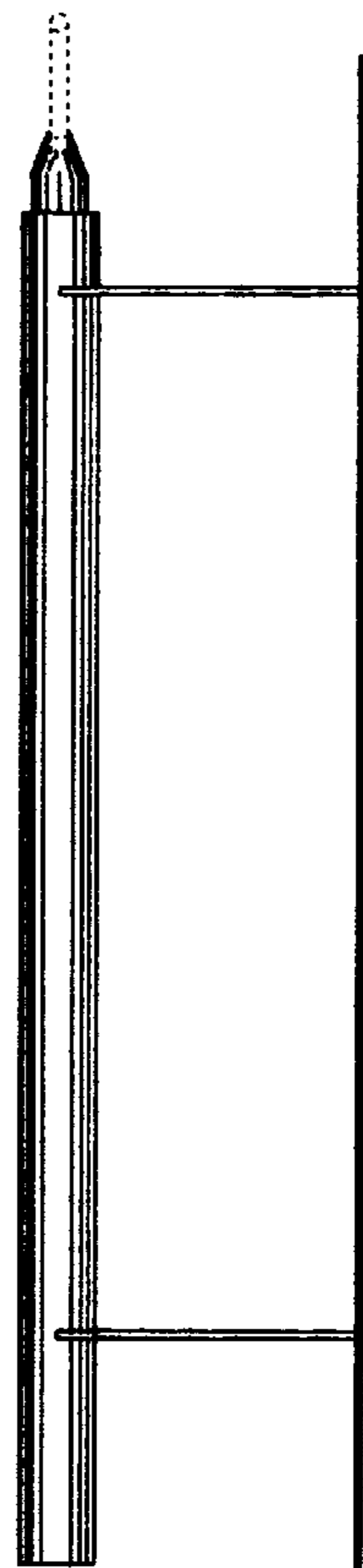


FIG. 4

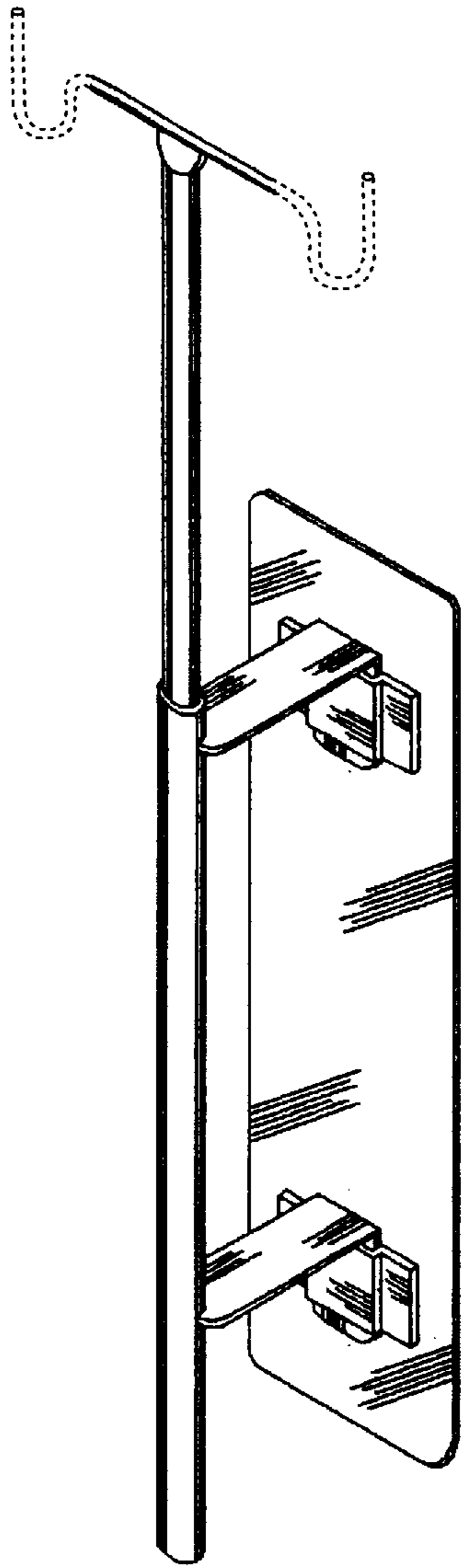


FIG. 7

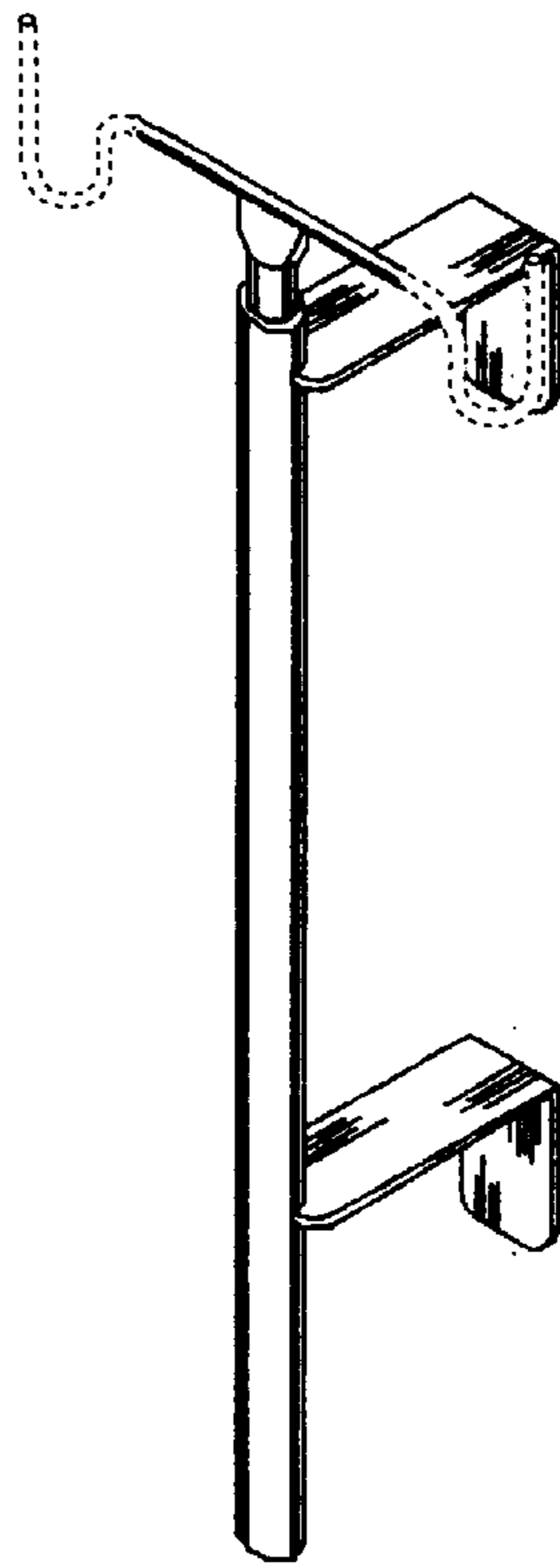


FIG. 8

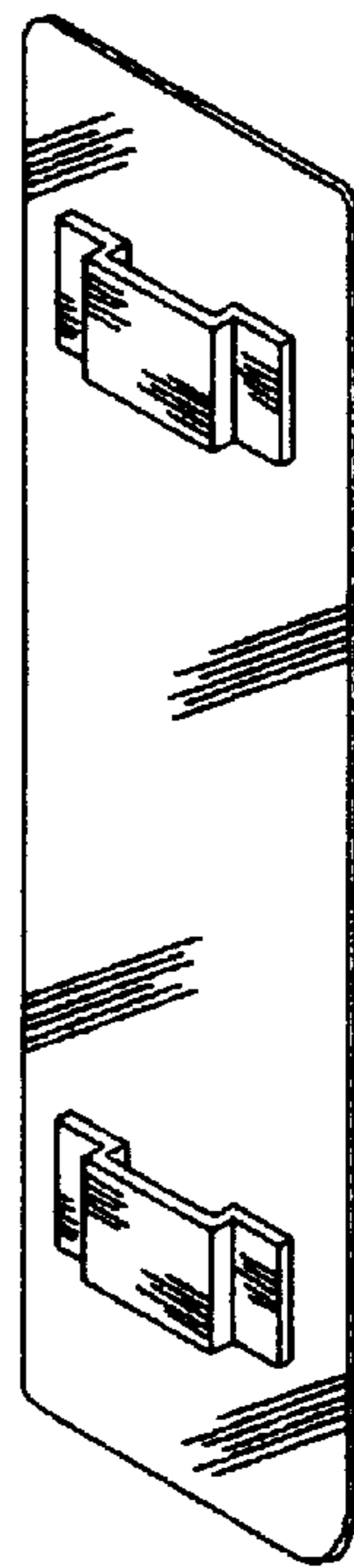


FIG. 9

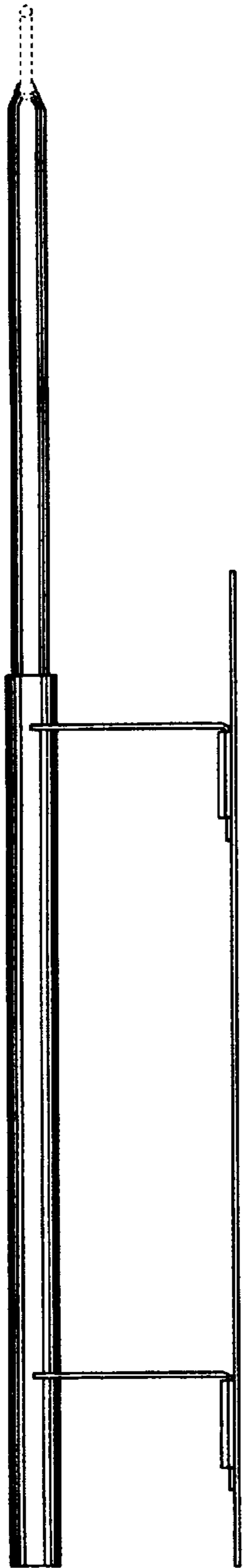


FIG. 10

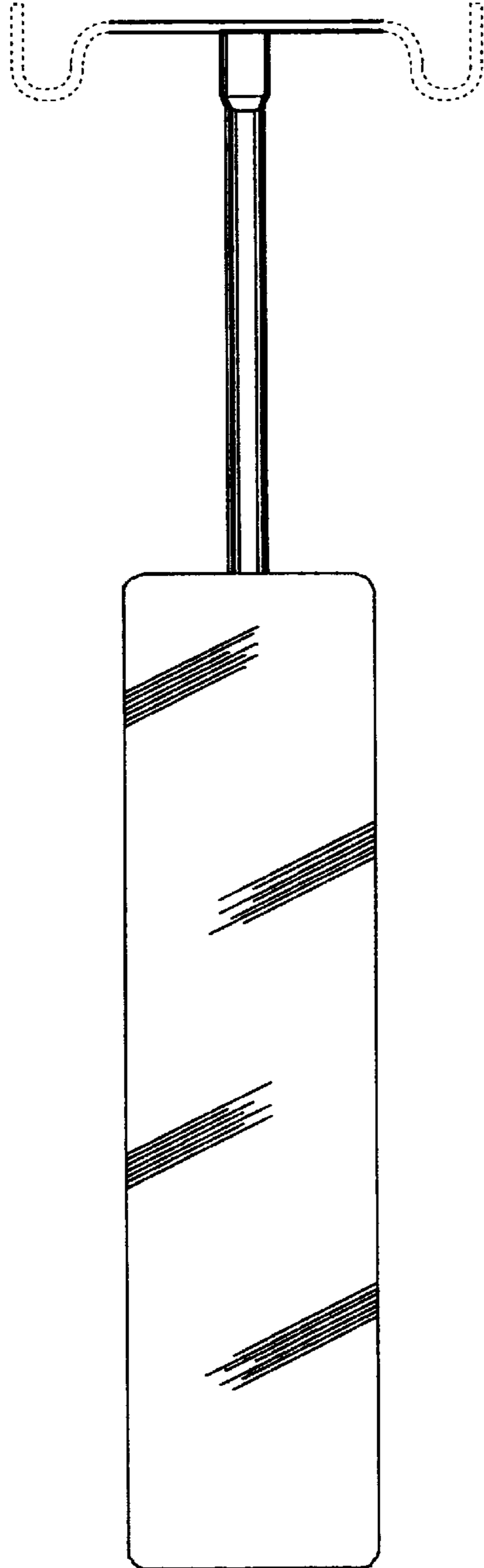


FIG. 12

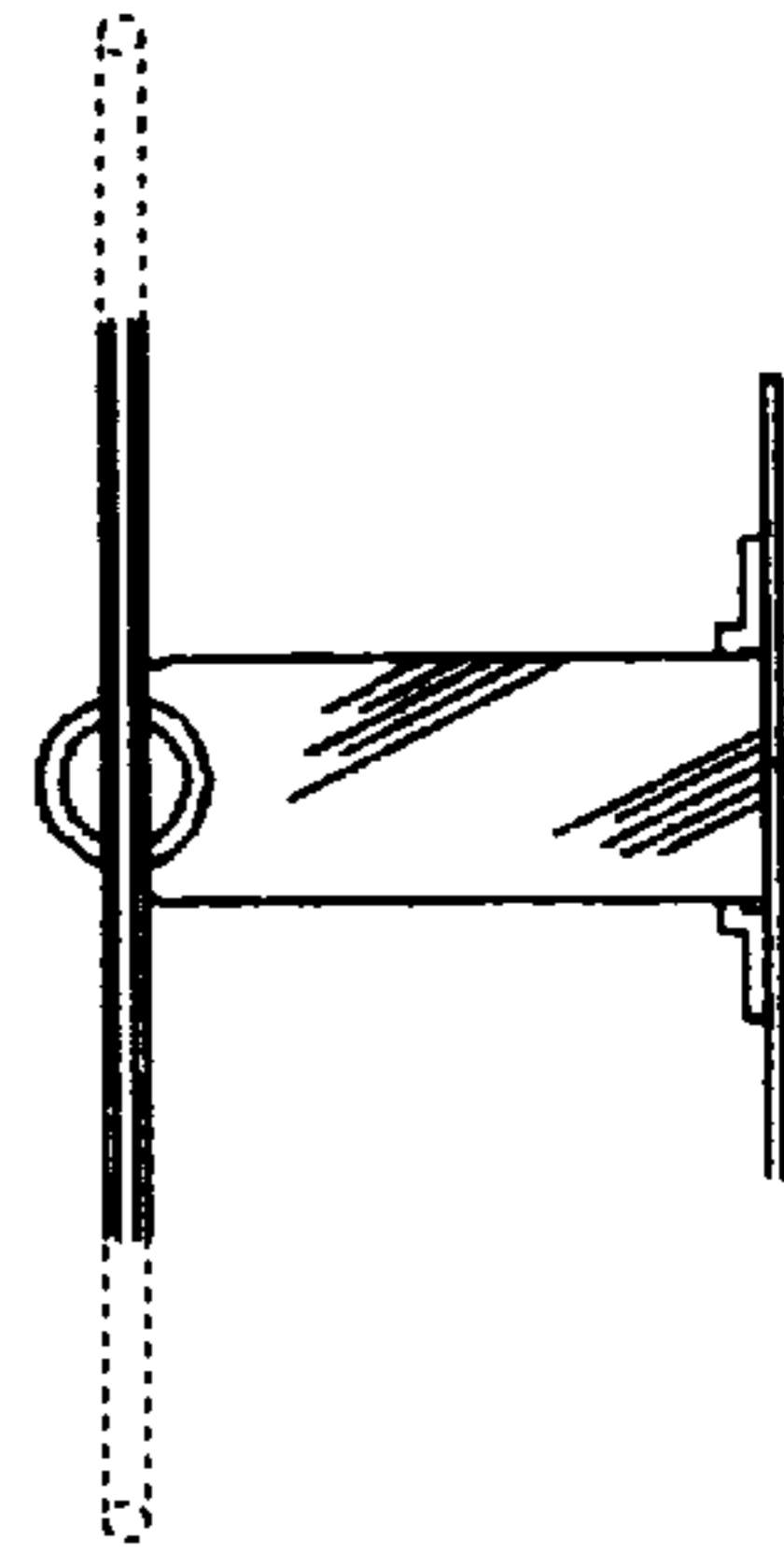


FIG. 11

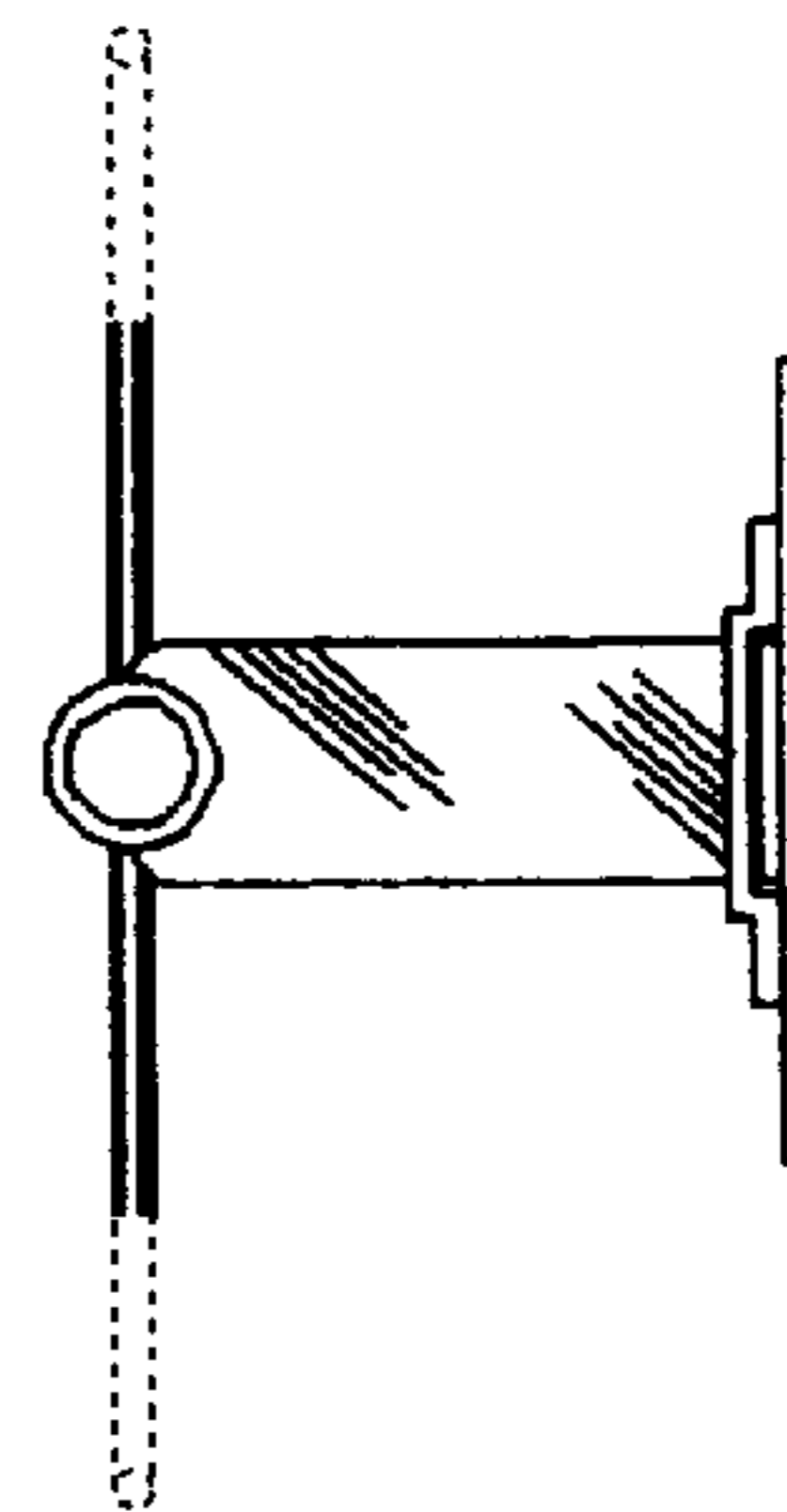


FIG. 13