



US00D437636S

(12) **United States Design Patent**
Basagañas

(10) **Patent No.:** **US D437,636 S**

(45) **Date of Patent:** **** Feb. 13, 2001**

(54) **SUBSTANCE EVAPORATOR**

(75) Inventor: **Jordi Basagañas**, Cerdanyola del Valles (ES)

(73) Assignee: **DBK Espana, S.A.**, Cerdanyola del Valles (ES)

(**) Term: **14 Years**

(21) Appl. No.: **29/095,818**

(22) Filed: **Oct. 30, 1998**

(30) **Foreign Application Priority Data**

Aug. 14, 1998 (ES) 143455

(51) **LOC (7) Cl.** **23-04**

(52) **U.S. Cl.** **D23/366; D23/360**

(58) **Field of Search** D23/366-369,
D23/355, 356-363; 422/305, 125; D9/529,
544, 571; 239/136, 135; 392/395, 392,
403, 405

(56) **References Cited**

U.S. PATENT DOCUMENTS

D. 332,749 * 1/1993 Pizar D9/529

D. 335,530 * 5/1993 Shimanski D23/366

D. 400,662 * 11/1998 Davis D23/366

D. 403,419 * 12/1998 Davis D23/366

* cited by examiner

Primary Examiner—Lisa Lichtenstein

(74) *Attorney, Agent, or Firm*—Helfgott & Karas, P.C.

(57) **CLAIM**

The ornamental design for a substance evaporator, as shown and described.

DESCRIPTION

FIG. 1 is a perspective view showing the front and right side thereof;

FIG. 2 is a perspective view showing the rear and left side thereof;

FIG. 3 is an exploded side perspective view thereof;

FIG. 4 is a front view thereof;

FIG. 5 is a right side thereof;

FIG. 6 is a rear view thereof;

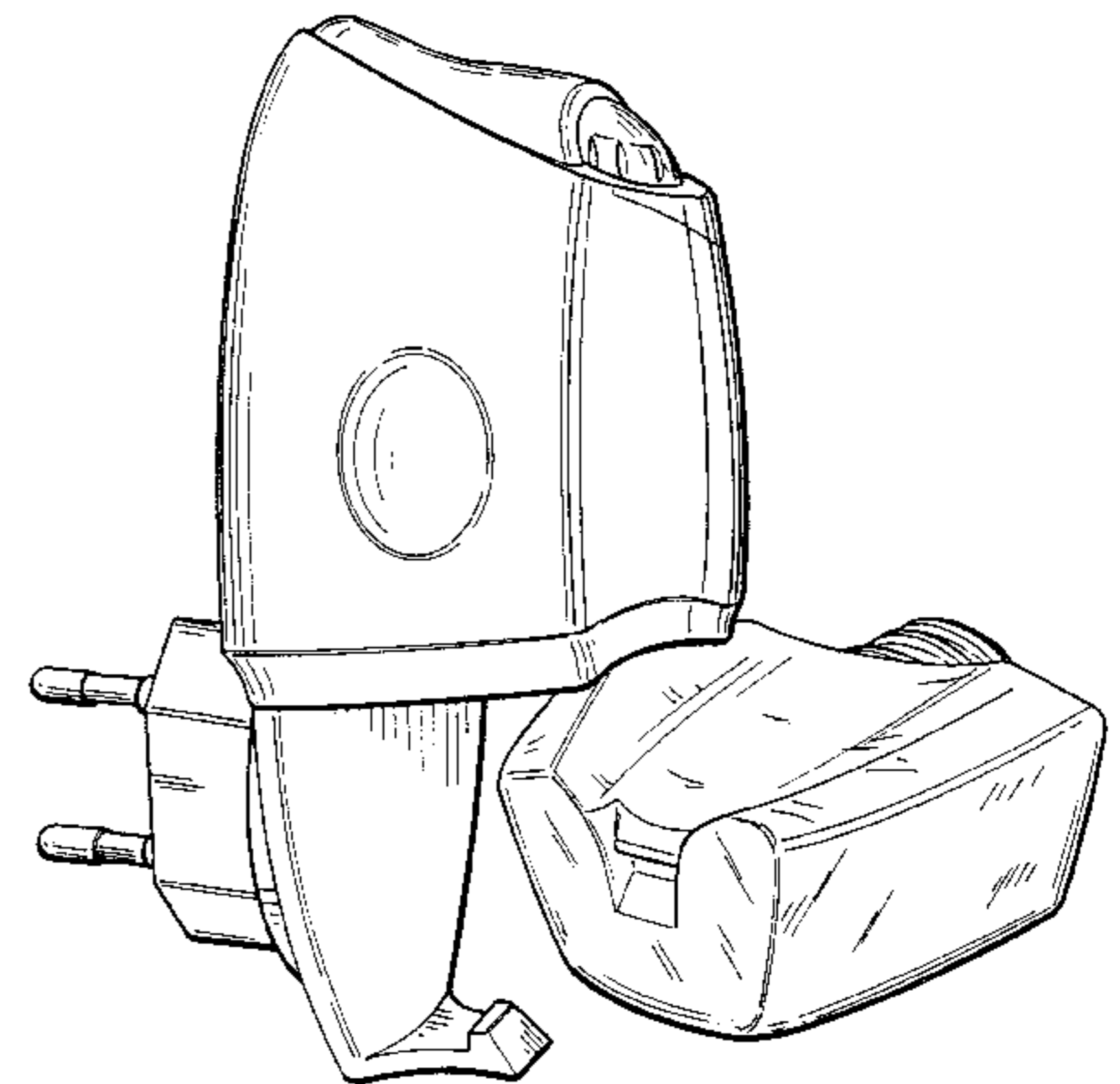
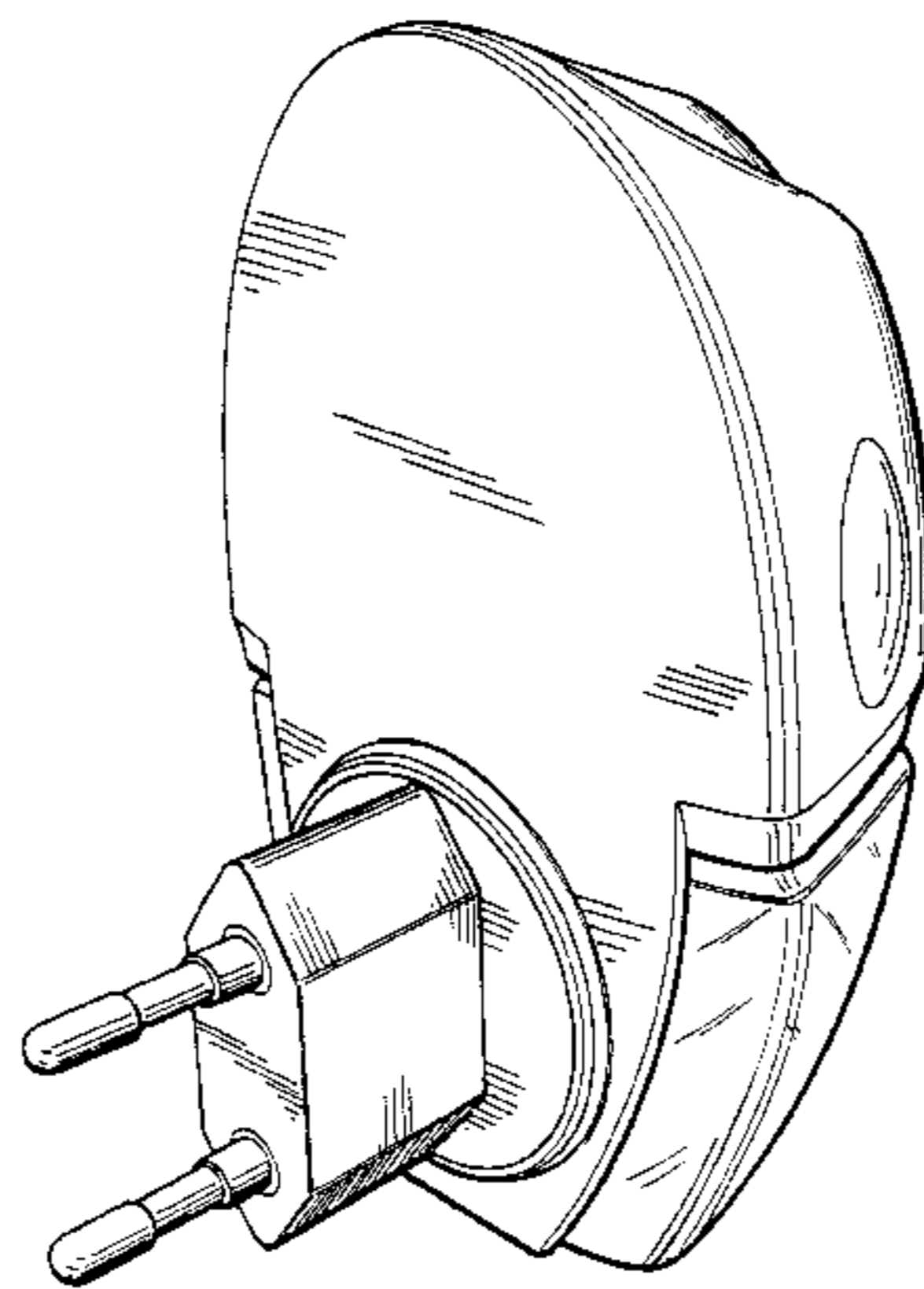
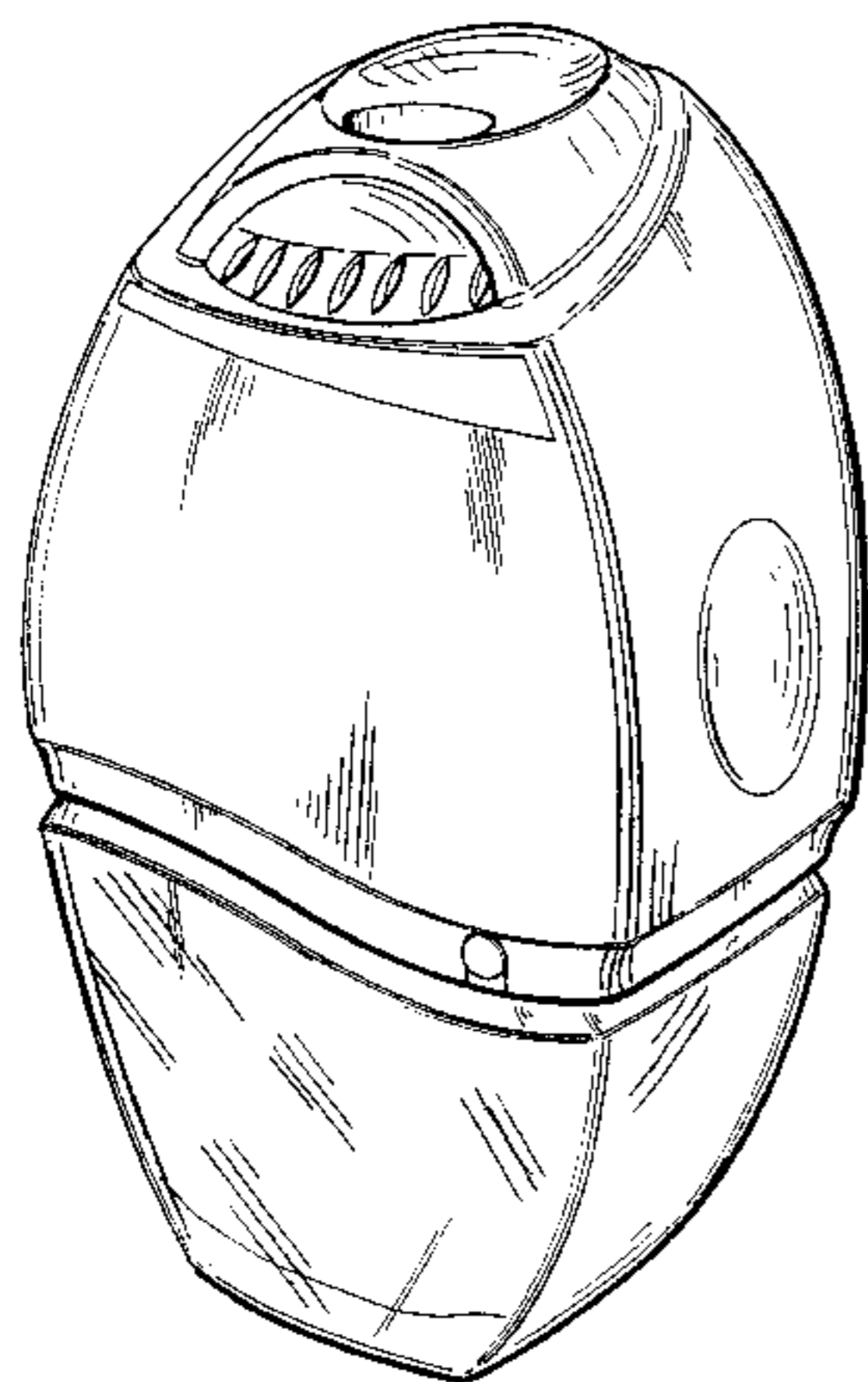
FIG. 7 is a left side thereof;

FIG. 8 is a top view thereof;

FIG. 9 is a bottom view thereof; and,

FIG. 10 is a front view in open position.

1 Claim, 7 Drawing Sheets



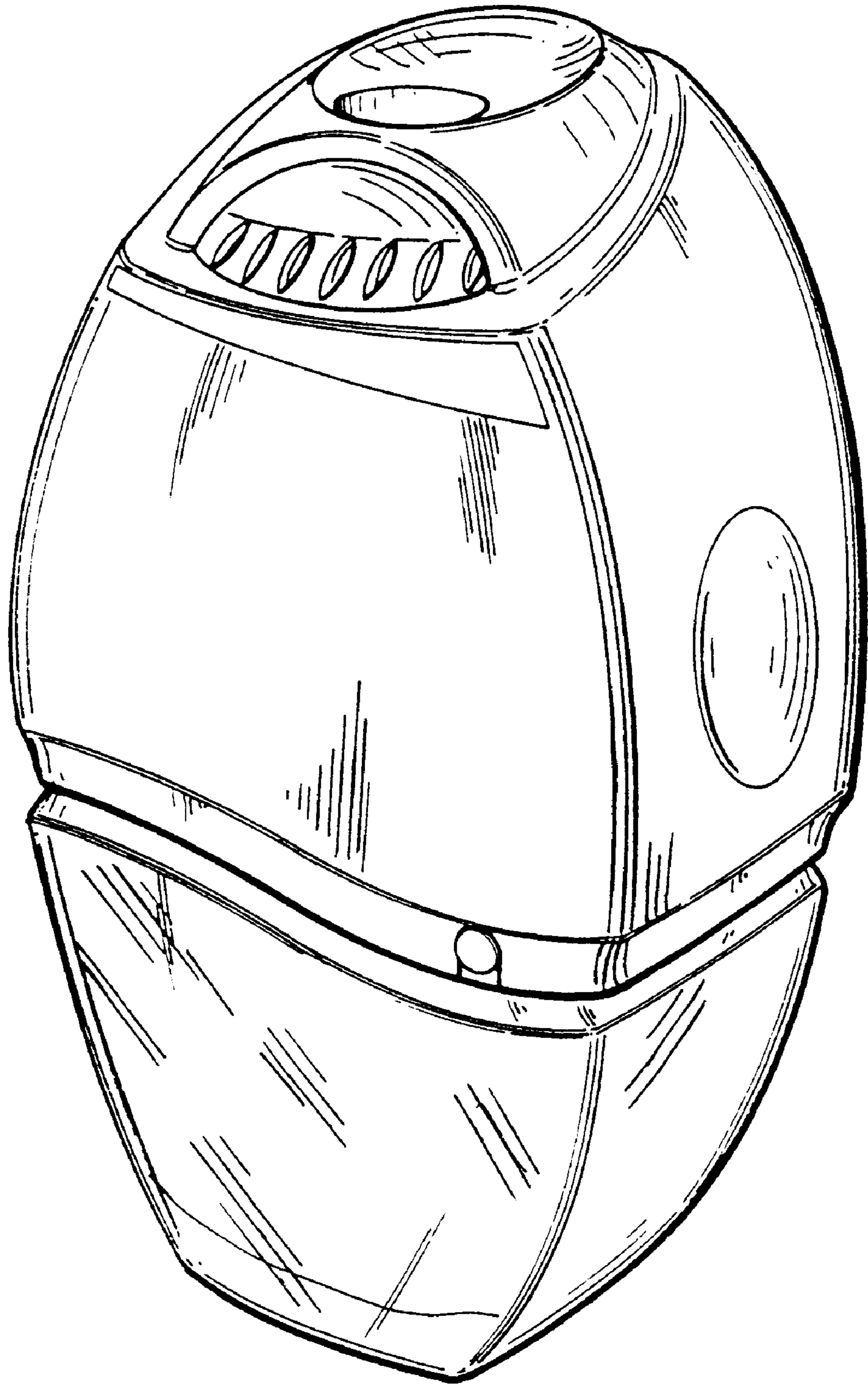


FIG.1

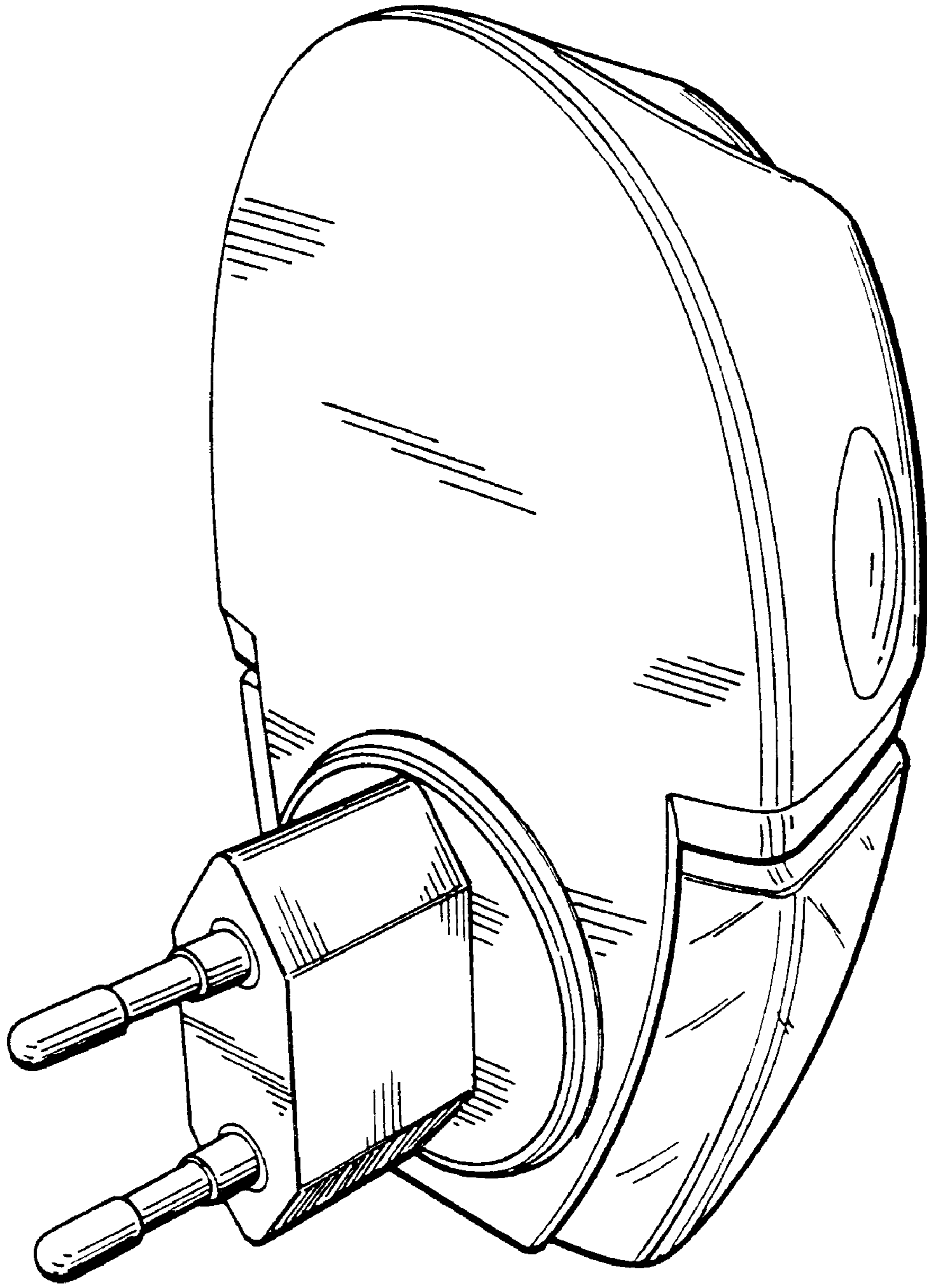


FIG. 2

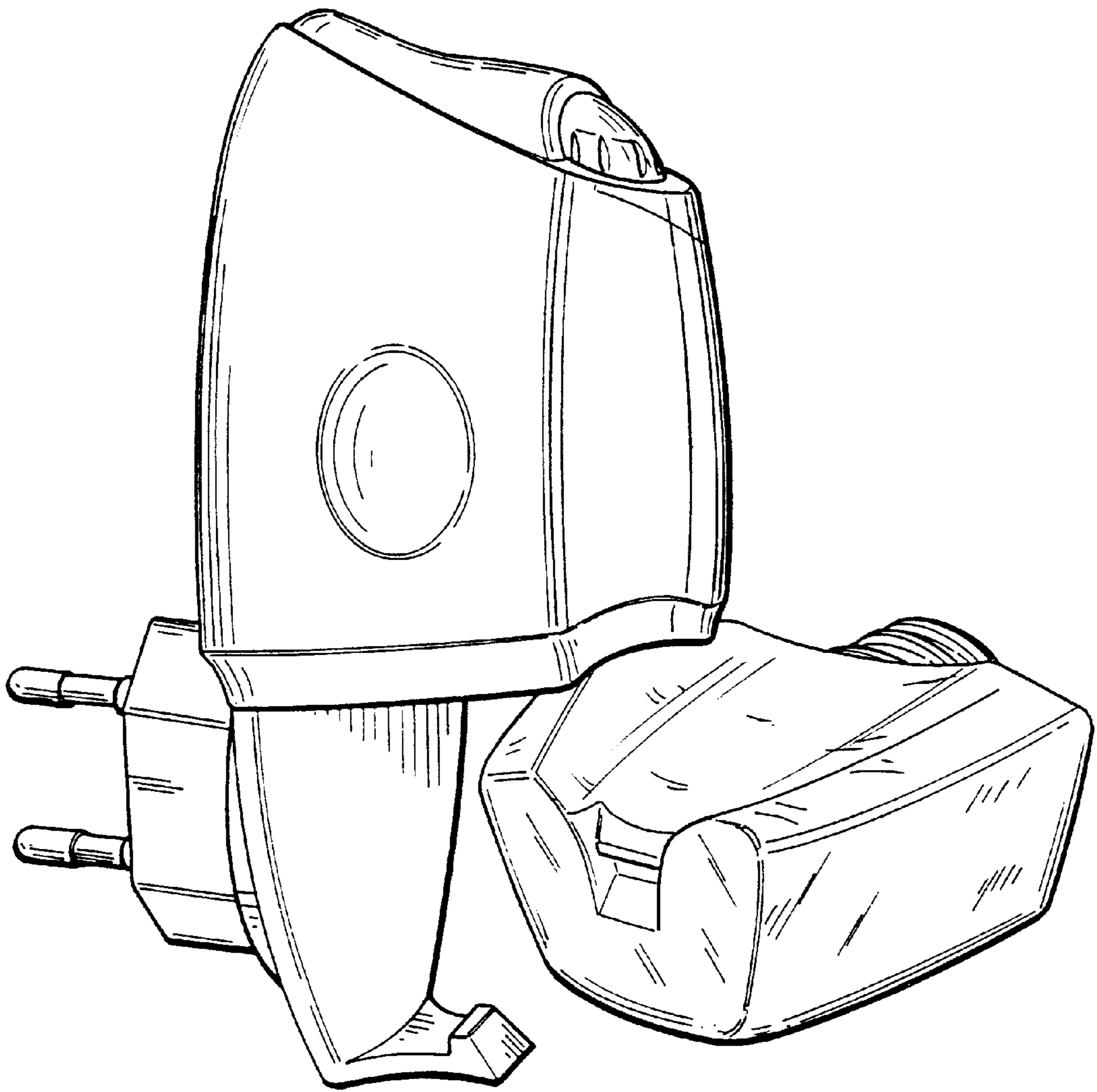


FIG. 3

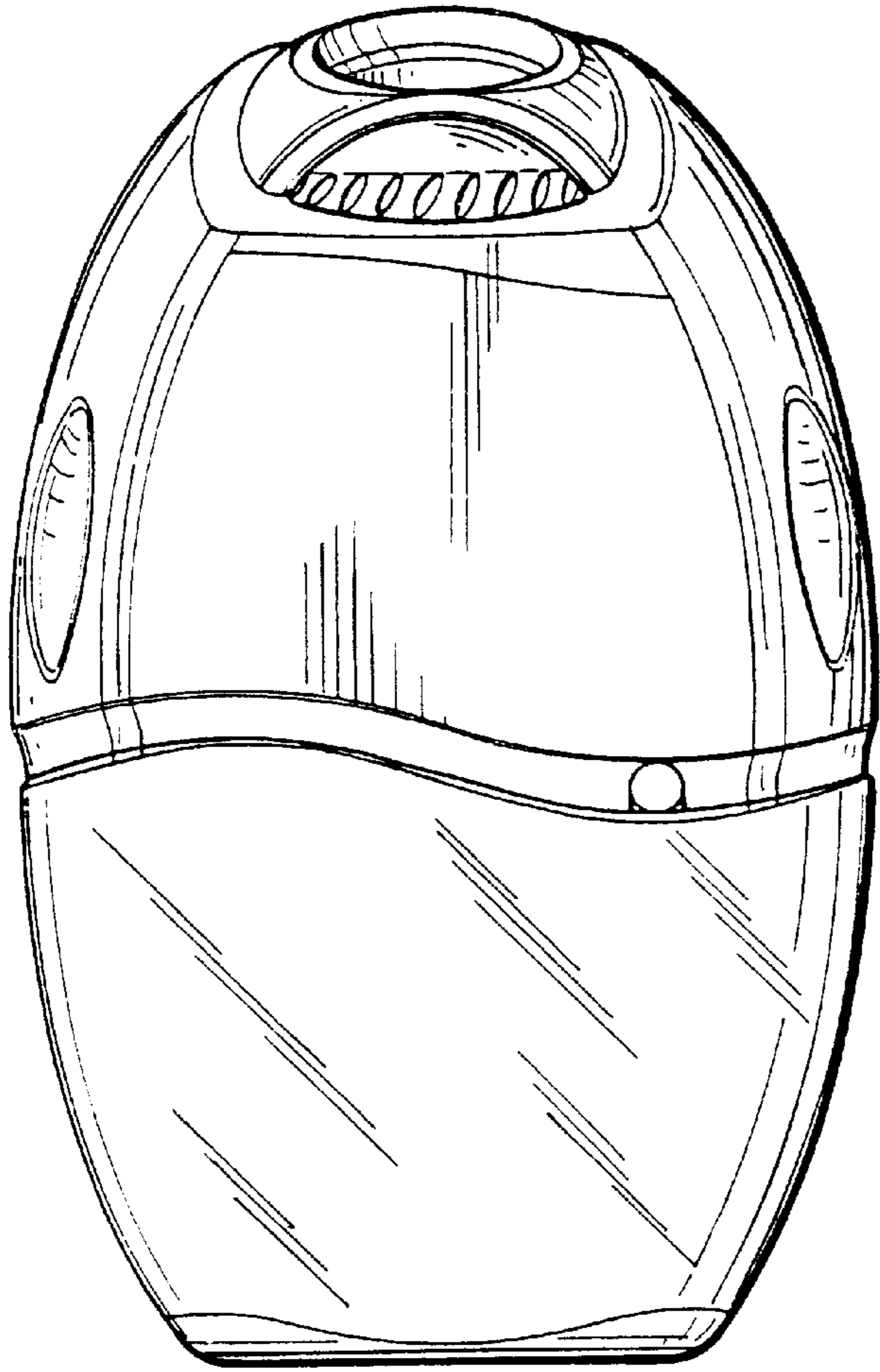


FIG. 4

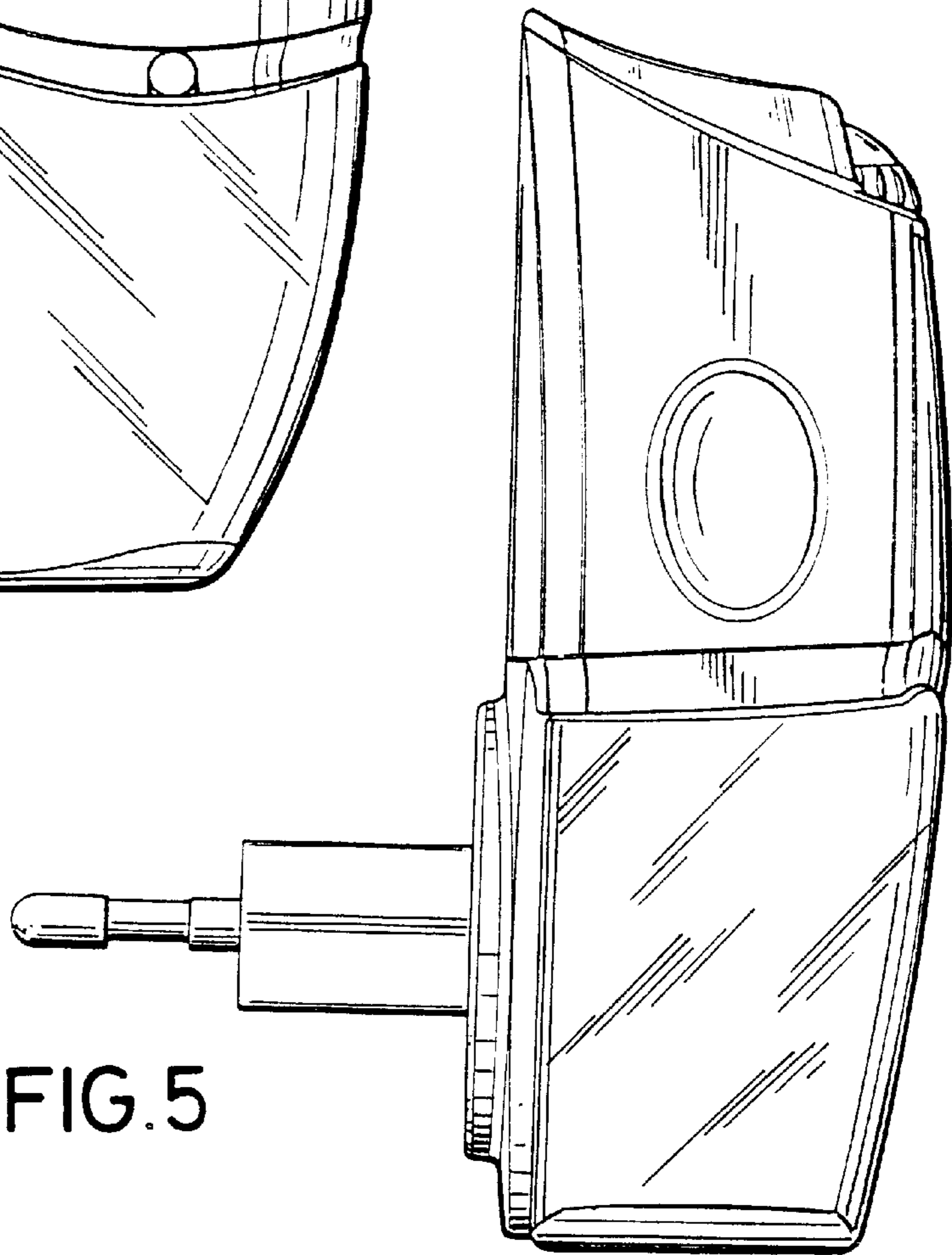


FIG. 5

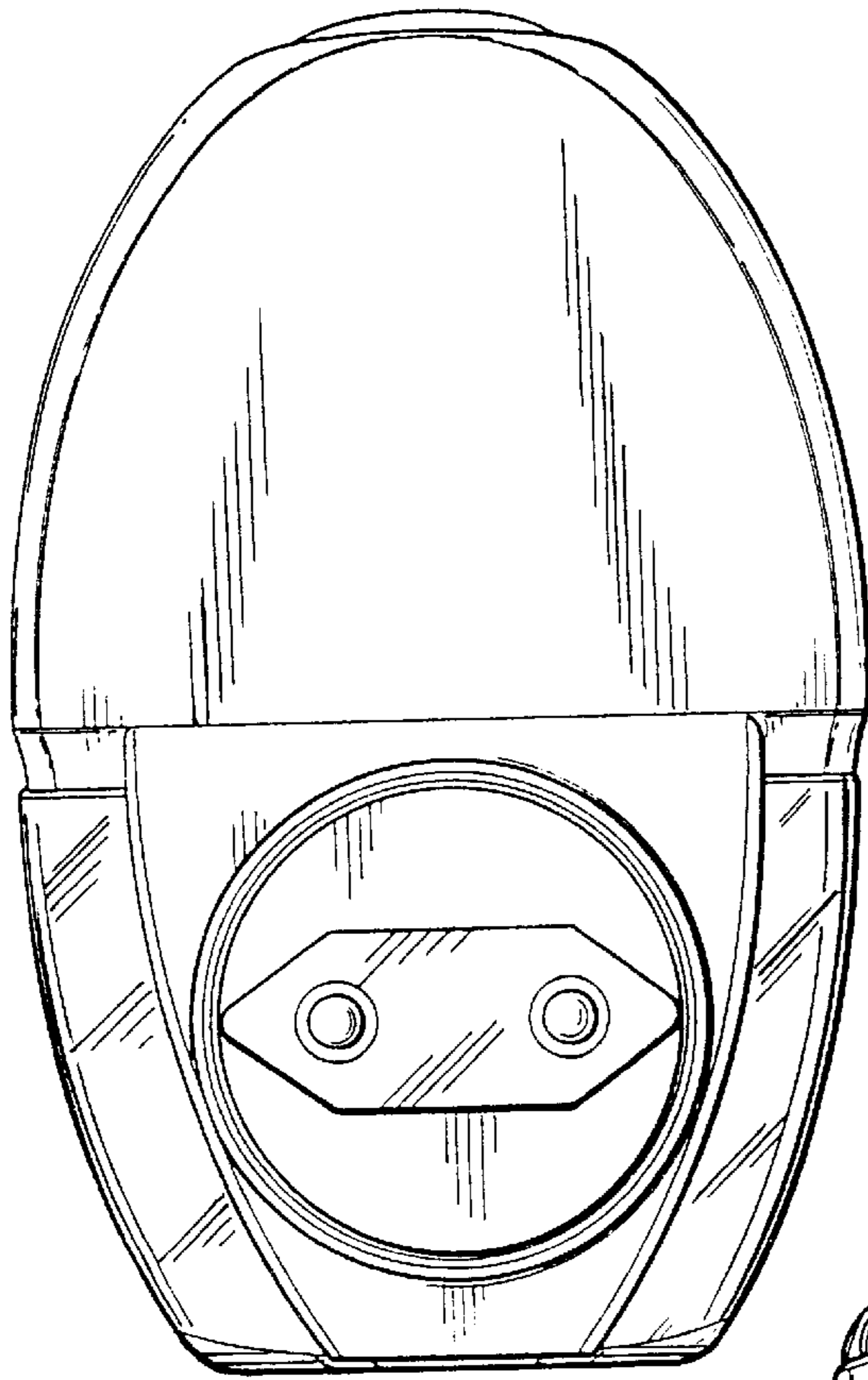


FIG. 6

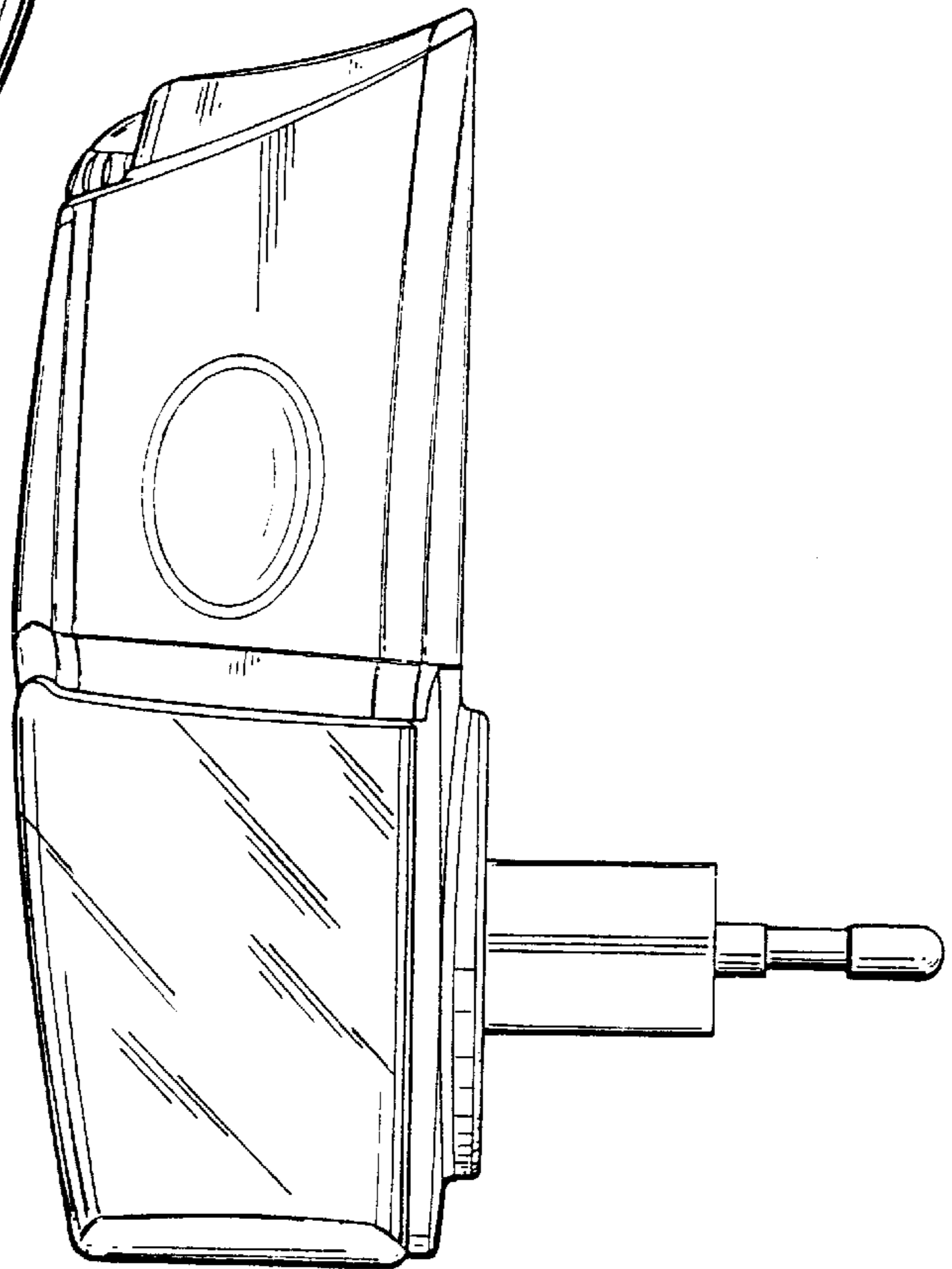


FIG. 7

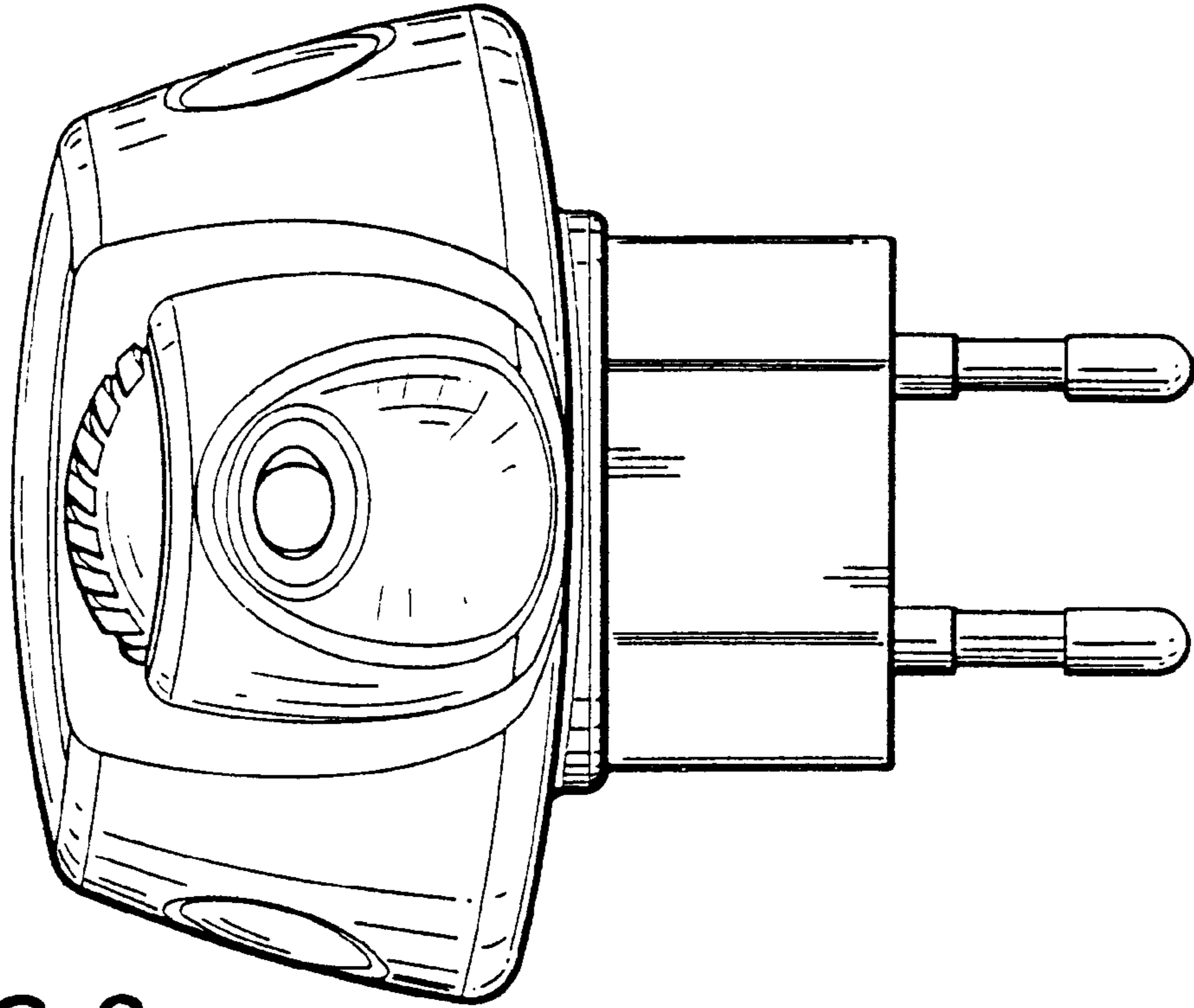


FIG. 8

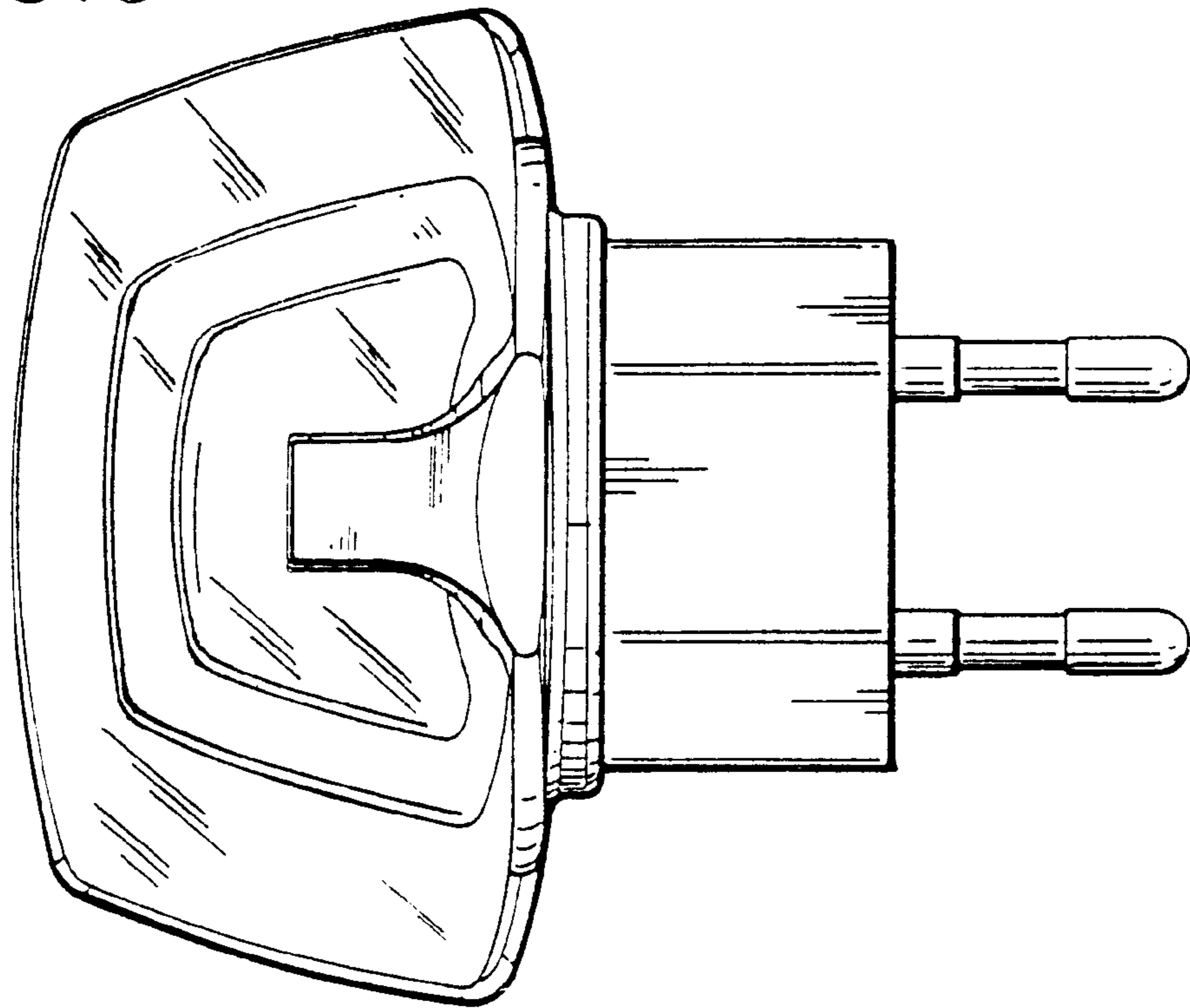


FIG. 9

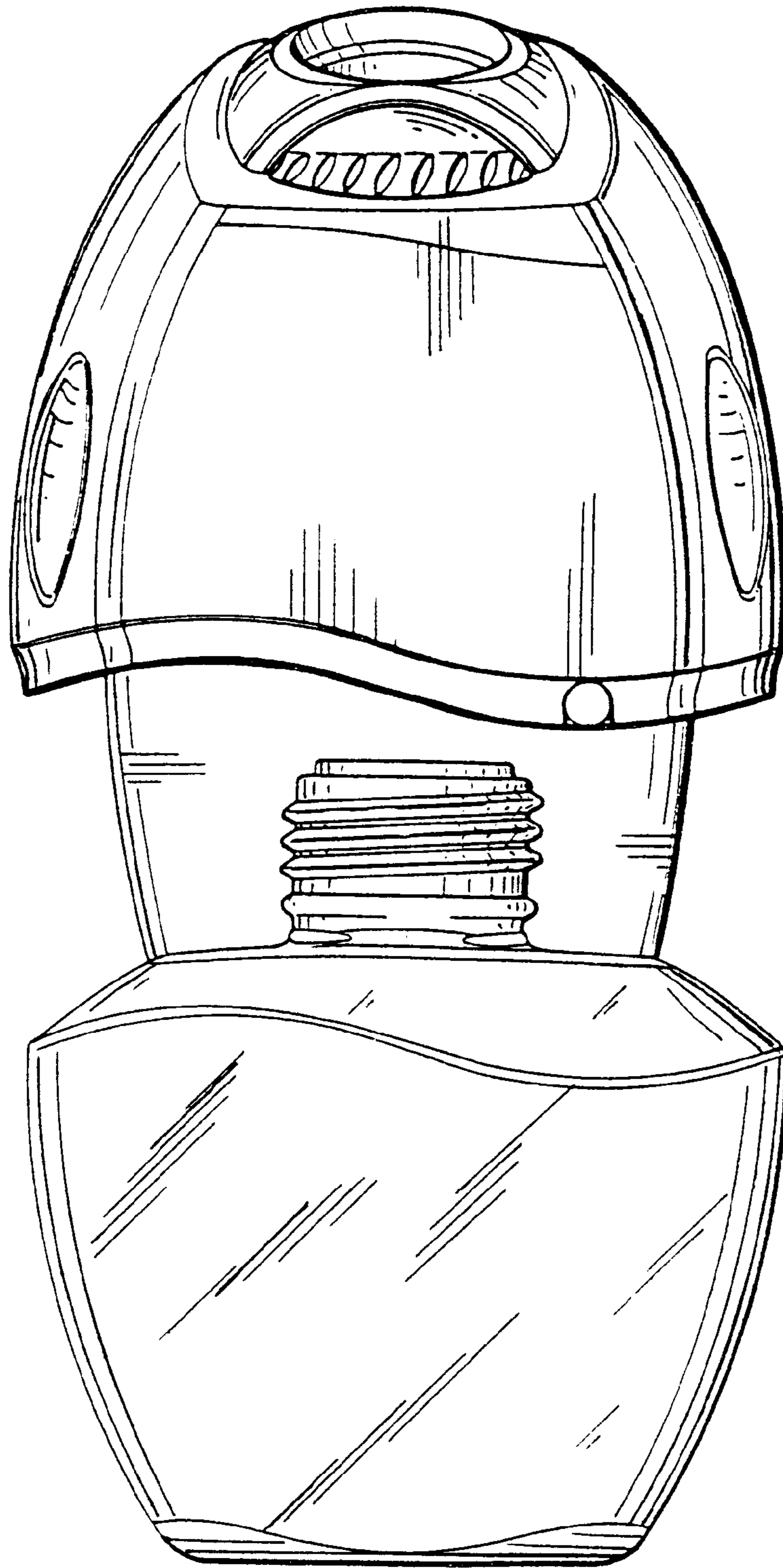


FIG.10