



US00D437635S

(12) **United States Design Patent**  
**Lozzio et al.**

(10) **Patent No.:** **US D437,635 S**

(45) **Date of Patent:** **\*\* Feb. 13, 2001**

(54) **AIR CLEANER**

(75) Inventors: **Chris Lozzio**, Medway, MA (US);  
**Stephen M. Gatchell**, Warwick, RI (US);  
**Gerald Cote**, Westborough; **Rafael Yepez**, Jamaica Plain, both of MA (US)

(73) Assignee: **Honeywell International Inc.**,  
Morristown, NJ (US)

(\*\*) Term: **14 Years**

(21) Appl. No.: **29/116,950**

(22) Filed: **Jan. 13, 2000**

(51) **LOC (7) Cl.** ..... **23-04**

(52) **U.S. Cl.** ..... **D23/364**

(58) **Field of Search** ..... D23/364, 365;  
96/97; 55/521, 498, 510

(56) **References Cited**

**U.S. PATENT DOCUMENTS**

D. 416,613 \* 11/1999 Bellil et al. .... D23/364

\* cited by examiner

*Primary Examiner*—Lisa Lichtenstein

(74) *Attorney, Agent, or Firm*—Robert B. Leonard

(57) **CLAIM**

The ornamental design for an air cleaner; as shown.

**DESCRIPTION**

FIG. 1 is a front perspective view of an air cleaner showing our design.

FIG. 2 is a front elevational view of the air cleaner shown in FIG. 1.

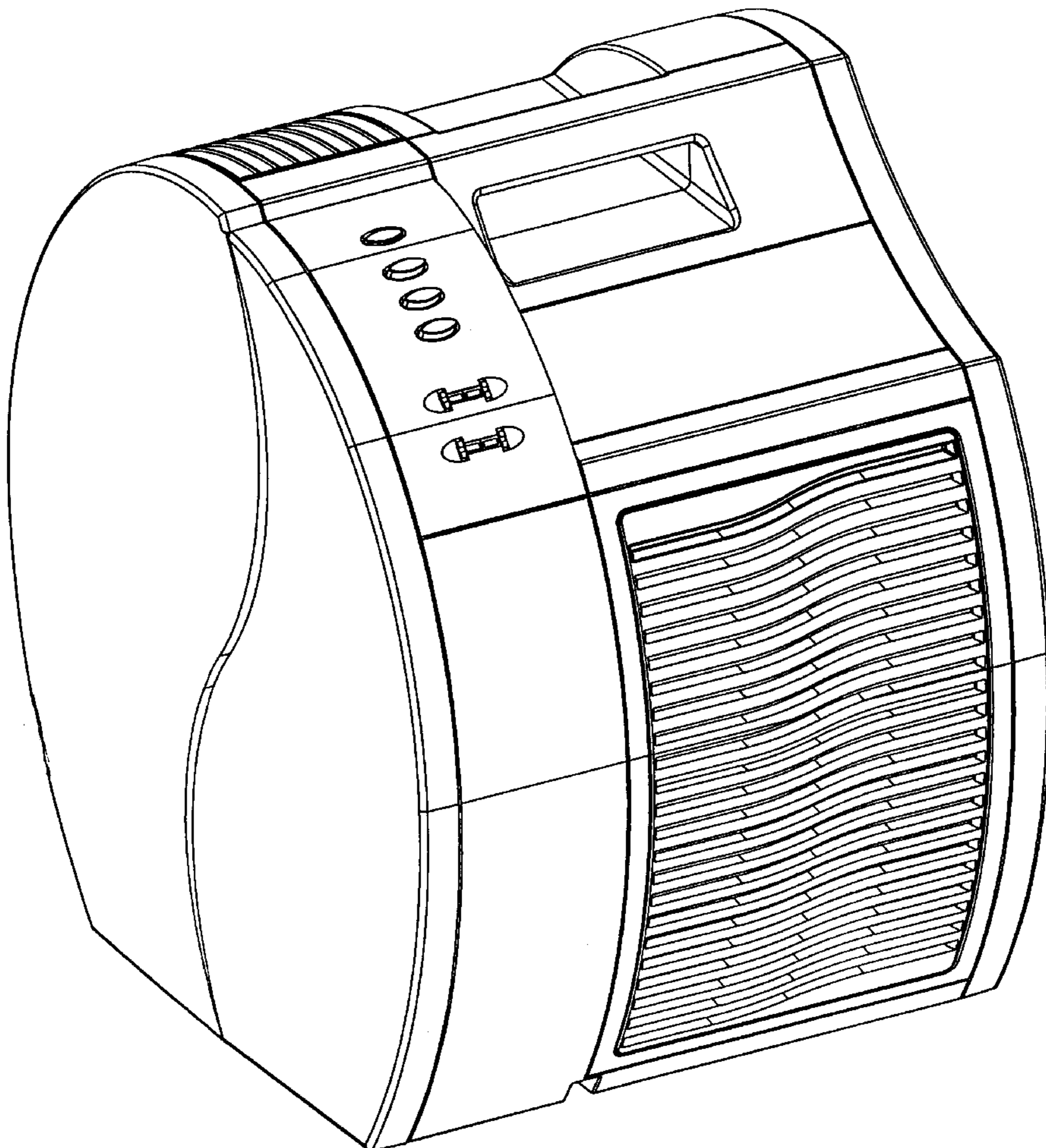
FIG. 3 is a rear elevational view of the air cleaner shown in FIG. 1.

FIG. 4 is a left side elevational view of the air cleaner shown in FIG. 1.

FIG. 5 is a right side elevational view of the air cleaner shown in FIG. 1; and,

FIG. 6 is a top plan view of the air cleaner shown in FIG. 1. The surface(s) or portion(s) of the article not shown in the drawing or described in the specification form(s) no part of the claimed design.

**1 Claim, 6 Drawing Sheets**



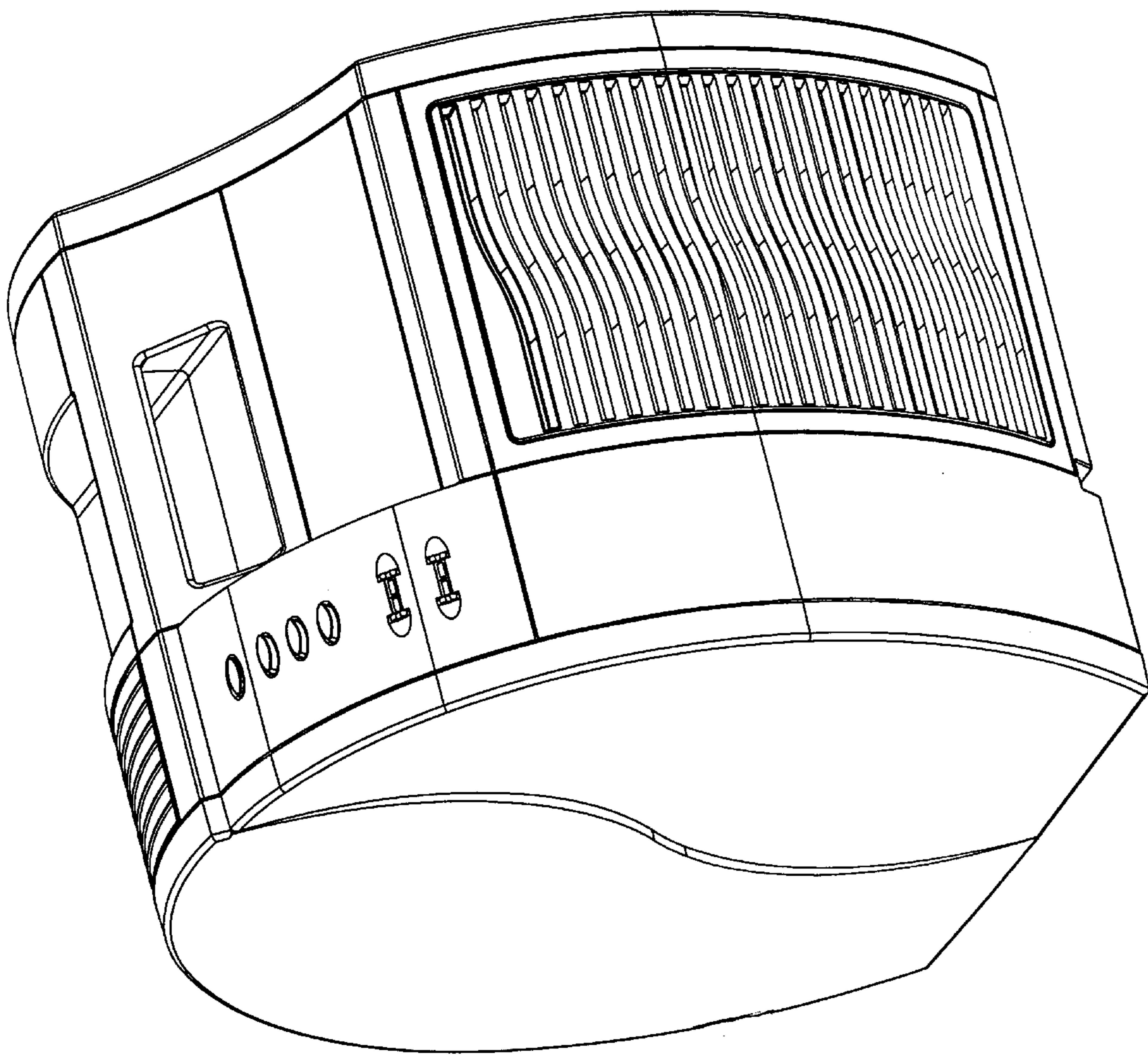


FIGURE 1

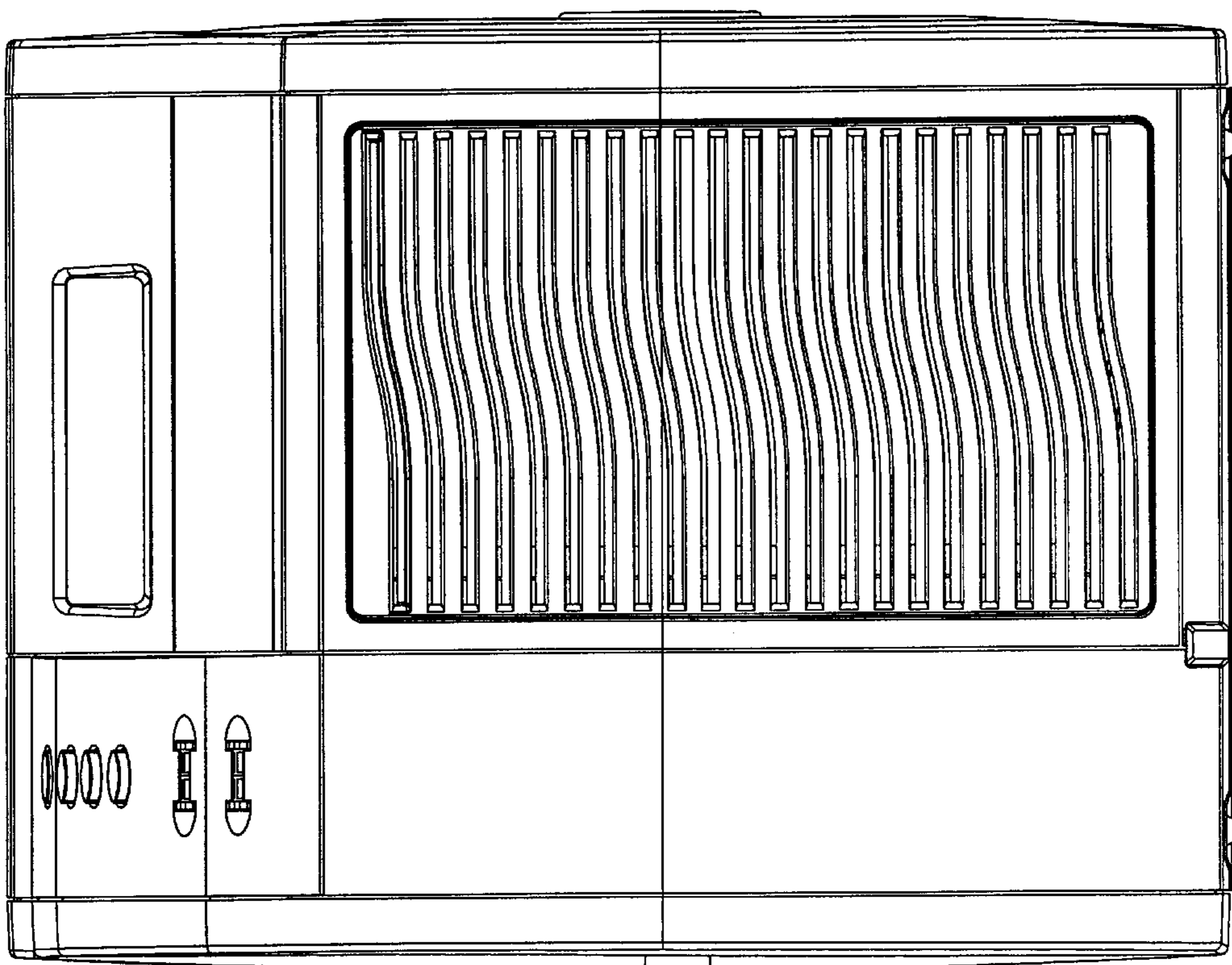


FIGURE 2

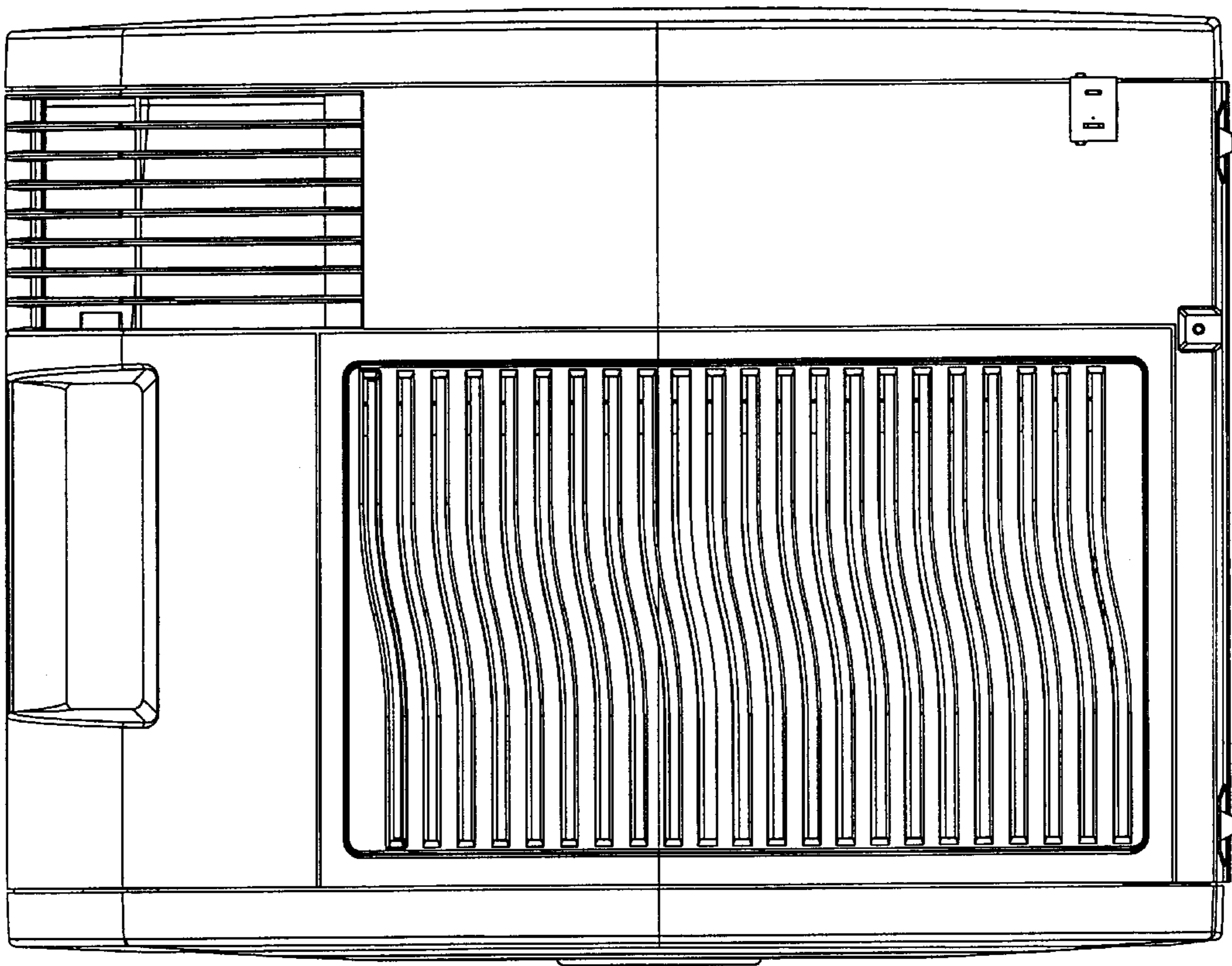


FIGURE 3

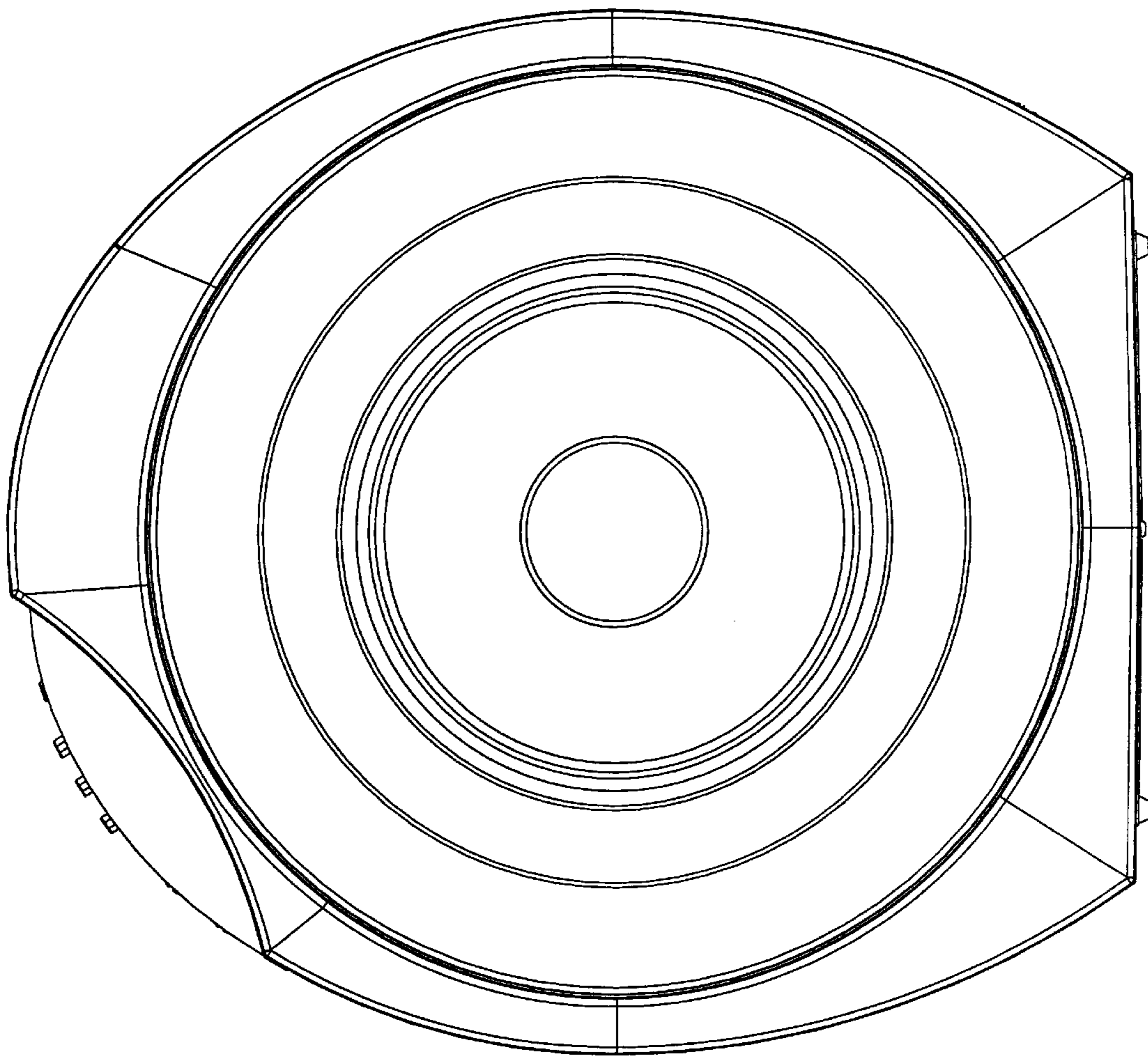


FIGURE 4

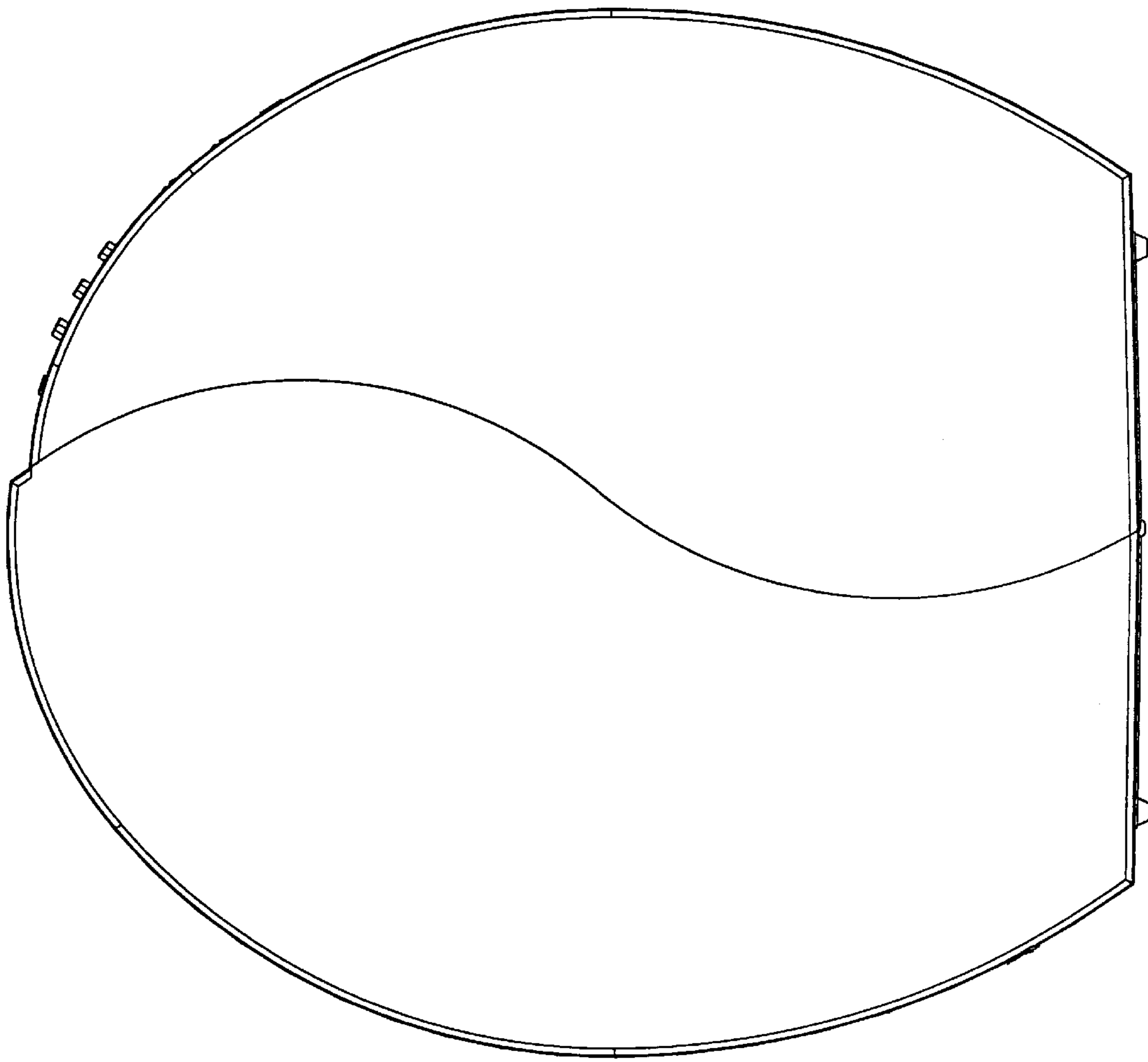


FIGURE 5

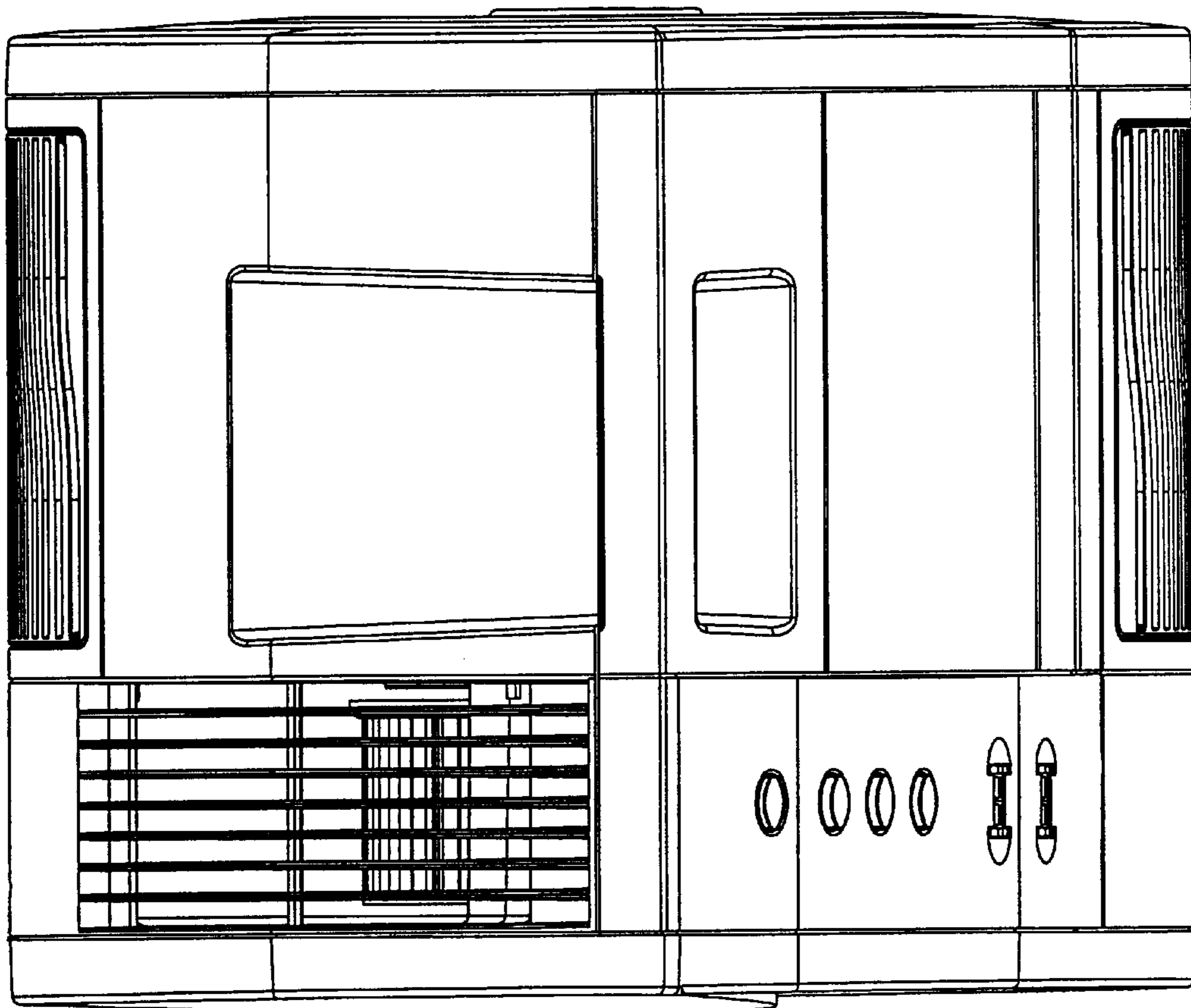


FIGURE 6