



US00D437633S

(12) **United States Design Patent**
Weise et al.

(10) **Patent No.:** **US D437,633 S**

(45) **Date of Patent:** **** Feb. 13, 2001**

(54) **PLUMBING FITTING**

(76) Inventors: **Gary K. Weise**, #8 Haggerston Aisle,
Irvine, CA (US) 92715; **Richard Kesl**,
3560 Vista Glen Cir., Yorba Linda, CA
(US) 92886

(**) Term: **14 Years**

(21) Appl. No.: **29/109,879**

(22) Filed: **Aug. 25, 1999**

Related U.S. Application Data

(63) Continuation-in-part of application No. 29/077,710, filed on
Oct. 9, 1997.

(51) **LOC (7) Cl.** **23-01**

(52) **U.S. Cl.** **D23/263**

(58) **Field of Search** D23/263, 266,
D23/268; 4/679, 681, DIG. 7; 285/179,
183, 125.1

(56) **References Cited**

U.S. PATENT DOCUMENTS

D. 202,096 * 8/1965 Parks D23/268

D. 345,413 * 3/1994 Brown D23/263
2,292,328 * 8/1942 Sisk 285/125.1
2,576,630 * 11/1951 Mueller et al. 285/125.1

* cited by examiner

Primary Examiner—Alan P. Douglas

Assistant Examiner—Reid Hecker

(74) *Attorney, Agent, or Firm*—Terry L. Miller

(57) **CLAIM**

I claim the ornamental design for a plumbing fitting, as shown.

DESCRIPTION

A description of the appearance of the article is as follows:
A plumbing fitting as illustrated in the attached drawing
Figures.

FIG. 1 is a perspective view of the plumbing fitting;

FIG. 2 is a top plan view of the plumbing fitting;

FIG. 3 is a side elevation view of the plumbing fitting taken
from a side opposite to that of FIG. 1;

FIG. 4 is a back elevation view of the plumbing fitting; and,

FIG. 5 is a bottom plan view of the plumbing fitting.

1 Claim, 2 Drawing Sheets

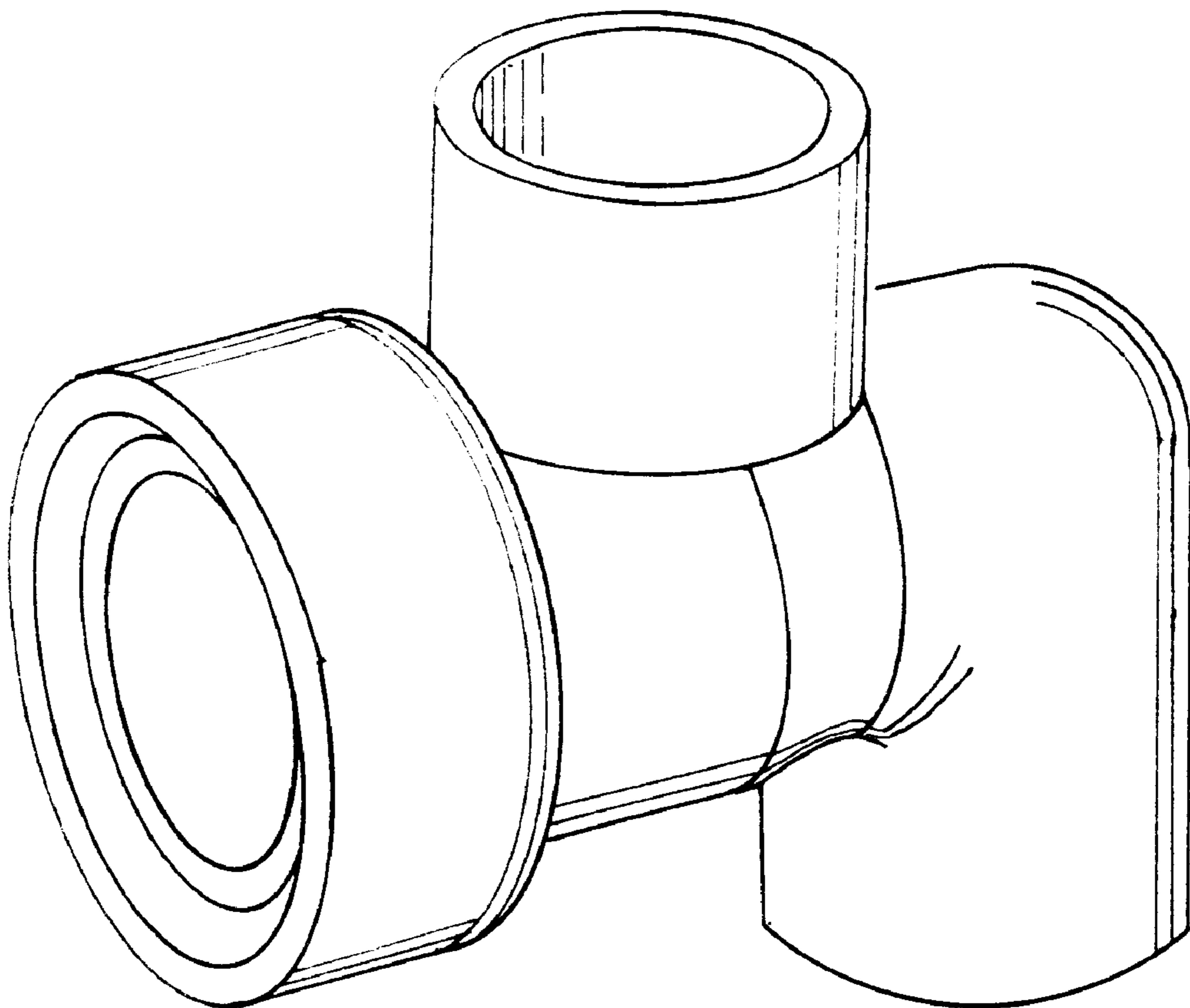


FIG. 1.

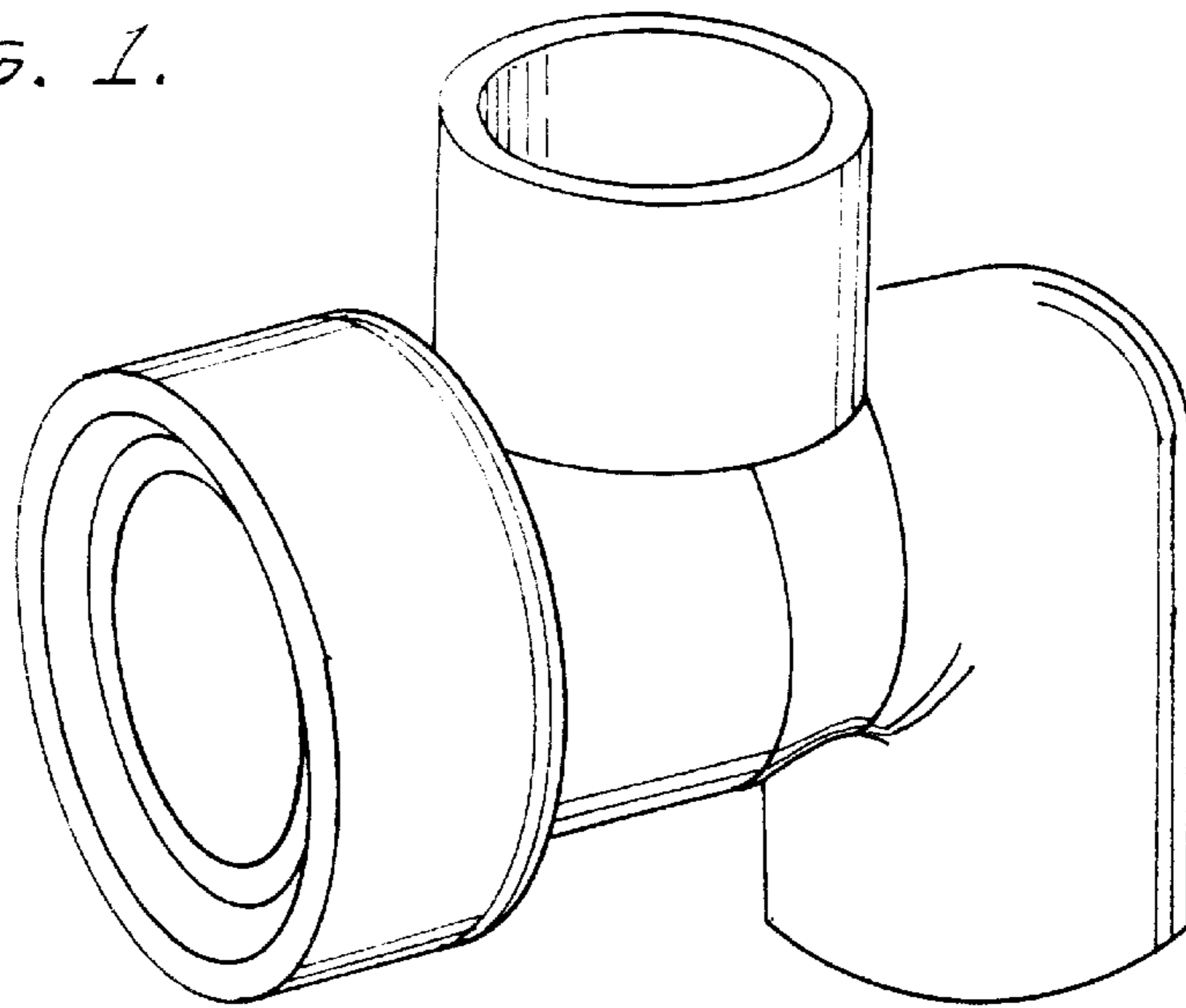


FIG 2.

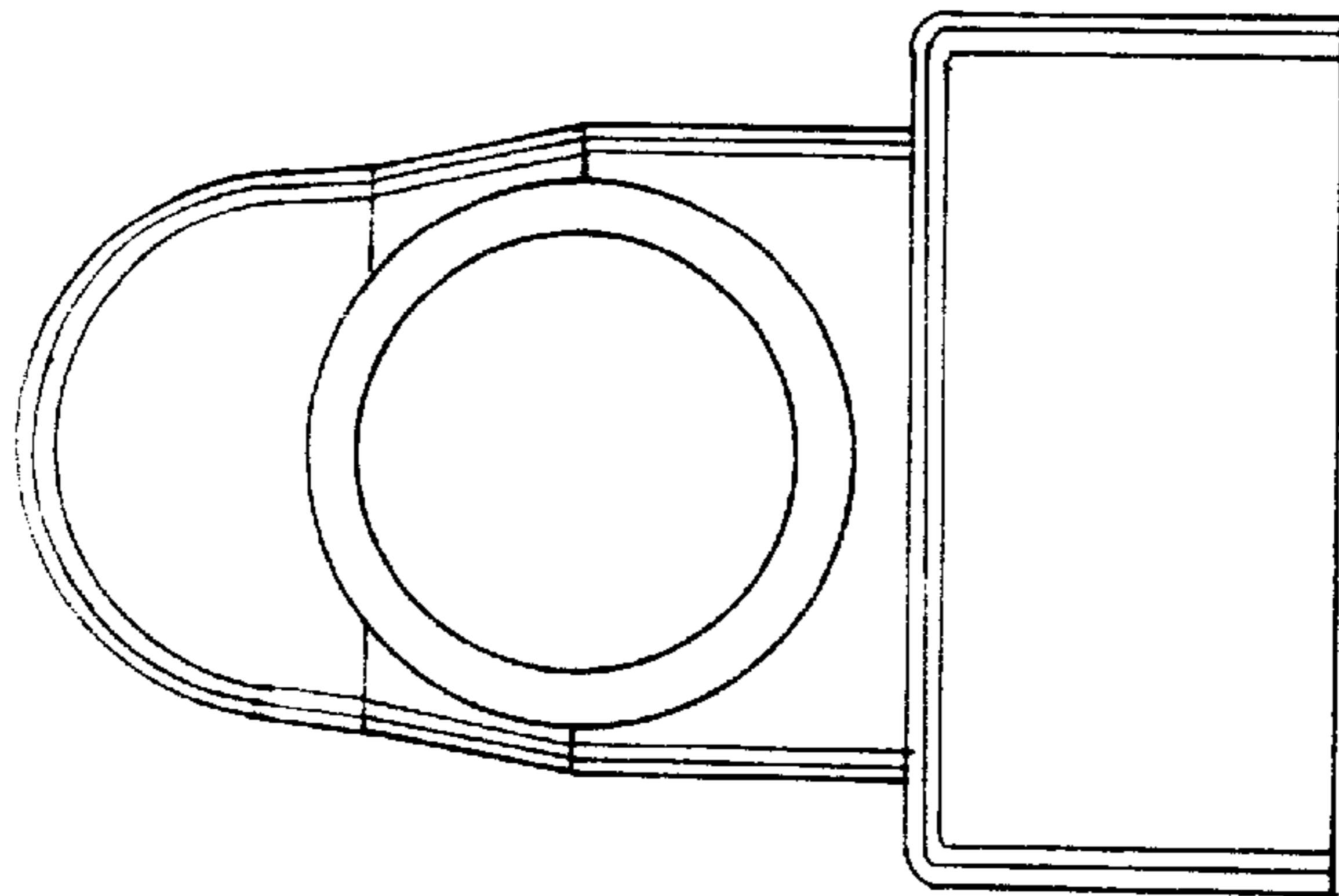


FIG. 3.

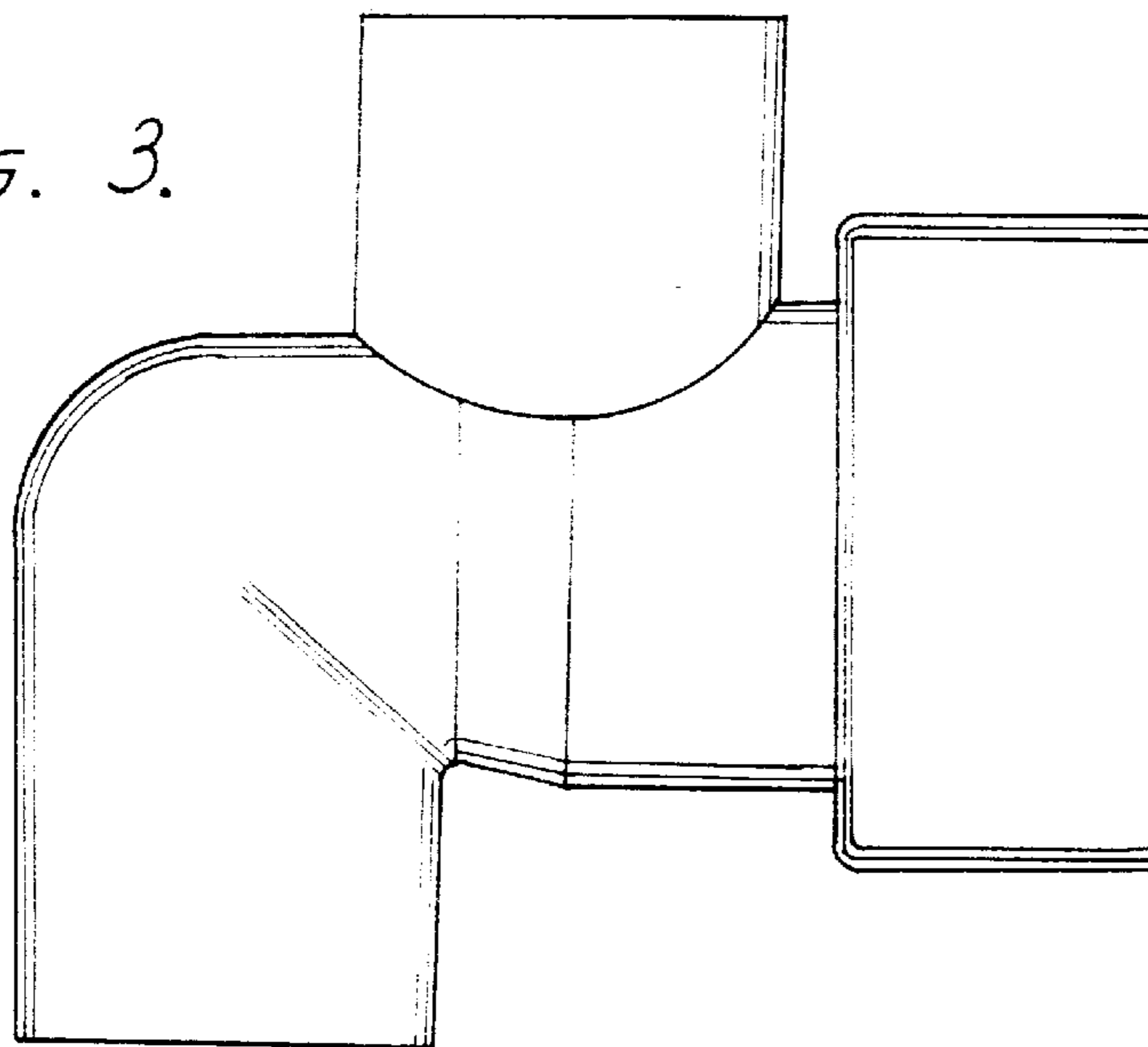


FIG. 4.

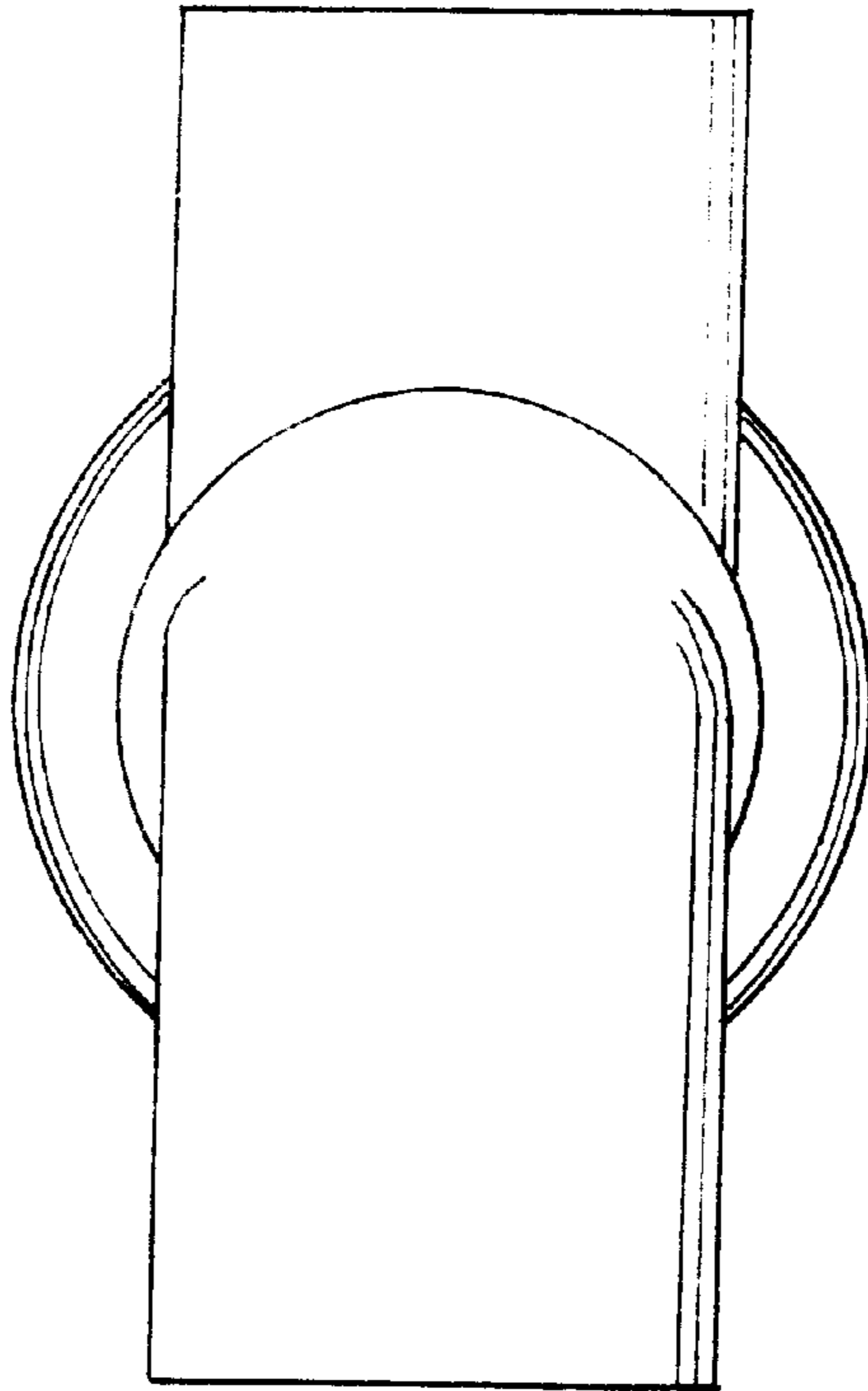


FIG. 5.

