



US00D437631S

(12) **United States Design Patent**  
**Robbins**

(10) **Patent No.:** **US D437,631 S**

(45) **Date of Patent:** **\*\* Feb. 13, 2001**

(54) **DUAL HANDLE FAUCET**

(75) **Inventor:** **Tom Edward Robbins**, Oakland, CA (US)

(73) **Assignee:** **Mico Designs Ltd.**, Chicago, IL (US)

(\*\*) **Term:** **14 Years**

(21) **Appl. No.:** **29/126,190**

(22) **Filed:** **Jul. 7, 2000**

(51) **LOC (7) Cl.** ..... **23-01**

(52) **U.S. Cl.** ..... **D23/242; D23/241**

(58) **Field of Search** ..... **D23/238-243, D23/250-257; 4/675-678; 137/801**

(56) **References Cited**

**U.S. PATENT DOCUMENTS**

D. 280,009 \* 8/1985 Miller et al. .... D23/242  
D. 284,992 \* 8/1986 Joerger ..... D23/242

**OTHER PUBLICATIONS**

Two catalog pages published before Jun. 1, 1999, source unknown.

\* cited by examiner

*Primary Examiner*—Louis S. Zarfes  
*Assistant Examiner*—Gregory Andoll

(74) *Attorney, Agent, or Firm*—Rockey, Milnamow & Katz, Ltd.

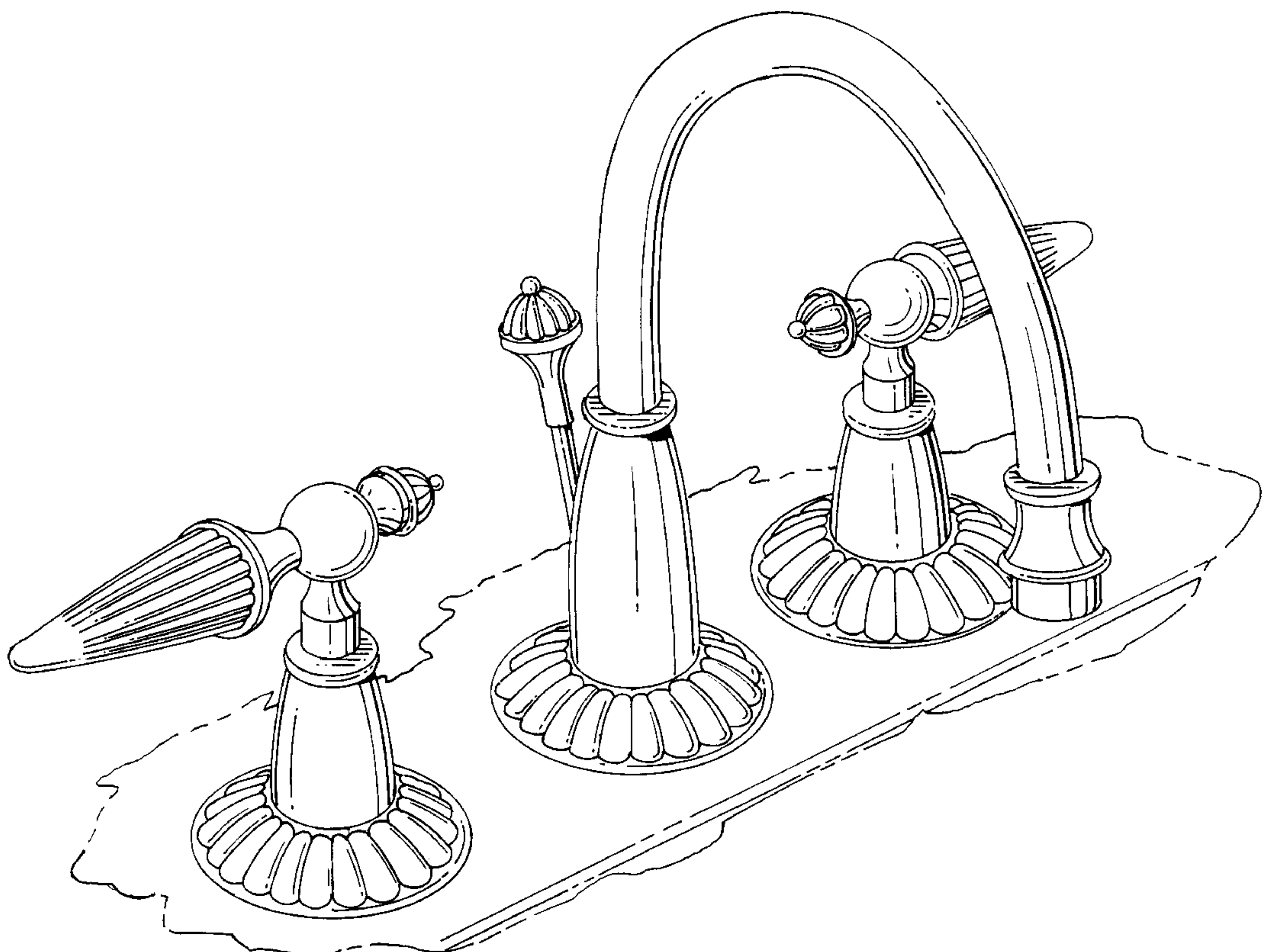
(57) **CLAIM**

The ornamental design for dual handle faucet, as shown.

**DESCRIPTION**

FIG. 1 is a perspective view of a dual handle faucet of the present invention;  
FIG. 2 is a left side view of the spout of the dual handle faucet shown in FIG. 1;  
FIG. 3 is a front elevational view of the spout shown in FIG. 2;  
FIG. 4 is a rear view of the spout shown in FIG. 2;  
FIG. 5 is a top view of the spout shown in FIG. 2;  
FIG. 6 is a bottom view of the spout shown in FIG. 2;  
FIG. 7 is a top view of one representative valve handle of the two valve handles shown in FIG. 1;  
FIG. 8 is an elevational view of the valve handle shown in FIG. 7;  
FIG. 9 is a left side view of the valve handle shown in FIG. 7;  
FIG. 10 is a right side view of the valve handle shown in FIG. 7; and,  
FIG. 11 is a bottom view of the valve handle shown in FIG. 7.

**1 Claim, 4 Drawing Sheets**



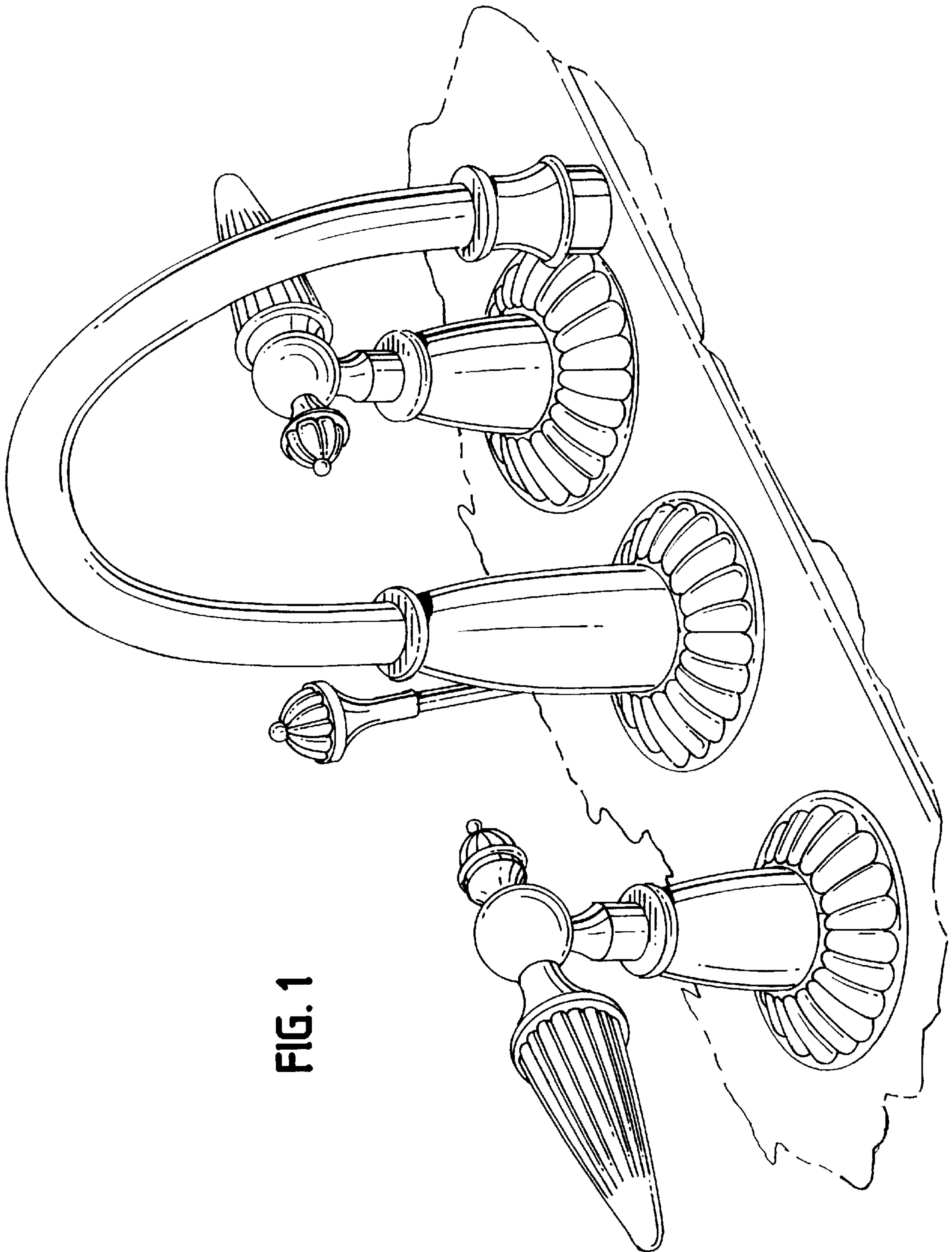


FIG. 1

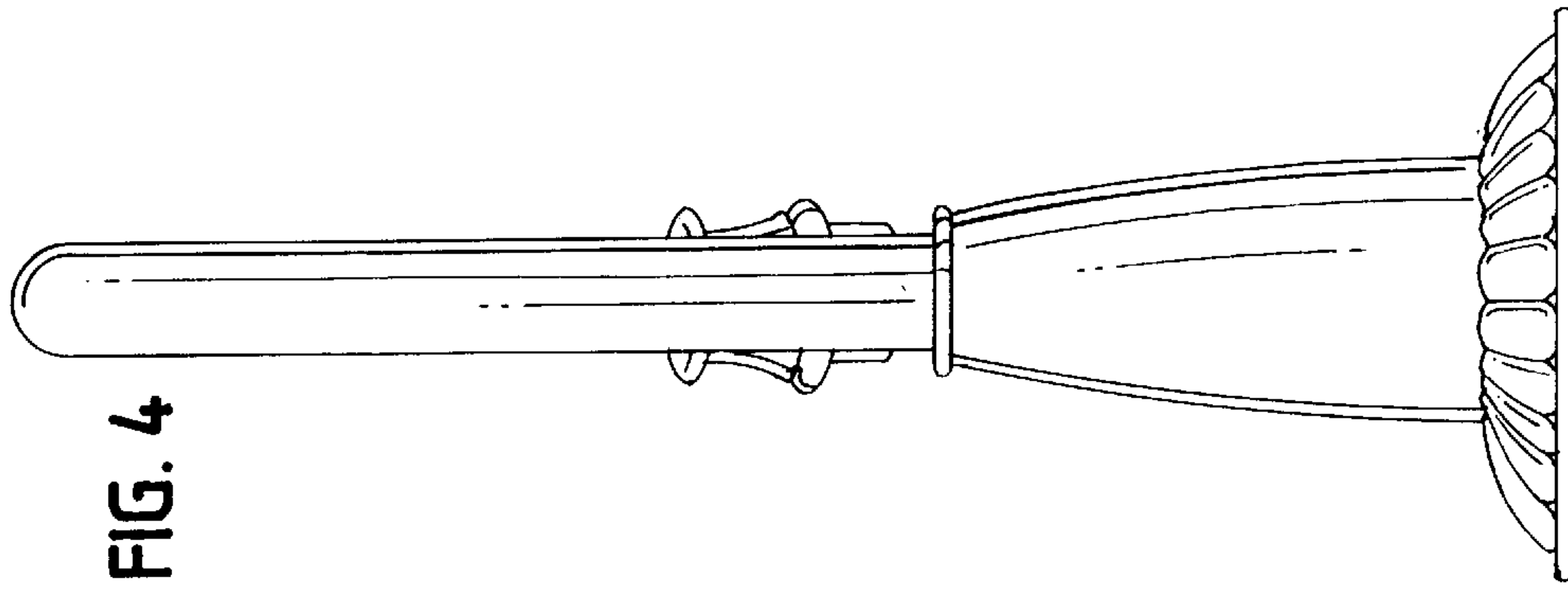


FIG. 4

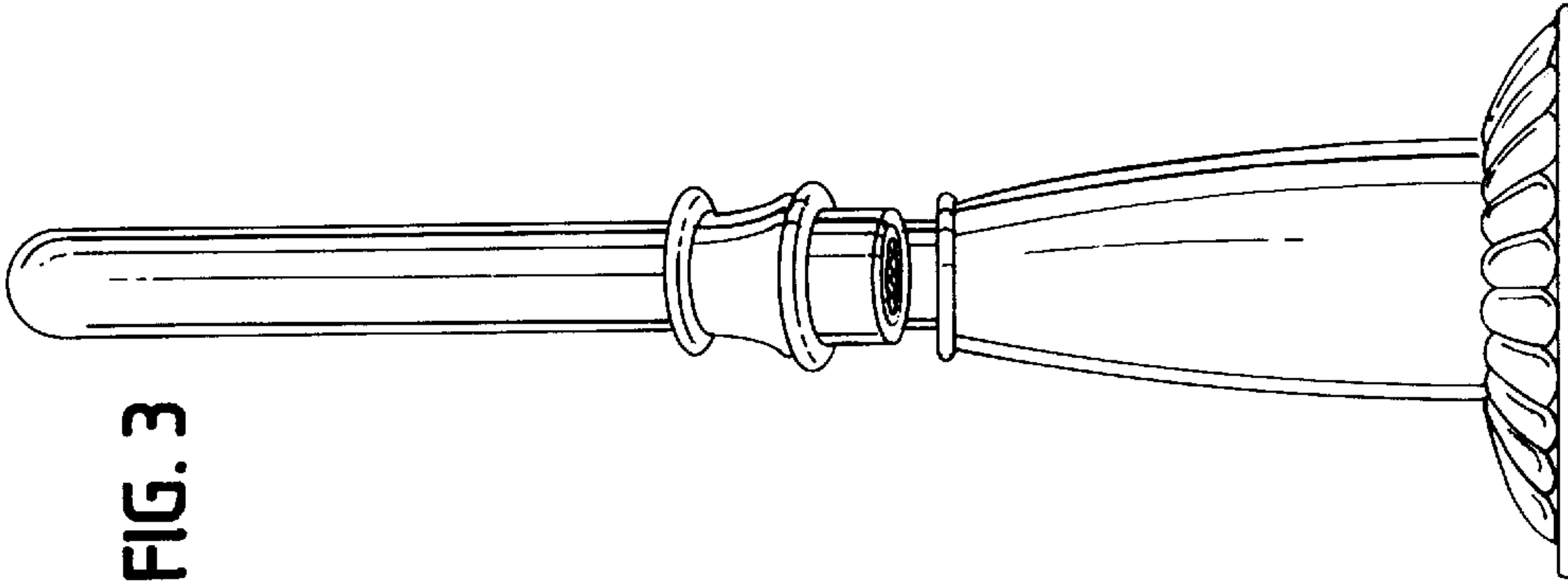


FIG. 3

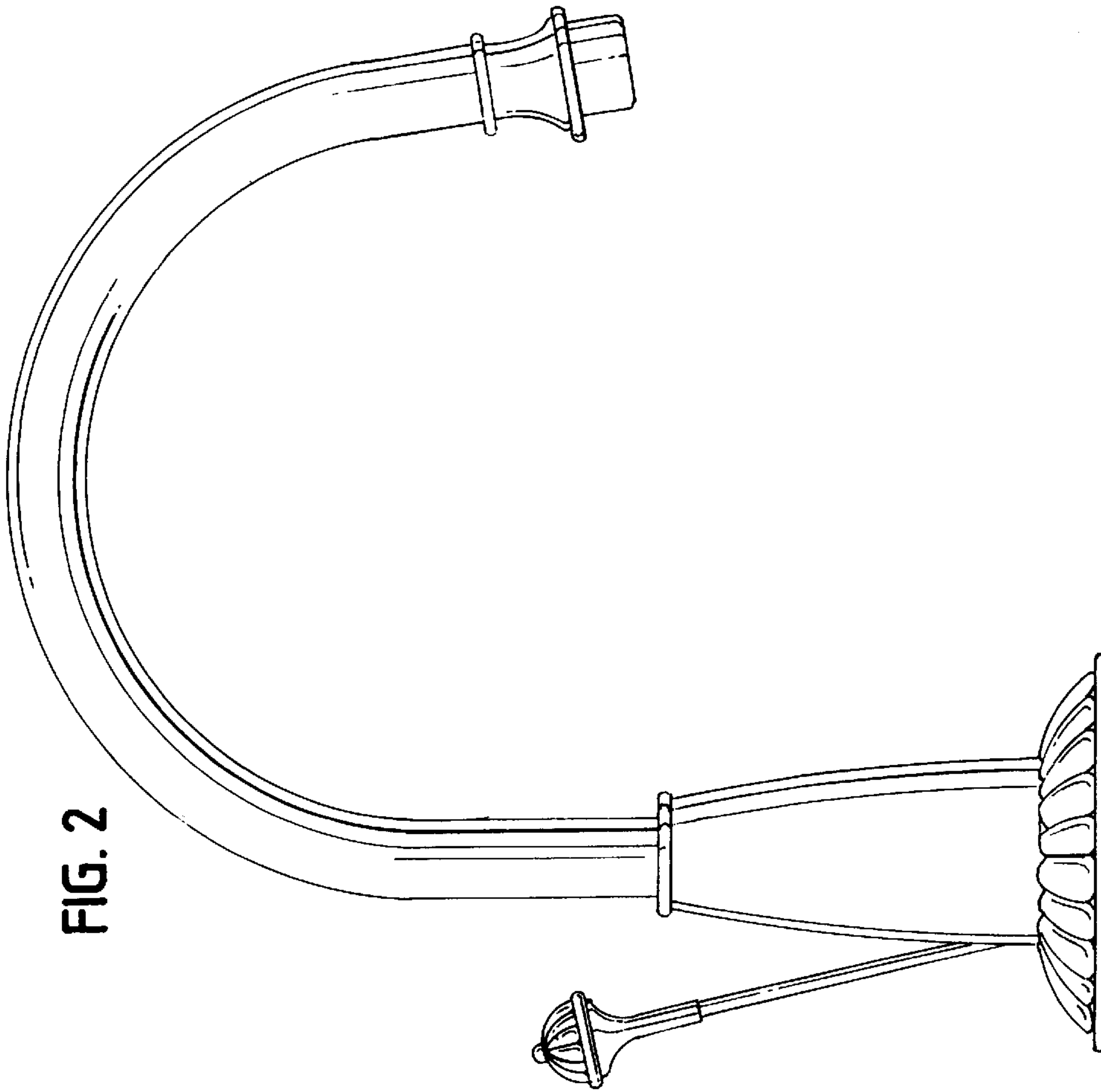


FIG. 2

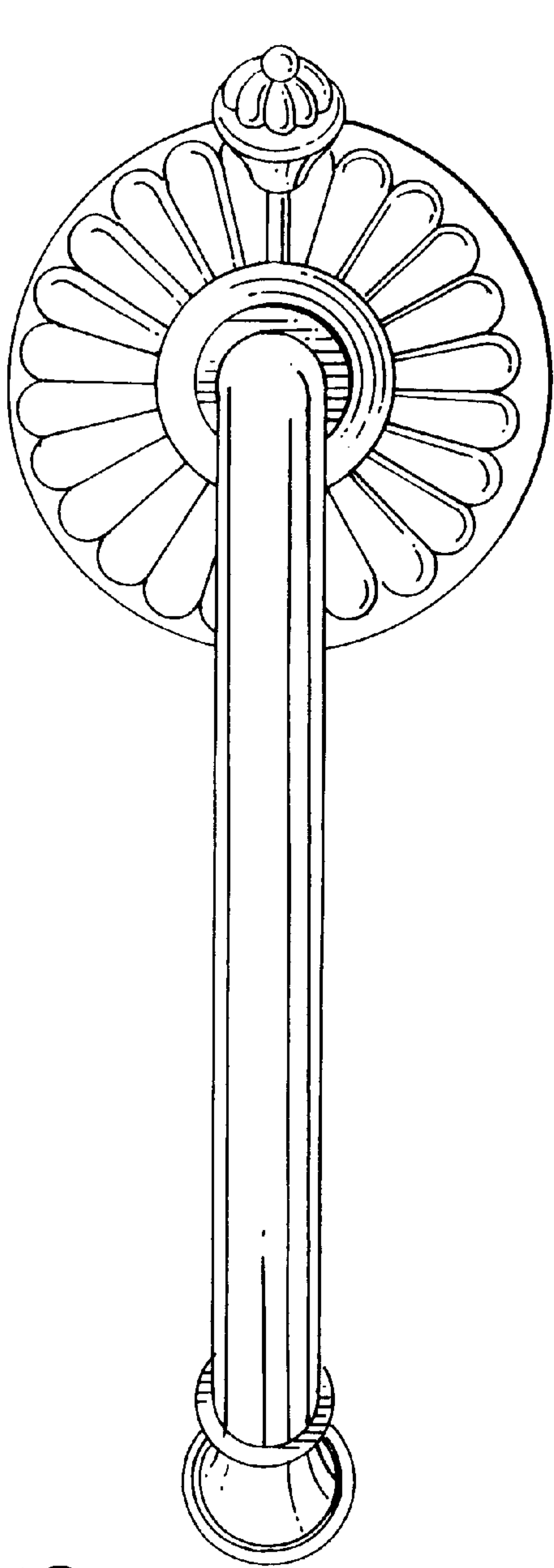


FIG. 5

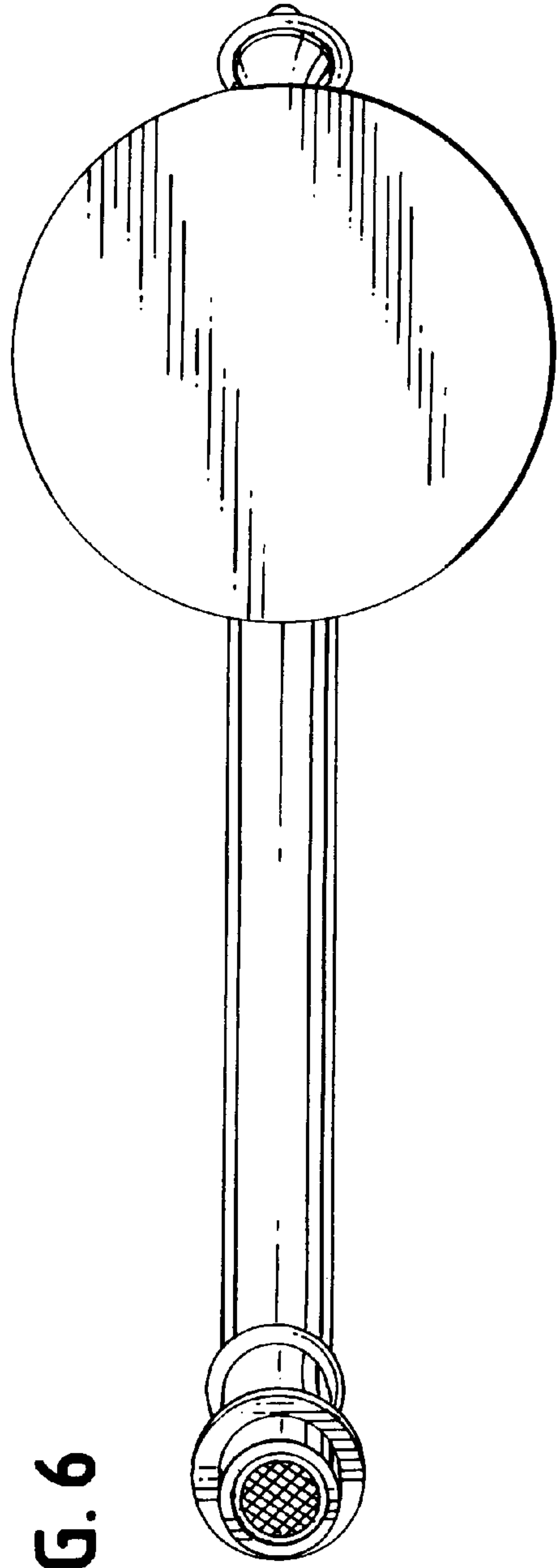


FIG. 6



FIG. 7

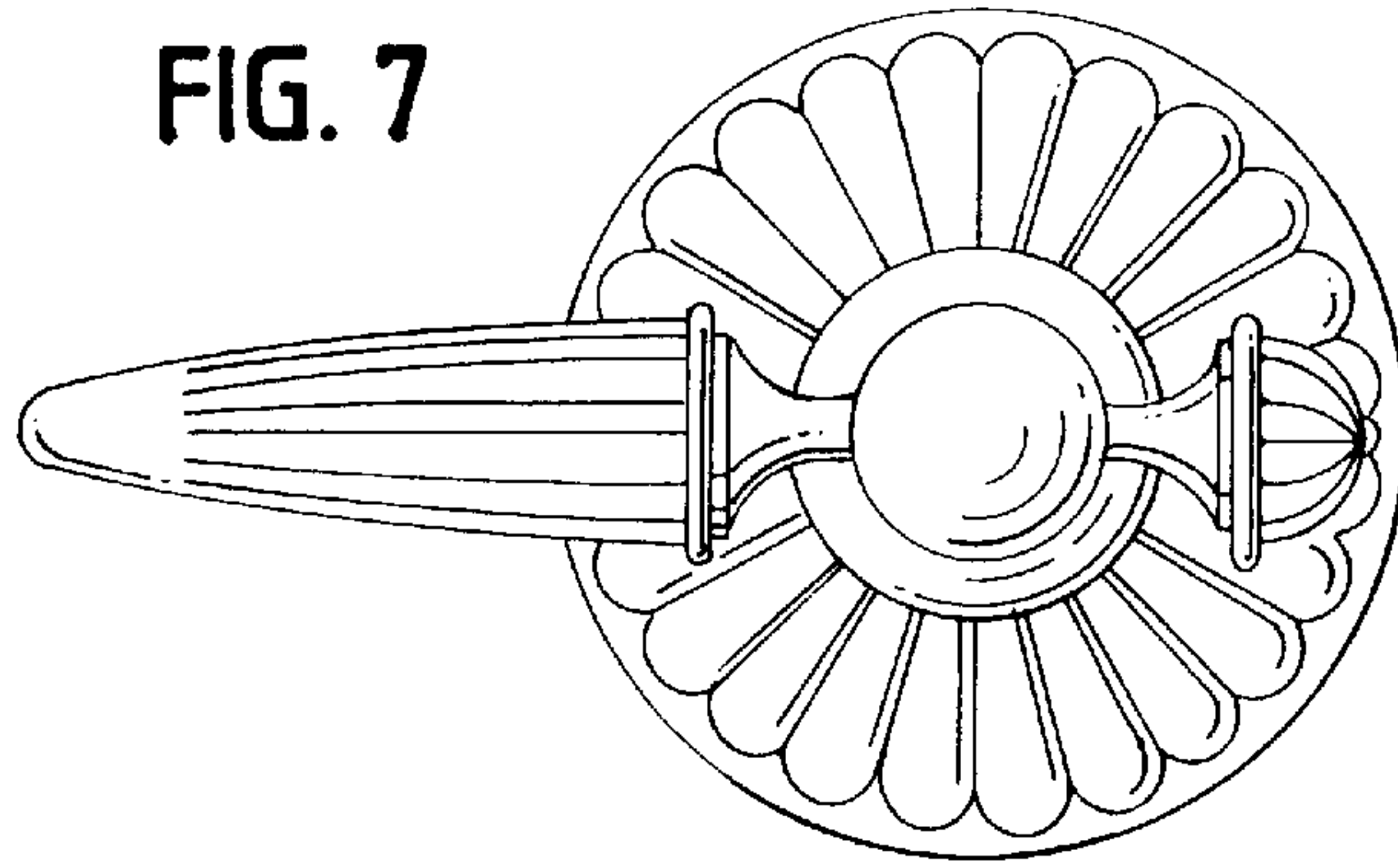


FIG. 8

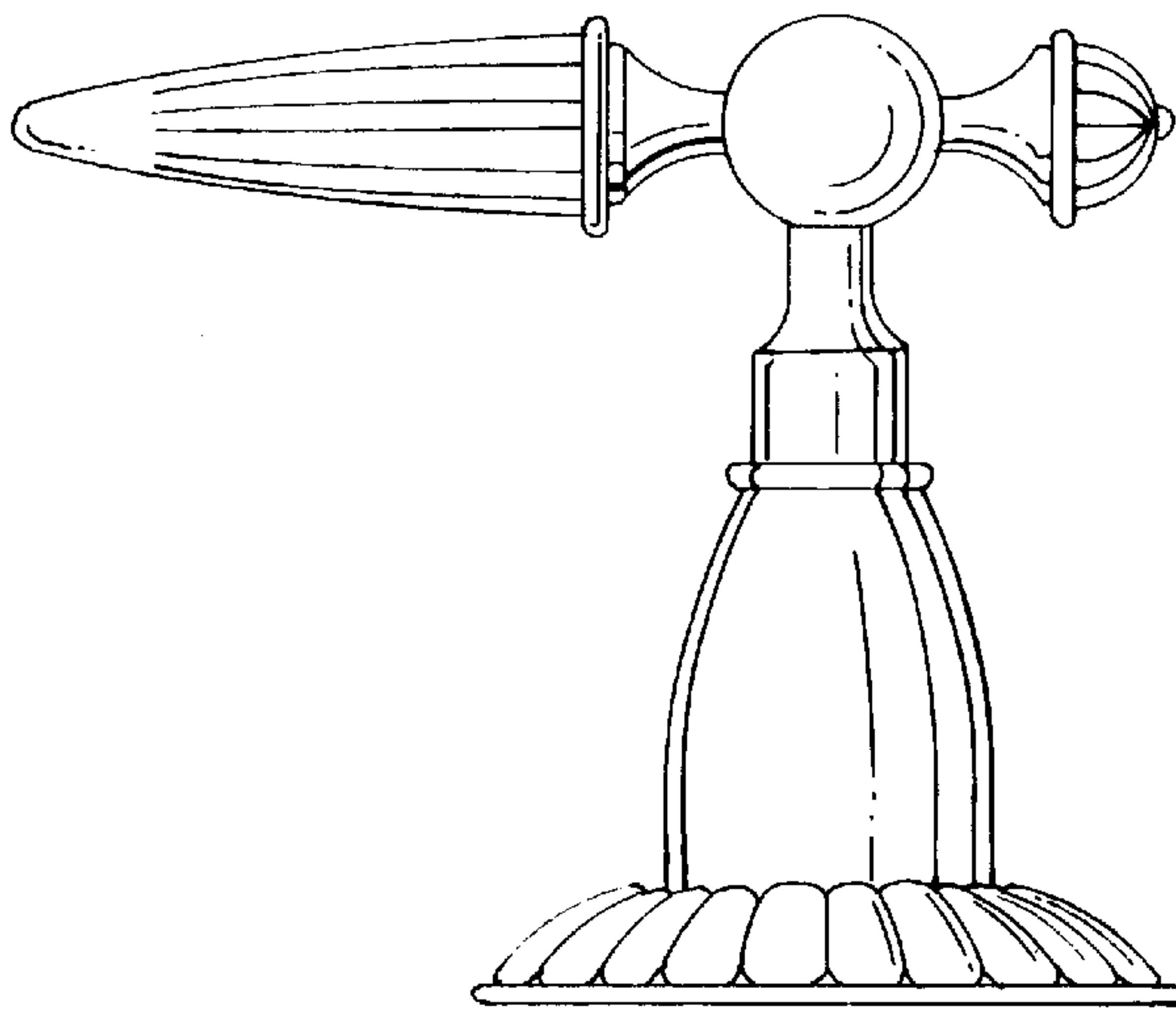


FIG. 9

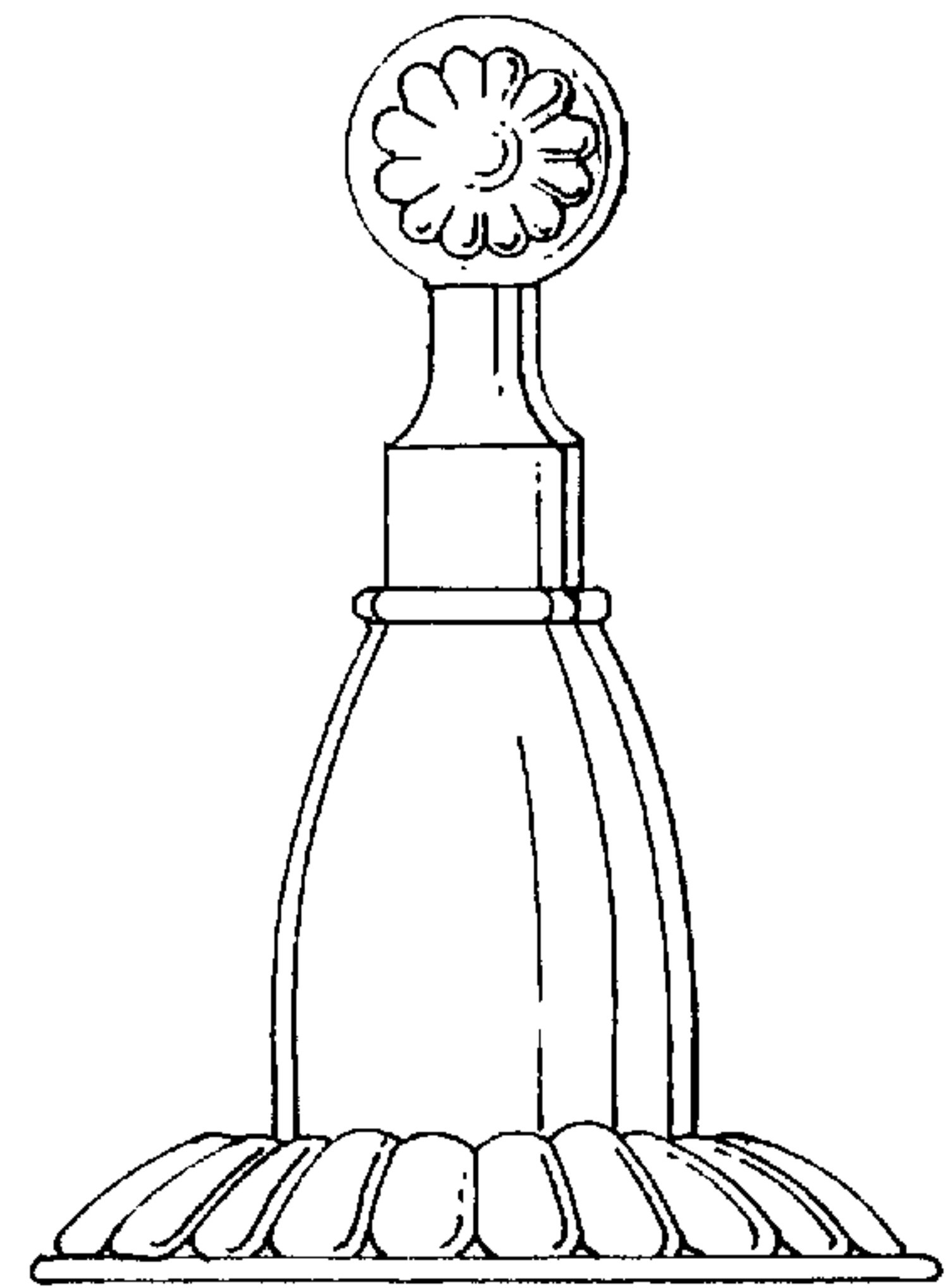


FIG. 10

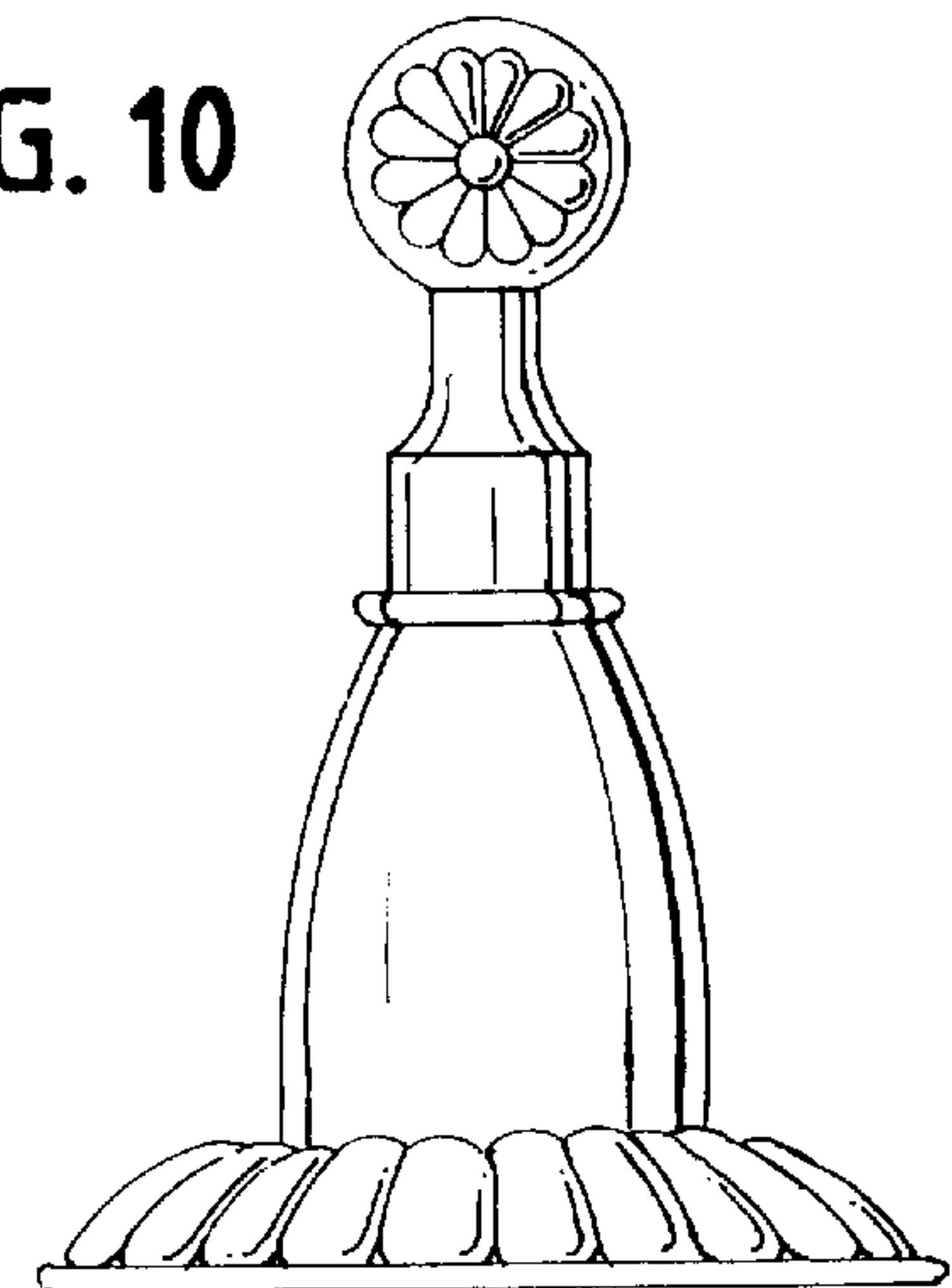


FIG. 11

