



US00D437627S

(12) **United States Design Patent**
McLaren et al.

(10) **Patent No.:** **US D437,627 S**

(45) **Date of Patent:** **** Feb. 13, 2001**

(54) **GUN LOCK**

(76) Inventors: **Robert R. McLaren**, 24850 Hancock Ave. #I-205, Murrieta, CA (US) 92562-4135; **Karl F. Hoffbauer**, 3432 Casablanca Way, Fallbrook, CA (US) 92028

(**) Term: **14 Years**

(21) Appl. No.: **29/122,537**

(22) Filed: **Apr. 27, 2000**

(51) **LOC (7) Cl.** **22-01**

(52) **U.S. Cl.** **D22/108; D22/100; D22/199**

(58) **Field of Search** **D22/100, 108, D22/199; 42/70.01, 70.11; 70/34, 492**

(56) **References Cited**

U.S. PATENT DOCUMENTS

D. 382,036	*	8/1997	Haber et al.	D22/108
1,805,891	*	5/1931	Shin	70/492
1,979,939	*	11/1934	Jacobi	70/492
1,990,933	*	2/1935	Falk	70/492
4,052,870	*	10/1977	Degeye et al.	70/492
5,970,762	*	10/1999	Myers	70/492

* cited by examiner

Primary Examiner—Louis S. Zarfaz
Assistant Examiner—Monica A. Weingart
(74) *Attorney, Agent, or Firm*—Calif Tervo

(57) **CLAIM**

The ornamental design for a gun lock, as shown and described.

DESCRIPTION

FIG. 1 is a perspective view of a gun lock showing my new design;
FIG. 2 is a top plan view thereof; it being understood that the broken lines are for illustrative purposes only and form no part of the claimed design;
FIG. 3 is a right side elevation view thereof; the left side being a mirror image; it being understood that the broken lines are for illustrative purposes only and form no part of the claimed design;
FIG. 4 is a bottom plan view thereof; it being understood that the broken lines are for illustrative purposes only and form no part of the claimed design;
FIG. 5 is a front elevation view thereof; and,
FIG. 6 is a rear elevation view thereof it being understood that the broken lines are for illustrative purposes only and form no part of the claimed design.

1 Claim, 1 Drawing Sheet

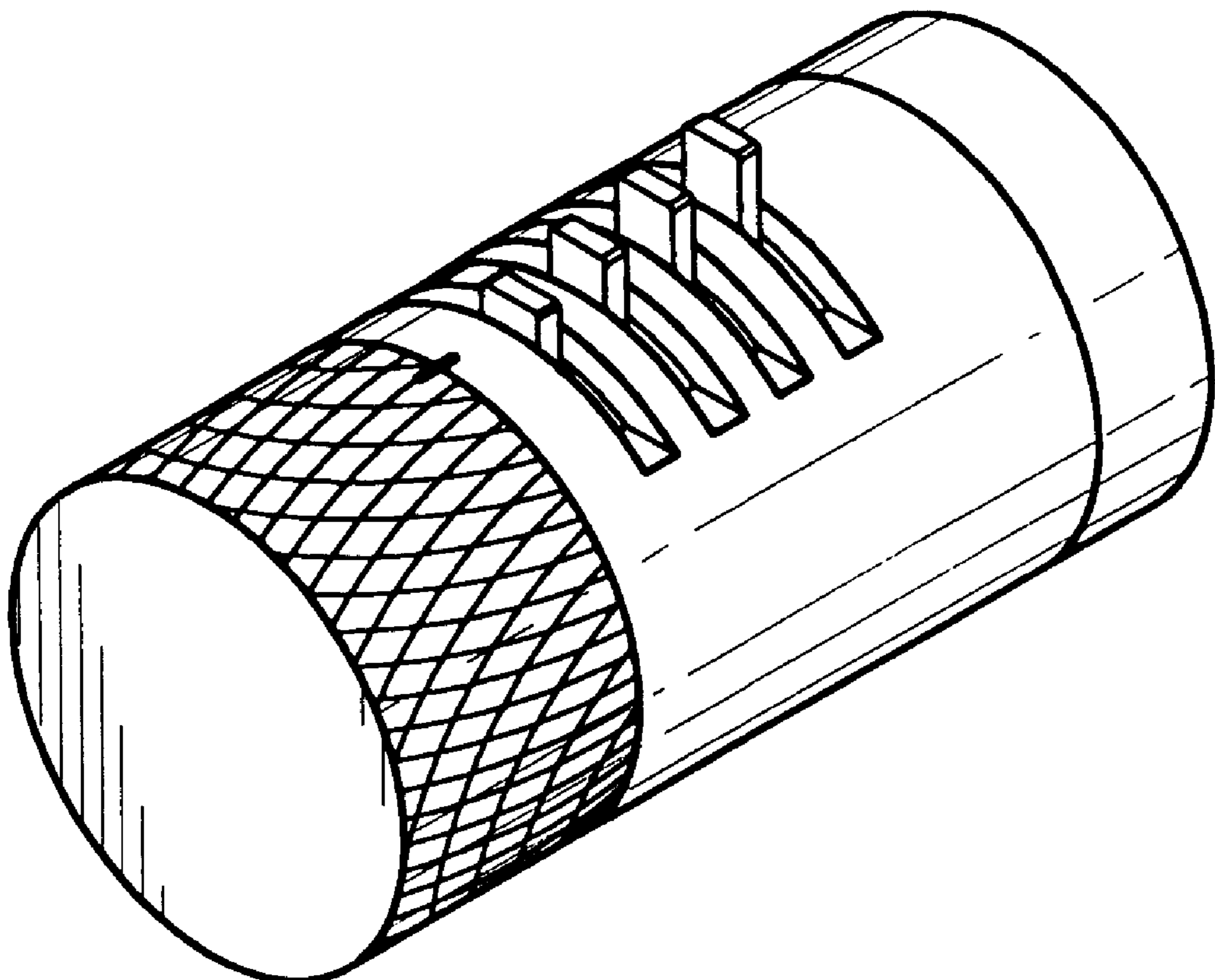


FIG. 1

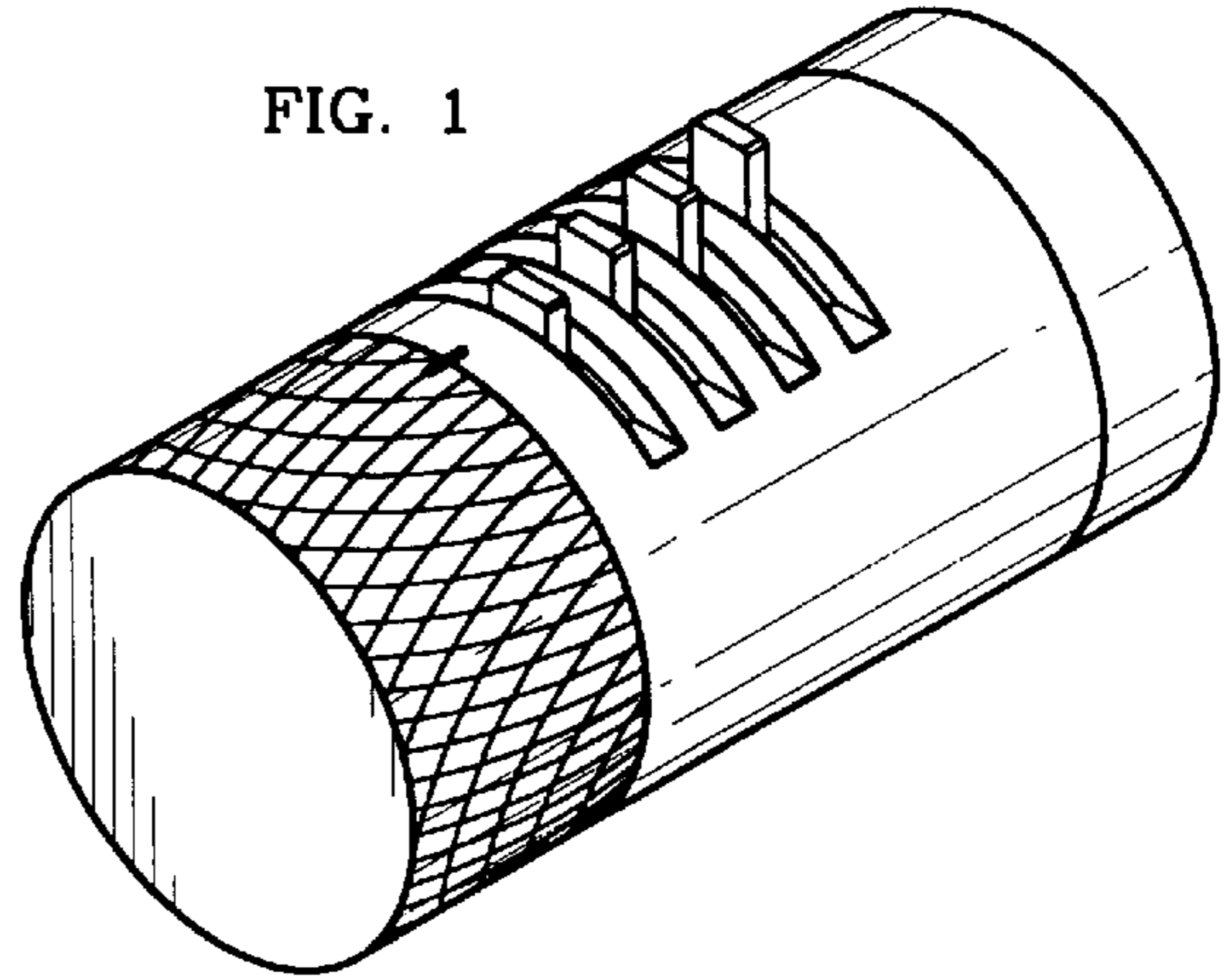


FIG. 2

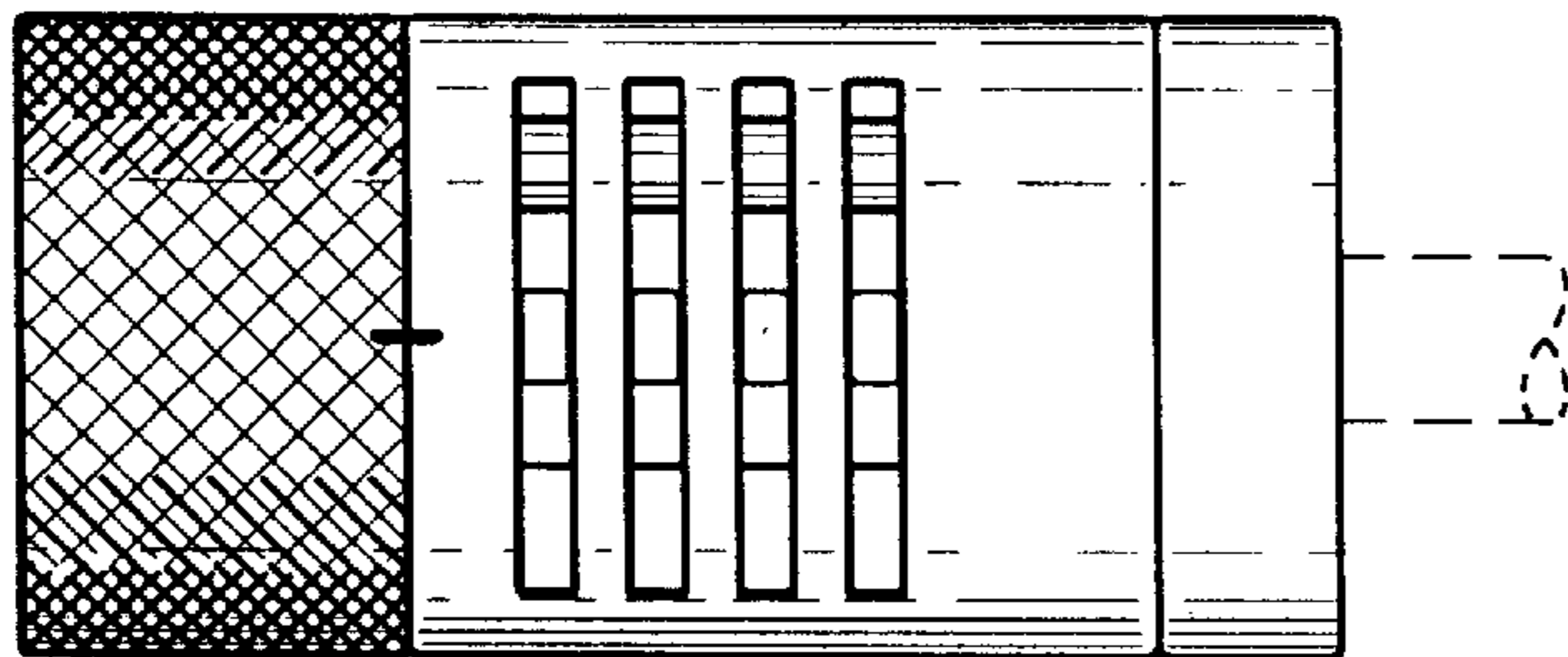


FIG. 3

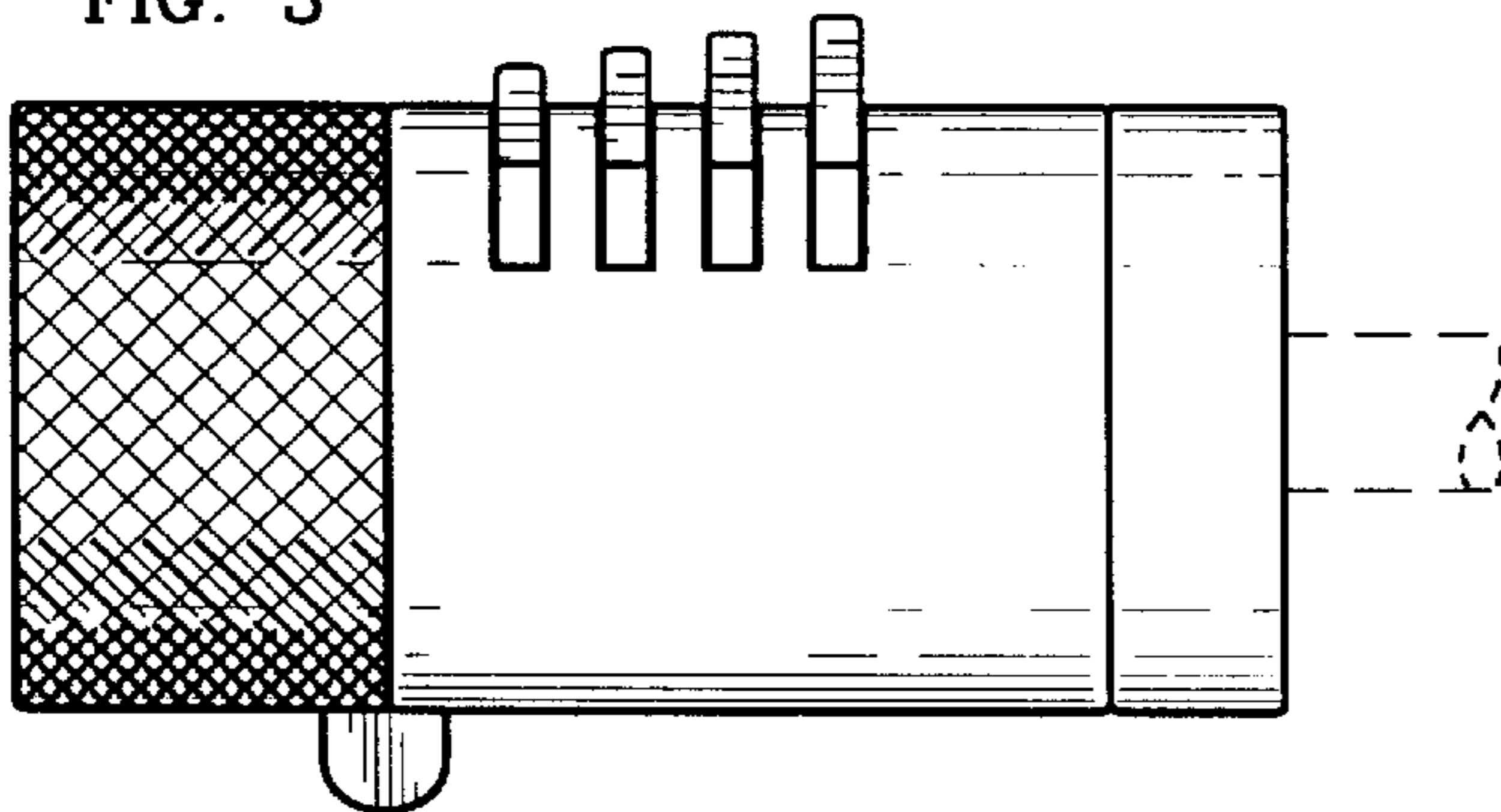


FIG. 5

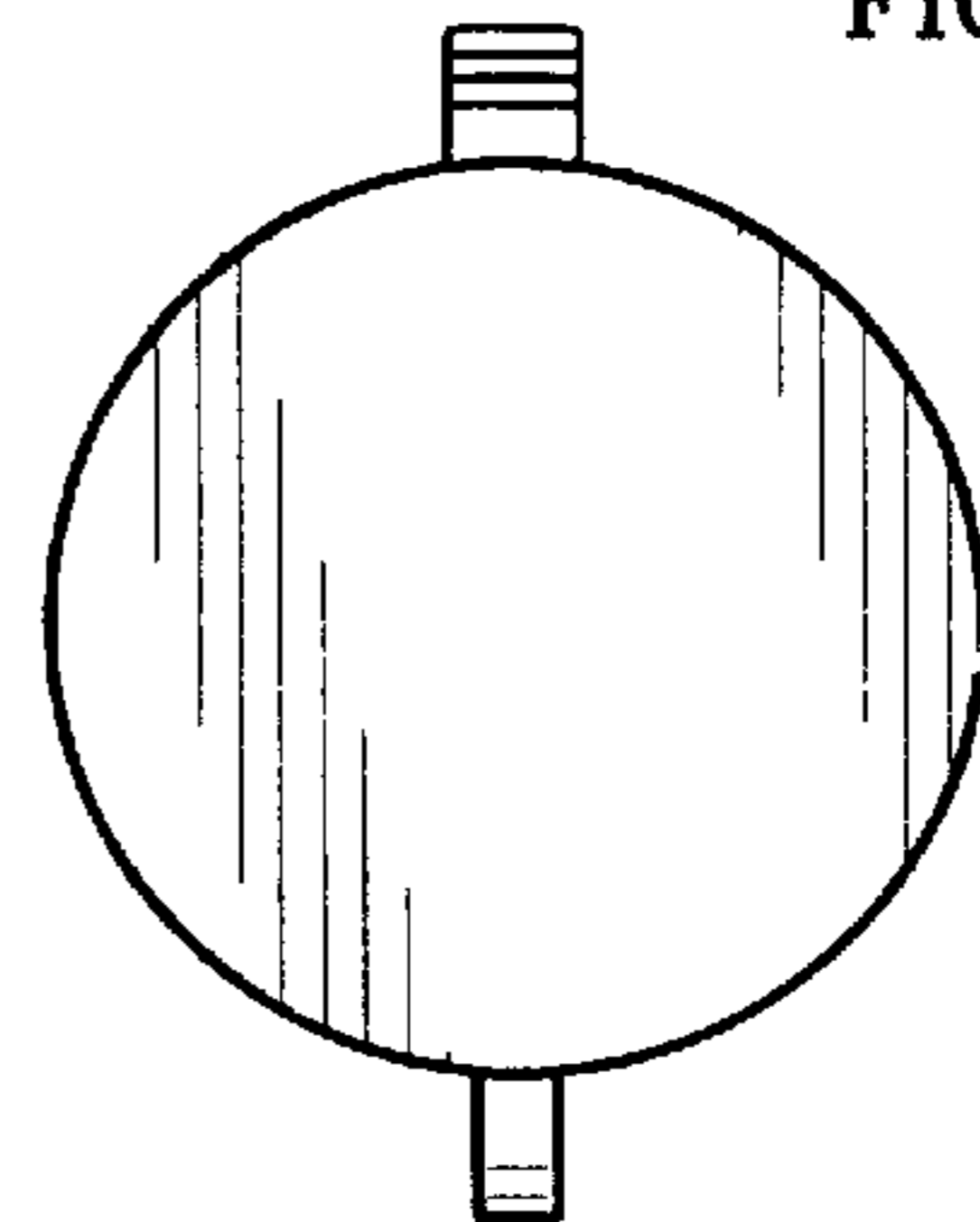


FIG. 4

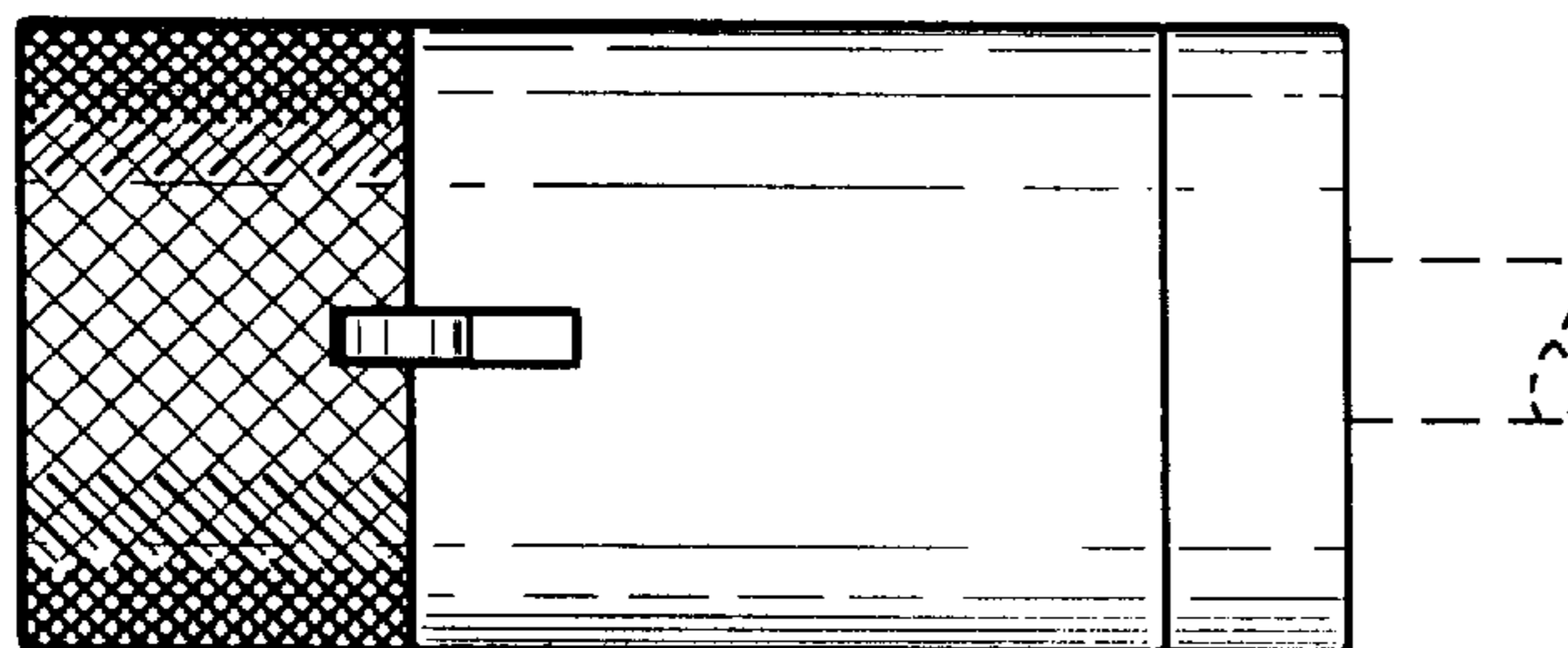


FIG. 6

