



US00D437625S

(12) **United States Design Patent**  
**Turner**

(10) **Patent No.:** **US D437,625 S**

(45) **Date of Patent:** **\*\* Feb. 13, 2001**

(54) **GOLF CLUB HEAD**

(75) Inventor: **Scott A. Turner**, Clearwater, FL (US)

(73) Assignee: **Better Golf Unlimited, Inc.**, Oldsmar, FL (US)

(\*\*) Term: **14 Years**

(21) Appl. No.: **29/121,659**

(22) Filed: **Apr. 10, 2000**

(51) **LOC (7) Cl.** ..... **21-02**

(52) **U.S. Cl.** ..... **D21/749**

(58) **Field of Search** ..... D21/747-751;  
473/350, 324, 327-331

(56) **References Cited**

**U.S. PATENT DOCUMENTS**

D. 329,266	*	9/1992	Antonious	.....	D21/749
D. 329,904	*	9/1992	Gorman	.....	D21/749
D. 371,182	*	6/1996	Stites	.....	D21/749
D. 429,511	*	8/2000	Adams et al.	.....	D21/747
5,333,871	*	8/1994	Wishon	.....	473/350

\* cited by examiner

*Primary Examiner*—Mitchell Siegel  
(74) *Attorney, Agent, or Firm*—Larson & Larson, PA;  
James E. Larson

(57) **CLAIM**

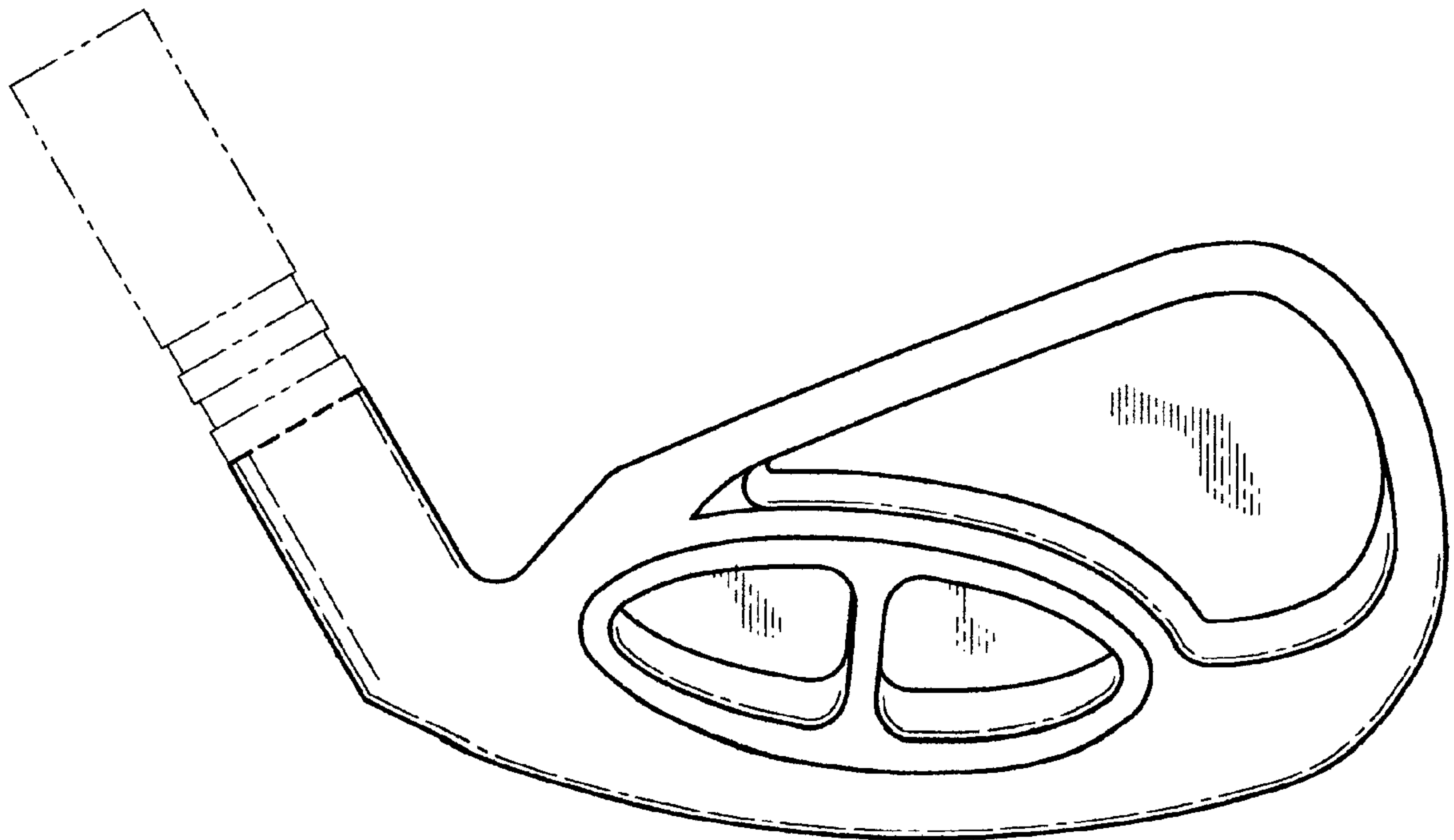
The ornamental design for a golf club head, as shown and described.

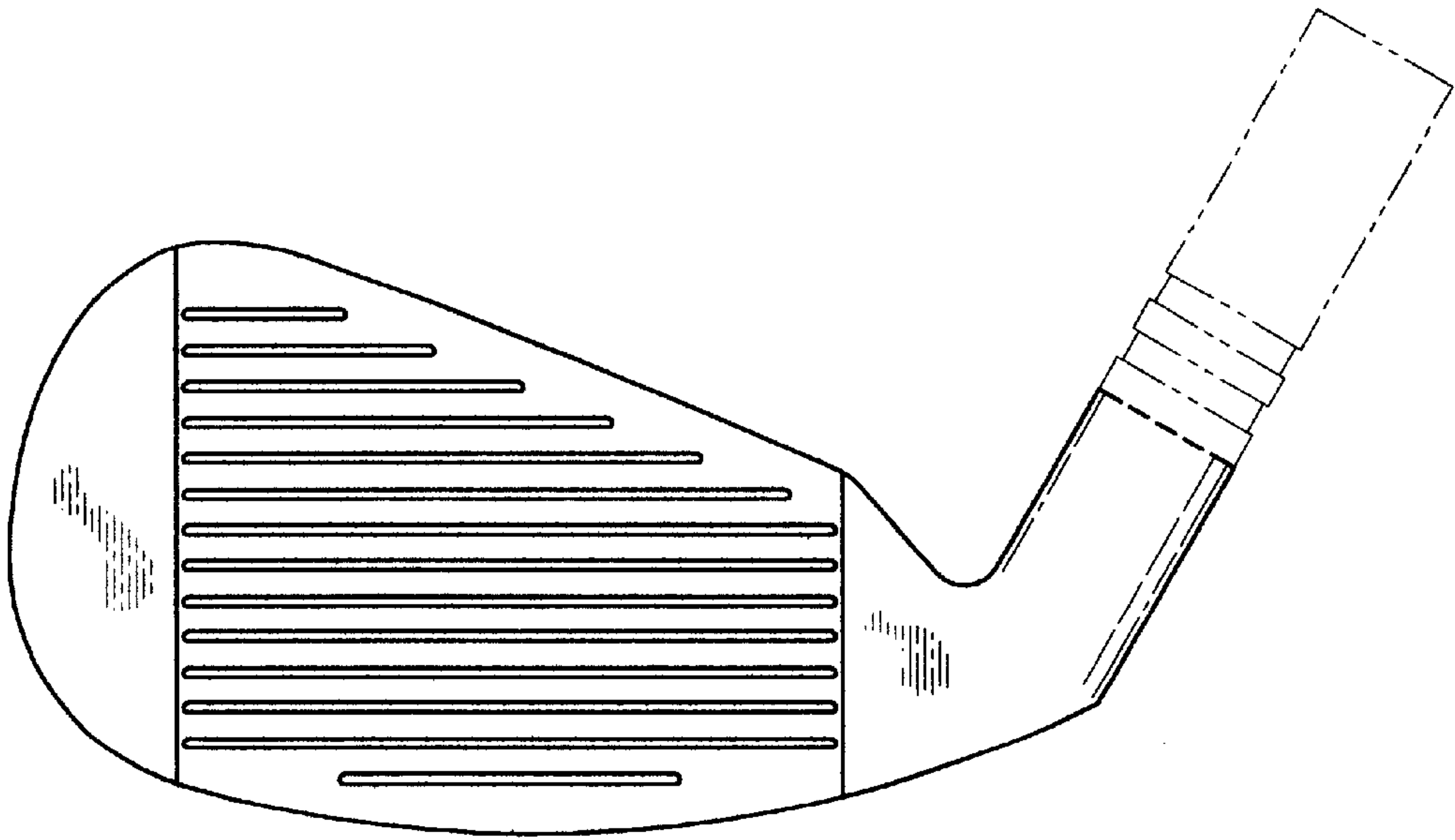
**DESCRIPTION**

FIG. 1 is a front elevational view of a golf club head showing my novel design;  
FIG. 2 is a rear elevational view thereof;  
FIG. 3 is a left side view thereof;  
FIG. 4 is a right side view thereof;  
FIG. 5 is a top plan view thereof;  
FIG. 6 is a bottom plan view thereof; and,  
FIG. 7 is a rear elevational view showing an alternate embodiment.

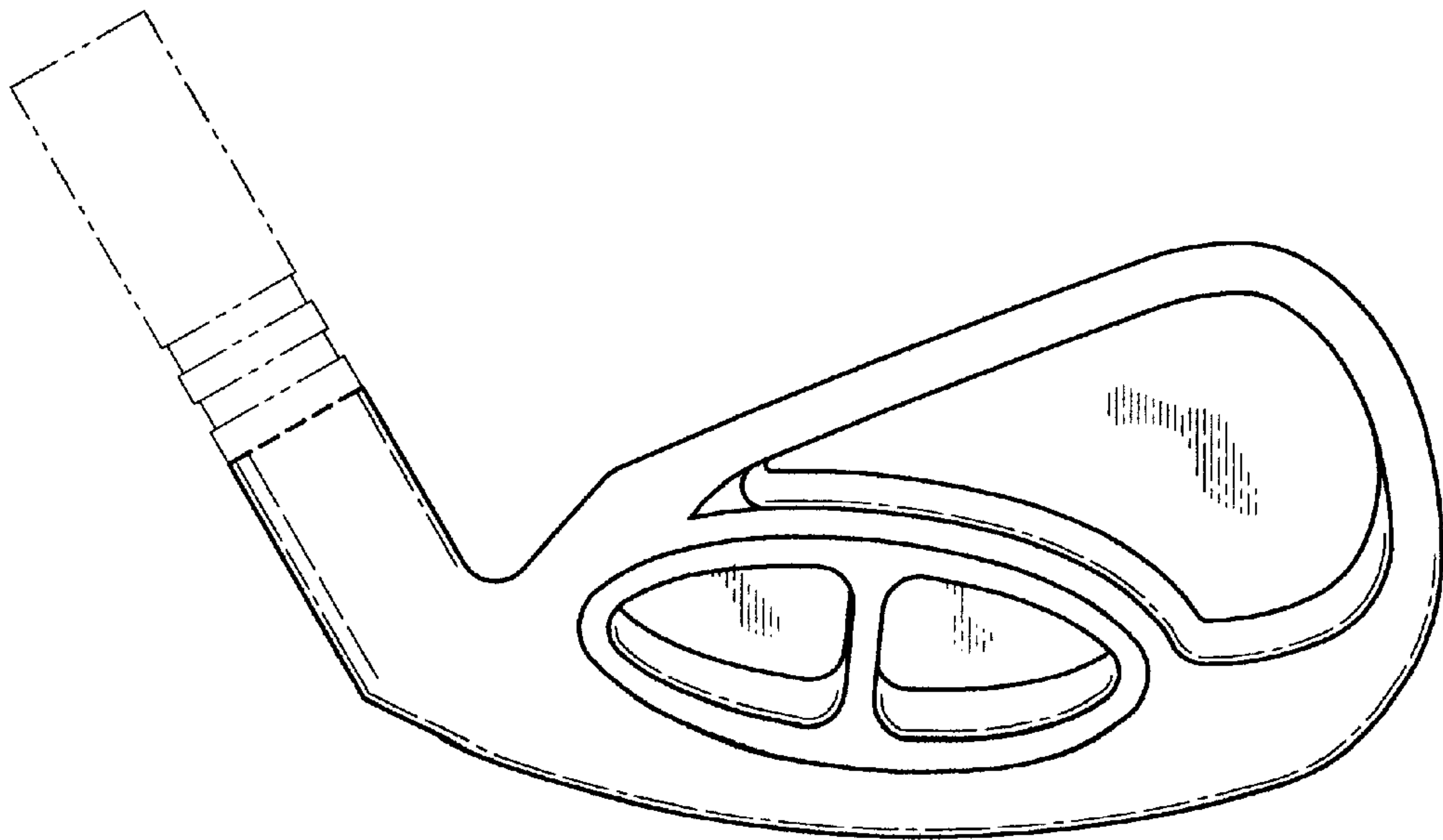
The undisclosed sides of the second embodiment are identical to those shown in the first embodiment.  
The broken lines shown in each of the FIGS. is for illustrative purposes only and forms no part of the overall claimed design.

**1 Claim, 4 Drawing Sheets**

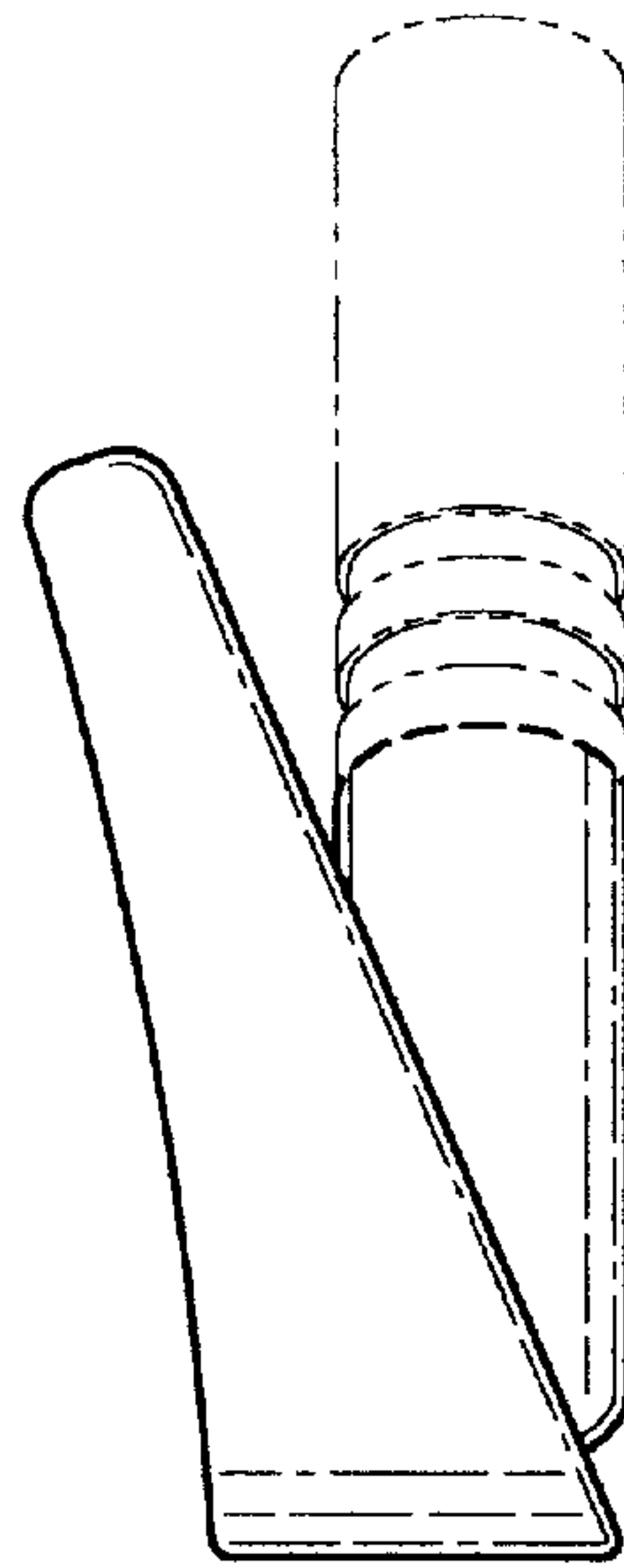




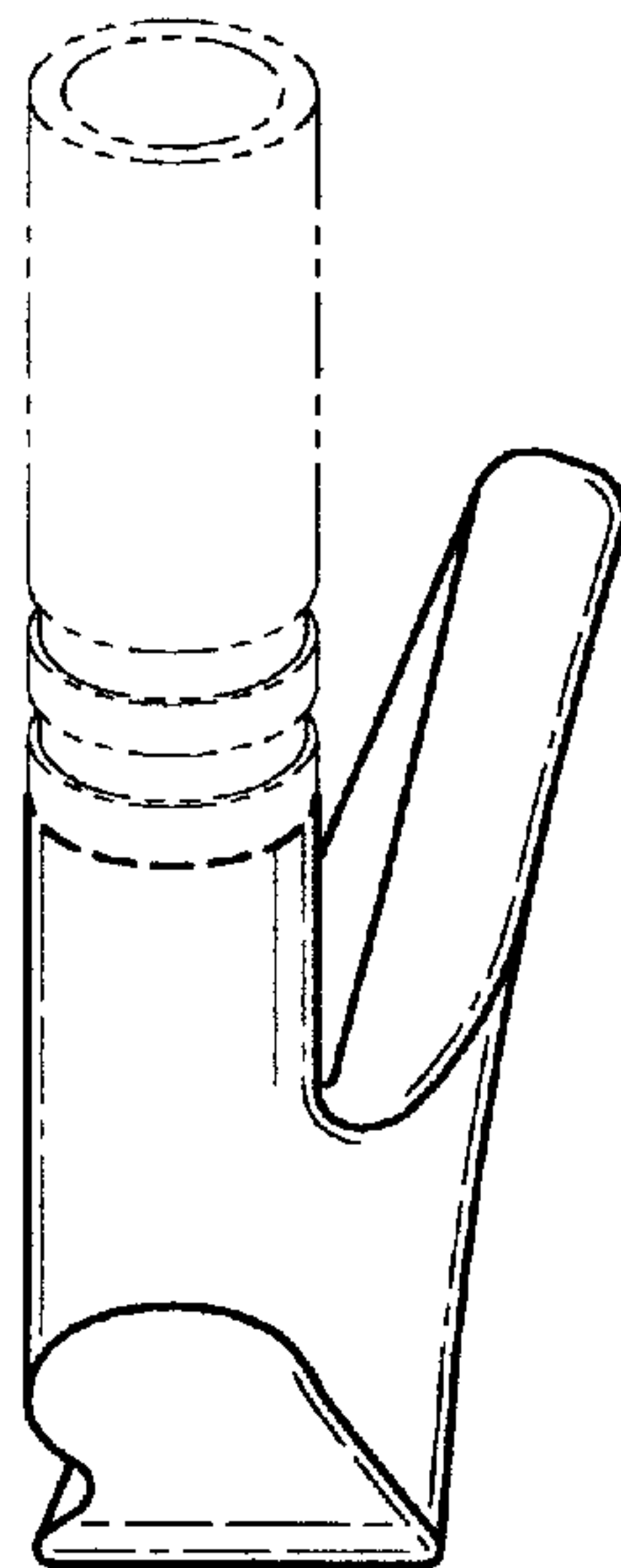
*Fig. 1*



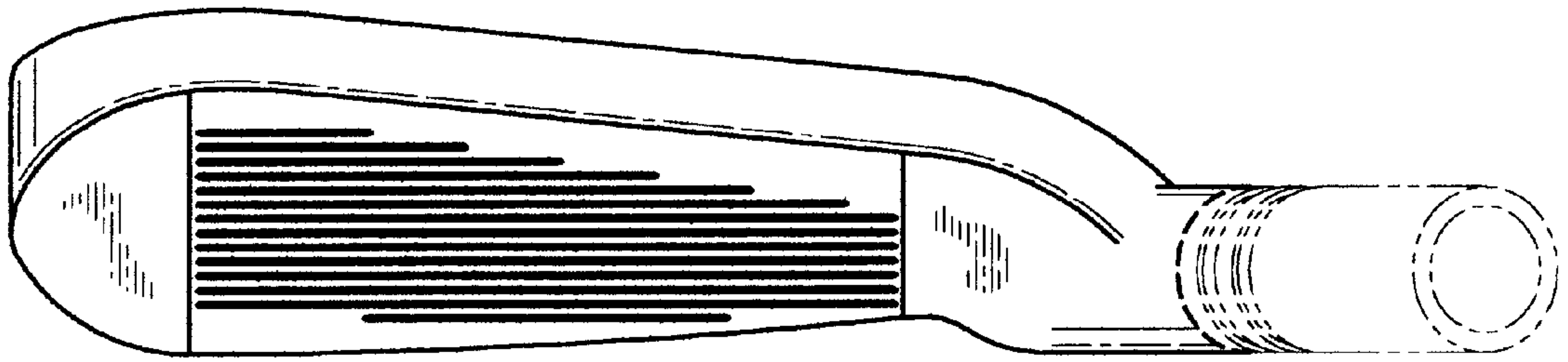
*Fig. 2*



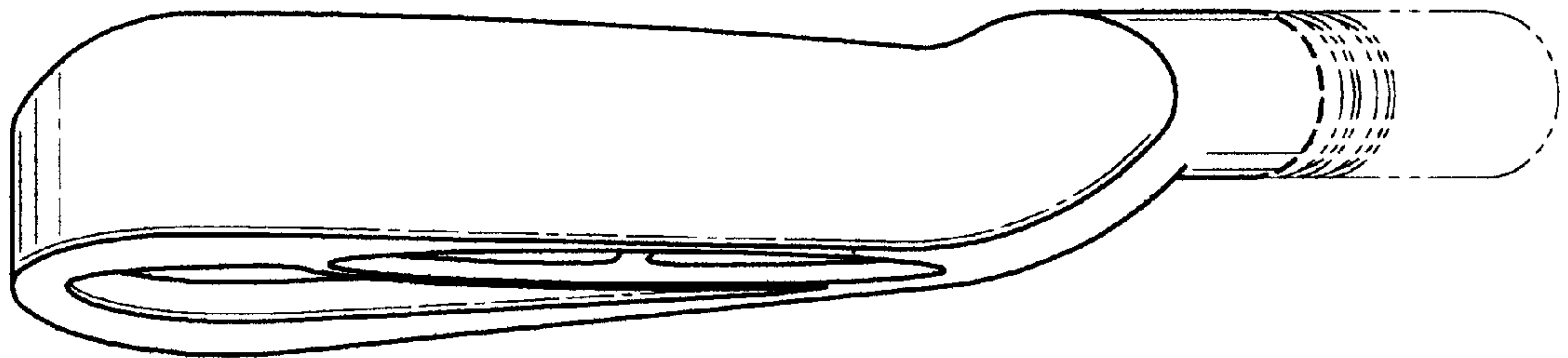
*Fig. 3*



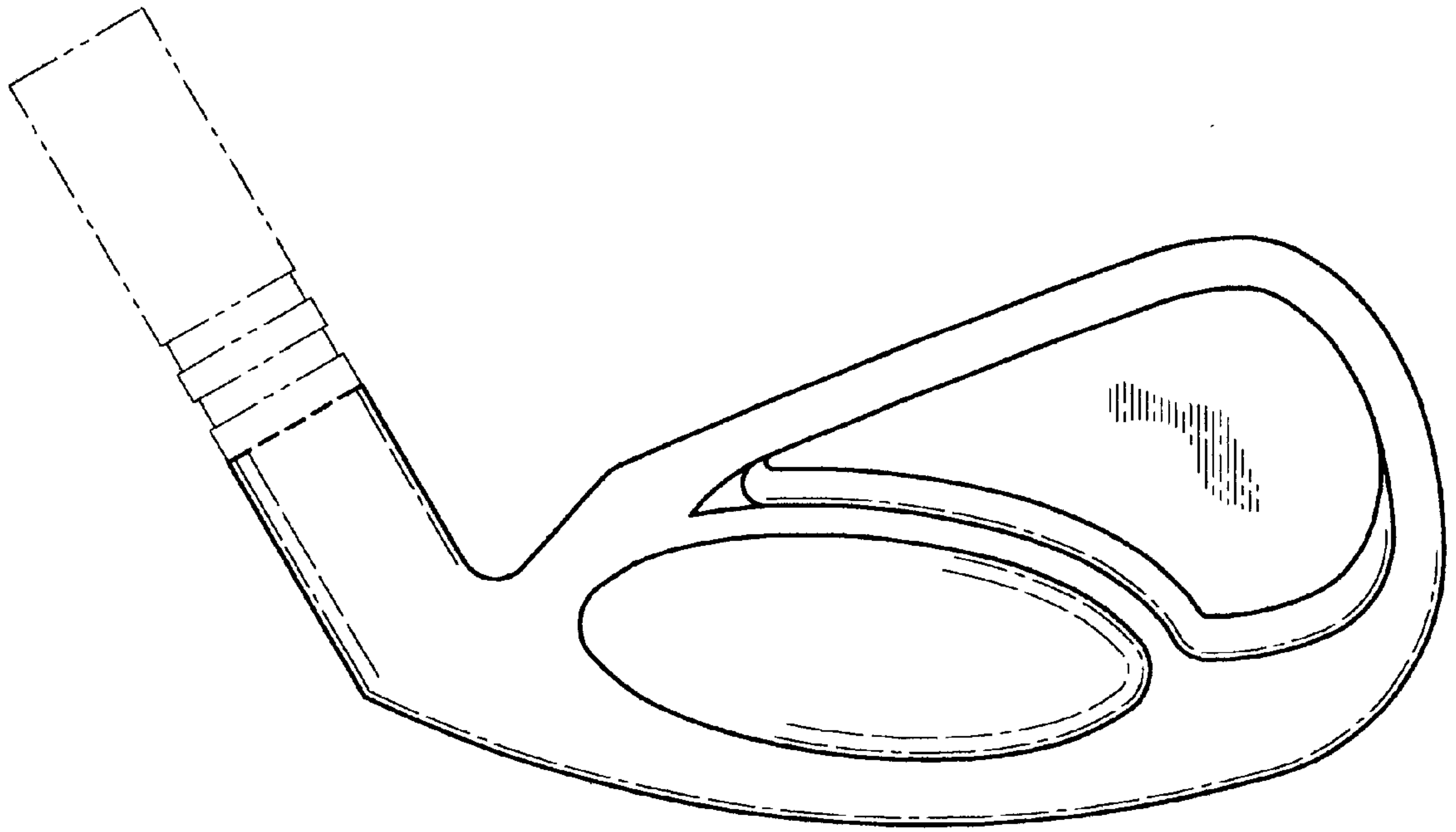
*Fig. 4*



*Fig. 5*



*Fig. 6*



*Fig. 7*