



US00D437621S

(12) **United States Design Patent**  
**Chen**

(10) **Patent No.:** **US D437,621 S**

(45) **Date of Patent:** **\*\* Feb. 13, 2001**

(54) **SCOOTER FRAME**

(75) Inventor: **Ting-Hsing Chen**, Tainan Hsien (TW)

(73) Assignee: **Far Great Plastics Industrial Co. Ltd.**, Tainan Hsien (TW)

(\*\*) Term: **14 Years**

(21) Appl. No.: **29/125,637**

(22) Filed: **Jun. 28, 2000**

(51) **LOC (7) Cl.** ..... **21-01**

(52) **U.S. Cl.** ..... **D21/423**

(58) **Field of Search** ..... D21/419, 421,  
D21/423, 424, 426, 435, 533, 760, 765,  
771; D12/107, 110-112, 114, 115, 117,  
118; 280/62, 271, 282, 87.021, 87.041,  
87.042; 180/181, 216

(56) **References Cited**

**U.S. PATENT DOCUMENTS**

- D. 30,734 \* 5/1899 Fechtel ..... D12/117
- D. 149,730 \* 5/1948 Bancroft ..... D21/423
- D. 224,254 \* 7/1972 Hill ..... D12/112
- D. 345,948 \* 4/1994 Chen ..... D12/112

- D. 392,001 \* 3/1998 Chen ..... D21/423
- D. 414,220 \* 9/1999 Catto ..... D21/423
- D. 430,071 \* 8/2000 Hudnall ..... D12/112
- 4,394,029 \* 7/1983 Holmgren ..... 280/271
- 4,799,701 \* 1/1989 Lindau ..... 280/87.041
- 5,954,349 \* 9/1999 Rutzel ..... 280/87.041

\* cited by examiner

*Primary Examiner*—Raphael Barkai

(74) *Attorney, Agent, or Firm*—Rosenberg, Klein & Lee

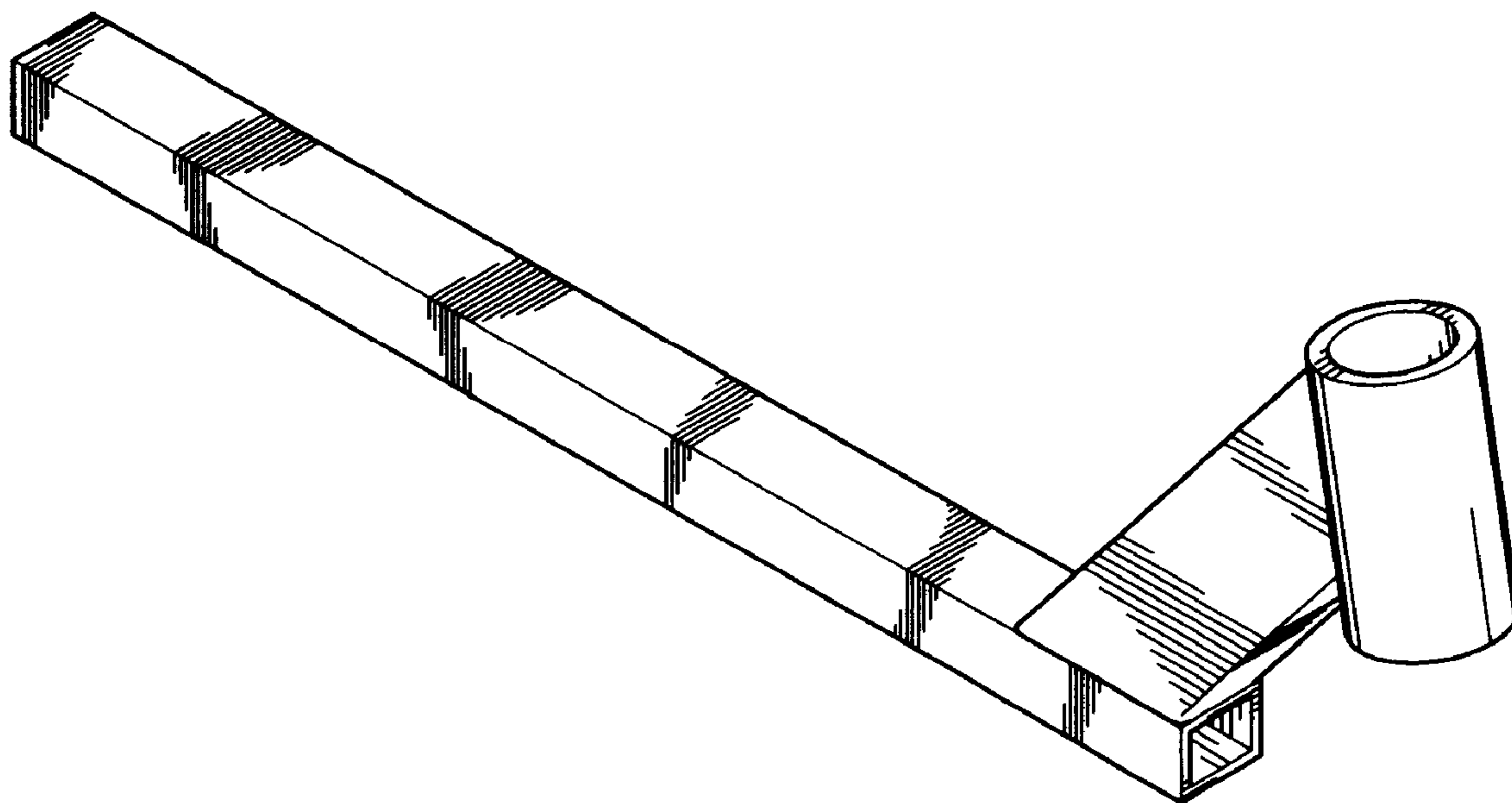
(57) **CLAIM**

The ornamental design for scooter frame, as shown and described.

**DESCRIPTION**

FIG. 1 is a perspective view of scooter frame showing my present design;  
 FIG. 2 is a front view thereof;  
 FIG. 3 is a rear view thereof;  
 FIG. 4 is a left view thereof;  
 FIG. 5 is a right view thereof;  
 FIG. 6 is a top plan view thereof; and,  
 FIG. 7 is a bottom plan view.

**1 Claim, 4 Drawing Sheets**



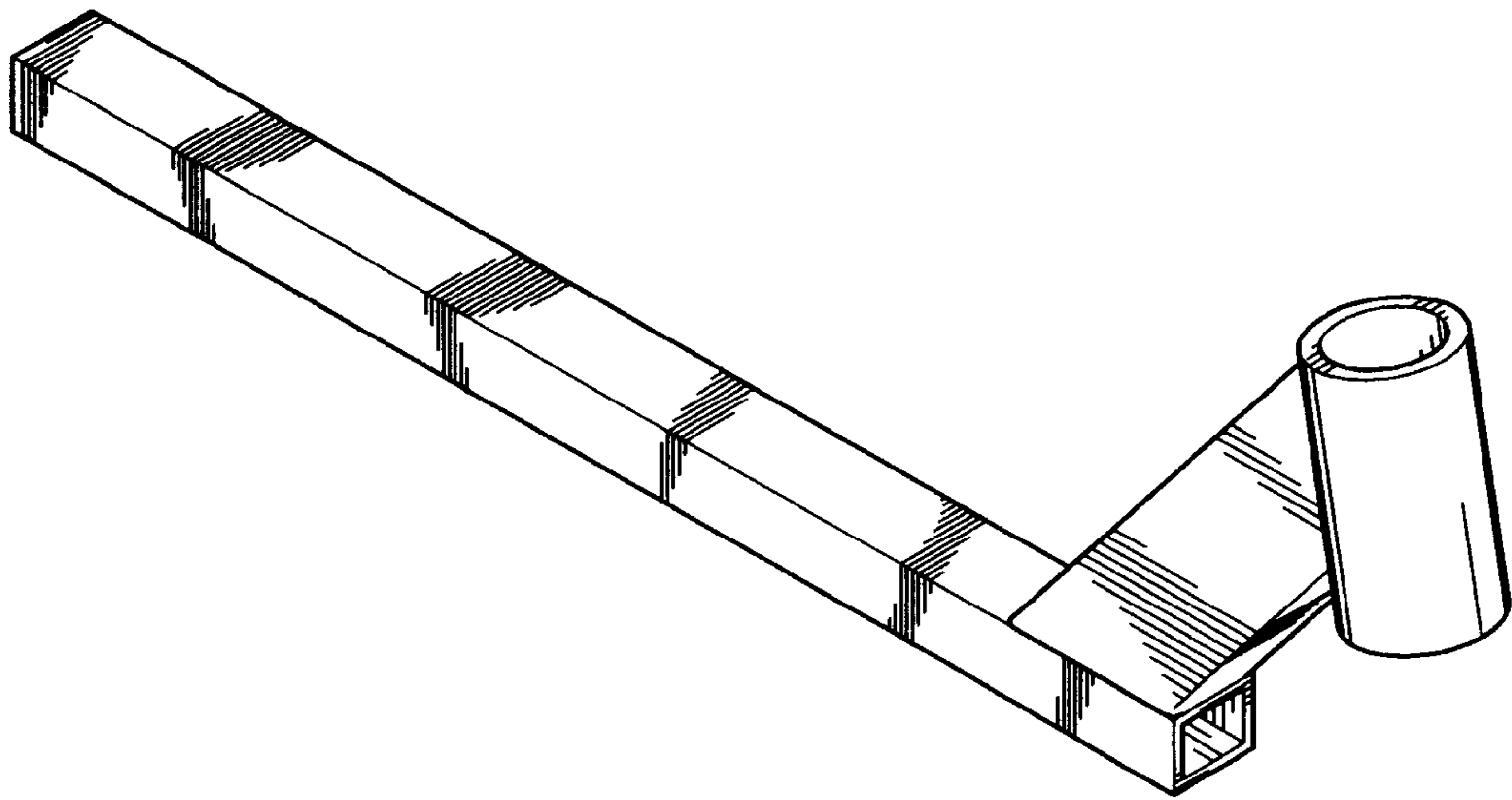


FIG. 1

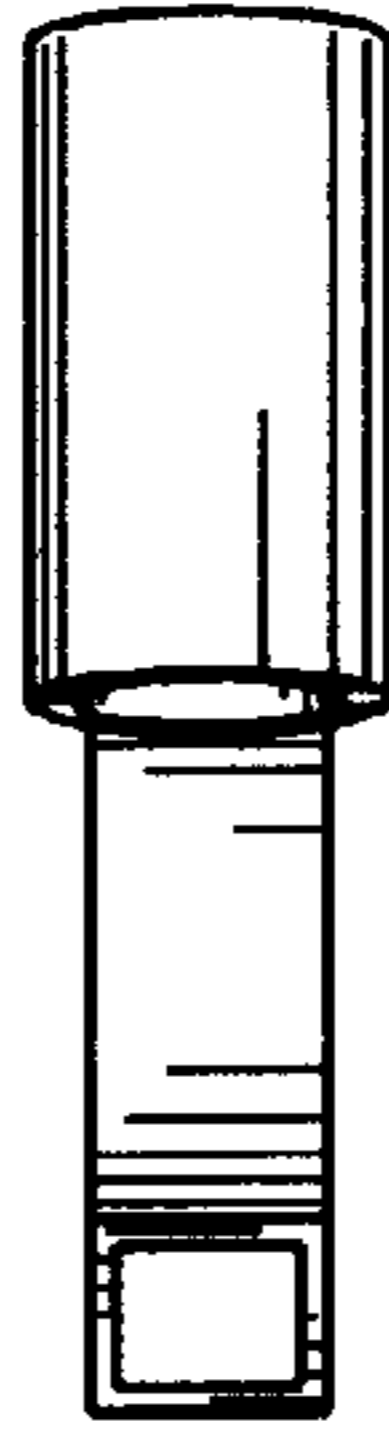


FIG. 2

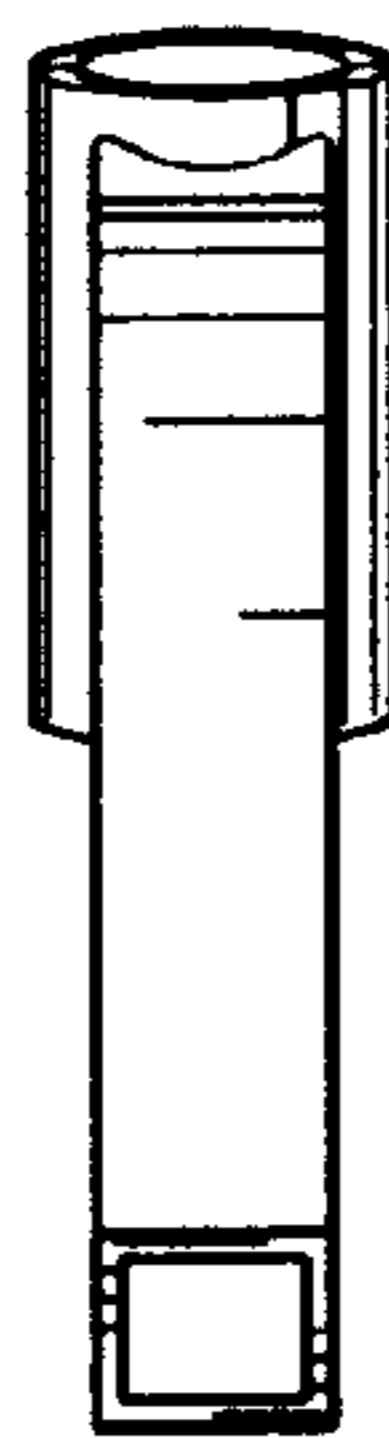


FIG. 3

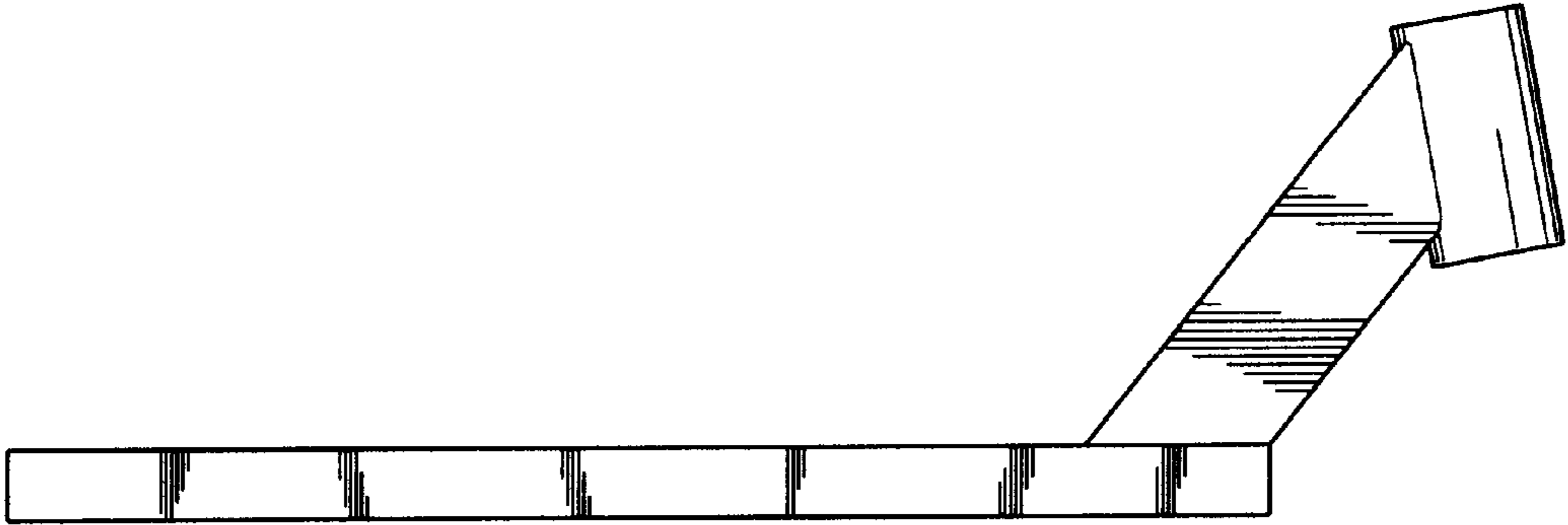


FIG. 4



FIG. 5

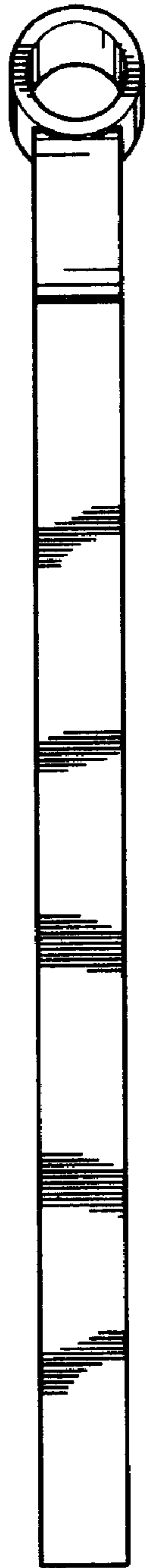


FIG. 7



FIG. 6