



US00D437615S

(12) **United States Design Patent**
Leins

(10) **Patent No.:** **US D437,615 S**

(45) **Date of Patent:** **** Feb. 13, 2001**

(54) **MULTI-PURPOSE HAND-OPERATED OFFICE UTENSIL**

(75) Inventor: **Hanspeter Leins**, Nagold (DE)

(73) Assignee: **C-Tech AG** (CH)

(**) Term: **14 Years**

(21) Appl. No.: **29/126,982**

(22) Filed: **Jul. 27, 2000**

Related U.S. Application Data

(62) Division of application No. 29/116,262, filed on Dec. 28, 1999, which is a division of application No. 29/057,648, filed on Jul. 29, 1996, now Pat. No. Des. 425,125.

(51) **LOC (7) Cl.** **19-02**

(52) **U.S. Cl.** **D19/65; D8/105**

(58) **Field of Search** D8/98, 104, 105;
D19/65, 75, 77, 81-85, 99, 100; 7/118,
119, 160, 163, 164; 30/152

(56) **References Cited**

U.S. PATENT DOCUMENTS

D. 302,102 7/1989 Amagaya .

(List continued on next page.)

FOREIGN PATENT DOCUMENTS

P.A.190350-
3458 6/1958 (DE) .

(List continued on next page.)

OTHER PUBLICATIONS

Brochure, "Wenger. The Genuine Swiss Army Knife," 27 pages.

(List continued on next page.)

Primary Examiner—Martie K. Holtje

(74) *Attorney, Agent, or Firm*—Brinks Hofer Gilson & Lione

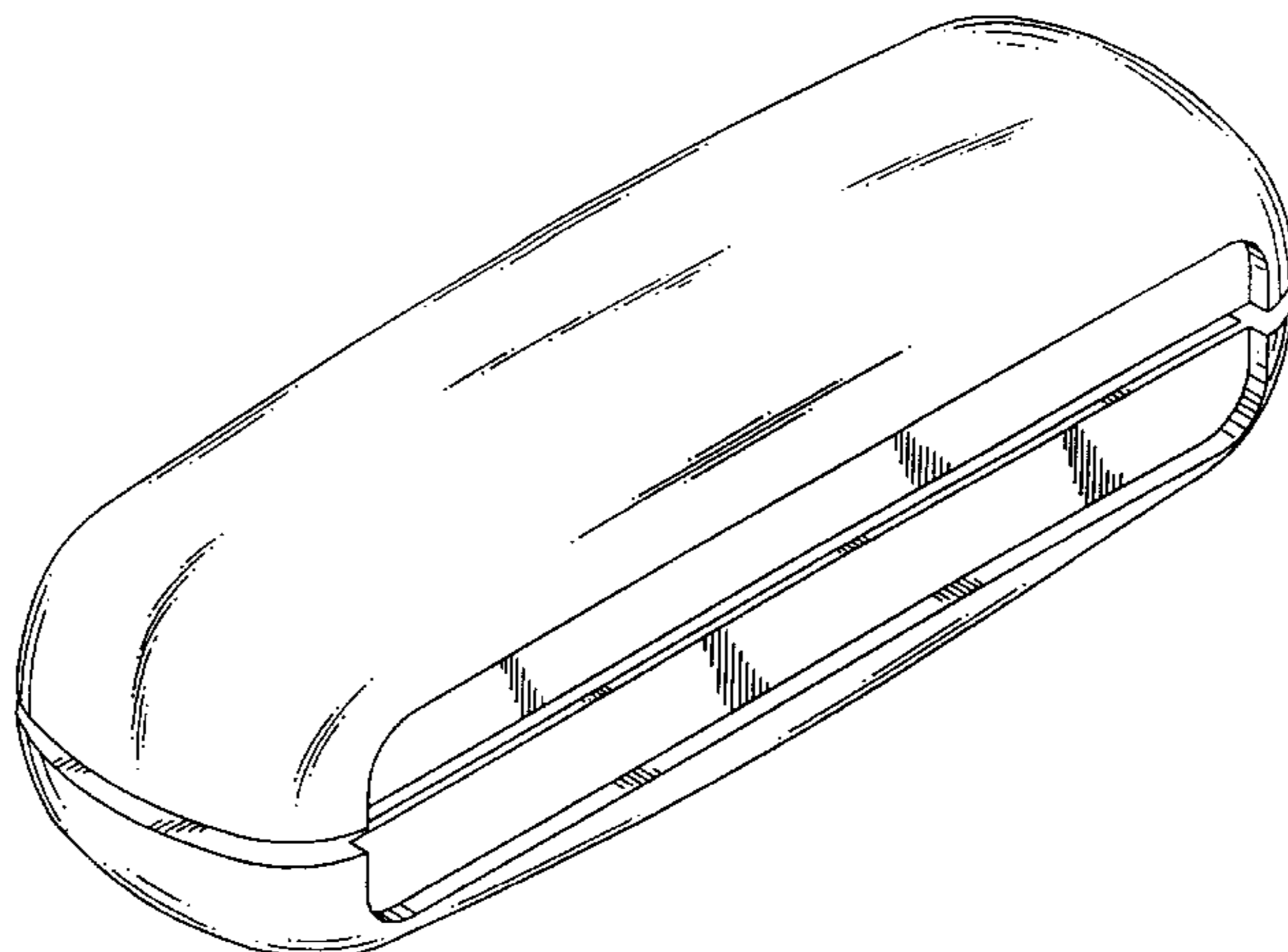
(57) **CLAIM**

The ornamental design for a multi-purpose hand-operated office utensil, as shown and described.

DESCRIPTION

FIG. 1 is a top perspective view of a multi-purpose hand-operated office utensil showing my new design; FIG. 2 is a bottom perspective view of FIG. 1; FIG. 3 is a left side elevational view of FIG. 1; FIG. 4 is a right side elevational view of FIG. 1; FIG. 5 is a top plan view of FIG. 1; FIG. 6 is a bottom plan view of FIG. 1; FIG. 7 is a rear elevational view of FIG. 1; FIG. 8 is a front elevational view of FIG. 1. FIG. 9 is a second top perspective view of my new design of FIG. 1; FIG. 10 is a bottom perspective view of FIG. 9; FIG. 11 is a left side elevational view of FIG. 9; FIG. 12 is a right side elevational view of FIG. 9; FIG. 13 is a top plan view of FIG. 9; FIG. 14 is a bottom plan view of FIG. 9; FIG. 15 is a rear elevational view of FIG. 9; FIG. 16 is a front elevational view of FIG. 9. FIG. 17 is a third top perspective view of my new design of FIG. 1; FIG. 18 is a bottom perspective view of FIG. 17; FIG. 19 is a left side elevational view of FIG. 17; FIG. 20 is a right side elevational view of FIG. 17; FIG. 21 is a top plan view of FIG. 17; FIG. 22 is a bottom plan view of FIG. 17; FIG. 23 is a rear elevational view of FIG. 17; FIG. 24 is a front elevational view of FIG. 17. FIG. 25 is a fourth top perspective view of my new design of FIG. 1; FIG. 26 is a bottom perspective view of FIG. 25; FIG. 27 is a left side elevational view of FIG. 25; FIG. 28 is a right side elevational view of FIG. 25; FIG. 29 is a top plan view of FIG. 25; FIG. 30 is a bottom plan view of FIG. 25; FIG. 31 is a rear elevational view of FIG. 25; and, FIG. 32 is a front elevational view of FIG. 25. The variety of structural elements depicted by means of broken lines in FIGS. 9-32 have been shown for environmental purposes only and form no part of the claimed design.

1 Claim, 12 Drawing Sheets



US D437,615 S

Page 2

U.S. PATENT DOCUMENTS

D. 308,462 6/1990 Komatsu .
D. 318,070 7/1991 Amagaya .
D. 321,637 11/1991 Chan .
D. 336,415 6/1993 Cheng .
D. 415,201 10/1999 Leins .
D. 425,125 * 5/2000 Leins D19/65
662,005 11/1900 Lewis .
790,432 5/1905 Heilrath .
847,459 6/1907 Hendrickson .
2,264,322 12/1941 Maynard 1/3
2,486,500 11/1949 Shocket 1/49
2,726,393 12/1955 Vogel 1/3.05
3,640,443 2/1972 Itagaki 227/120
3,907,190 9/1975 Mitsuhashi 227/127
3,951,325 4/1976 Mitsuhashi 227/76
4,002,281 1/1977 Hsu 227/63
4,114,793 9/1978 Hsu 227/63
4,240,572 12/1980 Mitsuhashi 227/76
4,288,018 9/1981 Taniguchi 227/76
4,491,261 1/1985 Mitsuhashi 227/76
4,640,451 2/1987 Steiner et al. 227/76
4,727,610 3/1988 Lin 7/160
4,729,170 3/1988 Hartmeister 30/363
4,779,785 10/1988 Amagaya 227/76

4,783,867 11/1988 Tsao 7/160
4,794,692 1/1989 Wang .
5,114,257 5/1992 Hsu 401/195
5,184,765 2/1993 Orozco 227/27
5,584,124 12/1996 Marthaler et al. 30/363
5,655,697 8/1997 Yeh 227/27

FOREIGN PATENT DOCUMENTS

26 25 749 A1 12/1977 (DE) .
4021645 A1 2/1991 (DE) .
41 10 688 A1 9/1991 (DE) .
0 306 678 A2 3/1989 (EP) .
2 186 227 8/1987 (GB) .
2196896 4/1988 (GB) .
8-112781 5/1996 (JP) .
WO 84/01739 5/1984 (WO) .

OTHER PUBLICATIONS

Brochure, "Wenger. The Genuine Swiss Army Knife™," 16 pages.
Six Photographs Showing Top, Bottom, Left-Side, Right-Side, Front, and Rear views of "MoMA PLUS" Device.

* cited by examiner

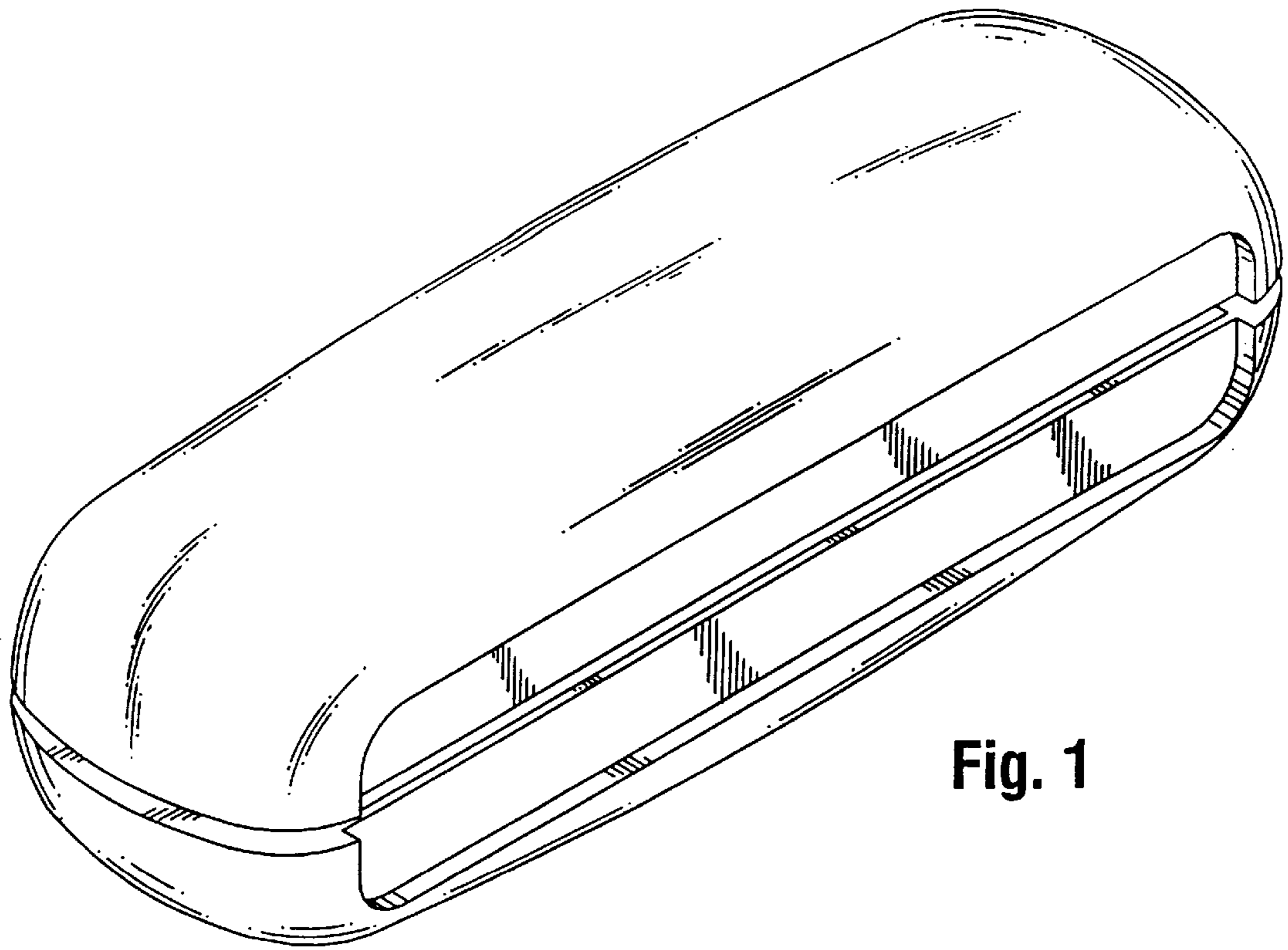


Fig. 1

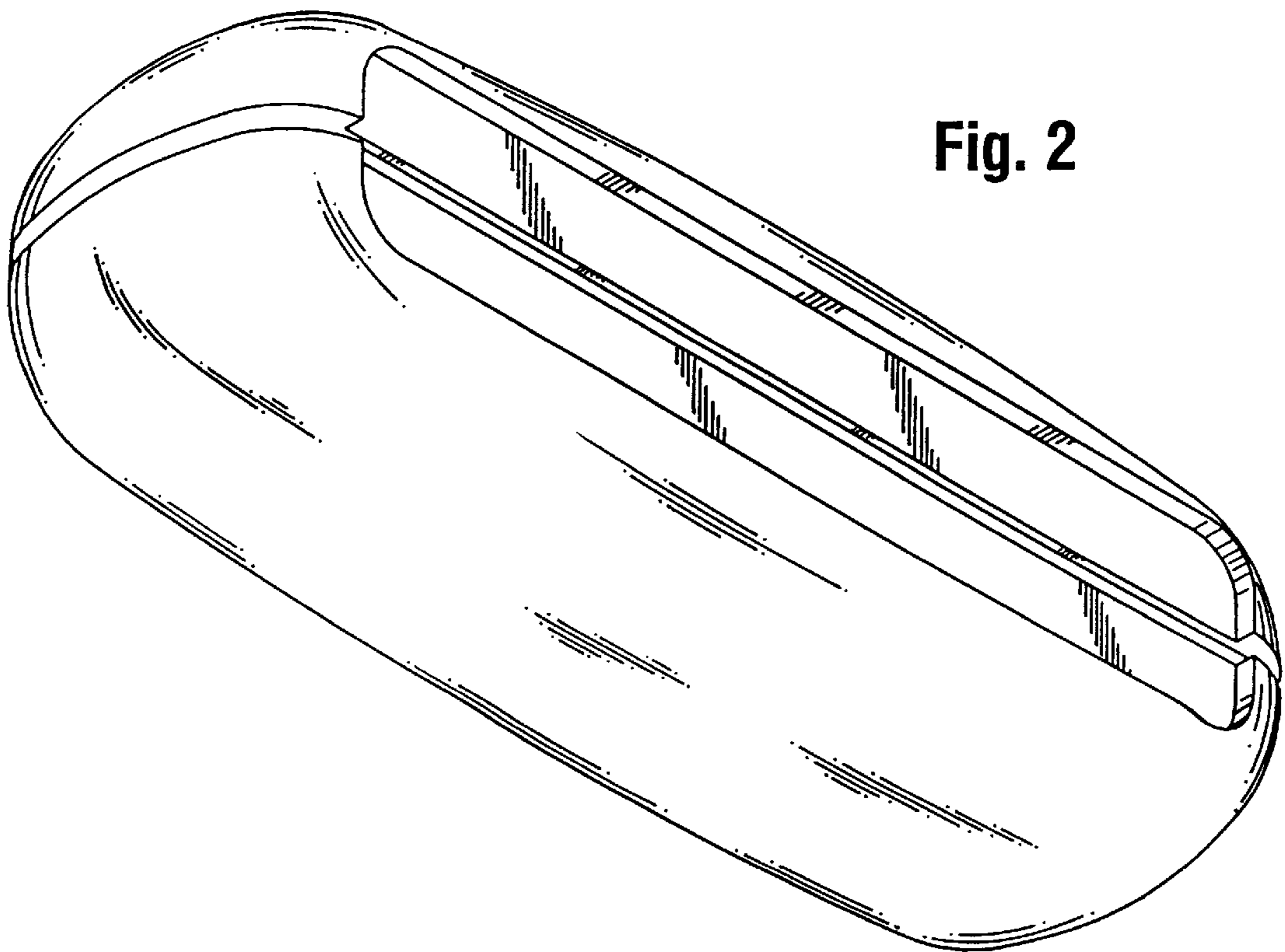


Fig. 2

Fig. 3

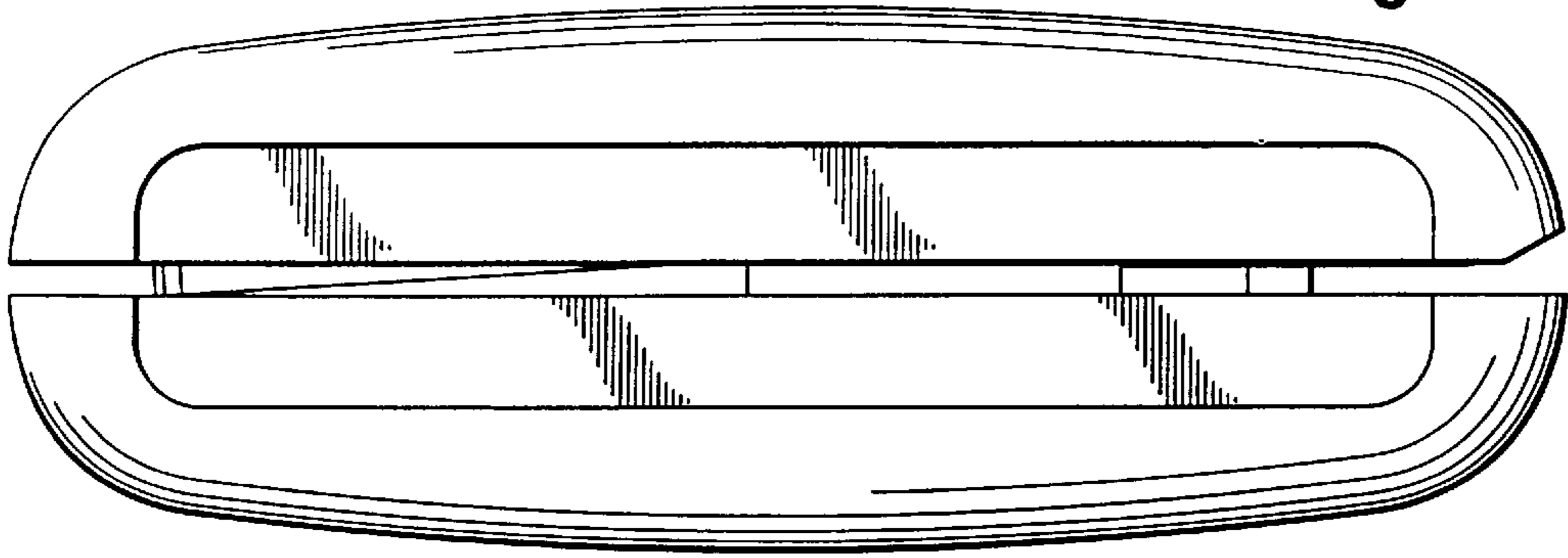


Fig. 4

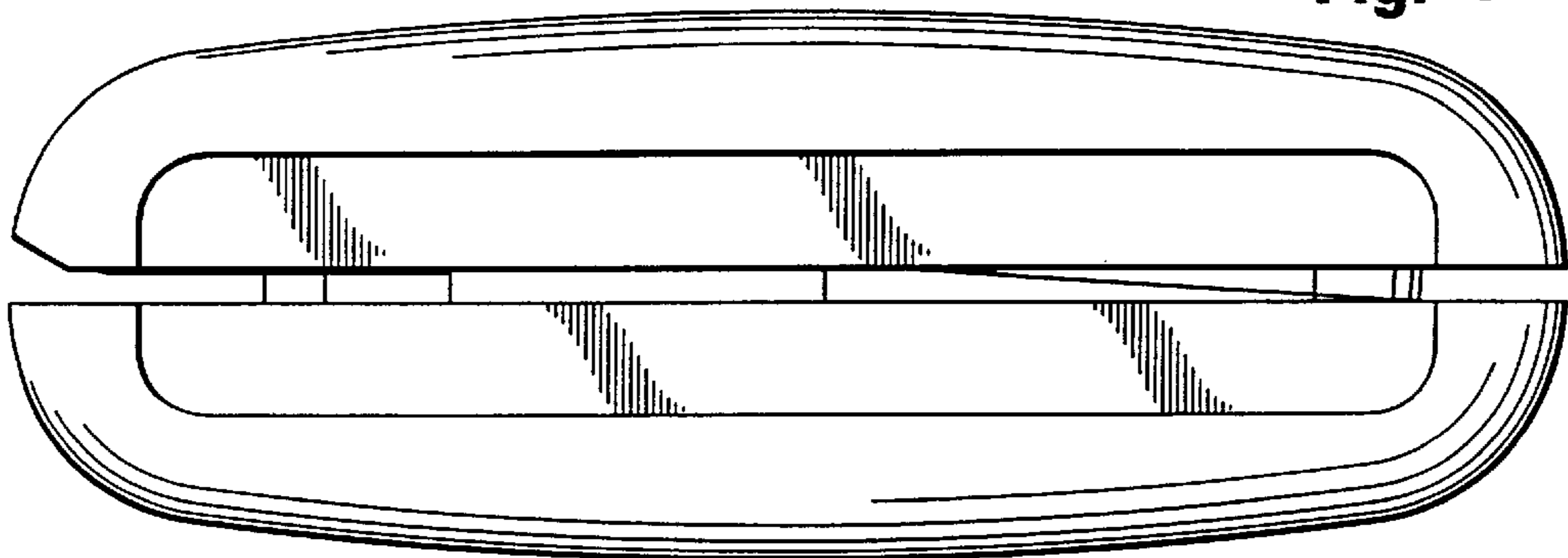


Fig. 5

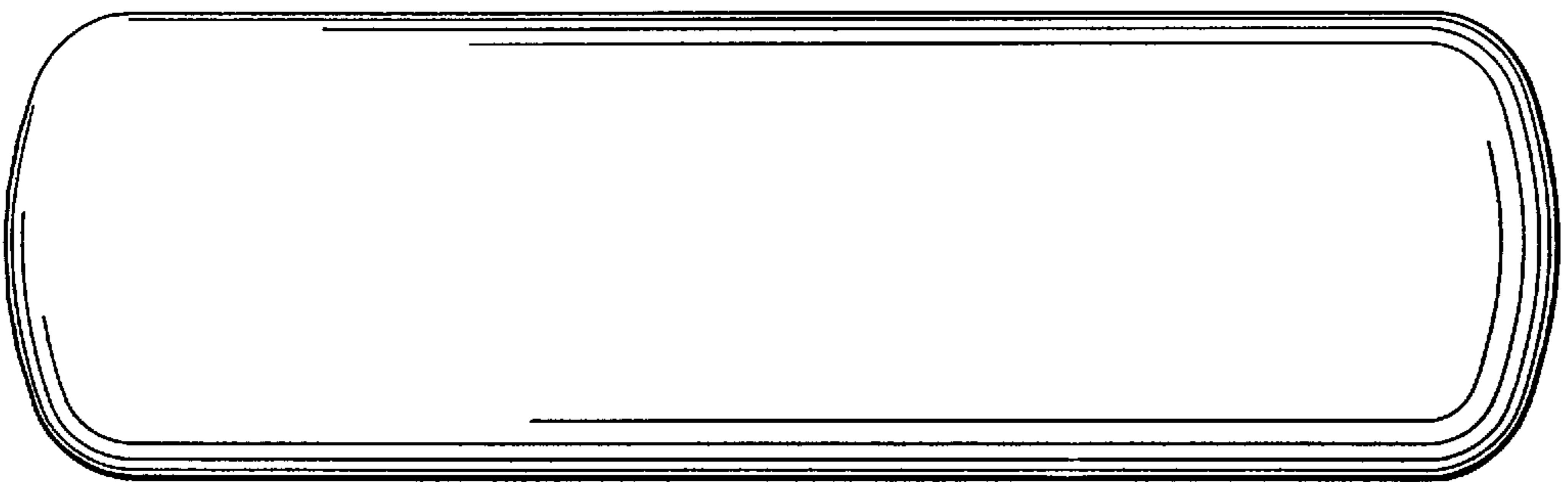


Fig. 6

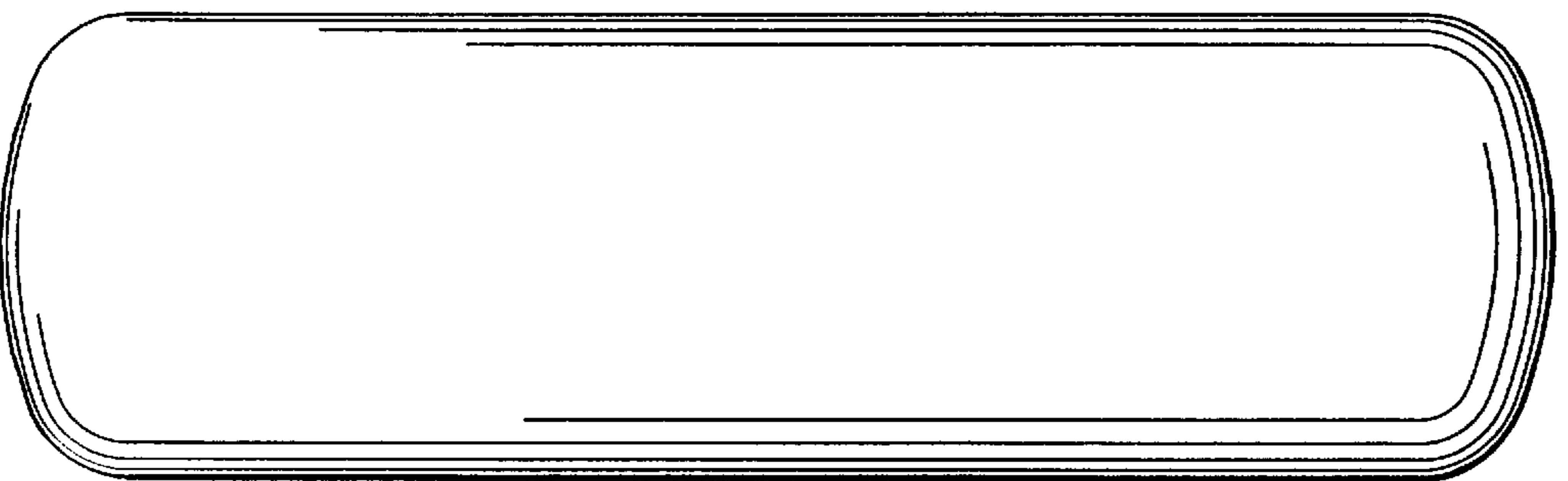


Fig. 7

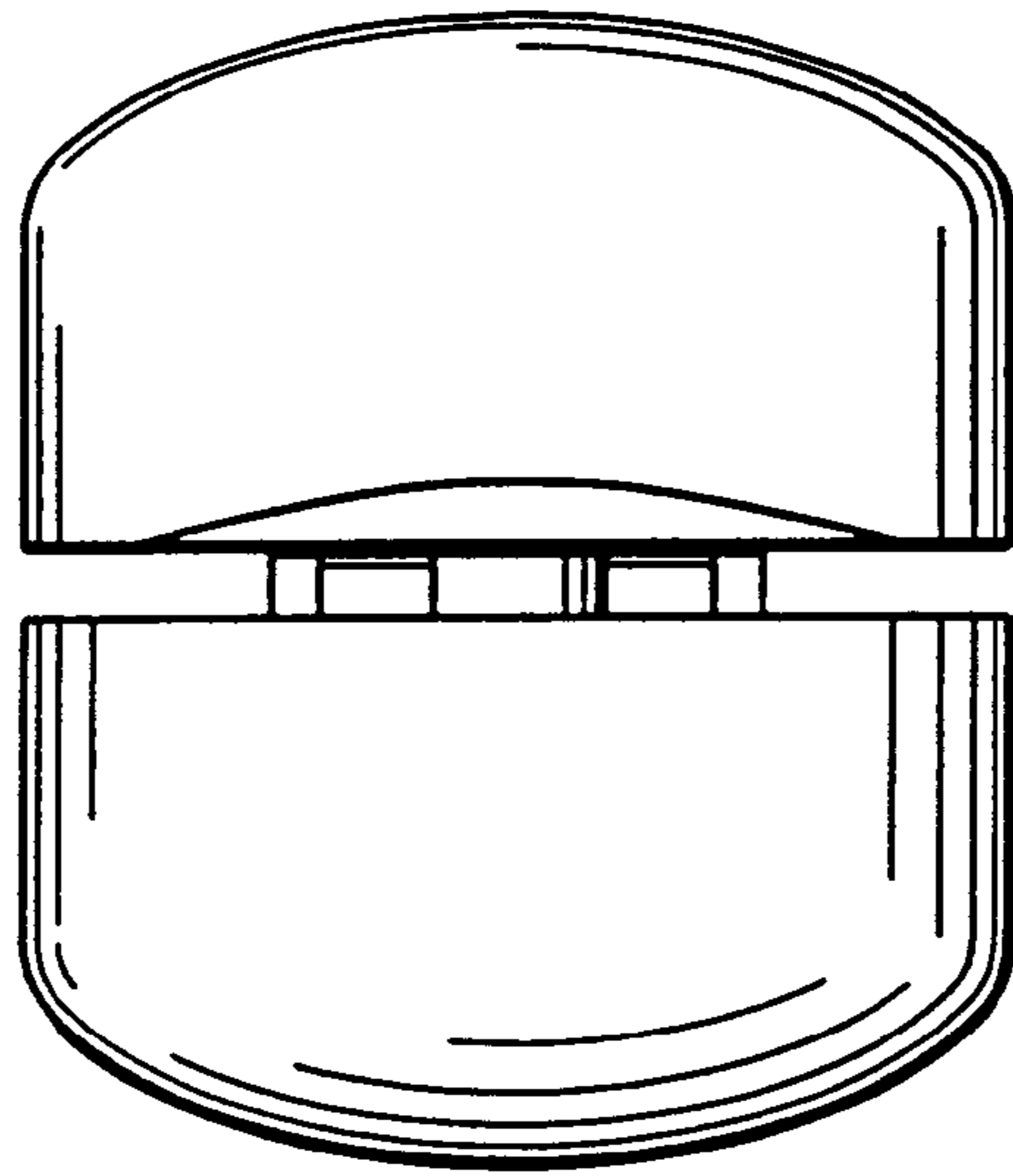
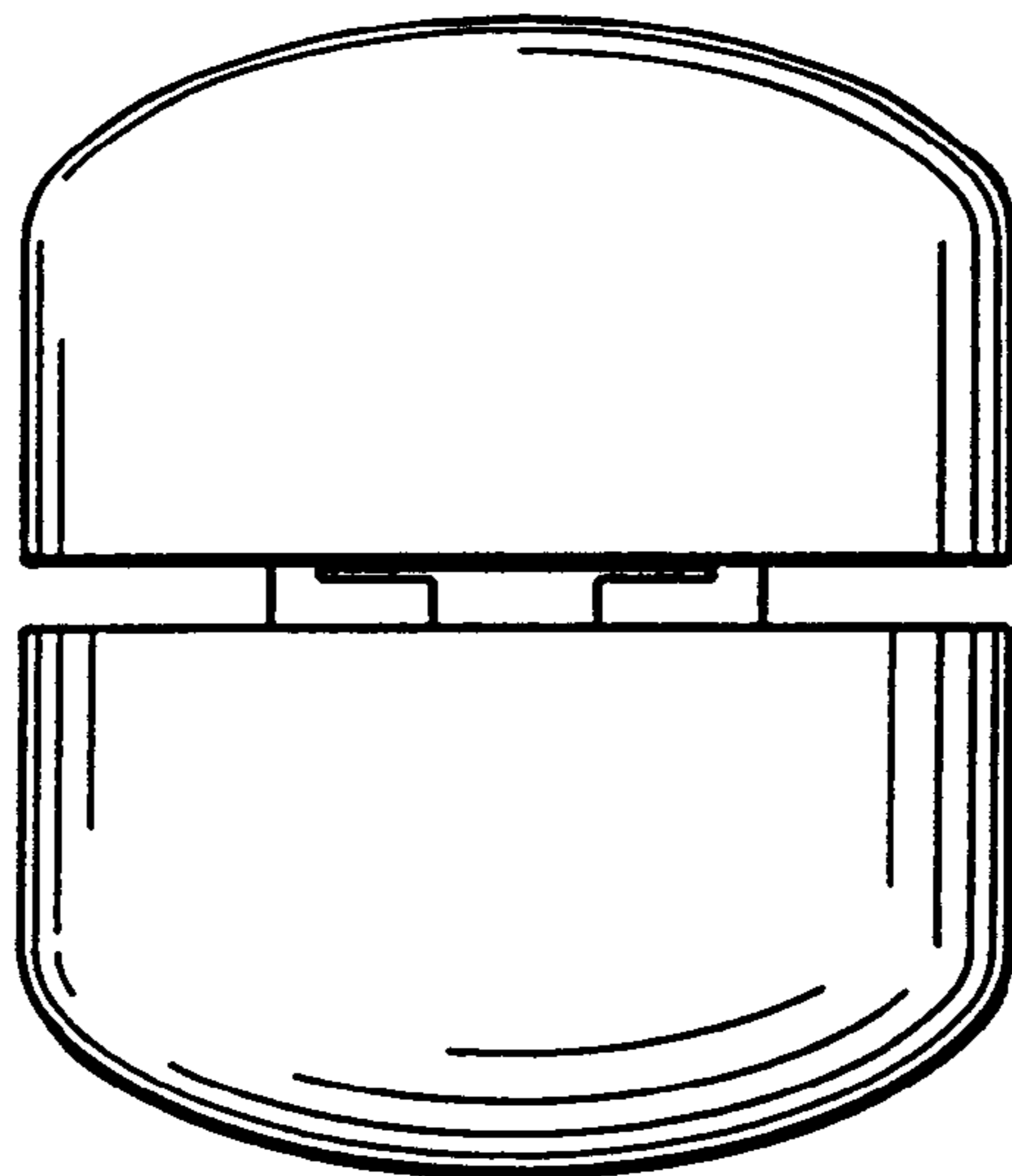


Fig. 8



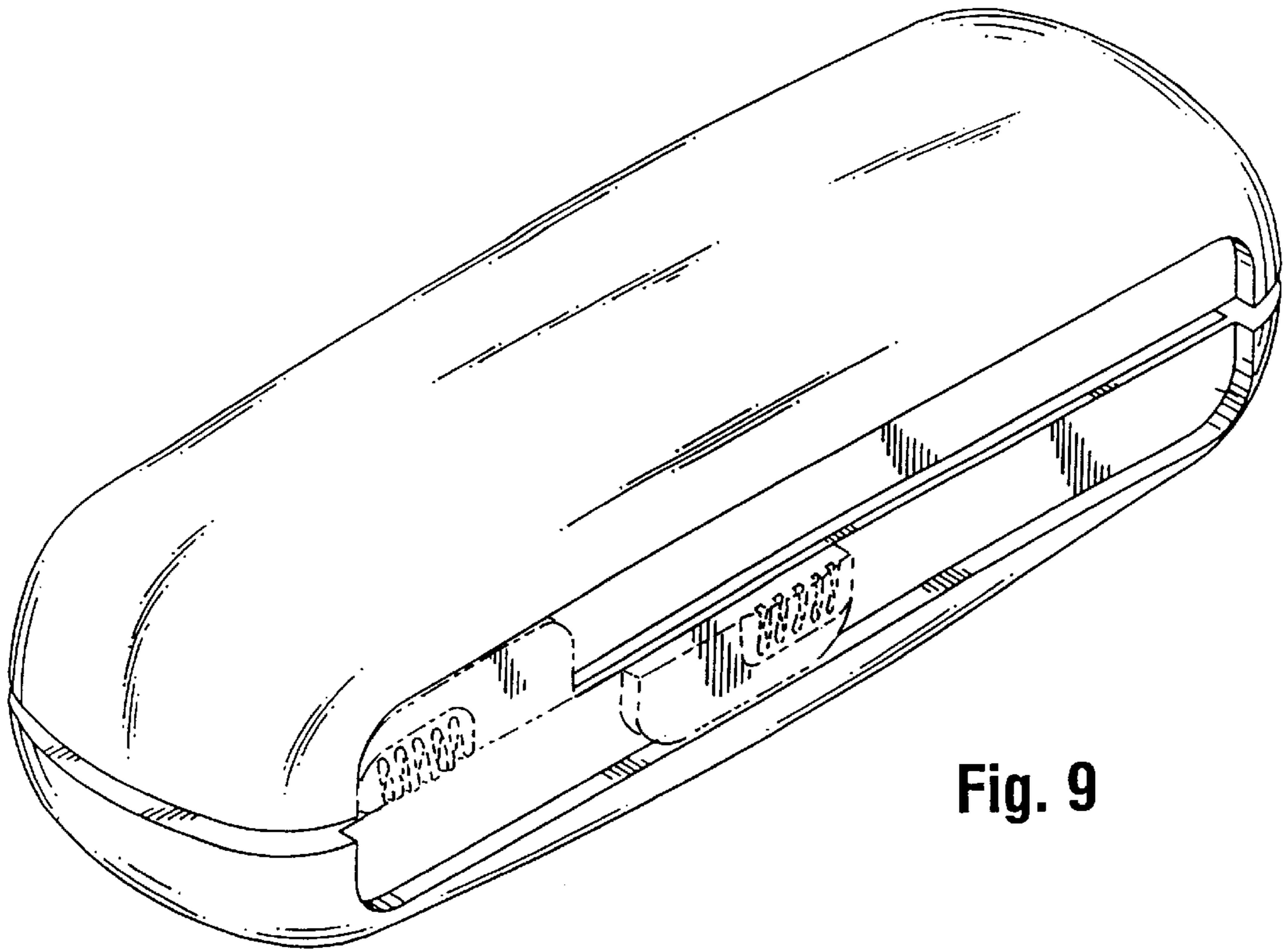


Fig. 9

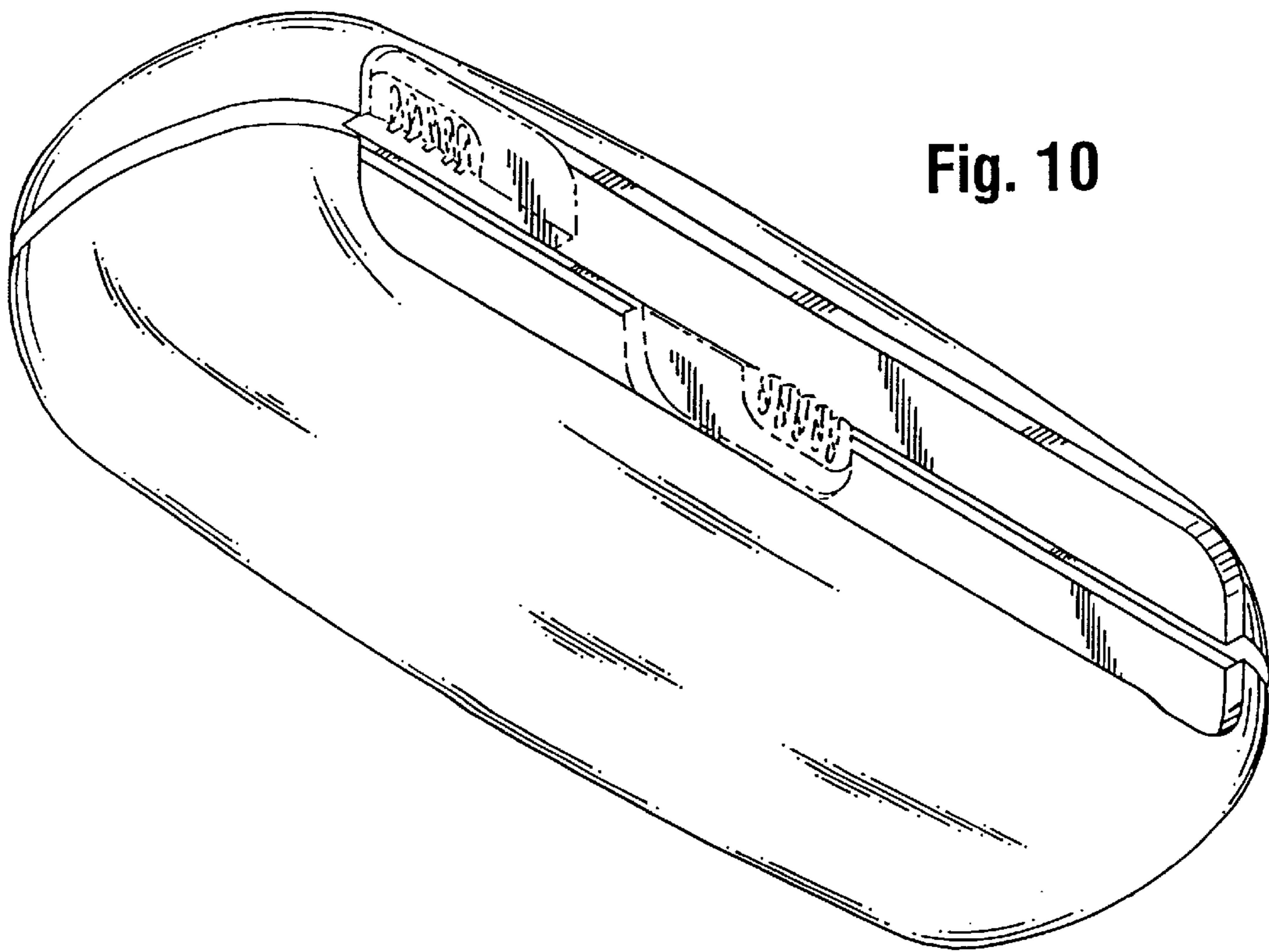


Fig. 10

Fig. 11

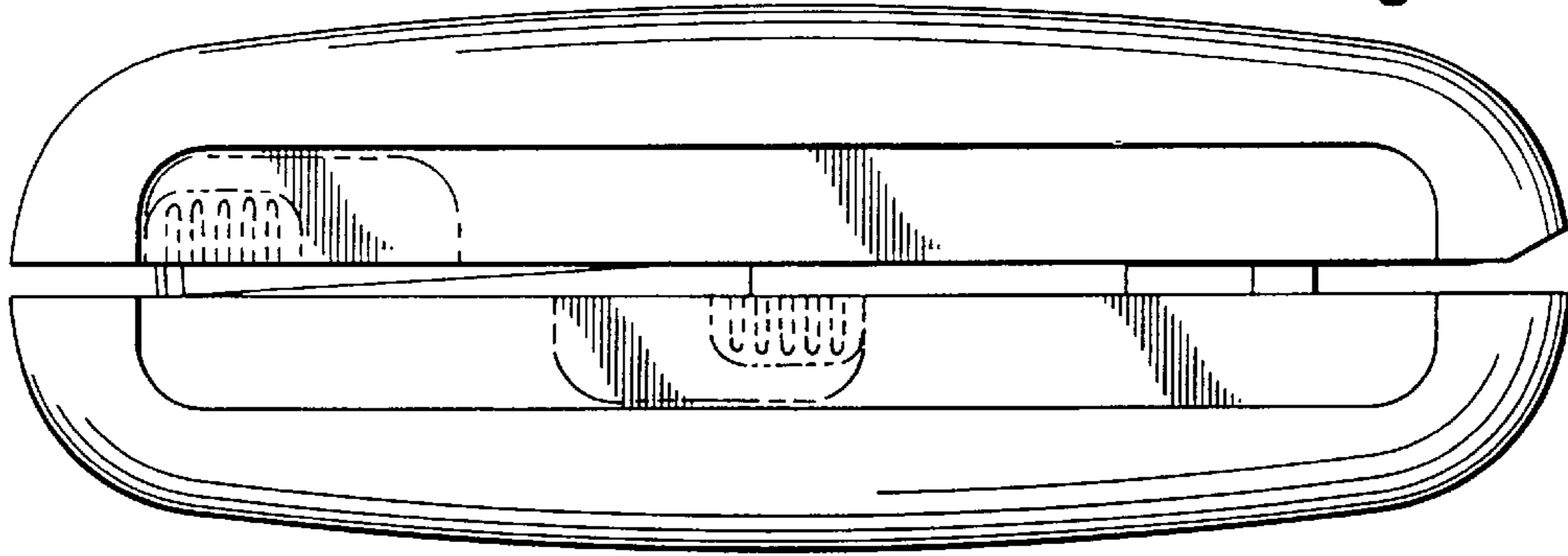


Fig. 12

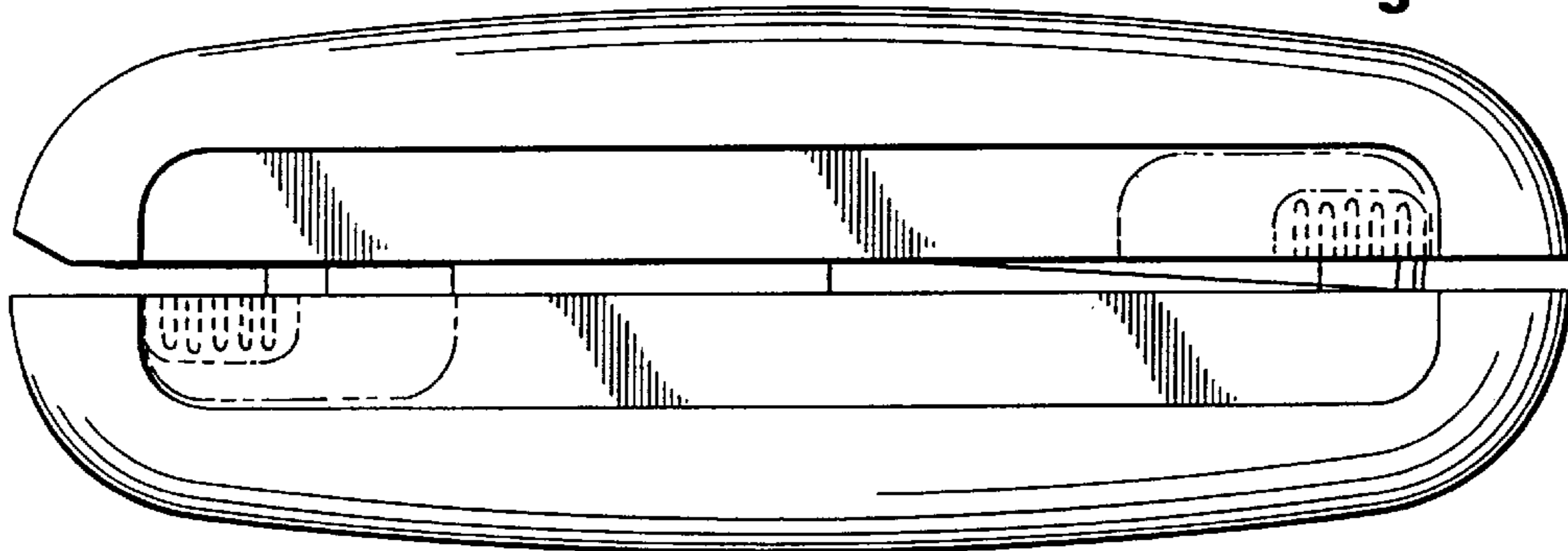


Fig. 13

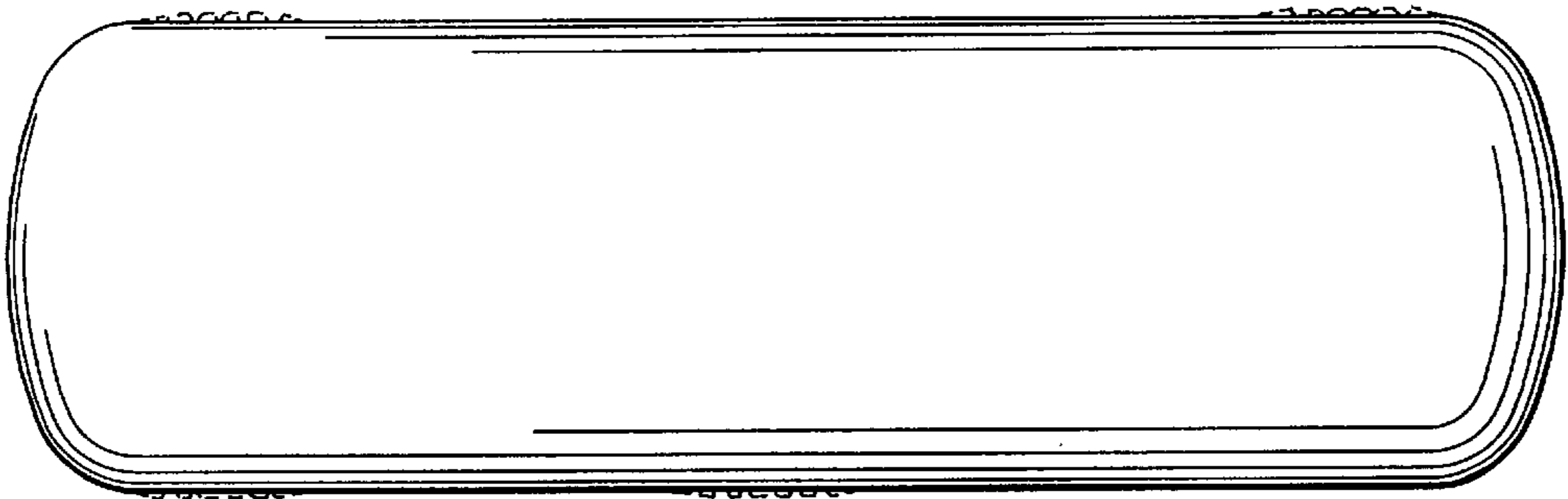


Fig. 14

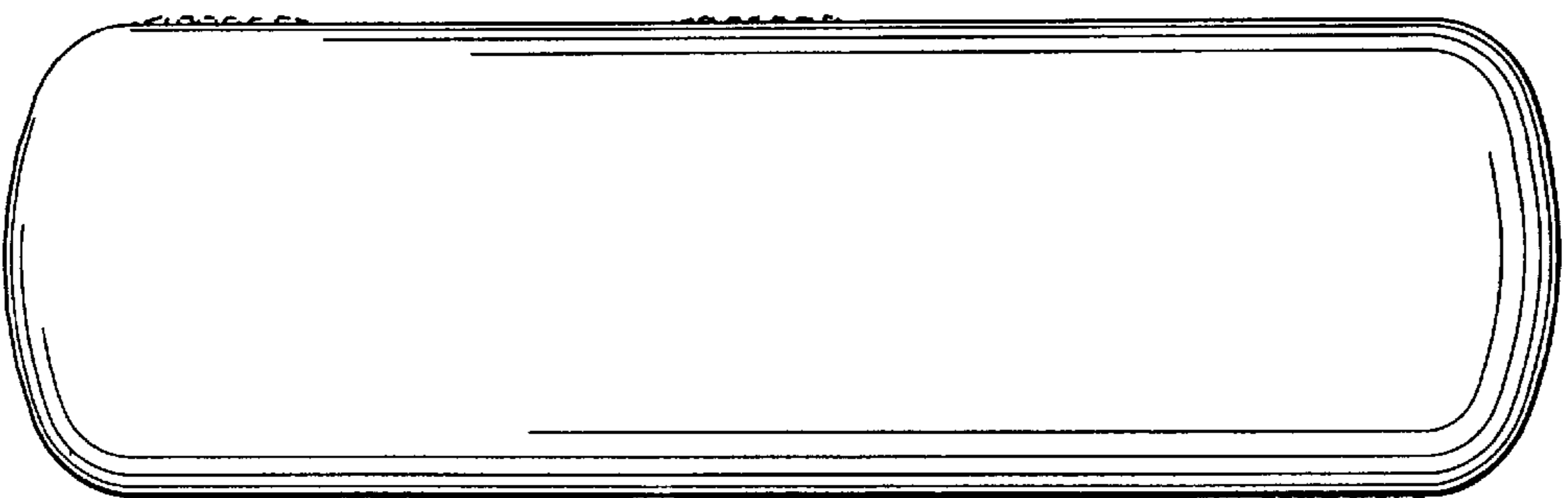


Fig. 15

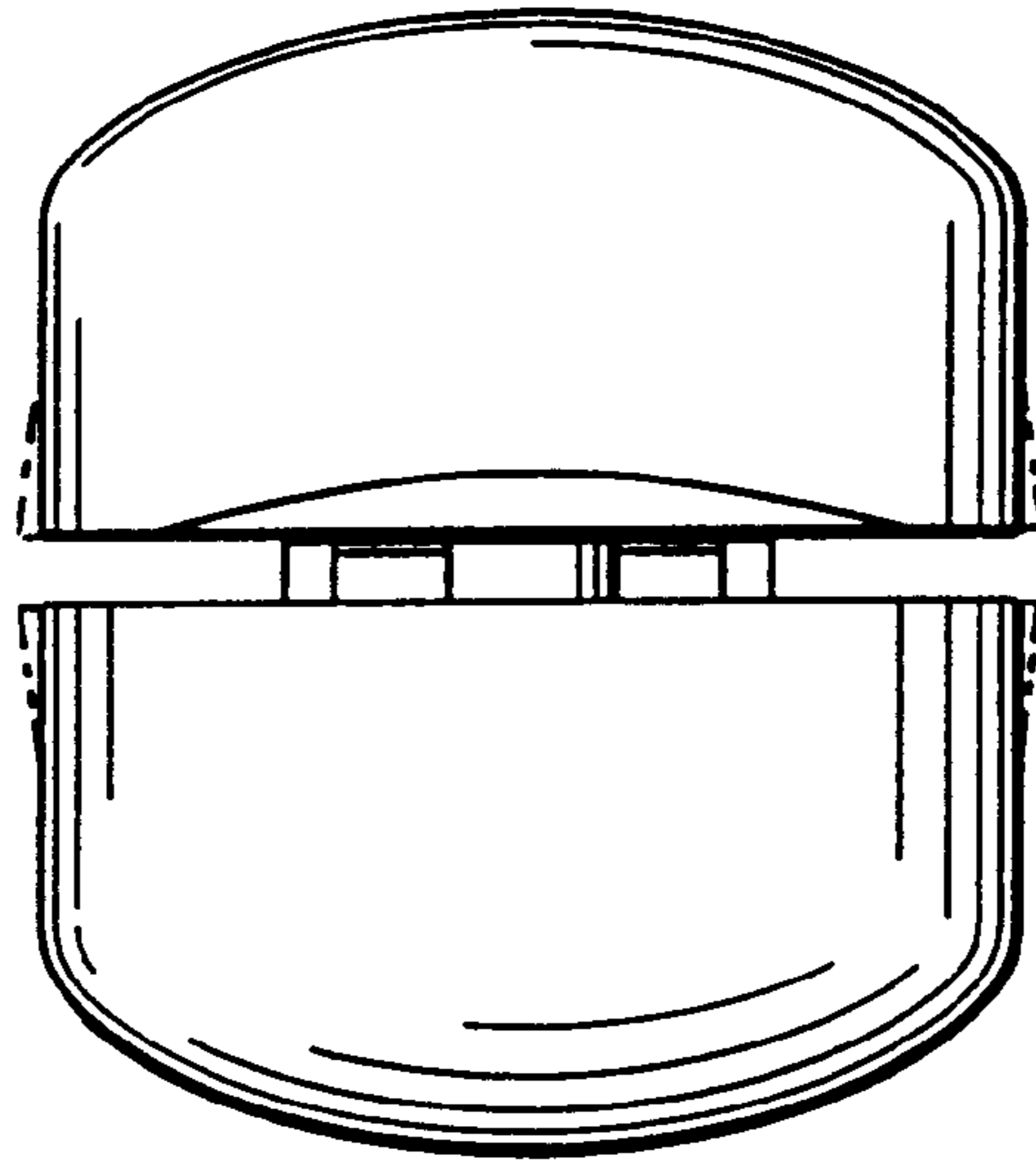
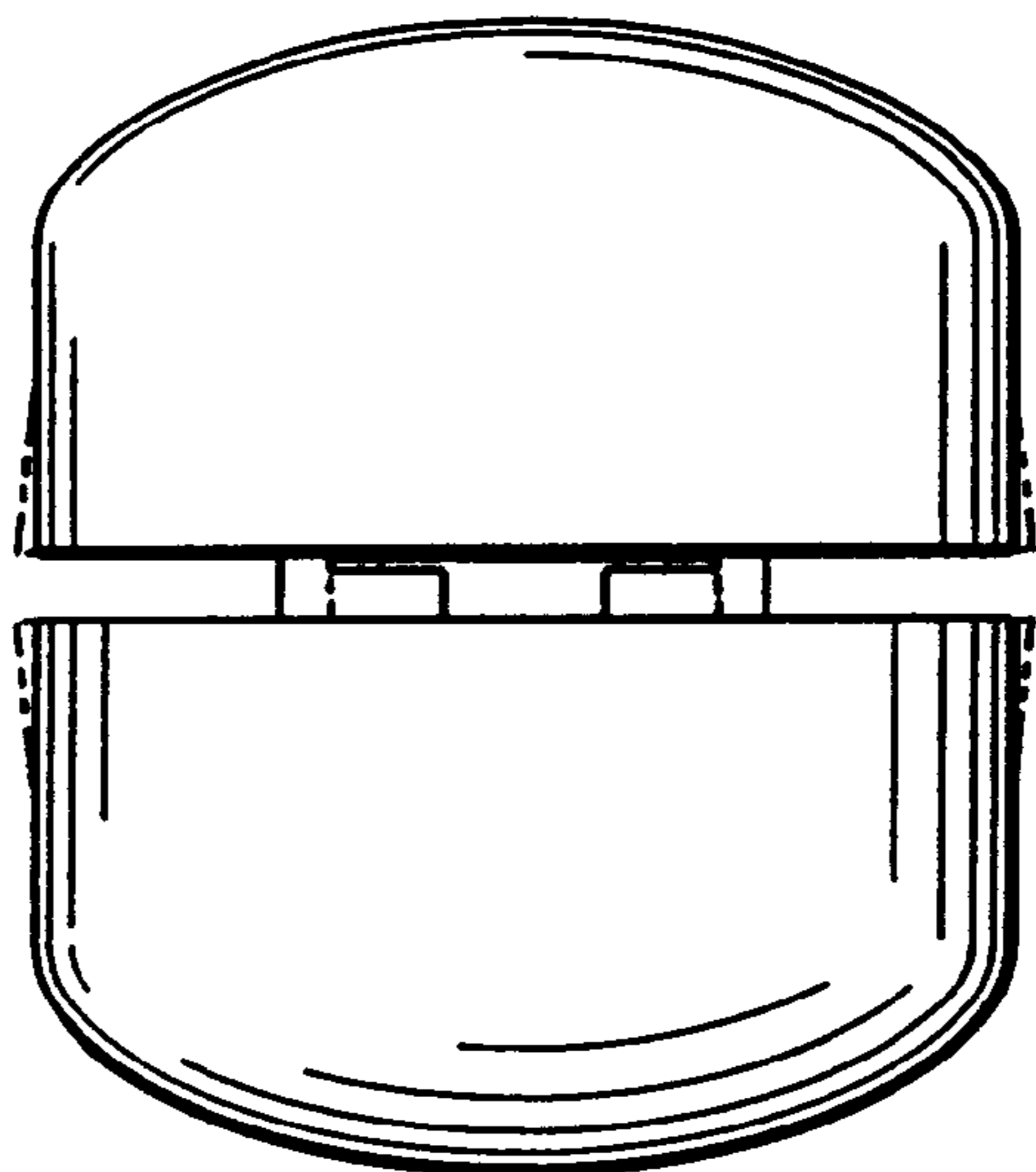


Fig. 16



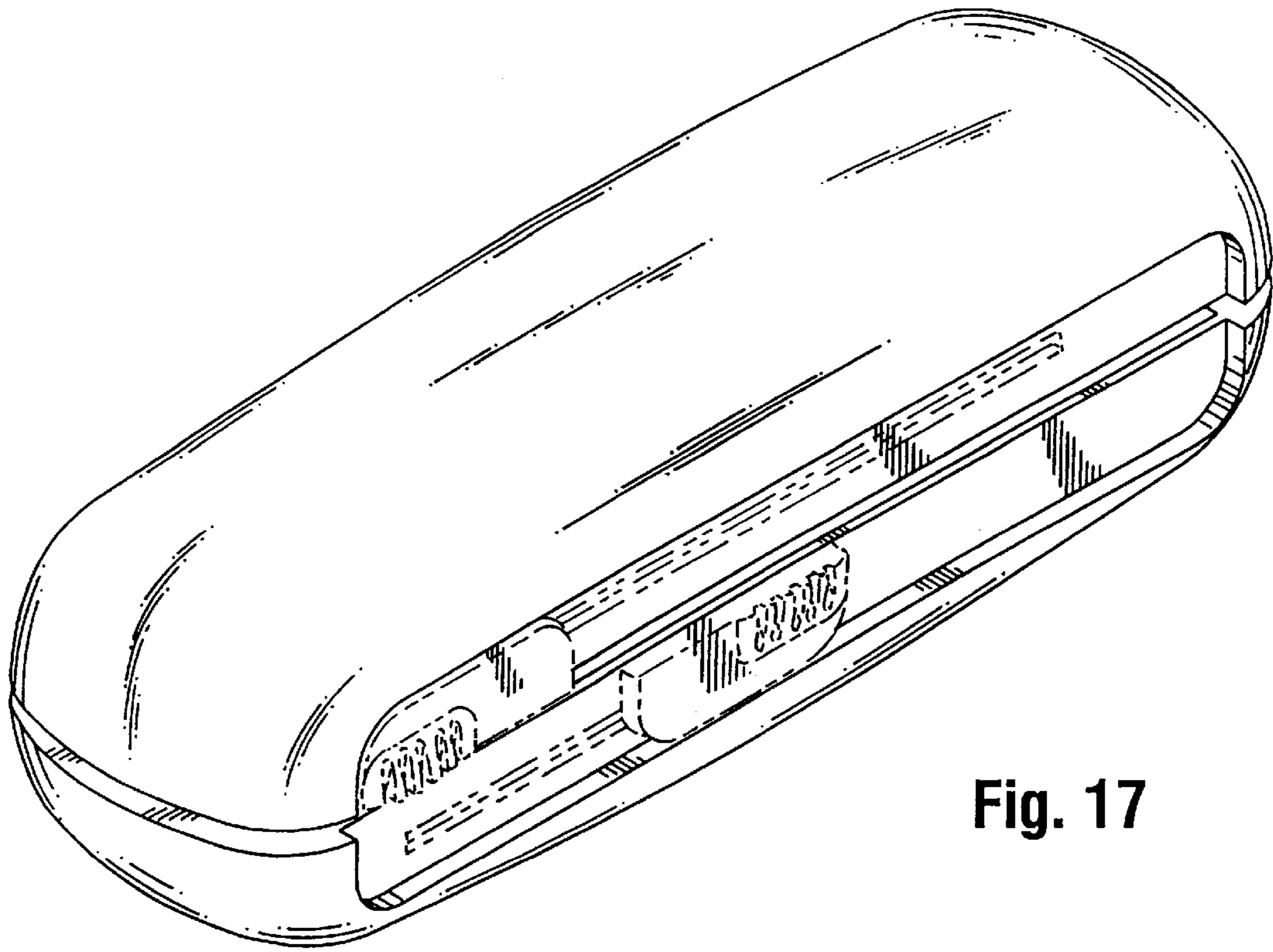


Fig. 17

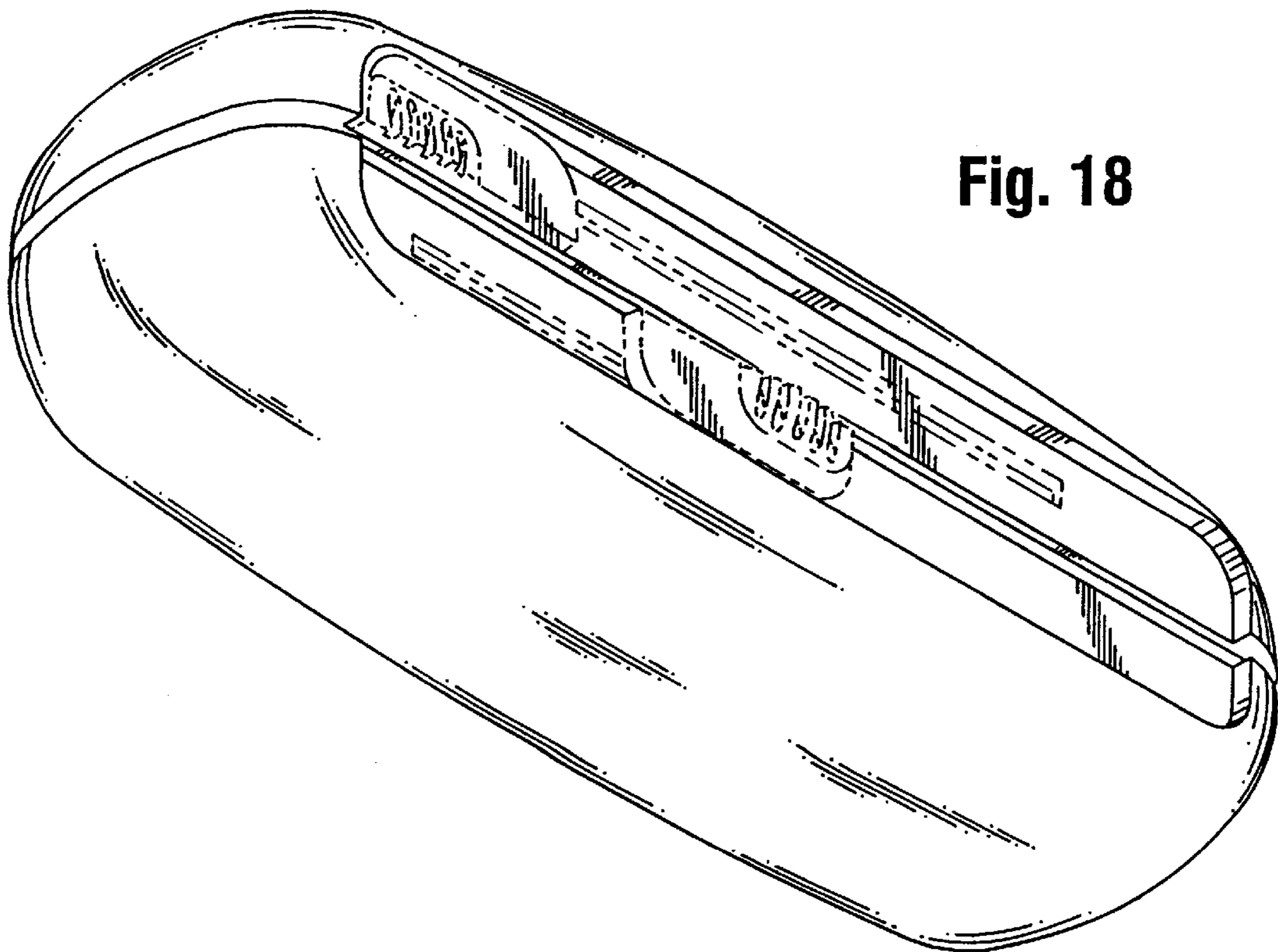


Fig. 18

Fig. 19

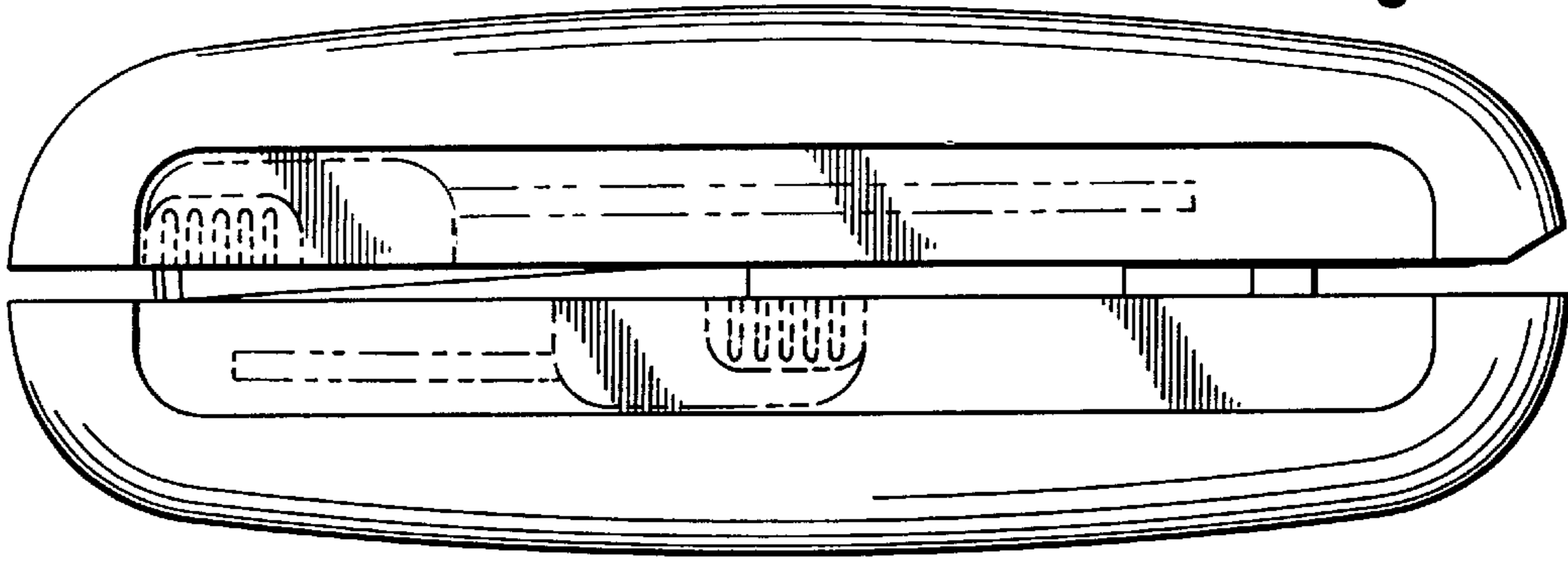


Fig. 20

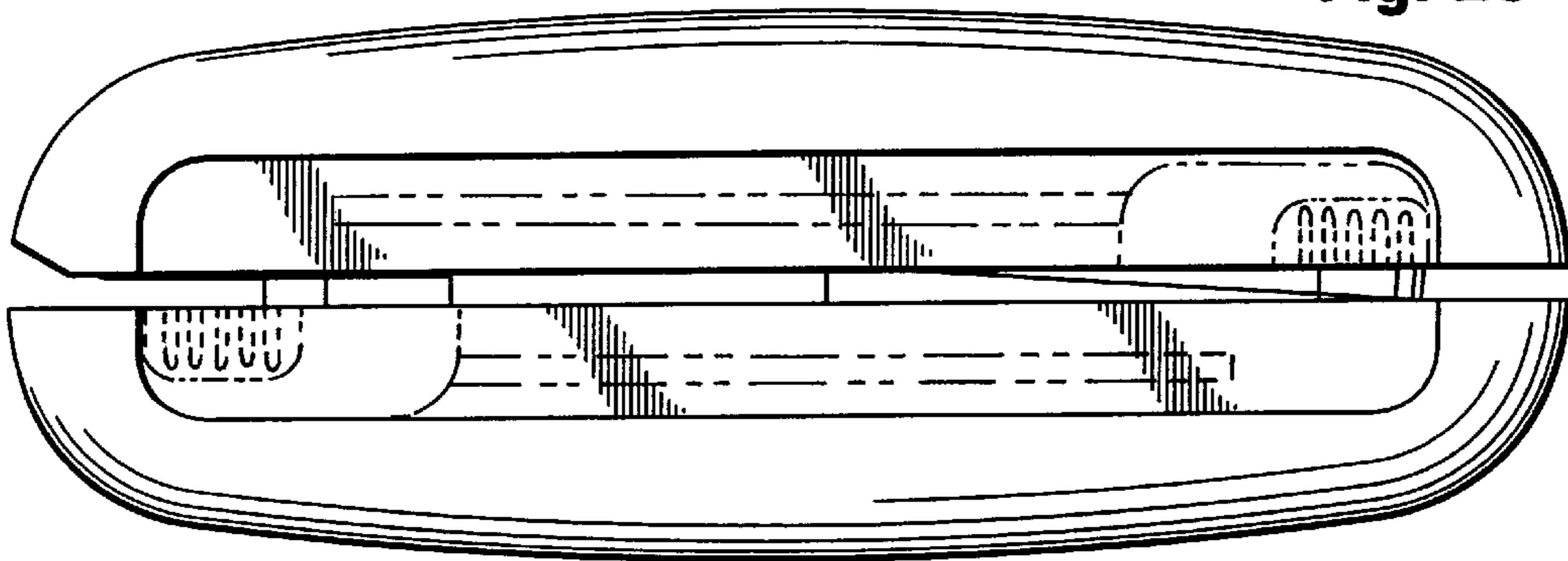


Fig. 21

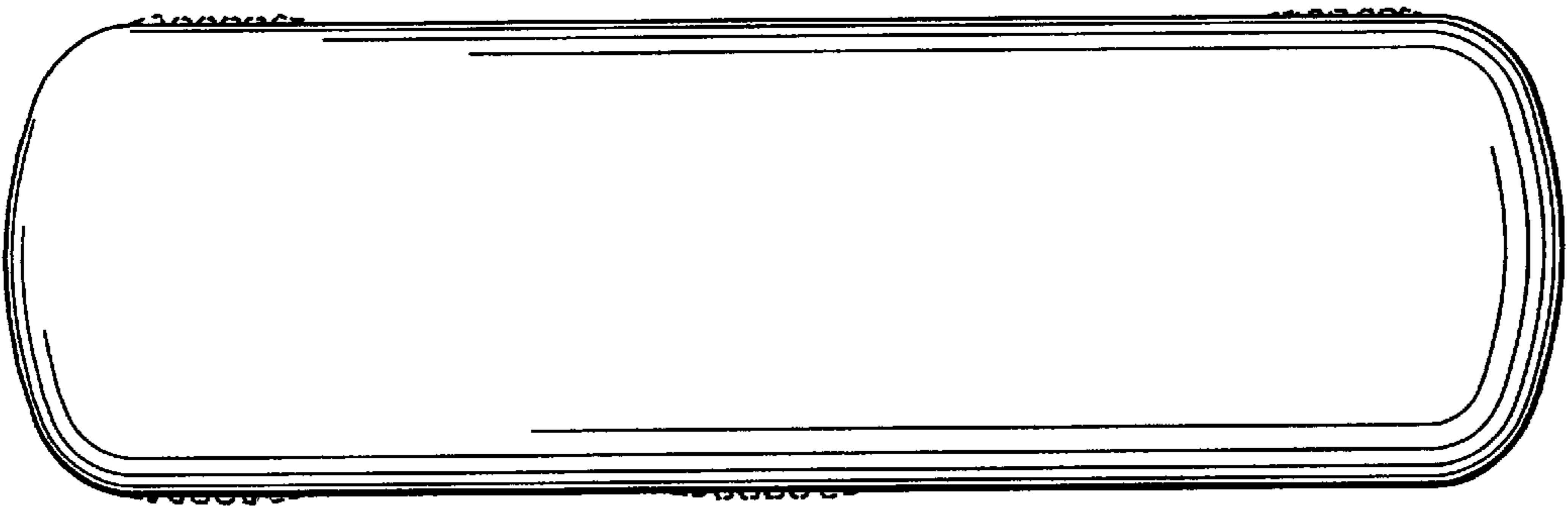


Fig. 22

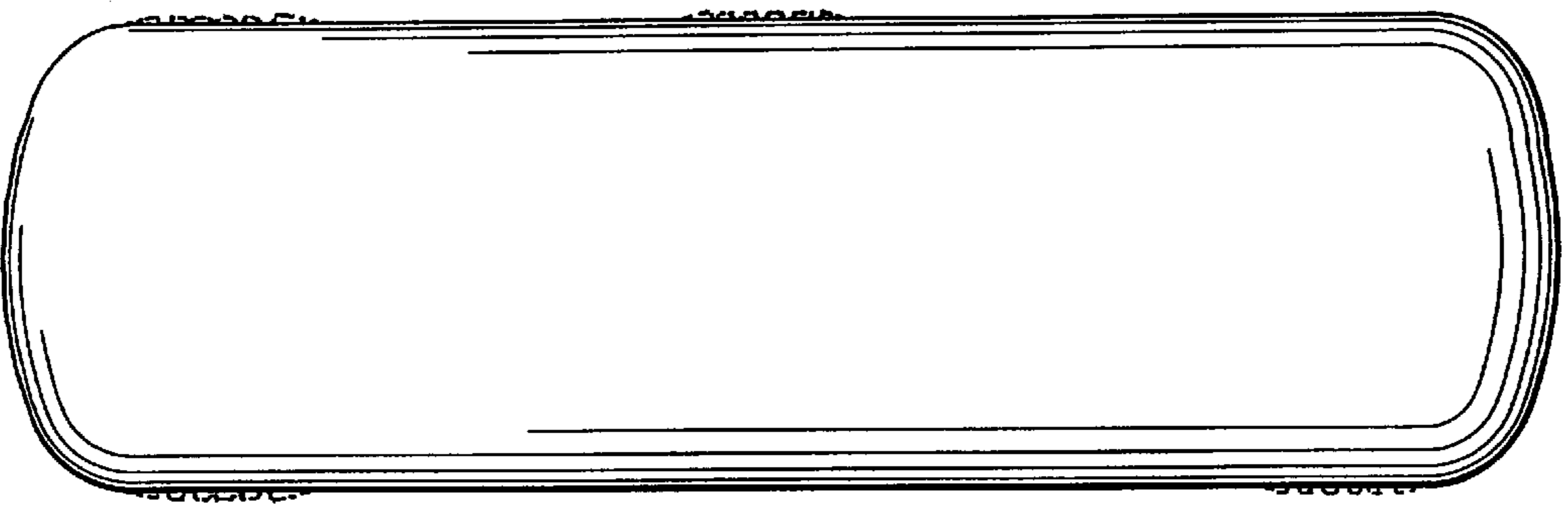


Fig. 23

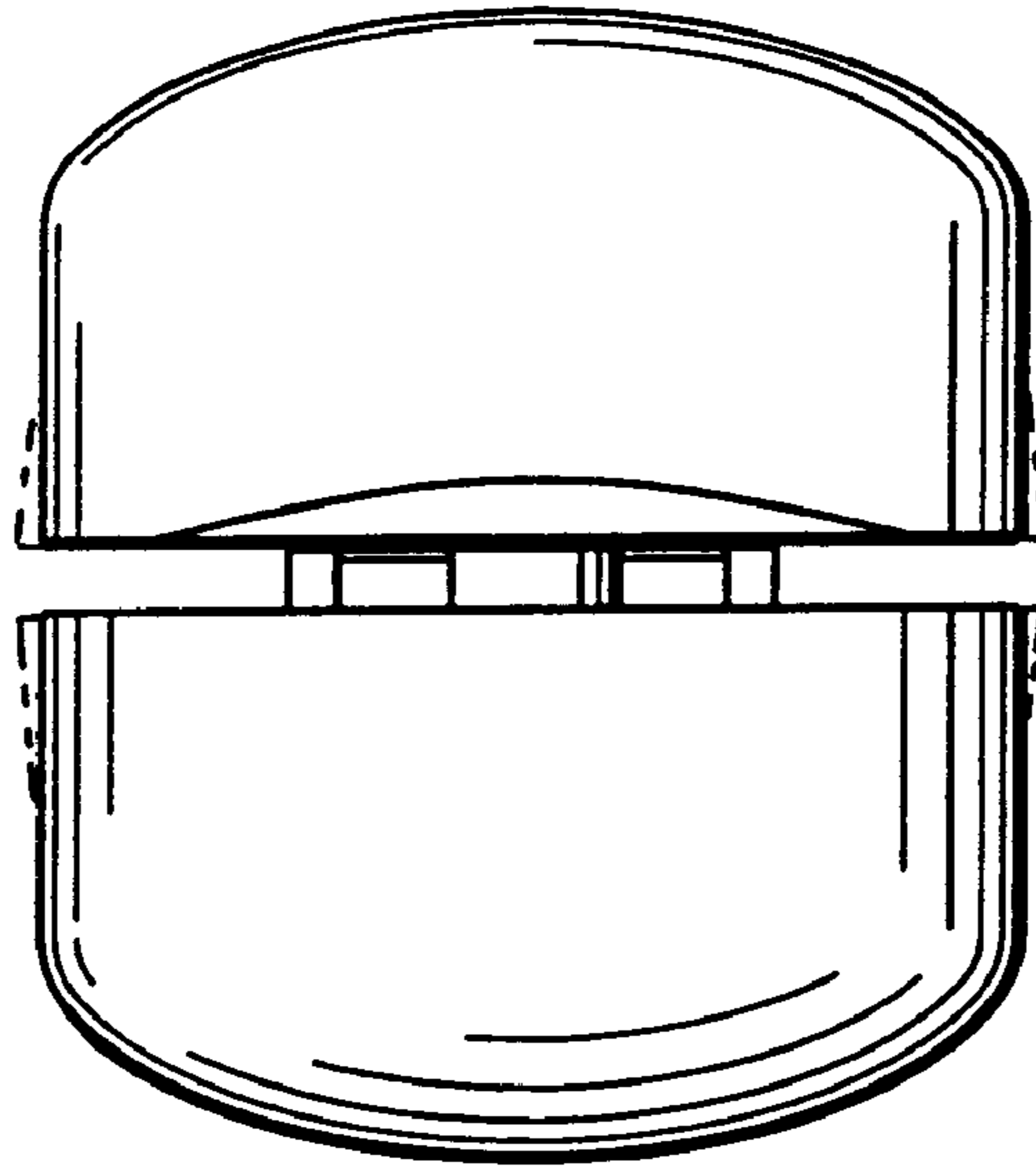
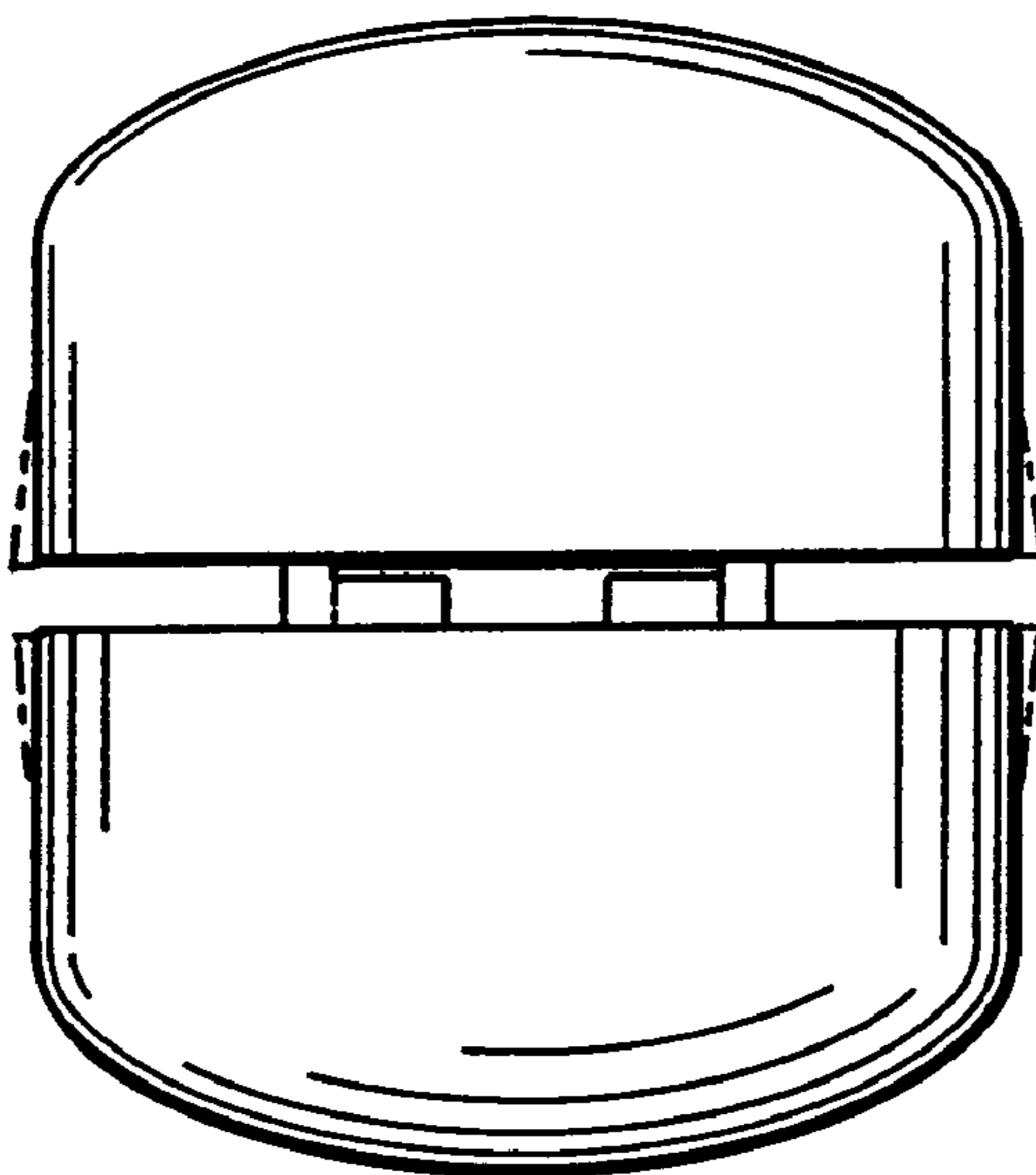


Fig. 24



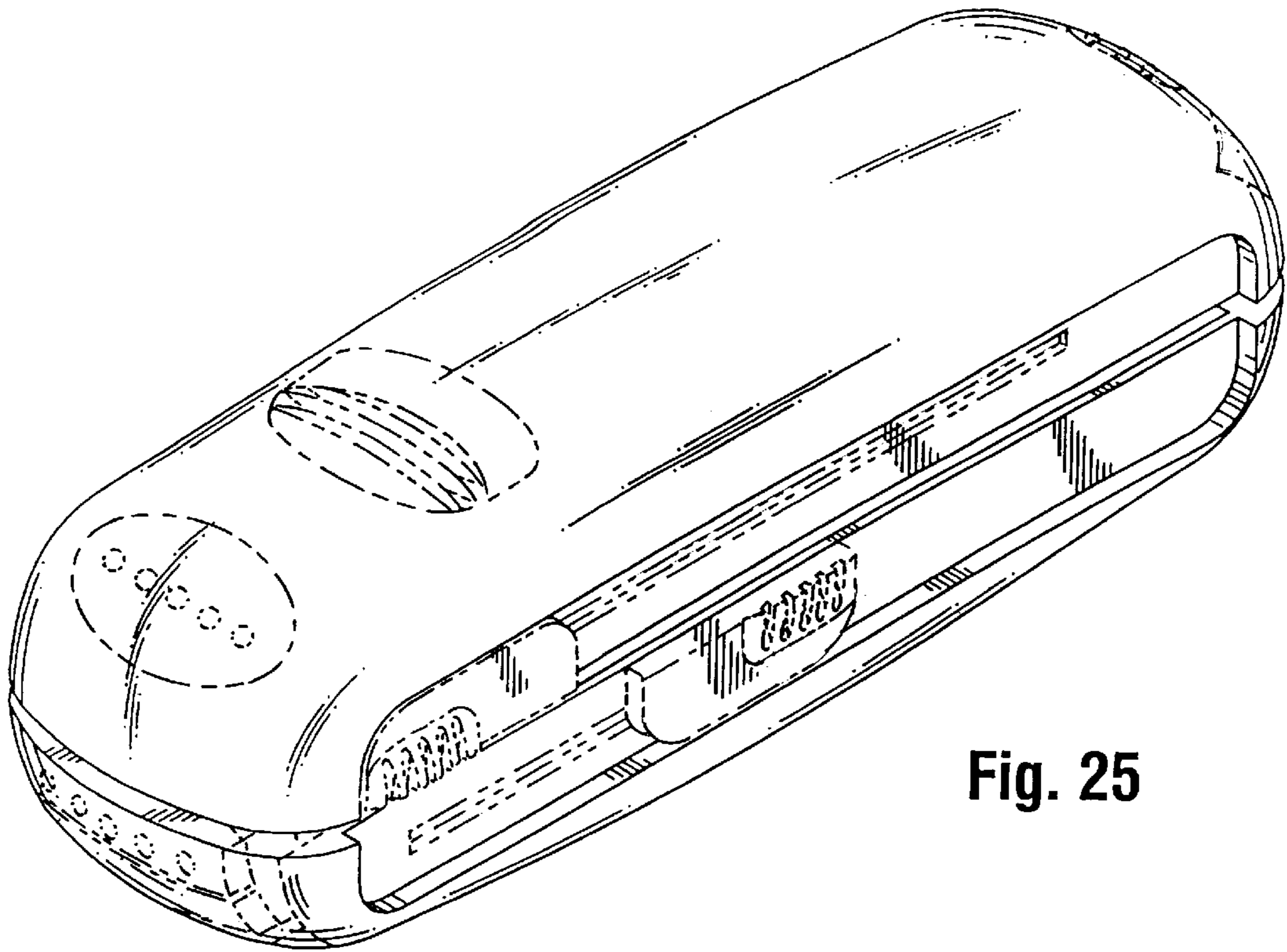


Fig. 25

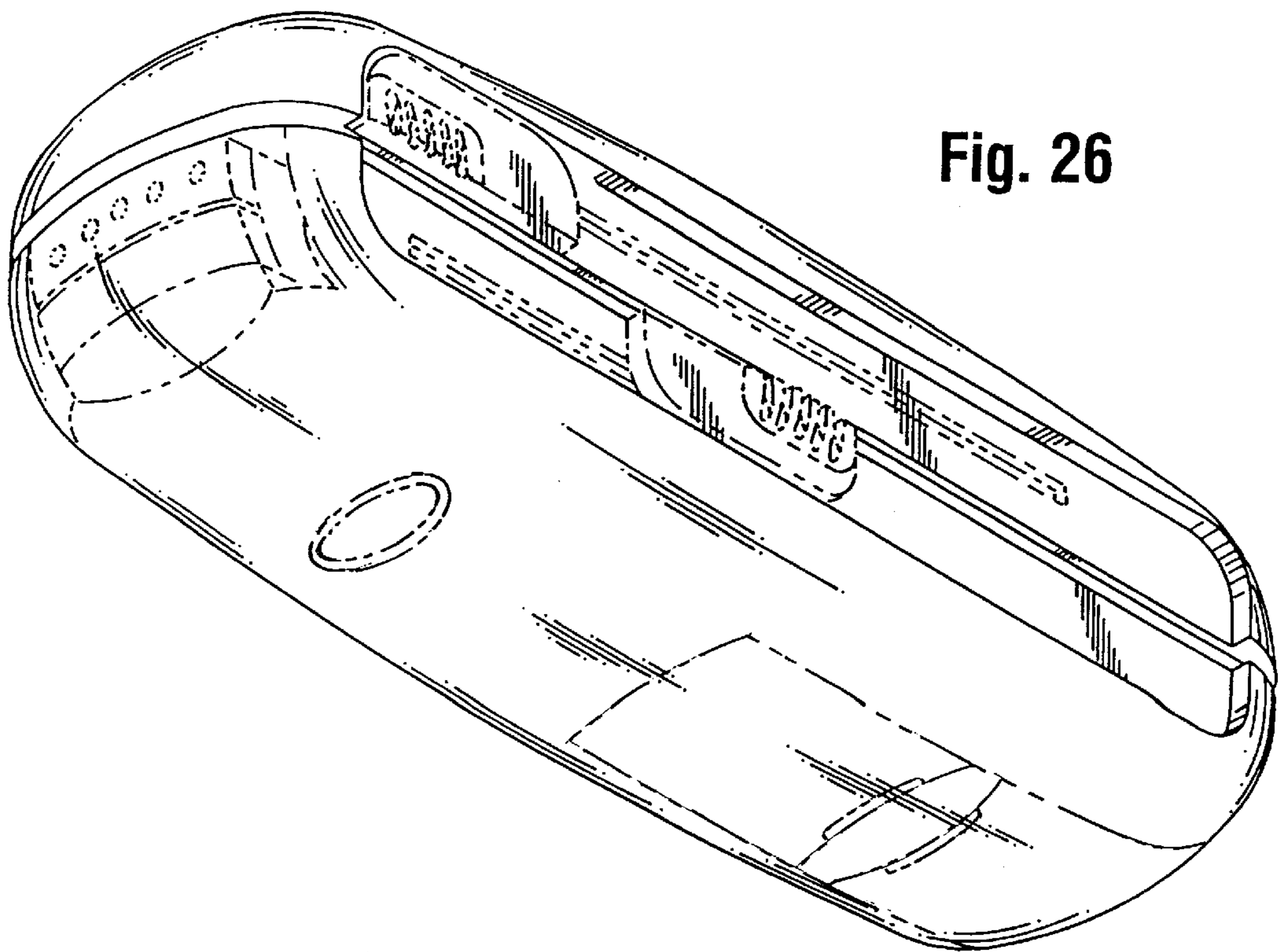


Fig. 26

Fig. 27

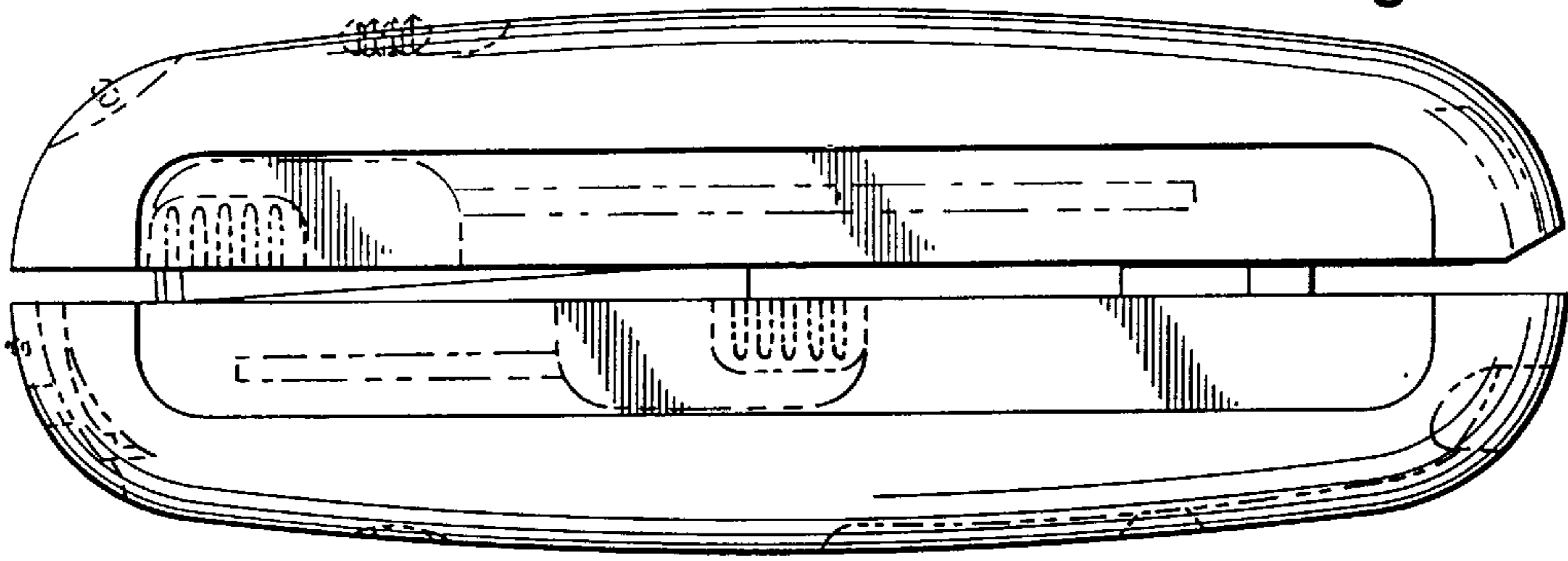


Fig. 28

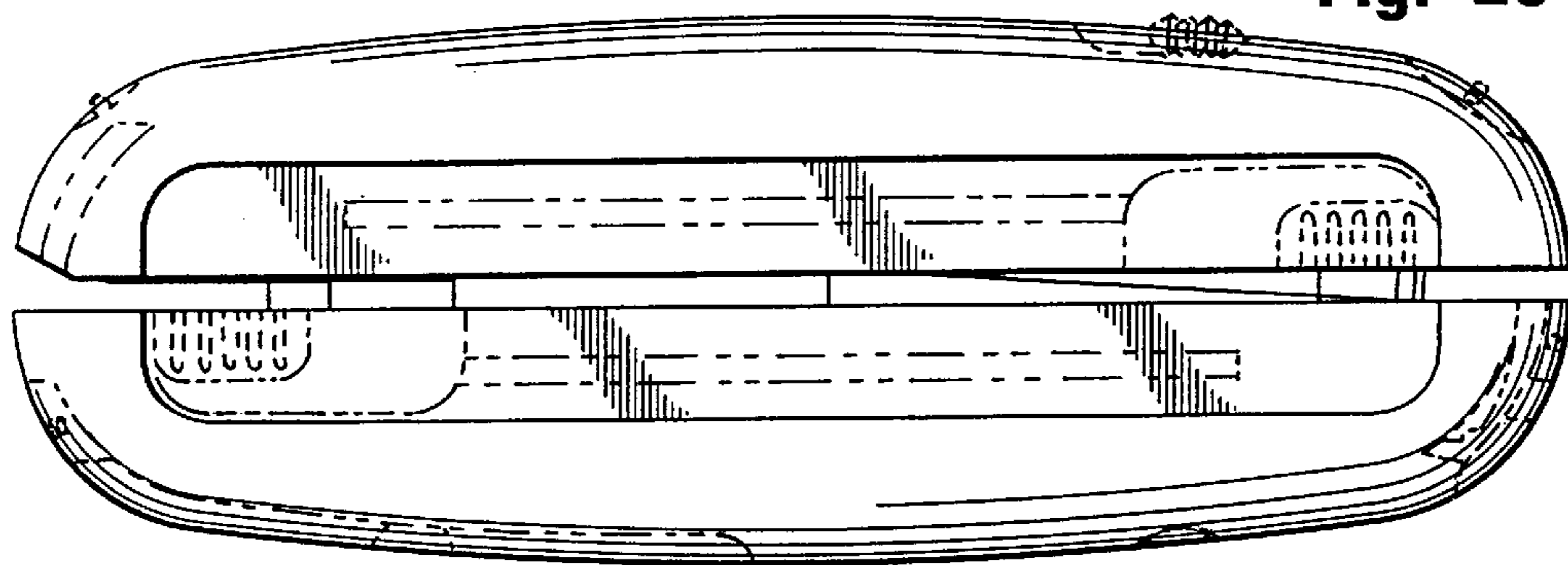


Fig. 29

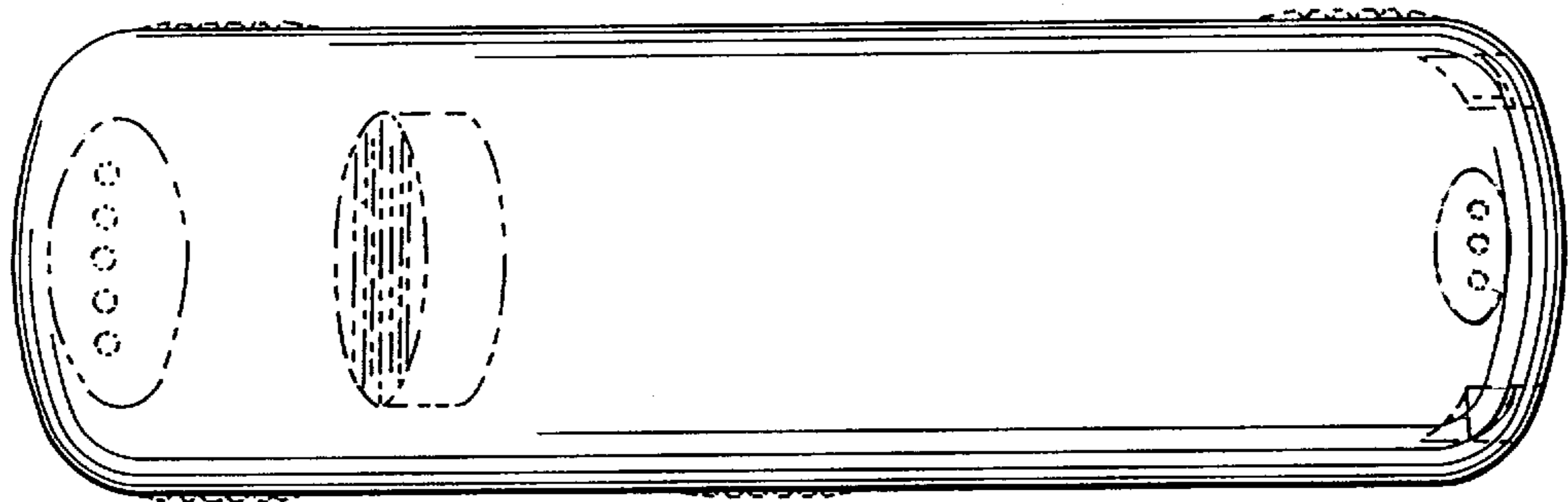


Fig. 30

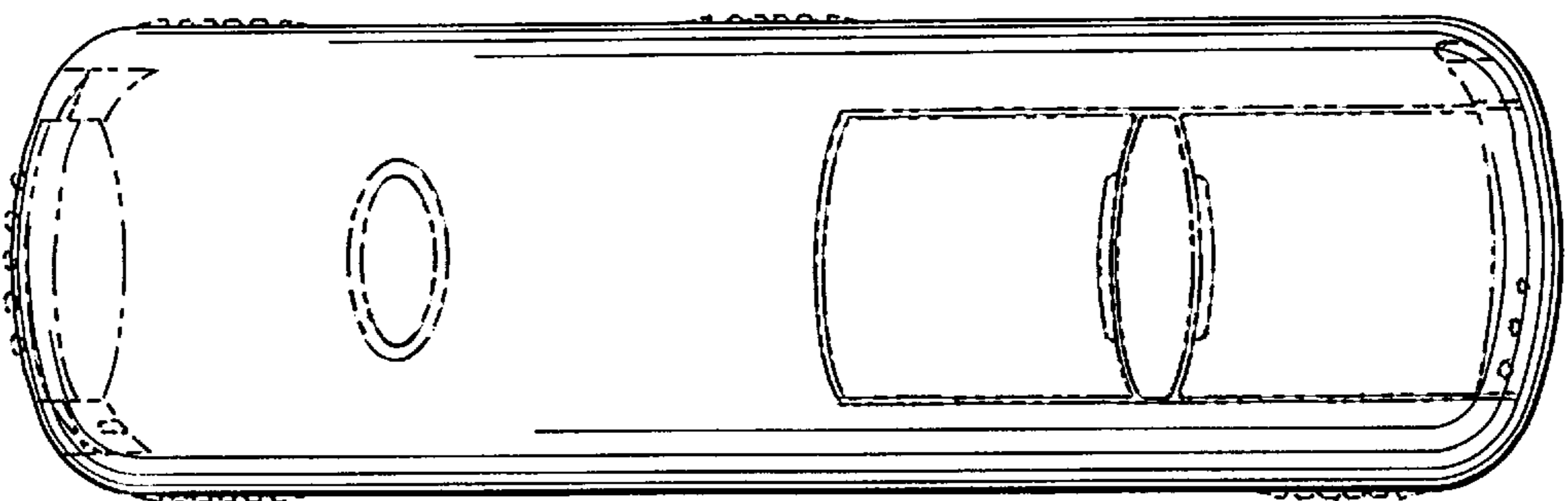


Fig. 31

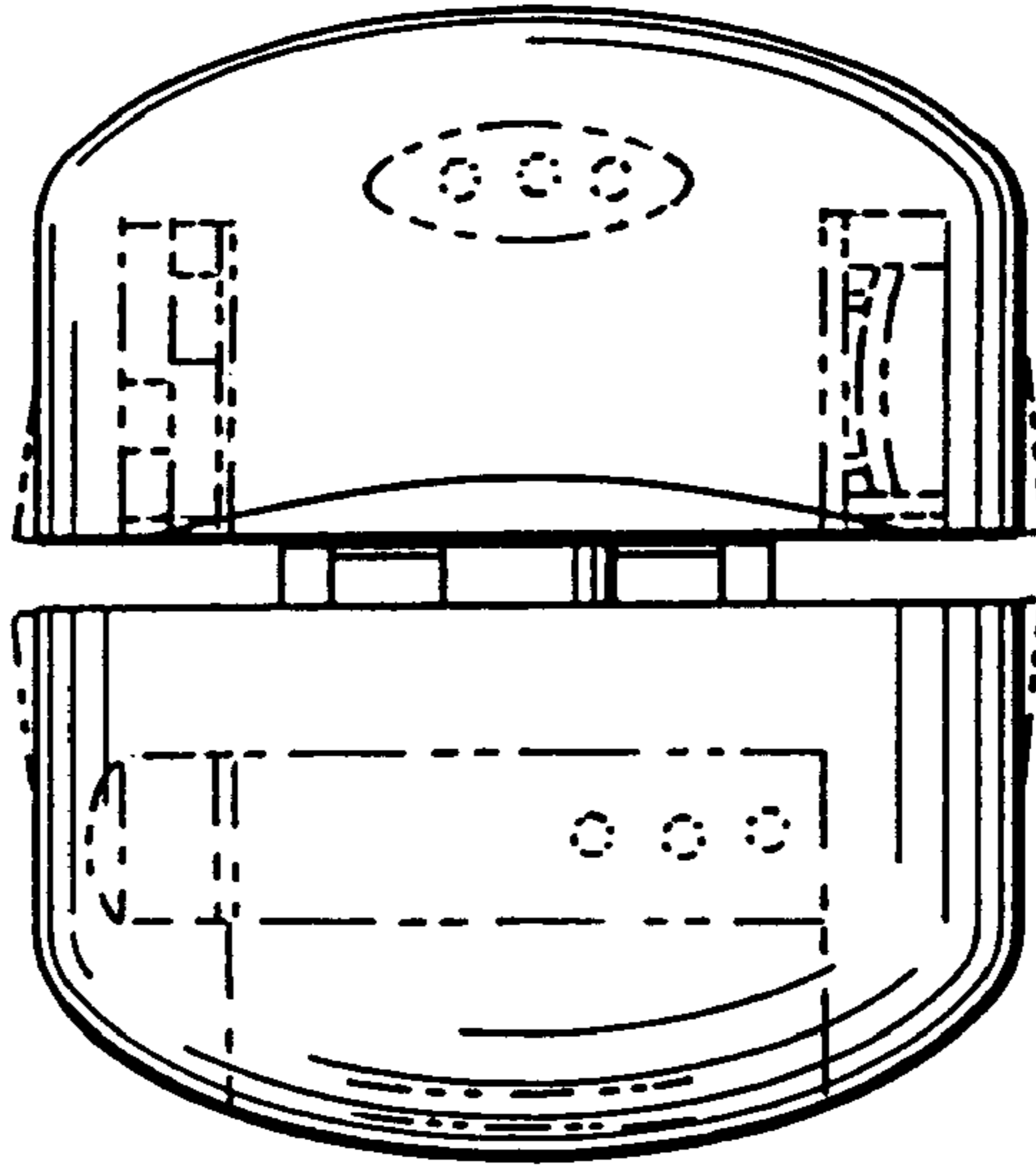
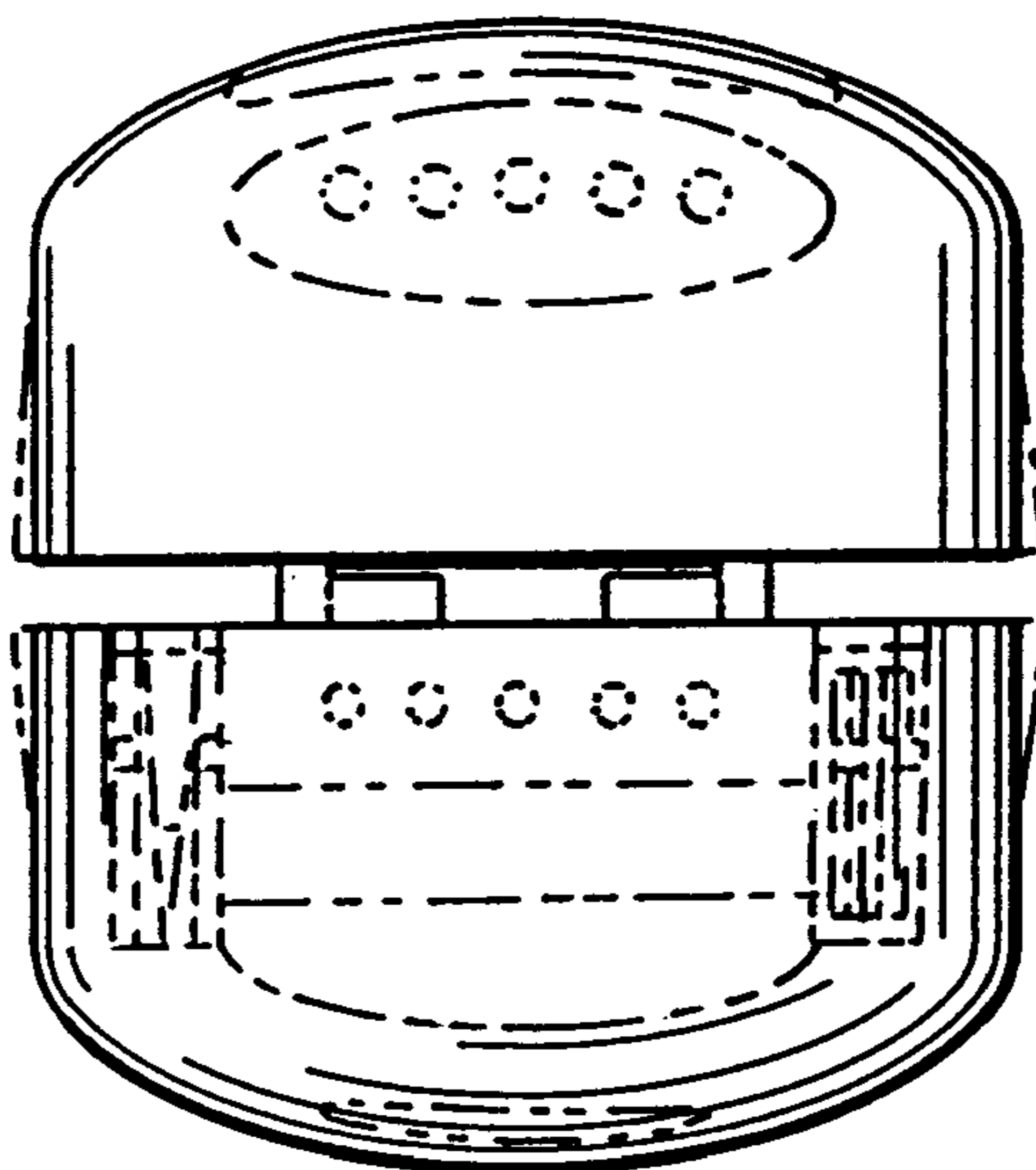


Fig. 32



UNITED STATES PATENT AND TRADEMARK OFFICE
CERTIFICATE OF CORRECTION

PATENT NO. : Des 437,615 S
DATED : February 13, 2001
INVENTOR(S) : Hanspeter Leins

Page 1 of 1

It is certified that error appears in the above-identified patent and that said Letters Patent is hereby corrected as shown below:

Title page,

Item [56], FOREIGN PATENT DOCUMENTS, insert the following:

-- DT 26 25 749	12/1977	(DE)
PA 190350-3458	06/1958	(DE)
41 10 688	09/1991	(DE)
2196896A	04/1988	(GB)
WO 84/01739	05/1984	(WIPO) --.

Signed and Sealed this

Second Day of July, 2002

Attest:



Attesting Officer

JAMES E. ROGAN
Director of the United States Patent and Trademark Office