



US00D437613S

(12) **United States Design Patent**
Melnyk

(10) **Patent No.:** **US D437,613 S**

(45) **Date of Patent:** **** Feb. 13, 2001**

(54) **BOOKMARK**

(75) **Inventor:** **Blaine Melnyk, Nanaimo (CA)**

(73) **Assignee:** **Last Line Bookmark, Inc., British Columbia (CA)**

(**) **Term:** **14 Years**

(21) **Appl. No.:** **29/104,222**

(22) **Filed:** **Apr. 30, 1999**

(51) **LOC (7) Cl.** **19-99**

(52) **U.S. Cl.** **D19/34; D19/65; D19/86; D8/395**

(58) **Field of Search** **D8/394, 395; D19/36, D19/34, 65, 83, 86, 90, 91; 281/15.1, 42, 45, 51; 116/234-236, 237, 238, 239, 240; 24/67 R-67.11, 455, 547, 563**

(56) **References Cited**

U.S. PATENT DOCUMENTS

- D. 46,001 * 6/1914 Meguiar D19/65 X
- D. 314,012 * 1/1991 Klodt D19/65
- D. 352,963 * 11/1994 Siler D19/83

- D. 394,454 * 5/1998 Williams et al. D19/34
- D. 408,447 * 4/1999 Base et al. D19/34
- 1,601,832 * 10/1926 Jackson 116/236
- 2,478,376 * 8/1949 De Swart 24/67.9
- 3,090,347 * 5/1963 Hamett, Jr. 116/237

* cited by examiner

Primary Examiner—Martie K. Holtje

(74) *Attorney, Agent, or Firm*—Burns Doane Swecker & Mathis L.L.P.

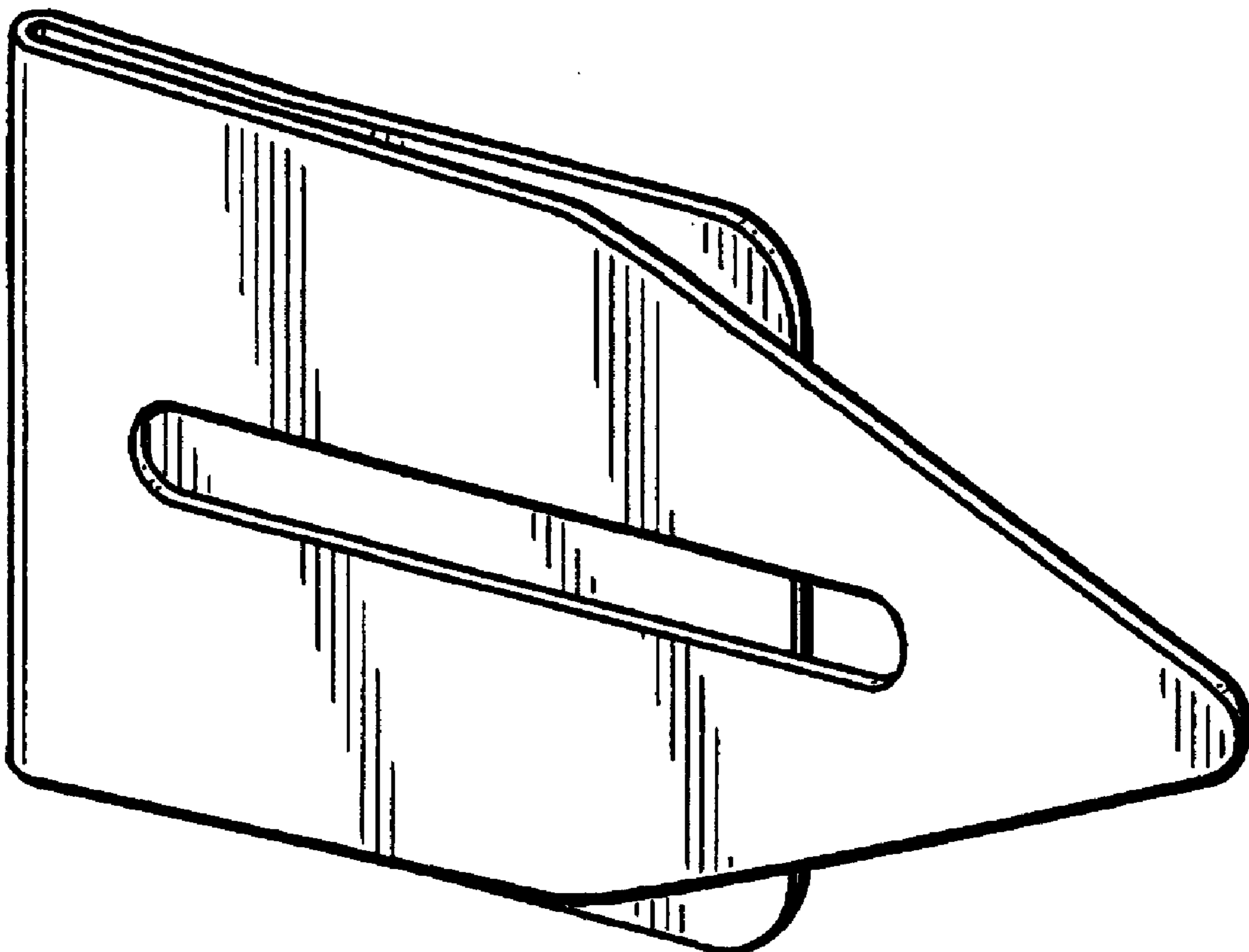
(57) **CLAIM**

The ornamental design for a bookmark, as shown and described.

DESCRIPTION

FIG. 1 is a perspective view of a bookmark showing my new design;
 FIG. 2 is a front elevational view thereof;
 FIG. 3 is a top view thereof, the bottom view being substantially a mirror image;
 FIG. 4 is a rear view thereof;
 FIG. 5 is a left side view thereof; and,
 FIG. 6 is a right side view thereof.

1 Claim, 1 Drawing Sheet



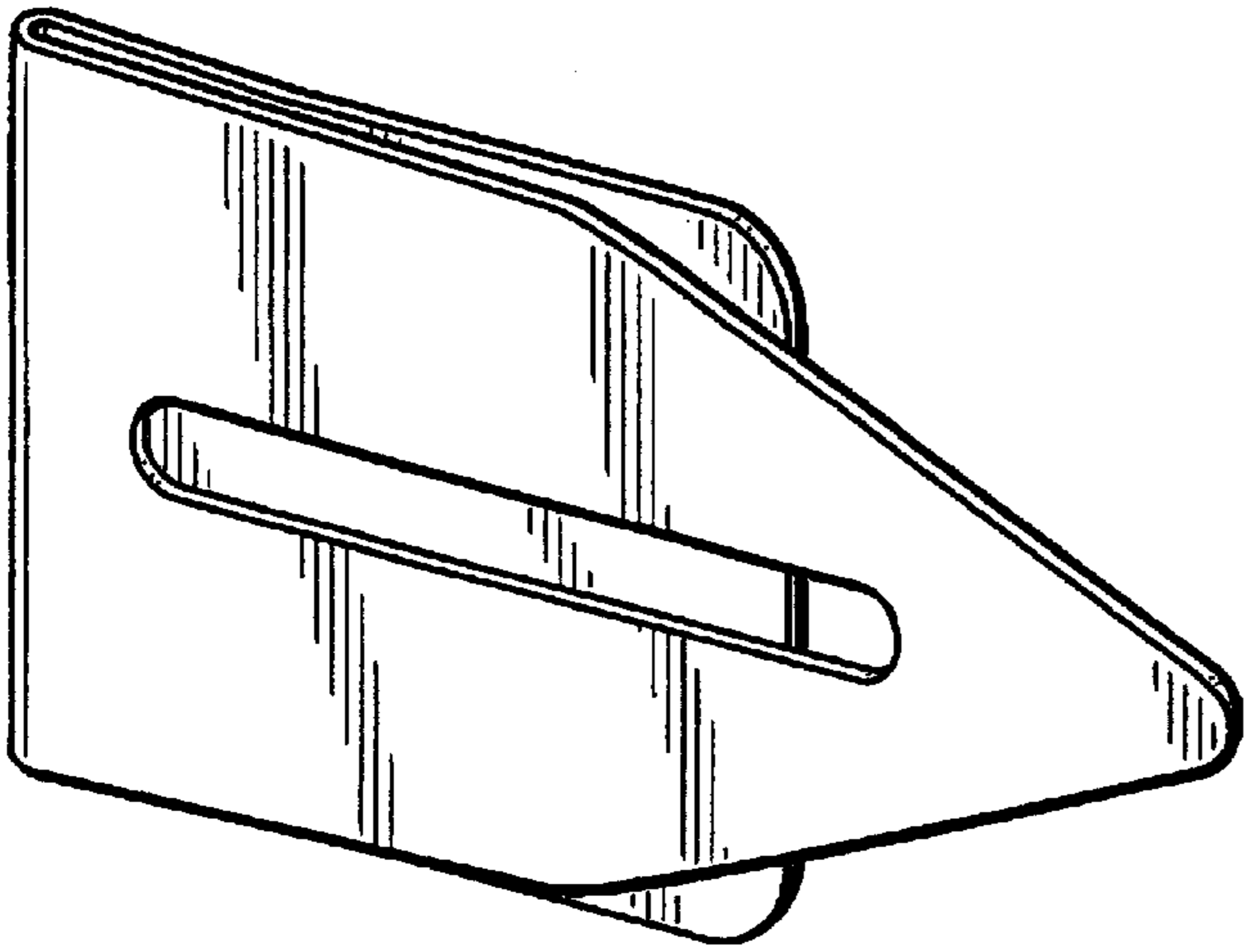


FIG._1



FIG._5

FIG._6

FIG._2

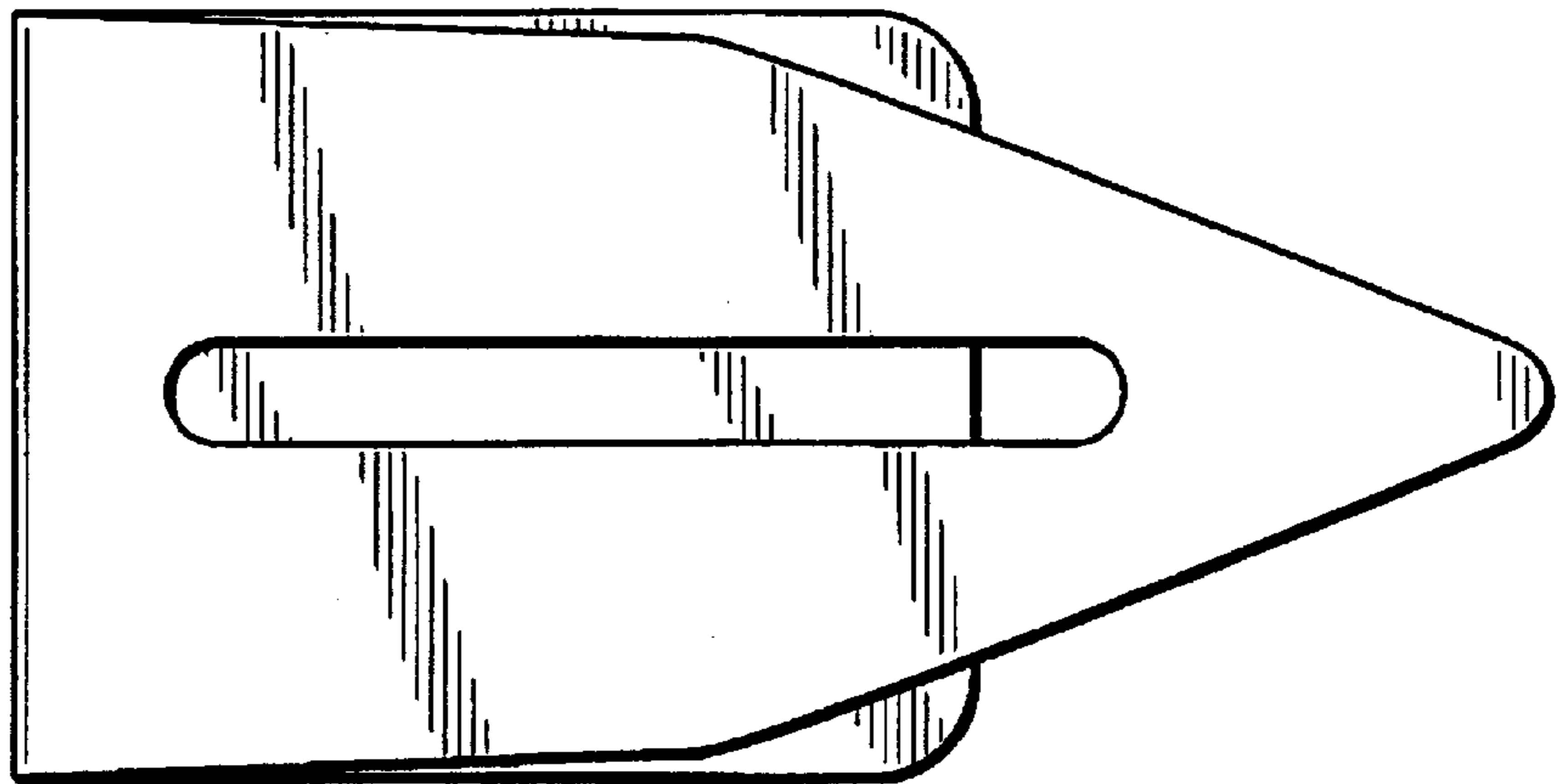
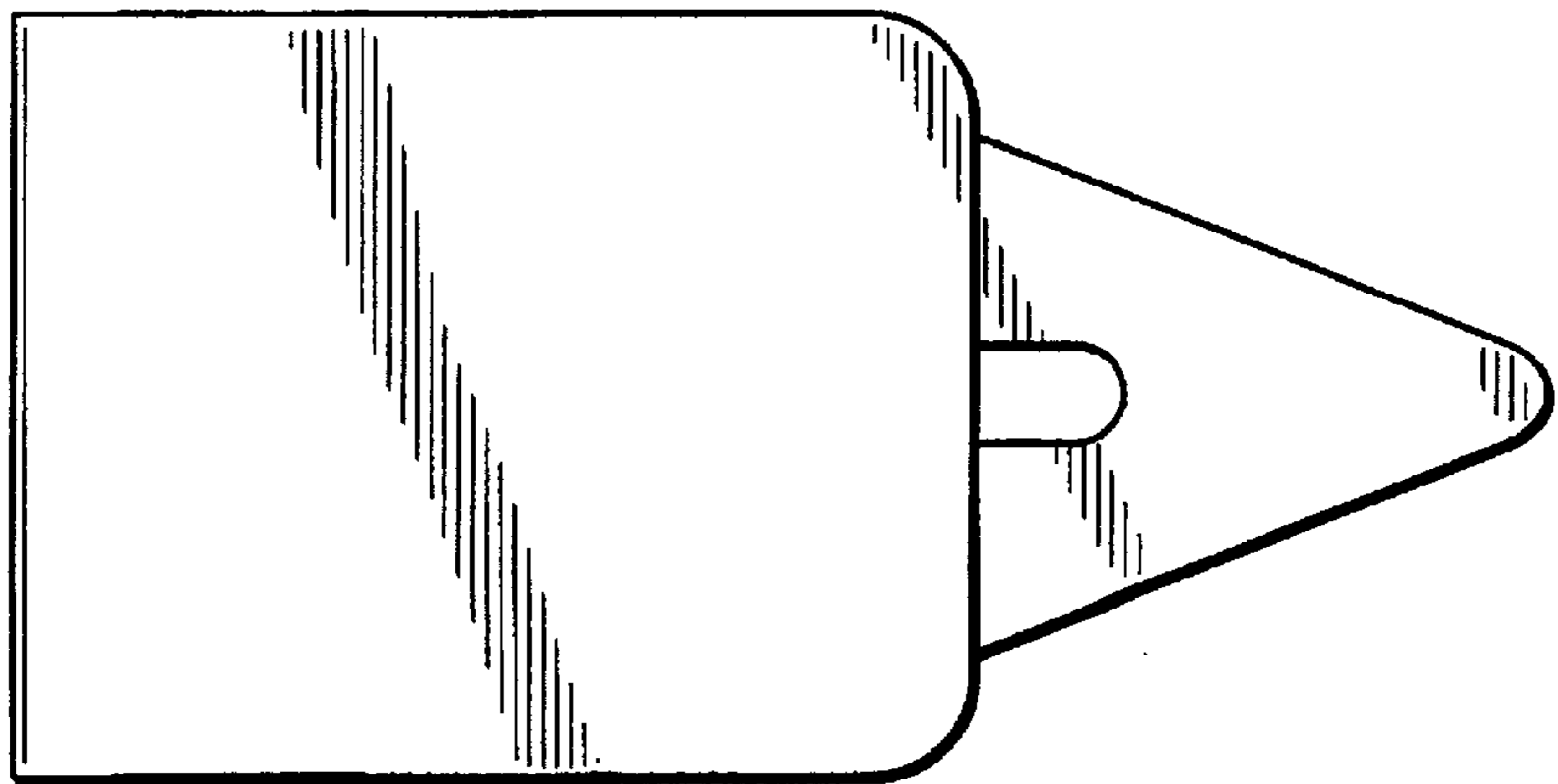


FIG._3



FIG._4



UNITED STATES PATENT AND TRADEMARK OFFICE
CERTIFICATE OF CORRECTION

PATENT NO. : Des. 437,613 S
DATED : February 13, 2001
INVENTOR(S) : Blaine Melnyk

Page 1 of 2

It is certified that error appears in the above-identified patent and that said Letters Patent is hereby corrected as shown below:

Title page,

Item [56], U.S. PATENT DOCUMENTS, please add the following references:

-- 2,108,494	1/15/38	Lansing
2,543,182	2/27/51	Lang
2,630,777	3/10/53	Johnson
3,266,456	8/16/66	O'Reilly
3,583,358	6/8/71	Hanson
4,024,832	5/24/77	Machnikowski
4,186,683	2/5/80	Leroy
4,898,115	2/6/90	Bowlat-Williams
4,901,665	2/20/90	Carlin
5,081,948	1/21/92	Walsh
5,101,756	4/7/92	Strumbos
5,325,811	7/5/94	Miroyan
5,437,240	8/1/95	Miroyan
5,577,459	11/26/96	Alden
5,632,225	5/27/97	Krasner
5,803,012	9/8/98	Kamen --

FOREIGN PATENT DOCUMENTS

-- 0,206,488	12/14/20	Canada
0,480,952	2/12/52	Canada
0,530,092	9/11/56	Canada
67157	10/19/90	Canada
17455	10/27/80	Canada
47454	10/27/80	Canada
1,144,205	4/5/83	Canada
1,194,516	10/1/85	Canada

UNITED STATES PATENT AND TRADEMARK OFFICE
CERTIFICATE OF CORRECTION

PATENT NO. : Des. 437,613 S
DATED : February 13, 2001
INVENTOR(S) : Blaine Melnyk

Page 2 of 2

It is certified that error appears in the above-identified patent and that said Letters Patent is hereby corrected as shown below:

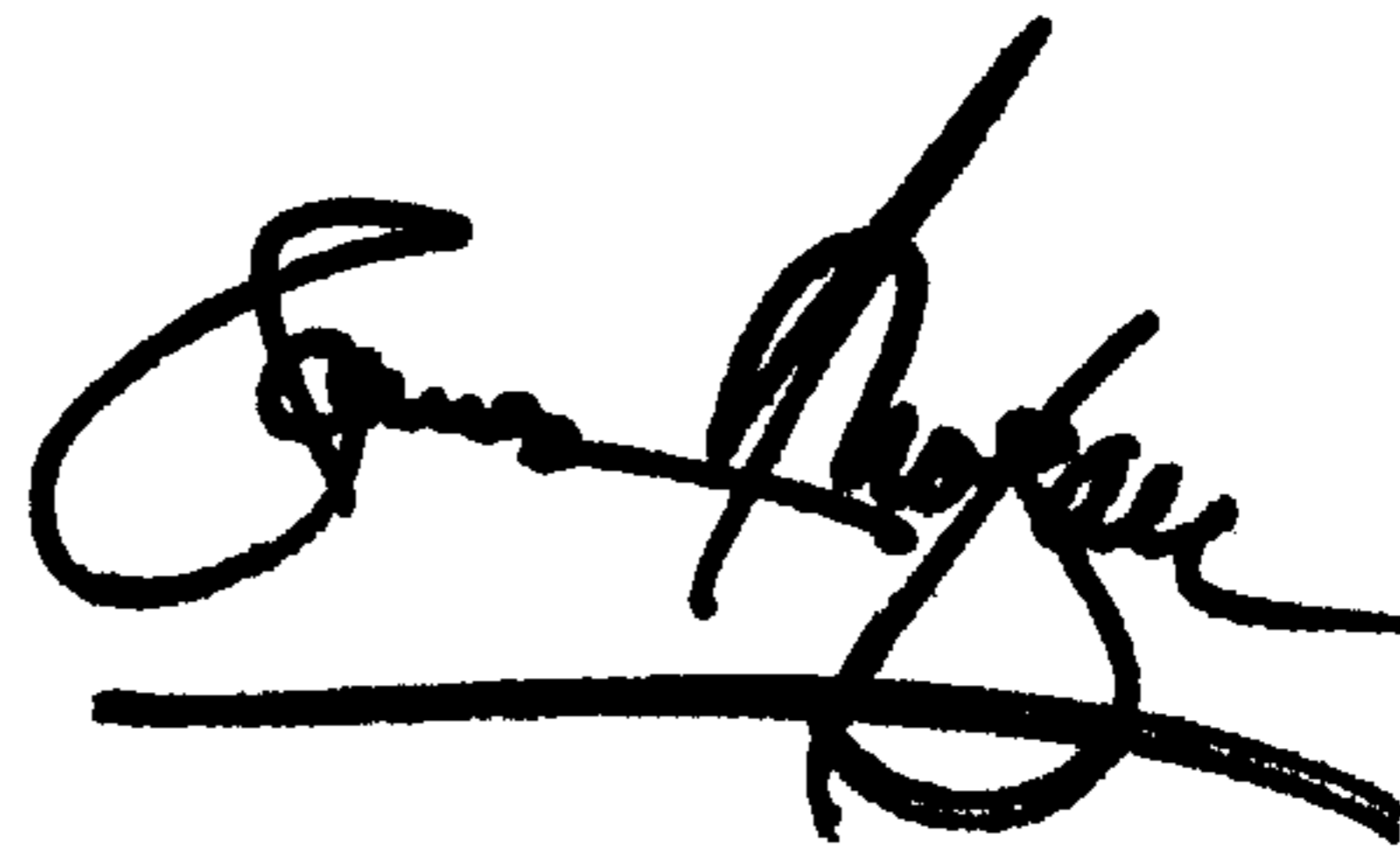
FOREIGN PATENT DOCUMENTS (Cont'd)

62229	1/3/89	Canada
64408	9/27/89	Canada
70747	6/2/92	Canada
1,336,290	7/11/95	Canada
77822	1/4/96	Canada
2,097,773	6/4/93	Canada --

Signed and Sealed this

Third day of September, 2002

Attest:



Attesting Officer

JAMES E. ROGAN
Director of the United States Patent and Trademark Office