



US00D437611S

(12) **United States Design Patent**  
**Gassett et al.**

(10) **Patent No.:** **US D437,611 S**

(45) **Date of Patent:** **\*\* Feb. 13, 2001**

(54) **INK CARTRIDGE FOR PRINTER**

(75) Inventors: **John Wayne Gassett; Steven Robert Komplin**, both of Lexington, KY (US)

(73) Assignee: **Lexmark International, Inc.**, Lexington, KY (US)

(\*\*) Term: **14 Years**

(21) Appl. No.: **29/118,430**

(22) Filed: **Feb. 8, 2000**

(51) **LOC (7) Cl.** ..... **14-02**

(52) **U.S. Cl.** ..... **D18/56; 347/86**

(58) **Field of Search** ..... **D18/56; 347/86, 347/87**

D. 424,612	*	5/2000	Inoue et al. ....	D18/56
D. 430,897	*	9/2000	Bishop et al. ....	D18/56
4,931,811		6/1990	Cowger et al. .	
5,450,112		9/1995	Scheffelin .	
5,467,117		11/1995	Evans et al. .	
5,467,118		11/1995	Gragg et al. .	
5,502,479		3/1996	Ishinaga et al. .	
5,504,513		4/1996	Nobel et al. .	
5,515,092		5/1996	Swanson et al. .	
5,526,030		6/1996	Baldwin et al. .	
5,600,358		2/1997	Baldwin et al. .	
5,949,458	*	9/1999	Studholme .....	347/86
5,953,030	*	9/1999	Ishinaga et al. ....	347/86
6,042,224	*	3/2000	Oda et al. ....	347/86
6,045,218	*	4/2000	Tajima et al. ....	347/86
6,070,976	*	6/2000	Takagi et al. ....	347/86
6,082,852	*	7/2000	Soga et al. ....	347/86

**FOREIGN PATENT DOCUMENTS**

419189 3/1991 (EP) .

\* cited by examiner

*Primary Examiner*—Cathy Anne MacCormac  
(74) *Attorney, Agent, or Firm*—Michael T. Sanderson

(57) **CLAIM**

The ornamental design for an ink cartridge for printer, as shown and described.

**DESCRIPTION**

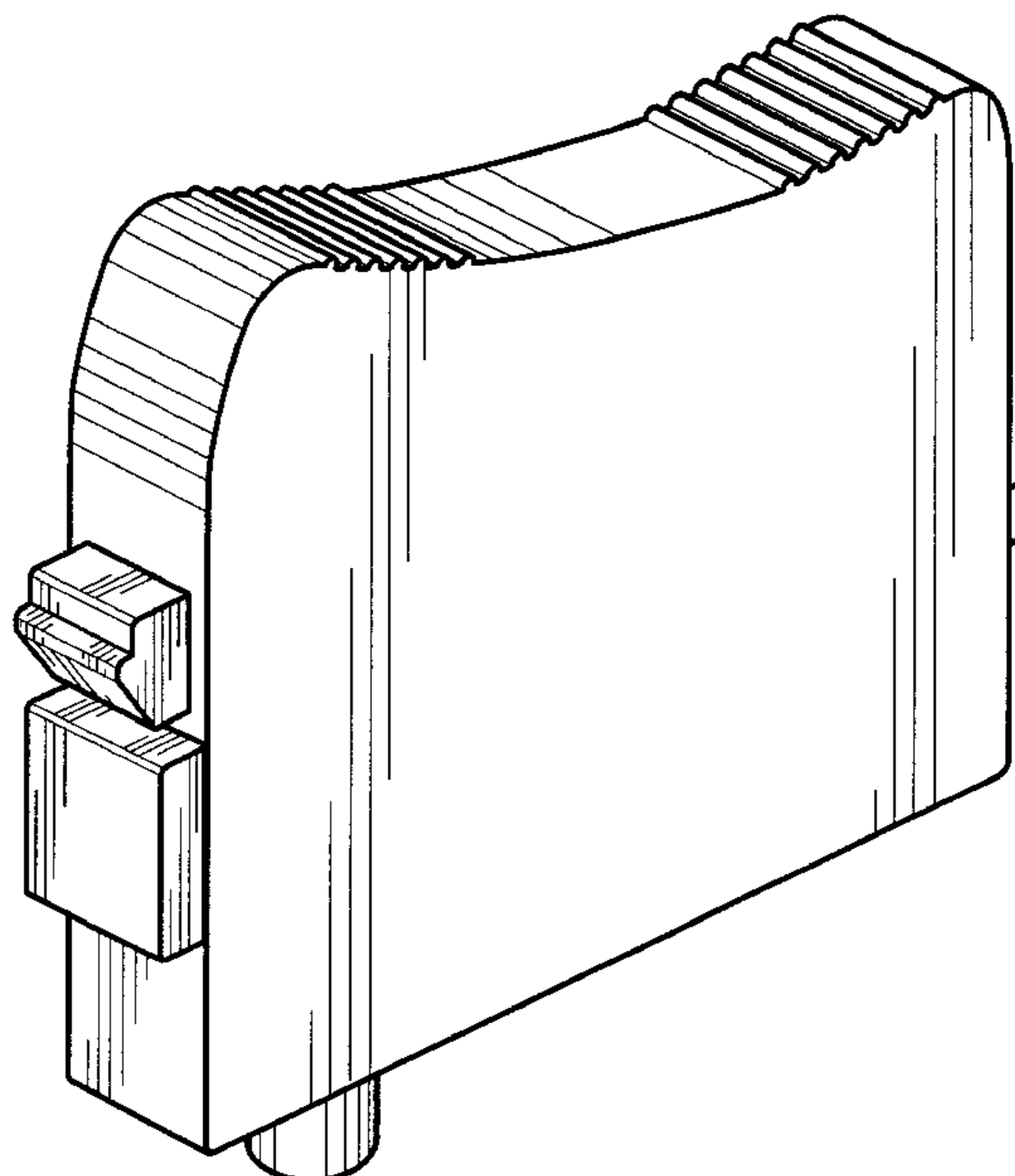
FIG. 1 is a top, front right side perspective view of an ink cartridge for printer in accordance with our new design; FIG. 2 is a right side view thereof; FIG. 3 is a left side view thereof; FIG. 4 is a rear view thereof; FIG. 5 is a front view thereof; FIG. 6 is a bottom view thereof; and, FIG. 7 is a top view thereof.

**1 Claim, 3 Drawing Sheets**

(56) **References Cited**

**U.S. PATENT DOCUMENTS**

D. 267,330	12/1982	Worrell .	
D. 279,581	7/1985	Juliana et al. .	
D. 314,973	2/1991	Yamamoto .	
D. 325,218	4/1992	La .	
D. 338,224	8/1993	Ujita .	
D. 338,235	8/1993	Komada et al. .	
D. 351,190	10/1994	Oshima et al. .	
D. 353,156	12/1994	Kaplinsky et al. .	
D. 361,343	8/1995	Kaplinsky et al. .	
D. 363,507	10/1995	Kashino et al. .	
D. 363,508	10/1995	Kashino et al. .	
D. 369,383	4/1996	Miyazawa et al. .	
D. 373,381	9/1996	Altendorf et al. .	
D. 375,523	11/1996	Murray .	
D. 386,203	* 11/1997	Tashiro et al. ....	D18/56
D. 391,289	2/1998	Inoue et al. .	
D. 392,312	3/1998	Inoue et al. .	
D. 395,916	7/1998	Inoue et al. .	
D. 400,574	11/1998	Inoue et al. .	
D. 423,569	* 4/2000	Gassett et al. ....	D18/56



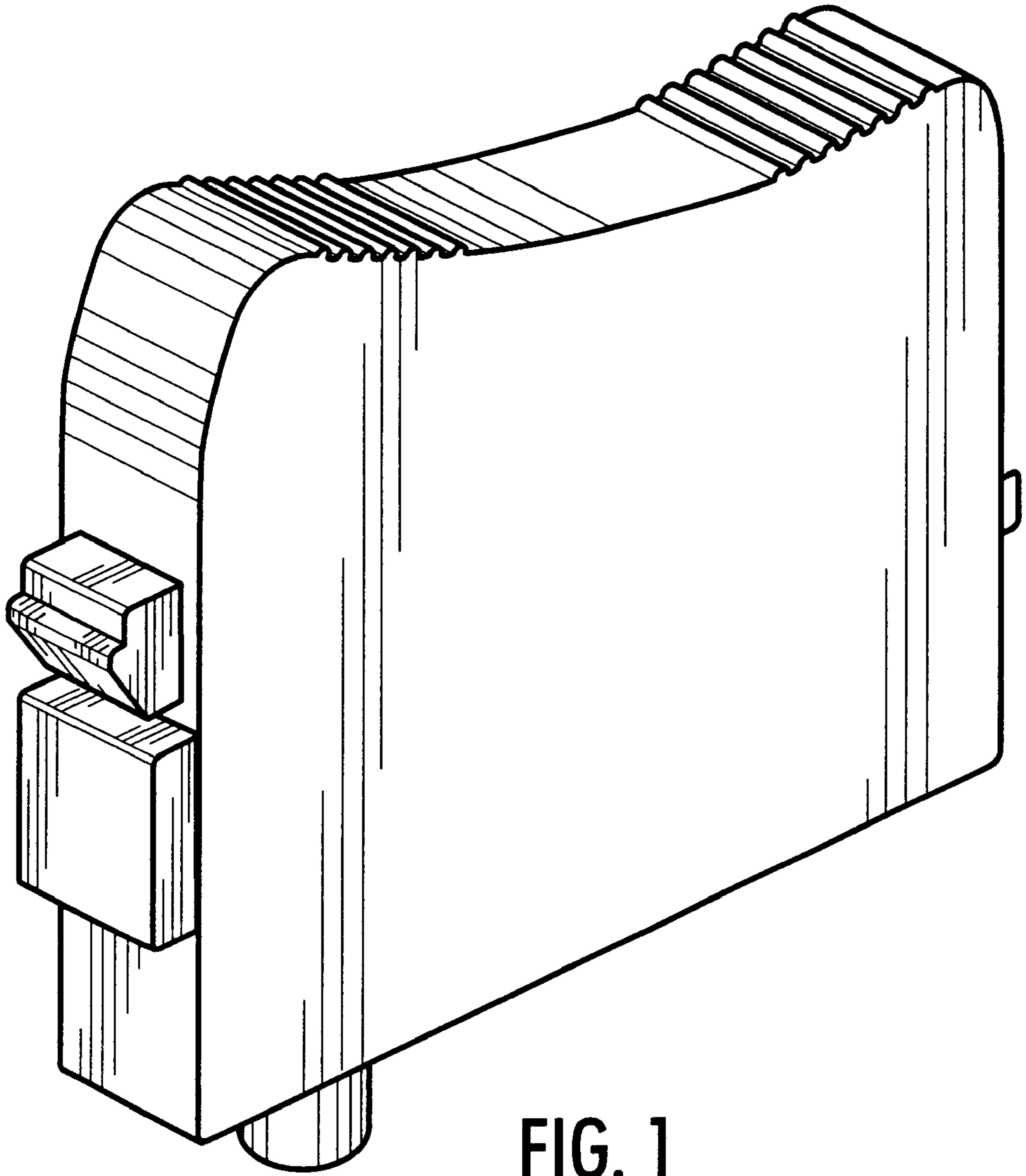


FIG. 1

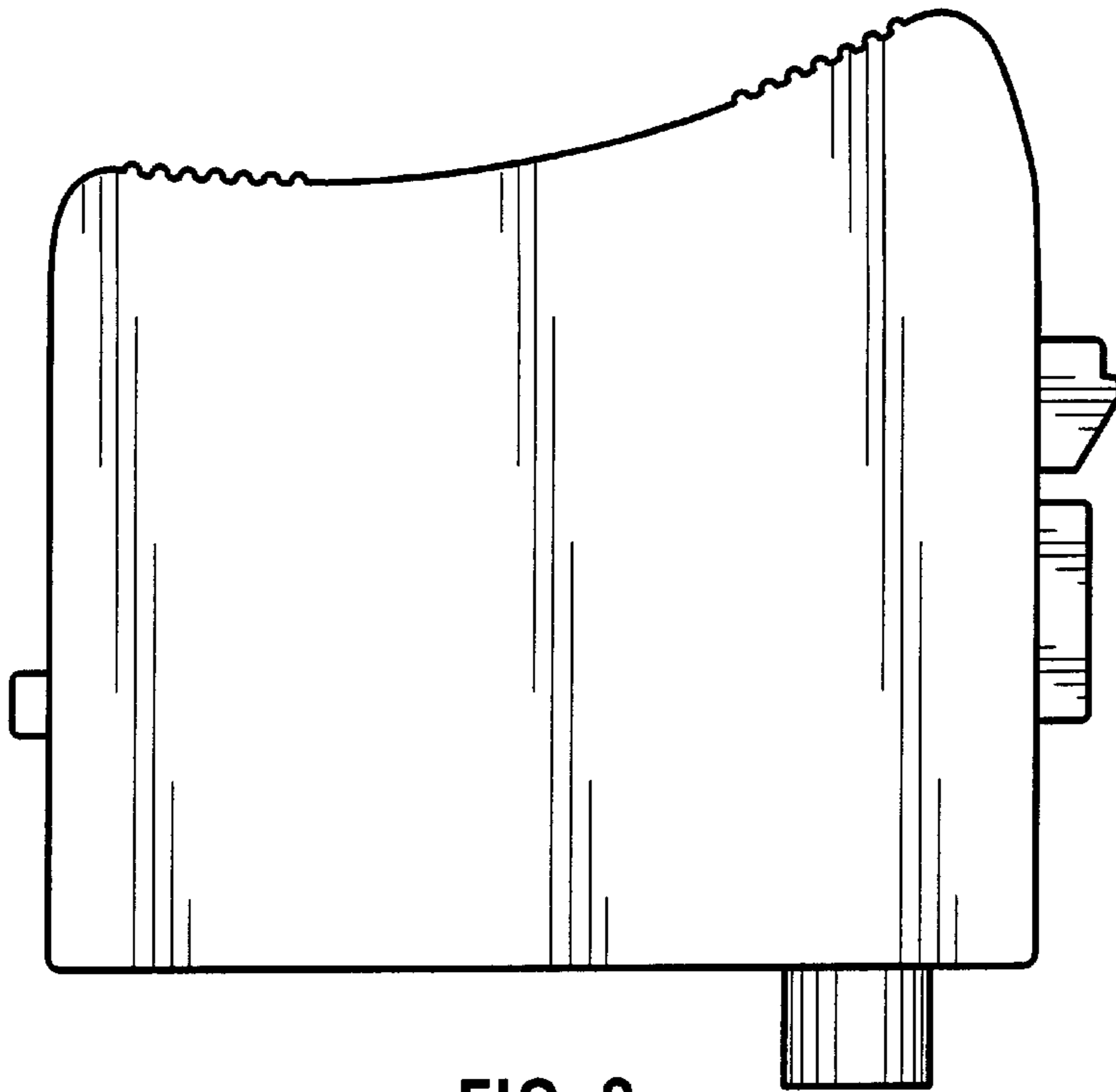


FIG. 3

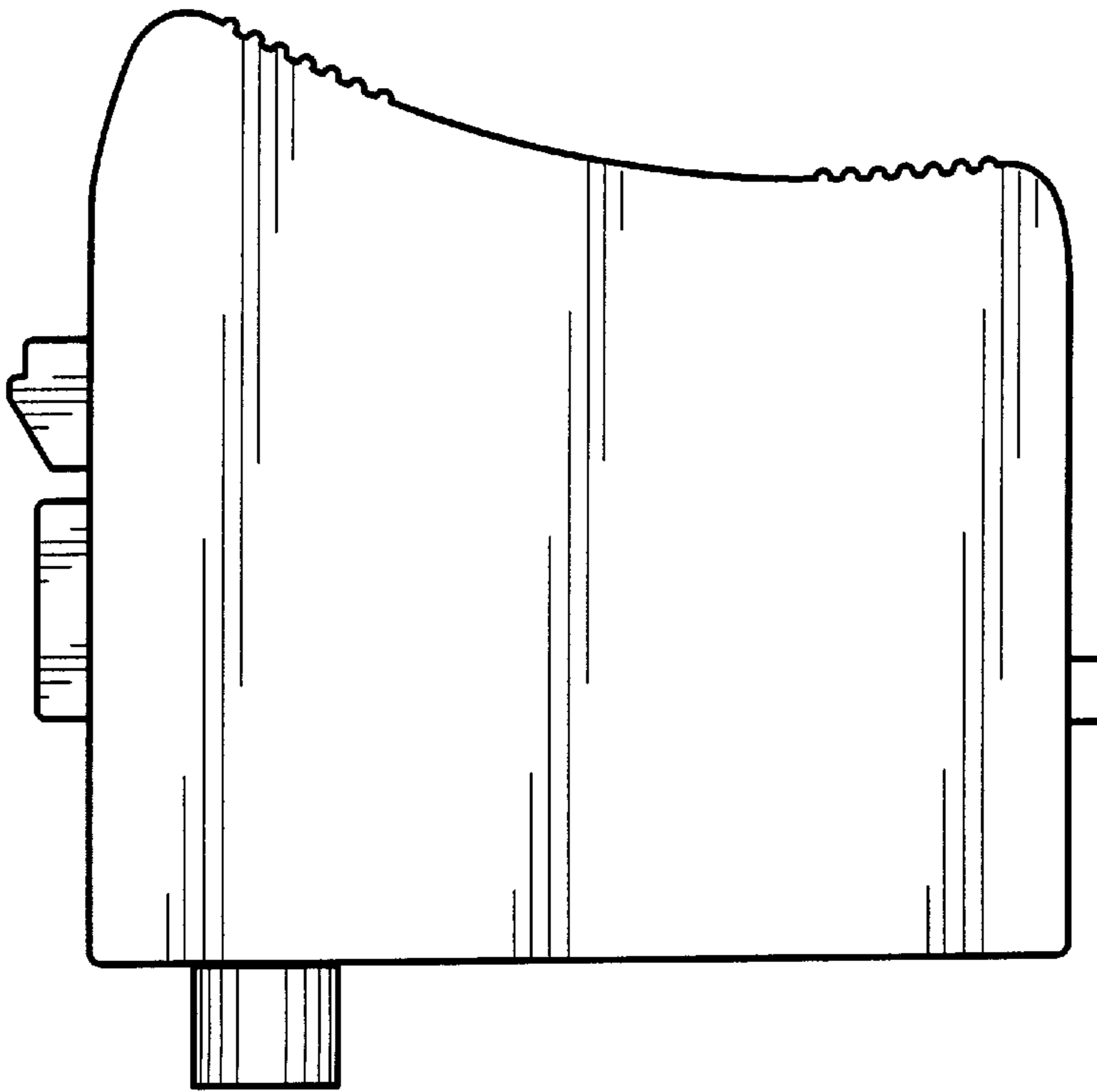


FIG. 2

FIG. 4

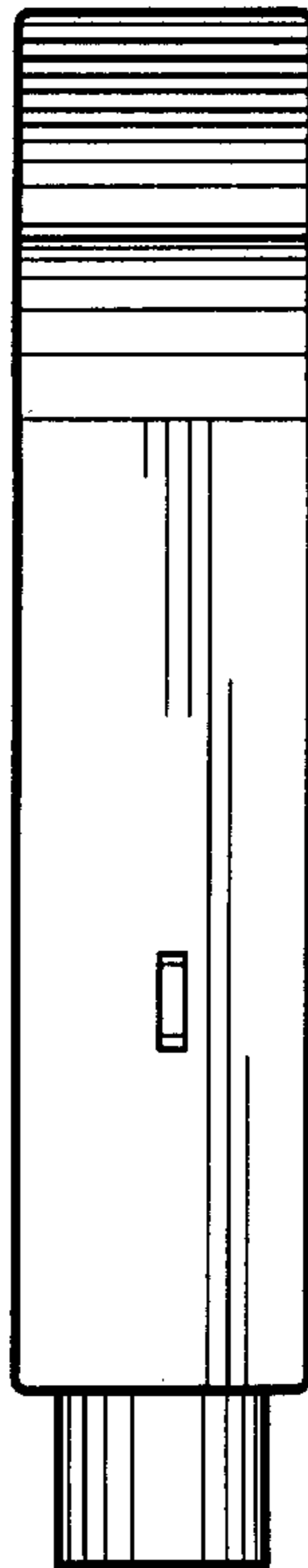


FIG. 5

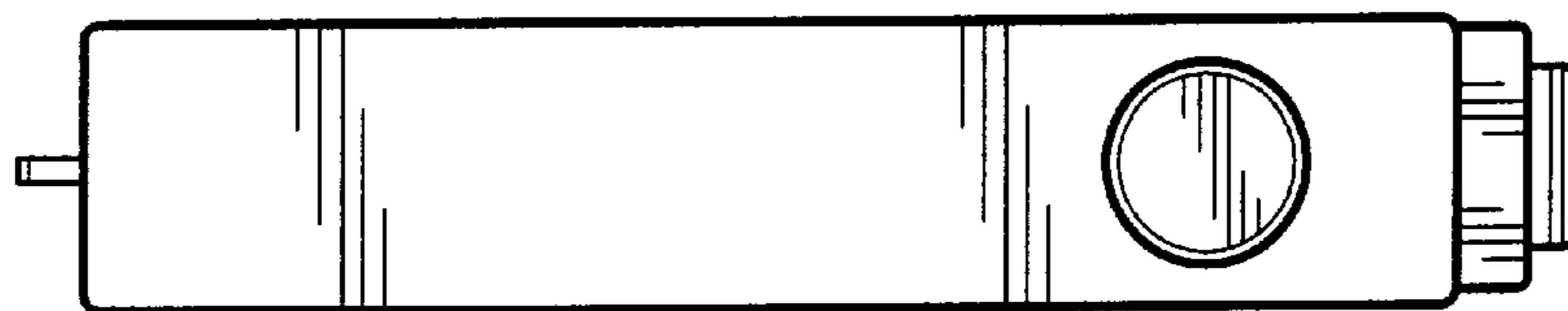
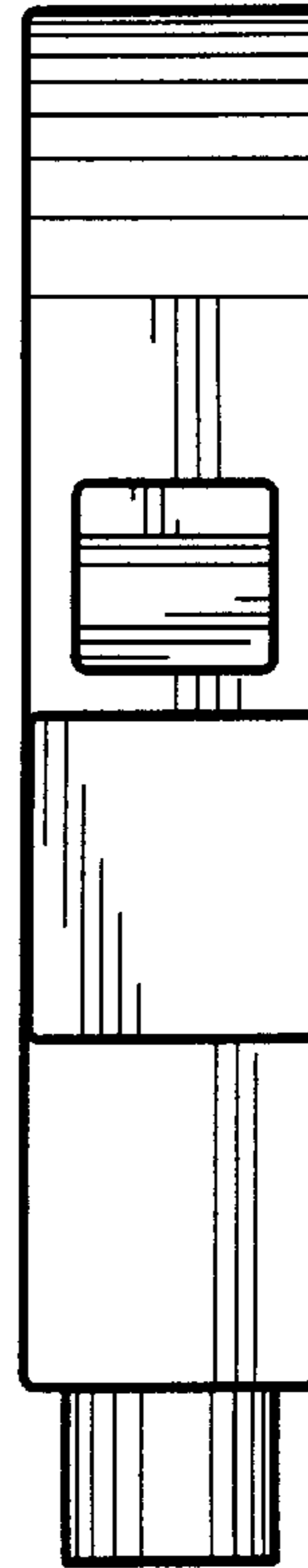


FIG. 6

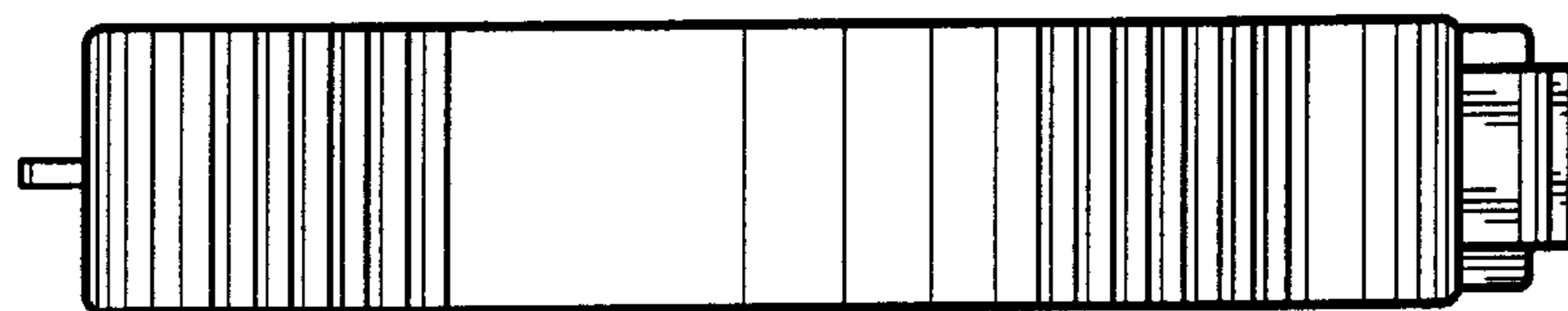


FIG. 7