



US00D437610S

(12) **United States Design Patent**  
**Gasvoda et al.**

(10) **Patent No.: US D437,610 S**

(45) **Date of Patent: \*\* Feb. 13, 2001**

(54) **FLUID CONTAINER**

(75) Inventors: **Eric L. Gasvoda**, Salem; **Susan M. Hmelar**, Corvallis, both of OR (US)

(73) Assignee: **Hewlett-Packard Company**, Palo Alto, CA (US)

(\*\*) Term: **14 Years**

(21) Appl. No.: **29/086,375**

(22) Filed: **Apr. 9, 1998**

**Related U.S. Application Data**

(63) Continuation-in-part of application No. 08/566,521, filed on Dec. 4, 1995, now abandoned, and a continuation-in-part of application No. 08/868,773, filed on Jun. 4, 1997, and a continuation-in-part of application No. 29/055,382, filed on Jun. 5, 1996, now Pat. No. Des. 416,573.

- (51) **LOC (7) Cl.** ..... **18-02**
- (52) **U.S. Cl.** ..... **D18/56**
- (58) **Field of Search** ..... D18/56; 347/86, 347/87

(56) **References Cited**

**U.S. PATENT DOCUMENTS**

- D. 368,275 \* 3/1996 Sakurai et al. .... D18/56
- D. 375,756 \* 11/1996 Murray et al. .... D18/56
- D. 378,660 \* 4/1997 Ota et al. .... D18/56
- D. 391,986 \* 3/1998 Steinmetz et al. .... D18/56
- D. 410,248 \* 5/1999 Gasvoda et al. .... D18/56
- D. 411,568 \* 6/1999 Steinmetz et al. .... D18/56
- 4,053,902 \* 10/1977 Skafvenstedt et al. .... 347/86
- 4,131,899 \* 12/1978 Christou ..... 347/87
- 4,183,031 \* 1/1980 Kyser et al. .... 347/86
- 4,551,734 \* 11/1985 Causley et al. .... 347/86
- 4,568,954 \* 2/1986 Rosback ..... 347/86
- 4,623,905 \* 11/1986 Ichihashi et al. .... 347/86
- 4,626,874 \* 12/1986 Murai et al. .... 347/86
- 4,831,389 \* 5/1989 Chan ..... 347/86
- 4,959,667 \* 9/1990 Kaplinsky ..... 347/87
- 4,982,200 \* 1/1991 Ramsey ..... 347/86
- 5,187,498 \* 2/1993 Burger ..... 347/86
- 5,216,452 \* 6/1993 Suzuki ..... 347/86

- 5,307,091 \* 4/1994 DeCoste, Jr. .... 347/86
- 5,359,356 \* 10/1994 Ecklund ..... 347/86
- 5,406,320 \* 4/1995 Durst et al. .... 347/86

(List continued on next page.)

**FOREIGN PATENT DOCUMENTS**

- 000649429 \* 8/1991 (AU) ..... 347/86
- 000560266 \* 9/1993 (EP) ..... 347/87
- 360219061 \* 11/1985 (JP) ..... 347/86
- 362261451 \* 11/1987 (JP) ..... 347/86
- 402000514 \* 1/1990 (JP) ..... 347/87
- 402243351 \* 9/1990 (JP) ..... 347/86
- 403184873 \* 8/1991 (JP) ..... 347/86
- 403248848 \* 11/1991 (JP) ..... 347/86
- 406218941 \* 8/1994 (JP) ..... 347/86

\* cited by examiner

*Primary Examiner*—Cathy Anne MacCormac  
(74) *Attorney, Agent, or Firm*—Kevin B. Sullivan

(57) **CLAIM**

We claim the ornamental design for a fluid container, as shown and described.

**DESCRIPTION**

FIG. 1 is a top, front, and left side perspective view of a fluid container of our new design;

FIG. 2 is a front elevational view thereof, the rear being identical;

FIG. 3 is a left side elevational view thereof, the right view being identical to the left;

FIG. 4 is a top plan view thereof;

FIG. 5 is a bottom plan view thereof;

FIG. 6 is a top, front, and left side perspective view of a second embodiment of FIG. 1;

FIG. 7 is a front elevational view of FIG. 6, the back view being identical to the front;

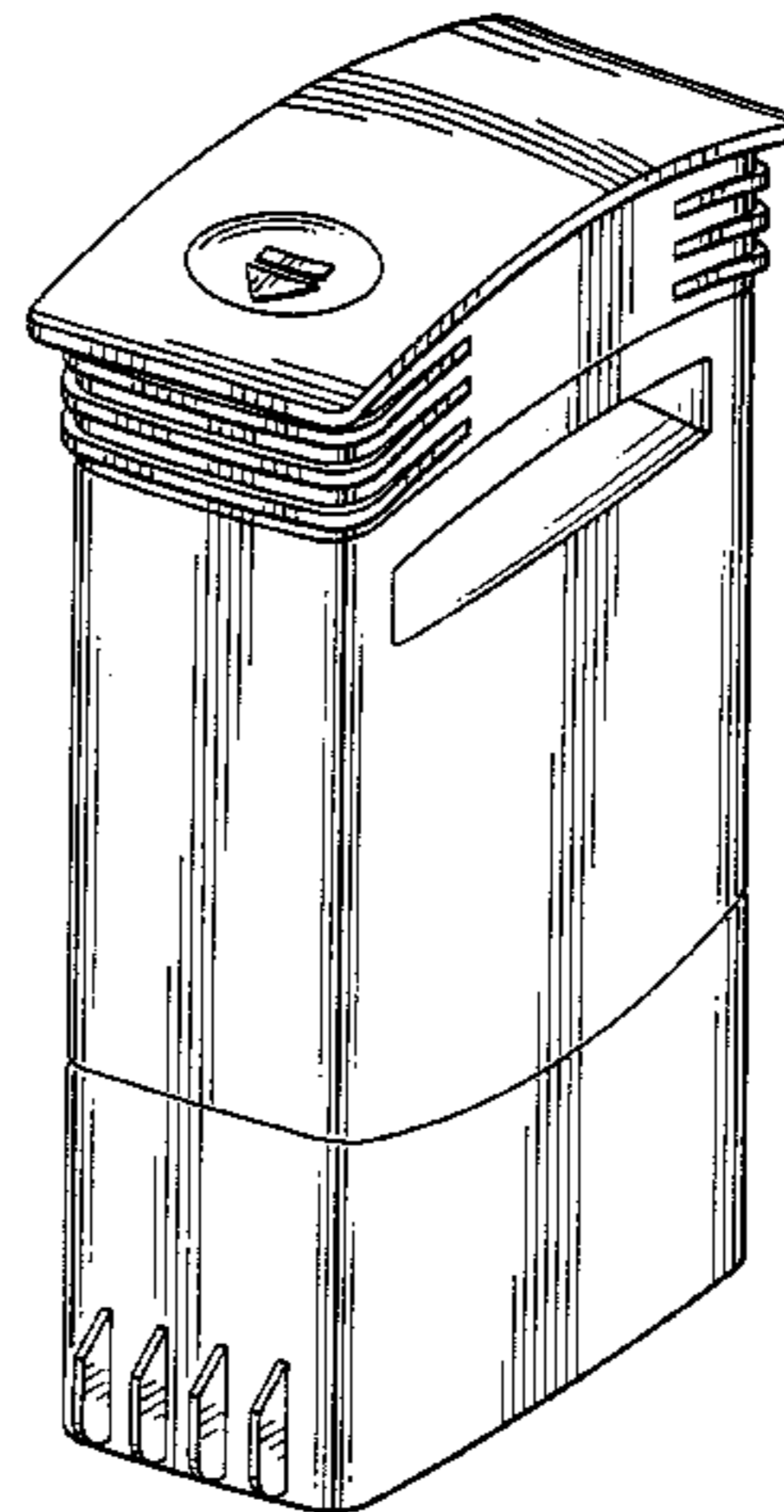
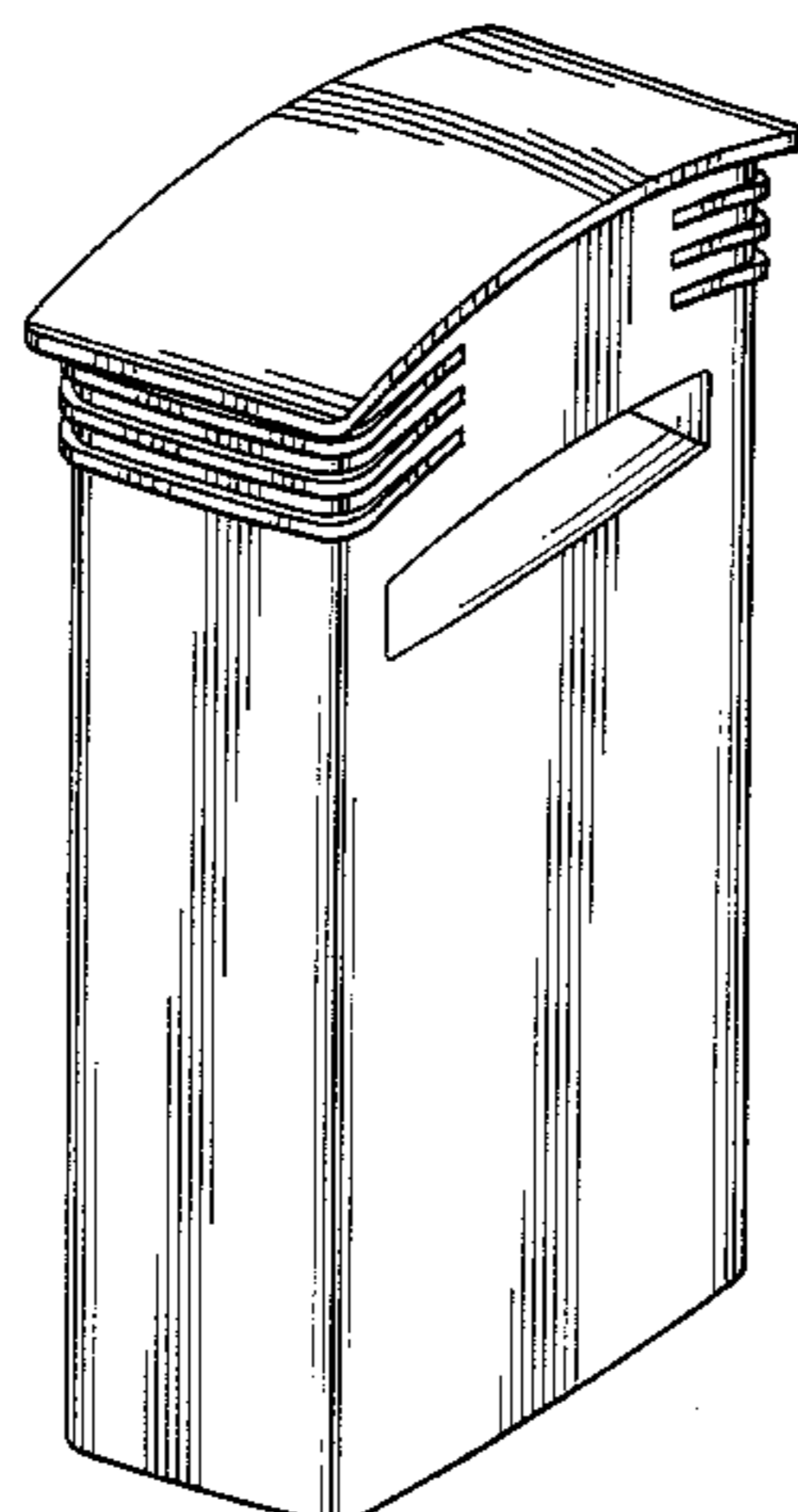
FIG. 8 is a left side elevational view of FIG. 6;

FIG. 9 is a right side plan view of FIG. 6;

FIG. 10 is a top plan view of FIG. 6; and,

FIG. 11 is a bottom plan view of FIG. 6.

**1 Claim, 5 Drawing Sheets**



# US D437,610 S

Page 2

---

## U.S. PATENT DOCUMENTS

5,477,963	*	12/1995	Mochizuki et al. ....	347/86	5,734,401	*	3/1998	Clark et al. ....	347/86
5,541,631	*	7/1996	Hasimoto .....	347/86	5,818,484	*	10/1998	Lee et al. ....	347/86
5,583,545	*	12/1996	Pawlowski, Jr. et al. ....	347/86	5,825,387	*	10/1998	Cowger et al. ....	347/86
5,629,728	*	5/1997	Karita et al. ....	347/87	5,852,459	*	12/1998	Pawlowski, Jr. et al. ....	347/86
5,646,664	*	7/1997	Pawlowski, Jr. ....	347/86	5,856,839	*	1/1999	Aukstikalnis et al. ....	347/86
5,691,755	*	11/1997	Pawlowski, Jr. et al. ....	347/86	5,856,840	*	1/1999	Barinaga et al. ....	347/86
					5,900,896	*	5/1999	Barinaga et al. ....	347/86

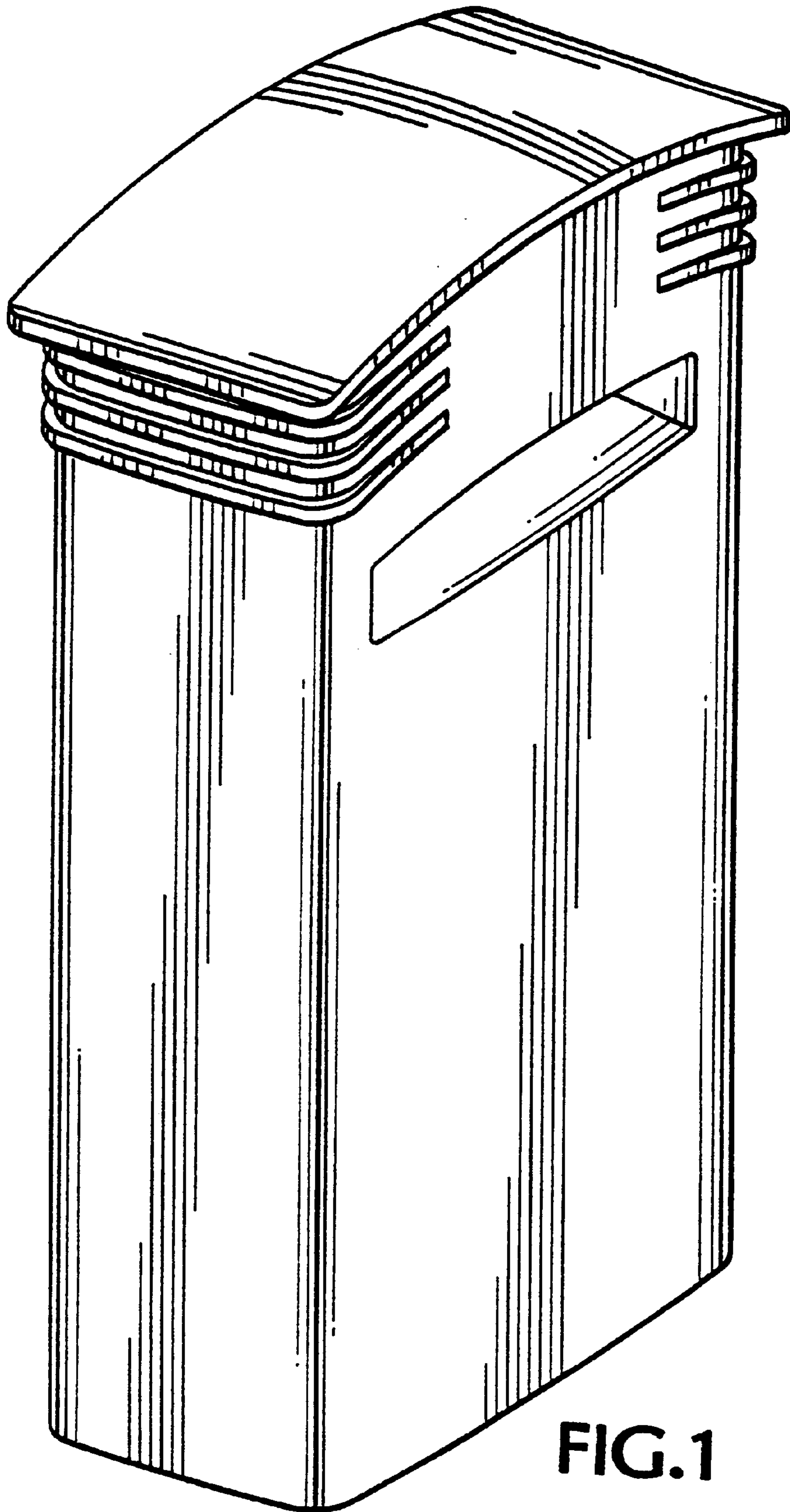


FIG.1

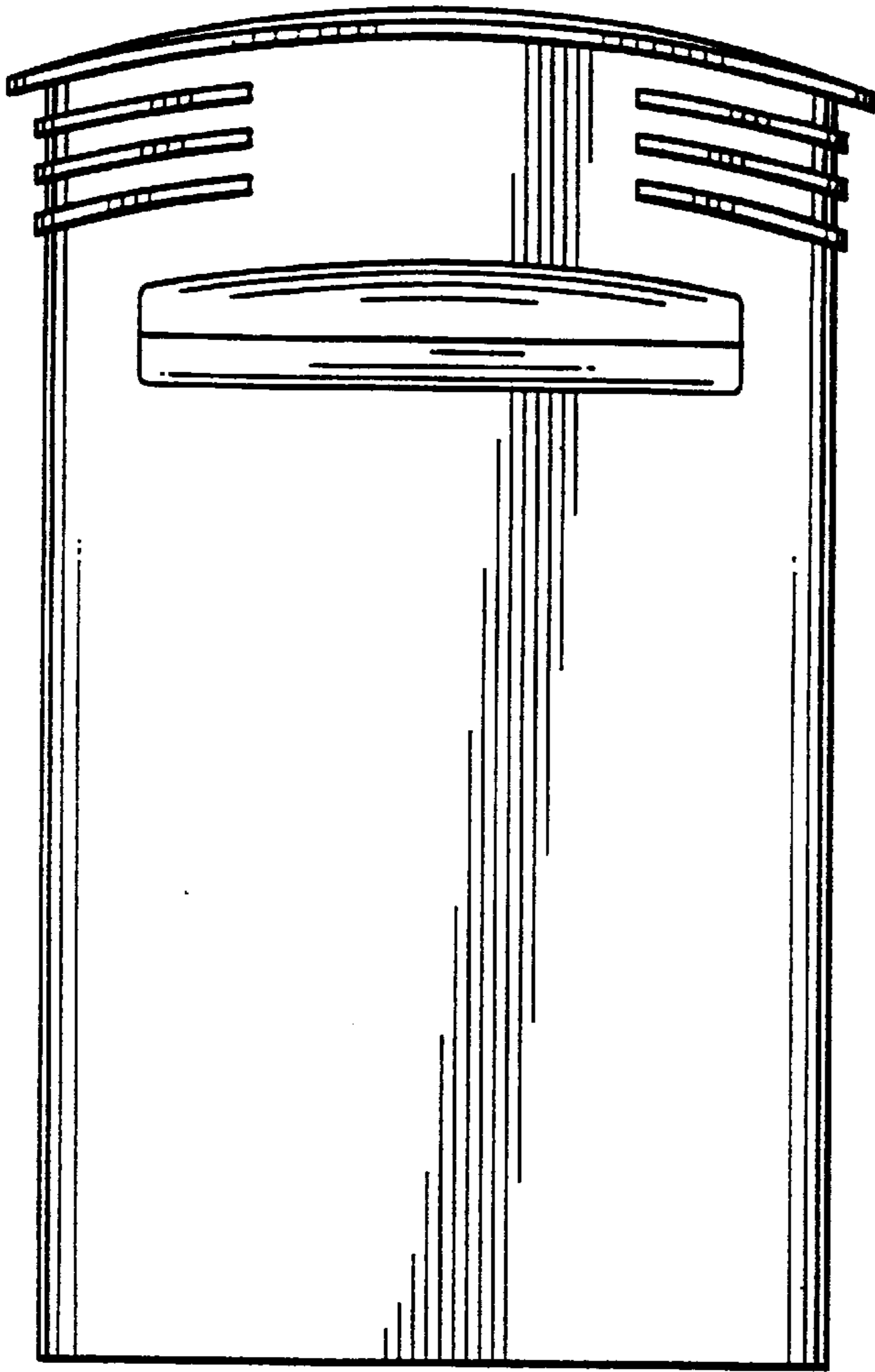


FIG. 2

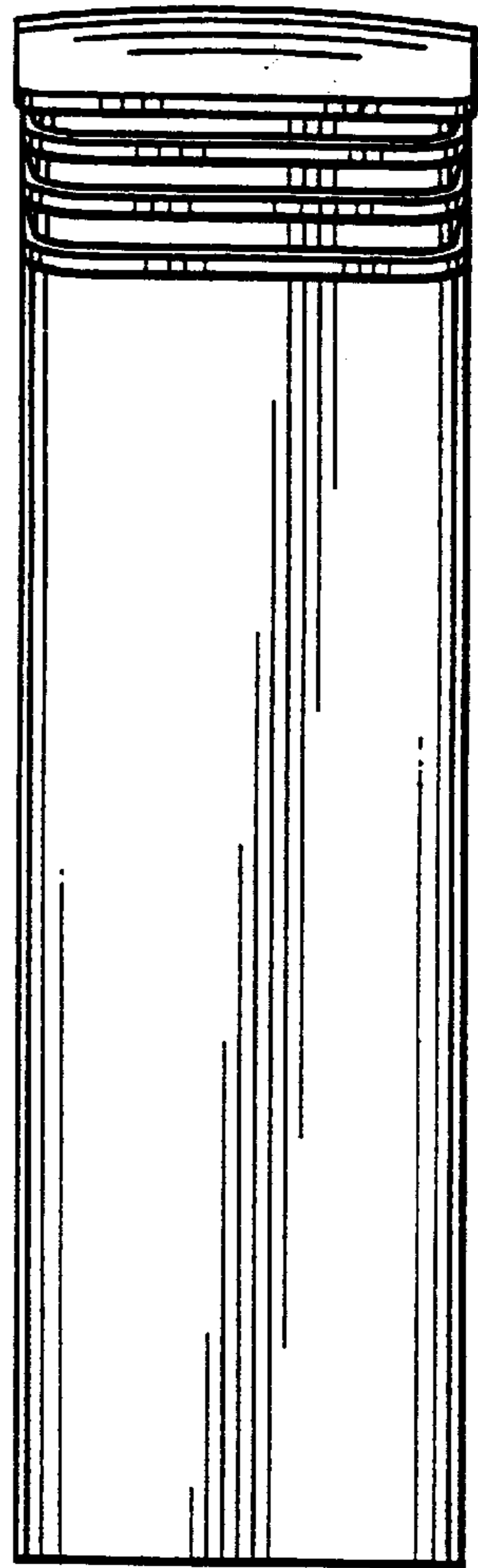


FIG. 3

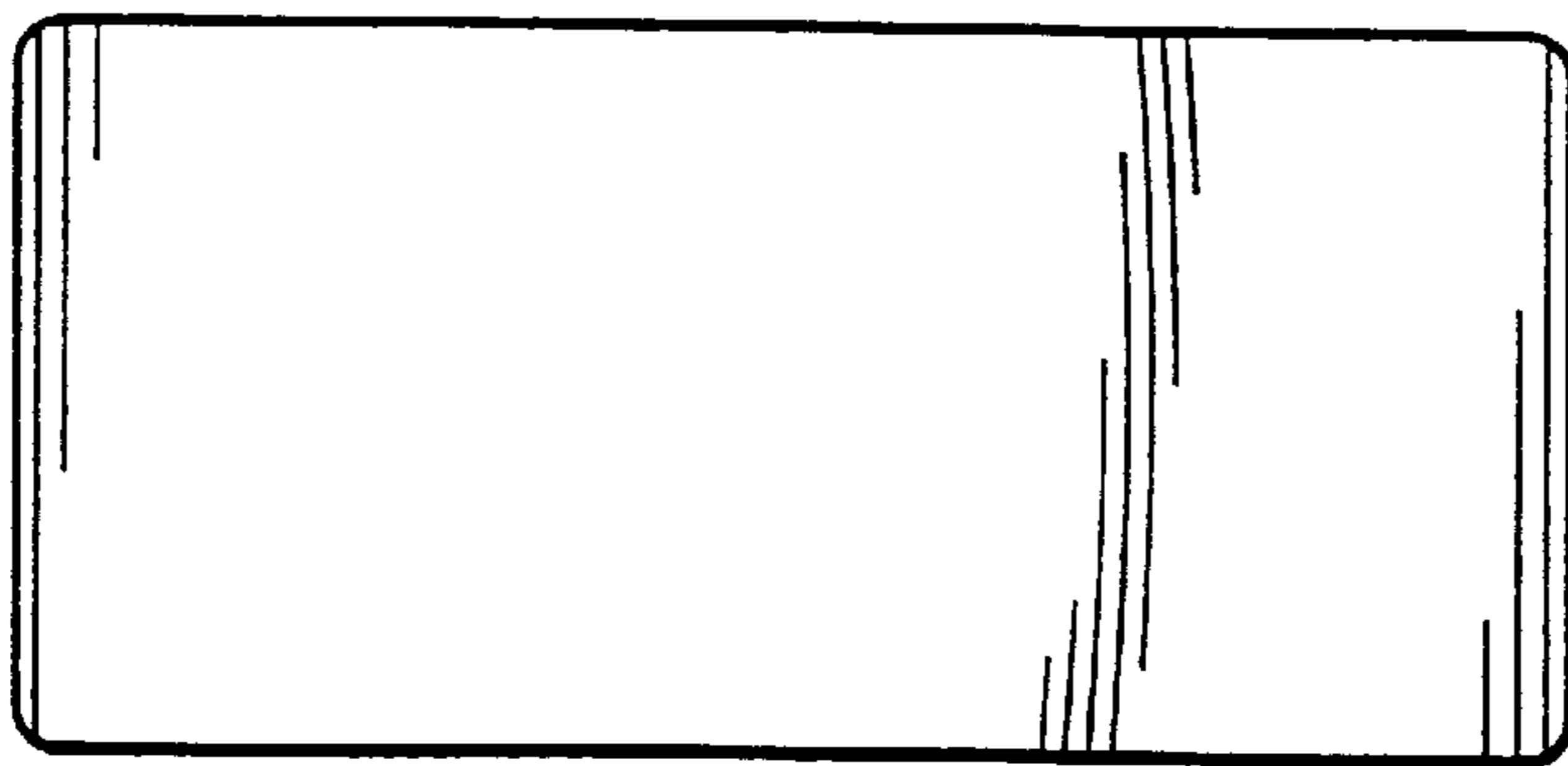


FIG. 4

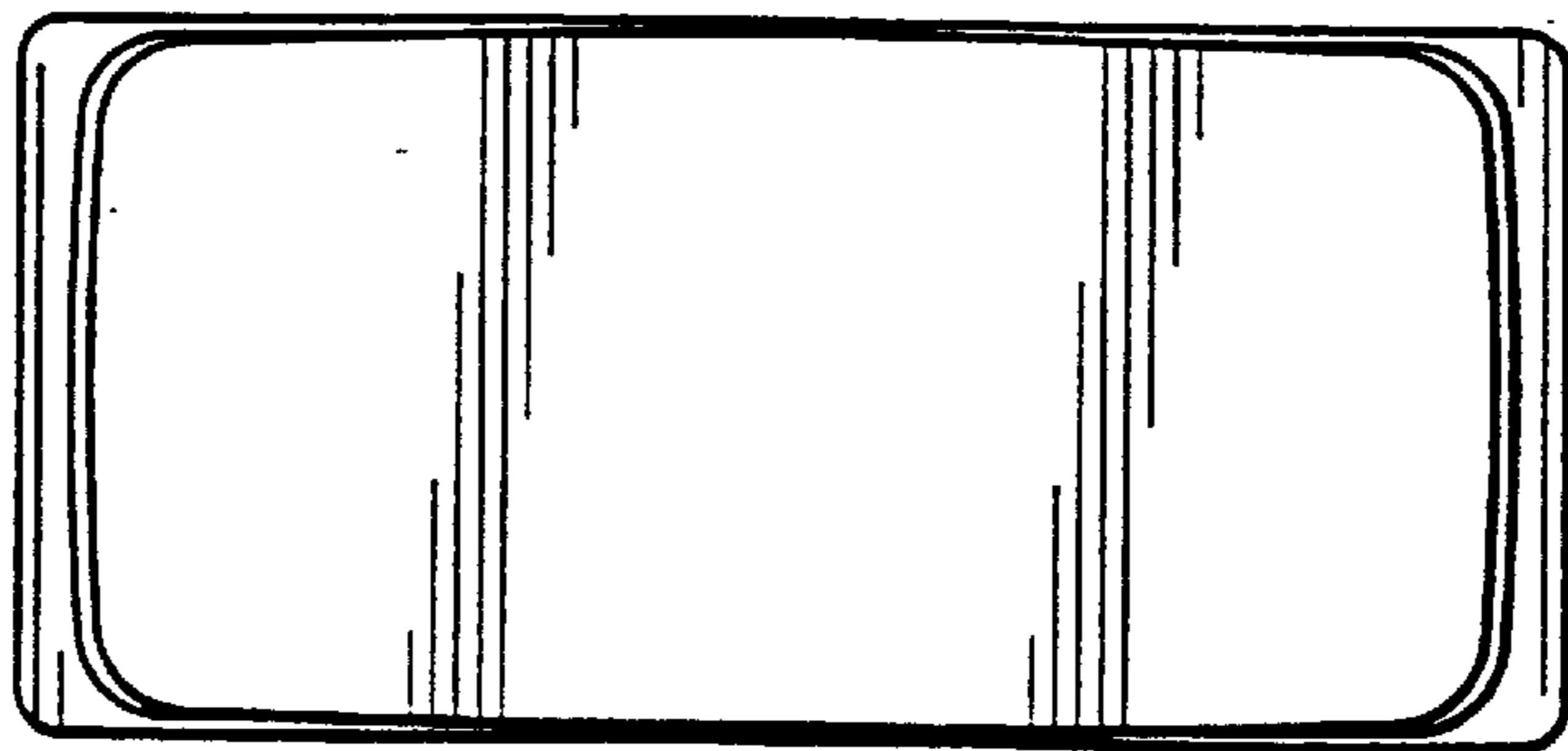
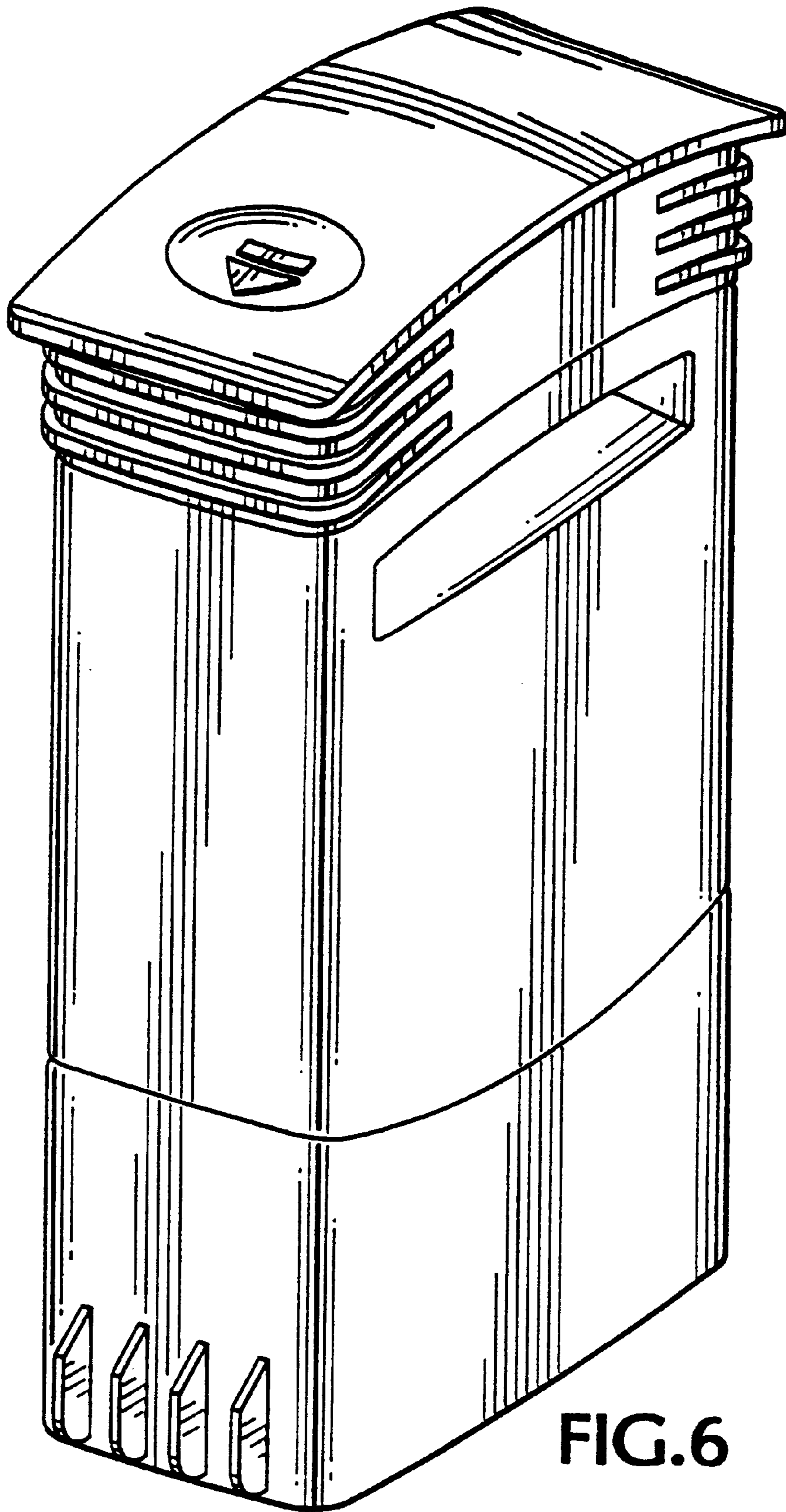


FIG. 5





**FIG.6**

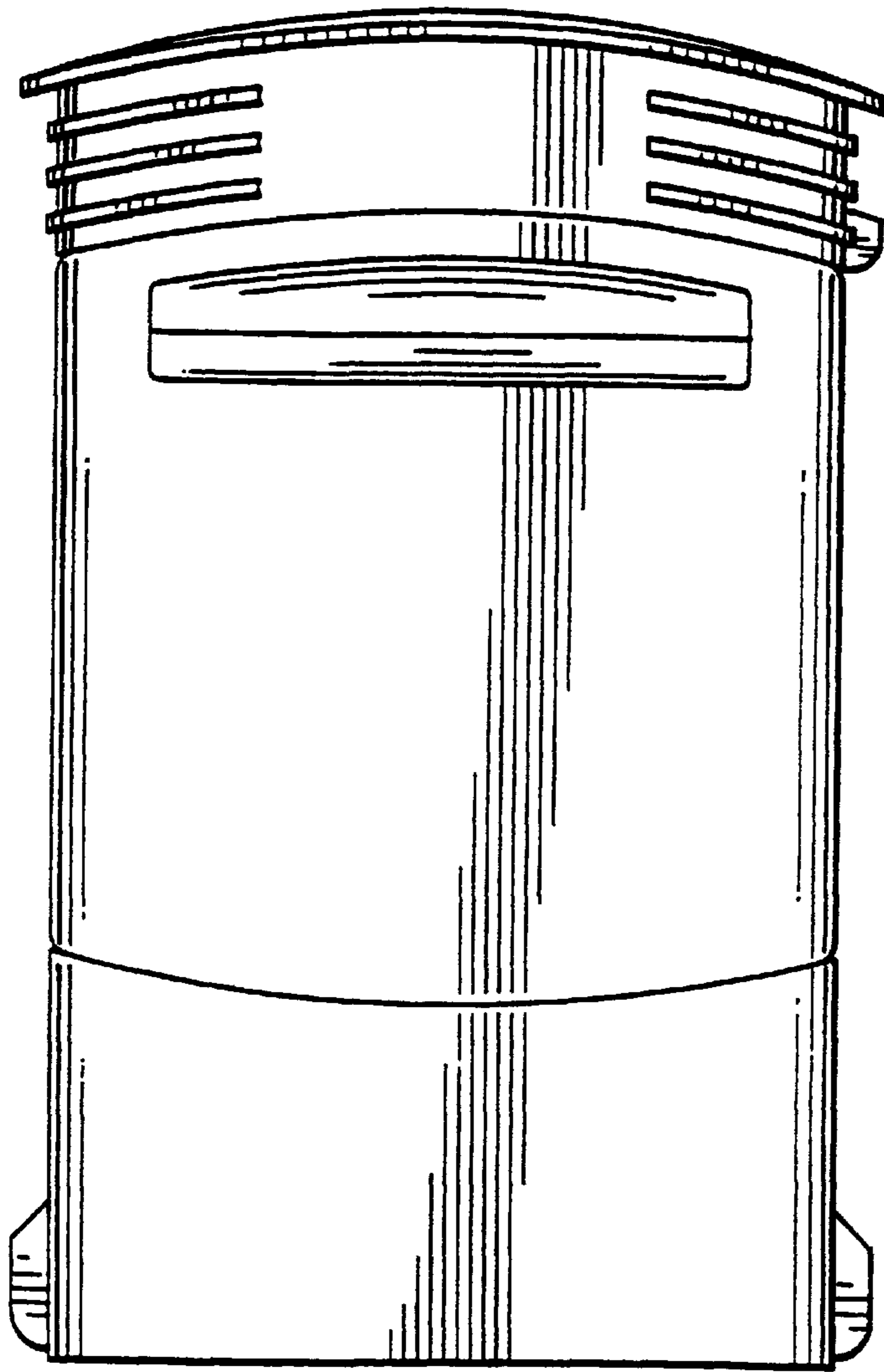


FIG. 7

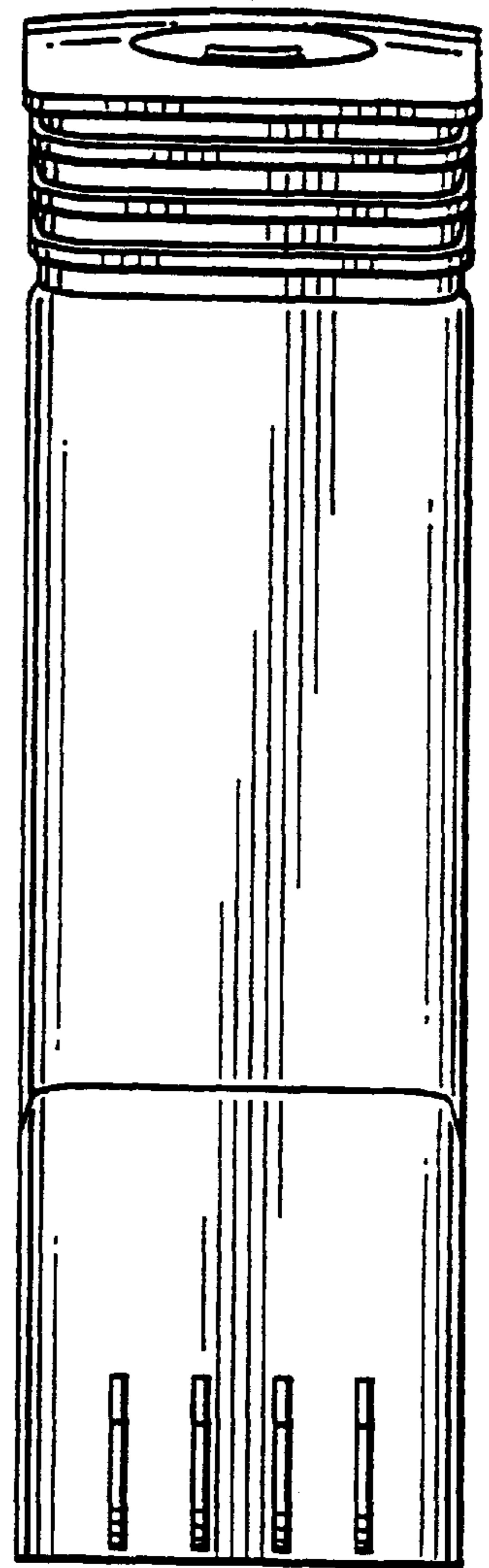


FIG. 8

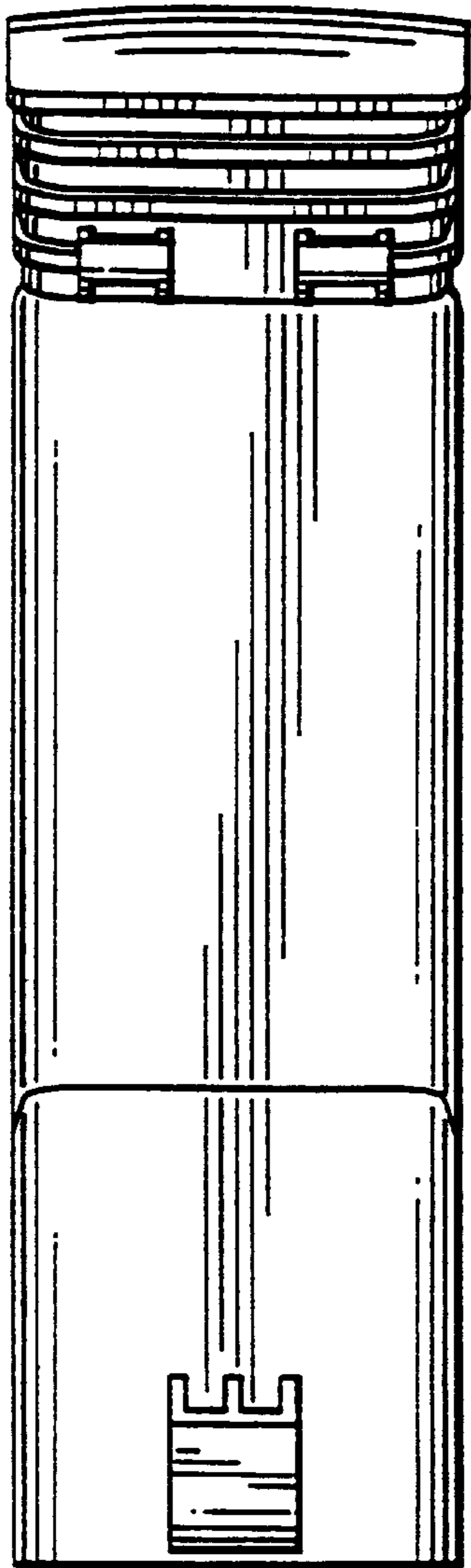


FIG. 9

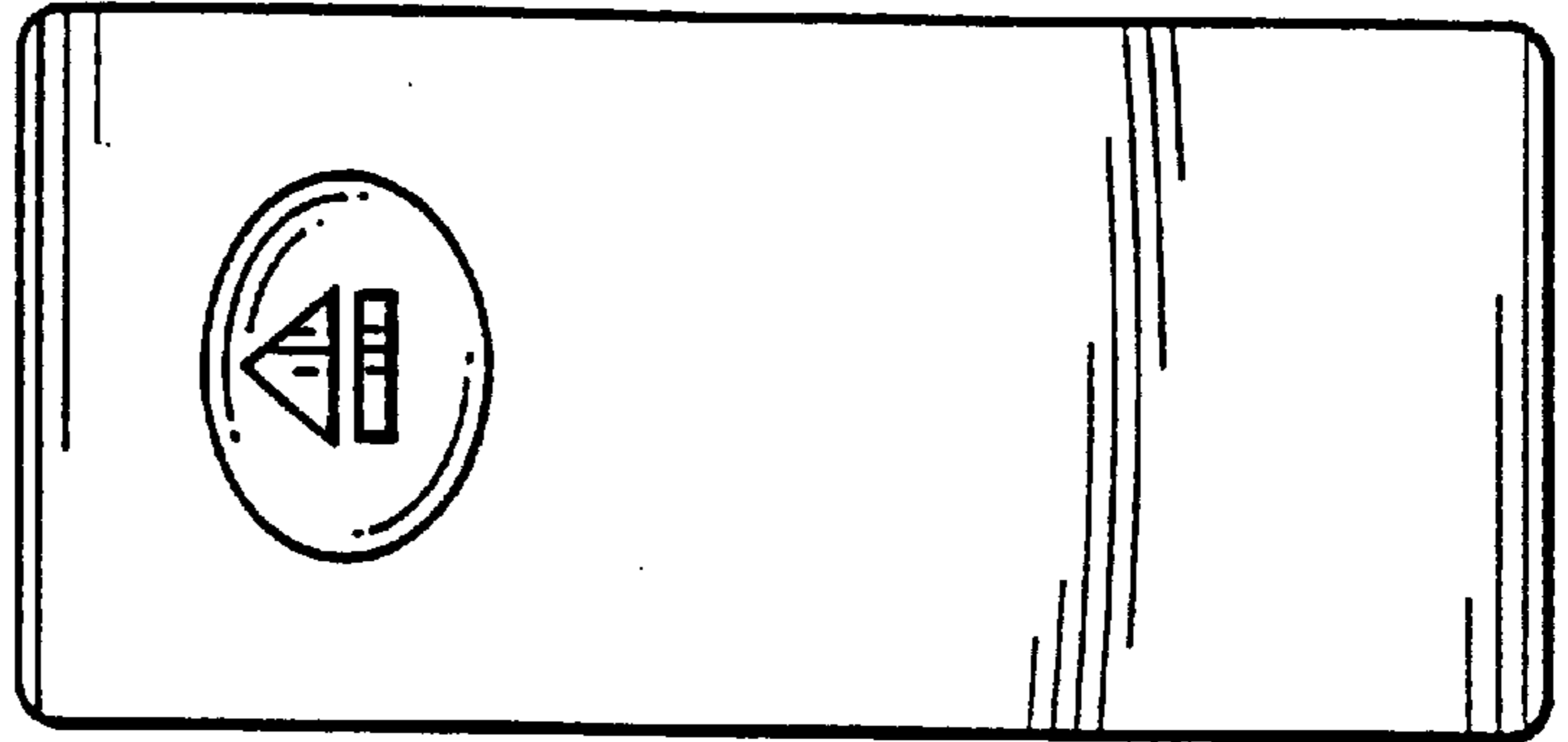


FIG. 10

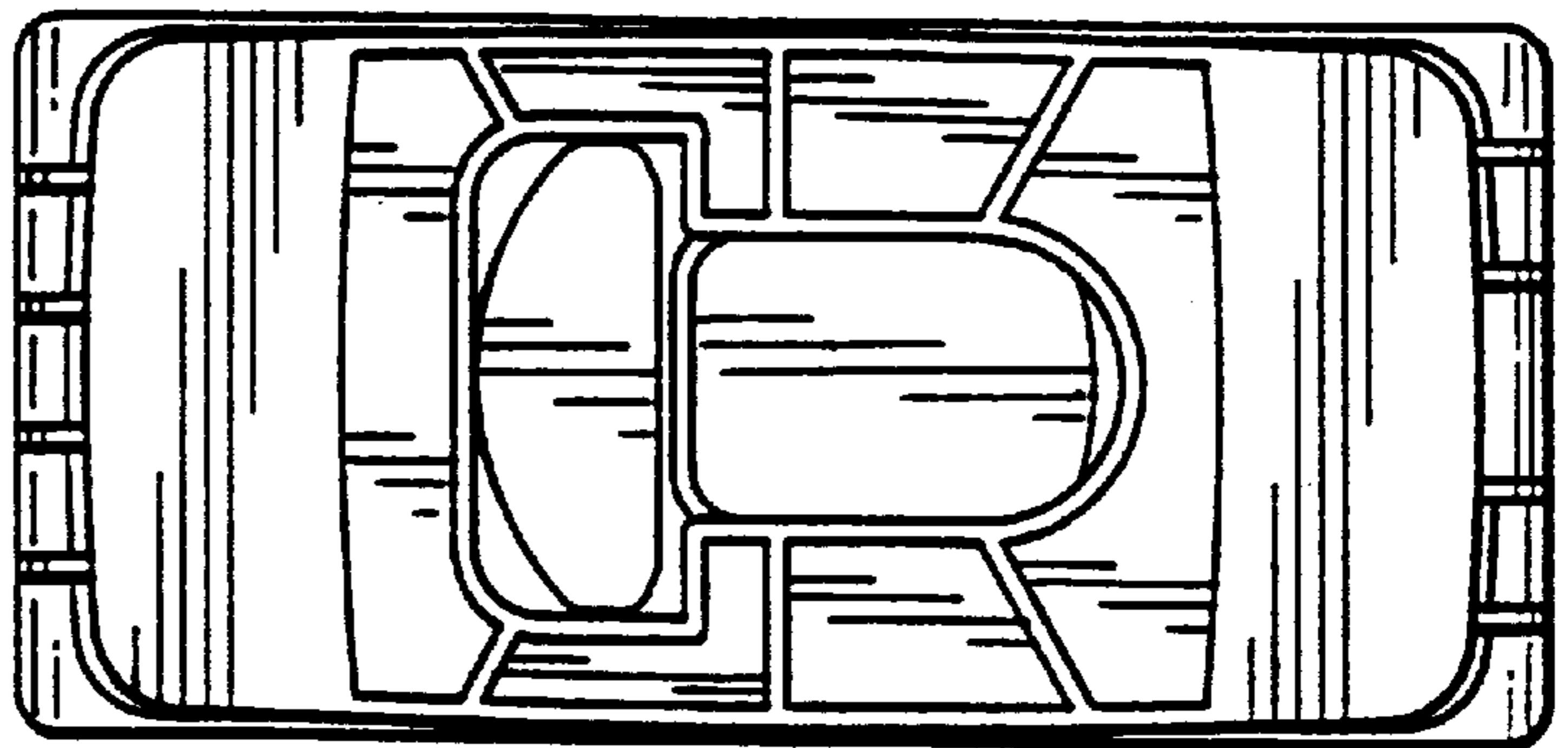


FIG. 11