



US00D437607S

(12) **United States Design Patent**
Takahashi

(10) **Patent No.:** **US D437,607 S**

(45) **Date of Patent:** **** Feb. 13, 2001**

(54) **DATA PROJECTOR**

(74) *Attorney, Agent, or Firm*—Darby & Darby

(75) **Inventor:** **Yoshihiro Takahashi, Sagamihara (JP)**

(57) **CLAIM**

(73) **Assignee:** **Plus Property Corporation, Tokyo (JP)**

The ornamental design for a data projector, as shown and described.

(**) **Term:** **14 Years**

DESCRIPTION

(21) **Appl. No.:** **29/124,132**

FIG. 1 is a front elevational view showing my new design for data projector;

(22) **Filed:** **May 31, 2000**

FIG. 2 is a top plan view thereof;

(30) **Foreign Application Priority Data**

Apr. 7, 2000 (JP) 12-009034

FIG. 3 is a right side elevational view thereof;

(51) **LOC (7) Cl.** **16-02**

FIG. 4 is a left side elevational view thereof;

(52) **U.S. Cl.** **D16/230; D16/225**

FIG. 5 is a bottom plan view thereof;

(58) **Field of Search** **D16/200–205, D16/221, 225, 230, 231, 234; 353/115, 119, 122**

FIG. 6 is a rear elevational view thereof;

(56) **References Cited**

U.S. PATENT DOCUMENTS

- D. 331,768 * 12/1992 Saeki et al. D16/225
- D. 374,024 * 9/1996 Onoda D16/221
- D. 387,795 * 12/1997 Sakamoto D16/231
- D. 389,503 * 1/1998 Shimizu et al. D16/230
- D. 400,903 * 11/1998 Miyagawa et al. D16/225
- 3,269,793 * 8/1966 White, Jr. D16/230

FIG. 7 is a cross-sectional view thereof taken along the line 1—1, wherein the inner workings are omitted;

FIG. 8 is a cross-sectional view thereof taken along the line 2—2, wherein the inner workings are omitted;

FIG. 9 is a cross-sectional view thereof taken along the line 3—3, wherein the inner workings are omitted;

FIG. 10 is a perspective view thereof, as viewed from the front right;

FIG. 11 is a perspective view thereof, as viewed from the rear left;

FIG. 12 is a front elevational view thereof in the state of the shutter being closed;

FIG. 13 is a top plan view thereof in the state of the shutter being closed;

FIG. 14 is a bottom plan view thereof in the state of the shutter being closed; and,

FIG. 15 is a rear elevational view thereof in the state of the shutter being closed.

OTHER PUBLICATIONS

Elmo Catalog, Jun. 1999 (EDP –5700 projector).*

* cited by examiner

Primary Examiner—Adir Aronovich

1 Claim, 7 Drawing Sheets

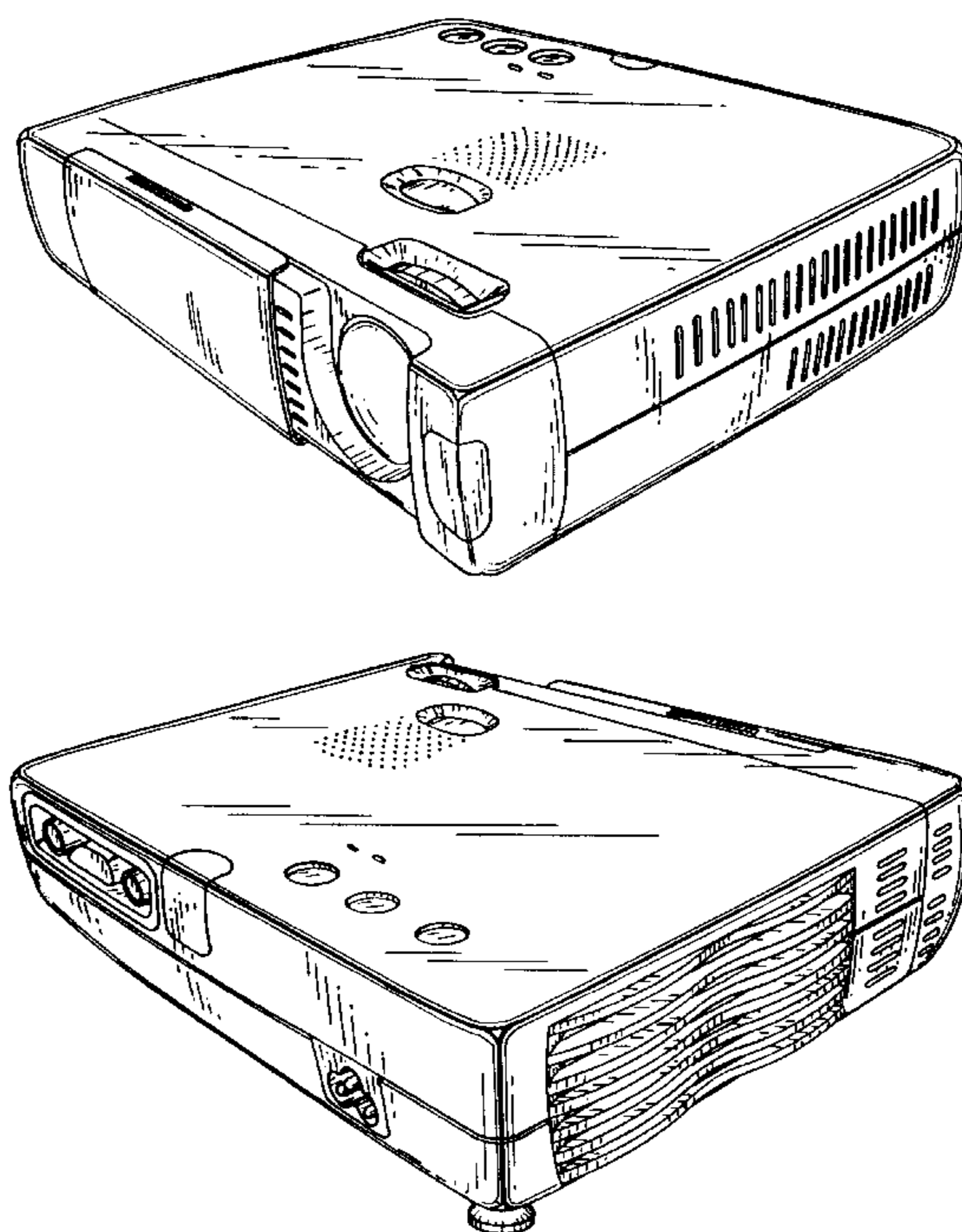


Fig. 1

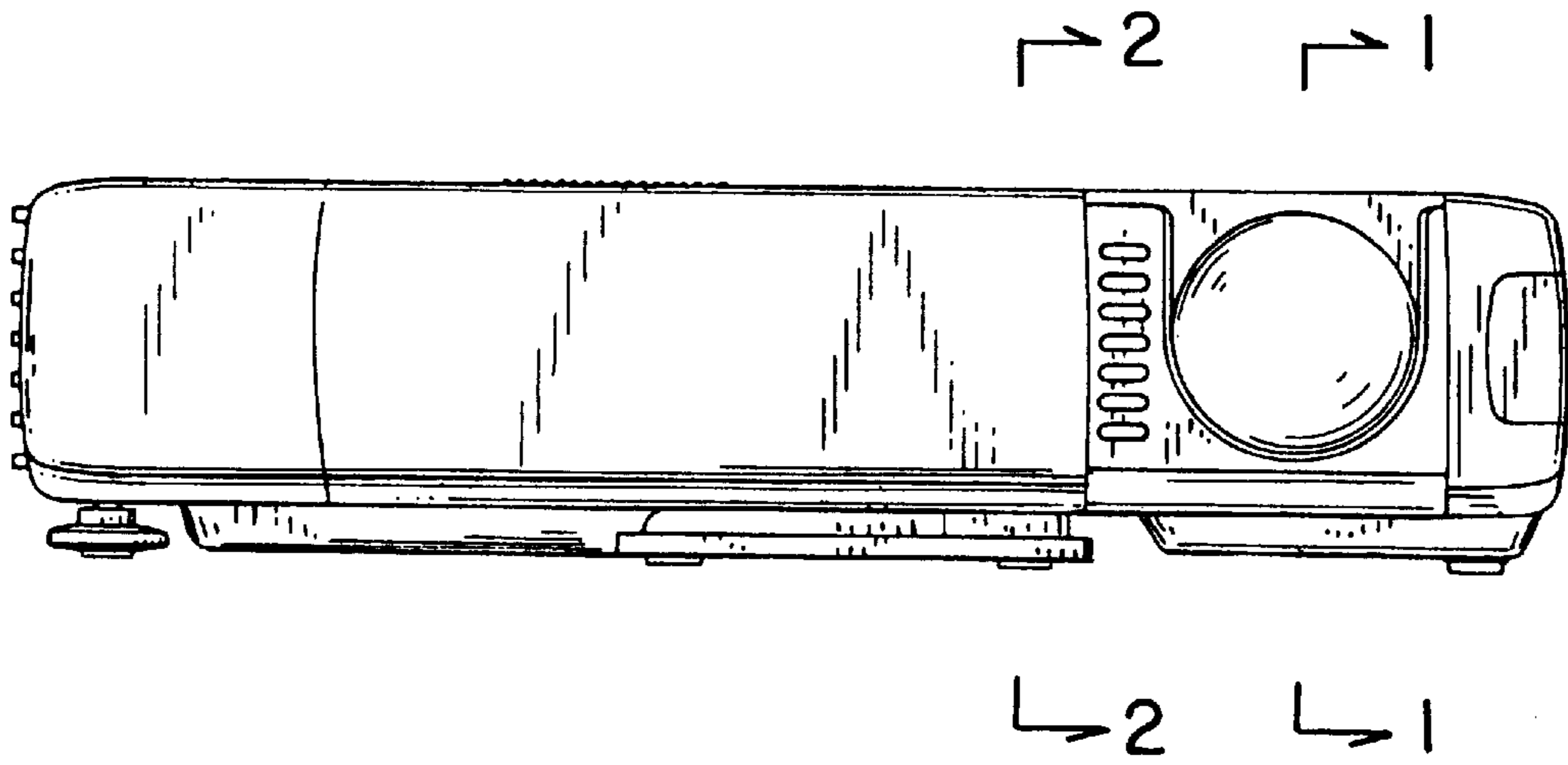


Fig. 2

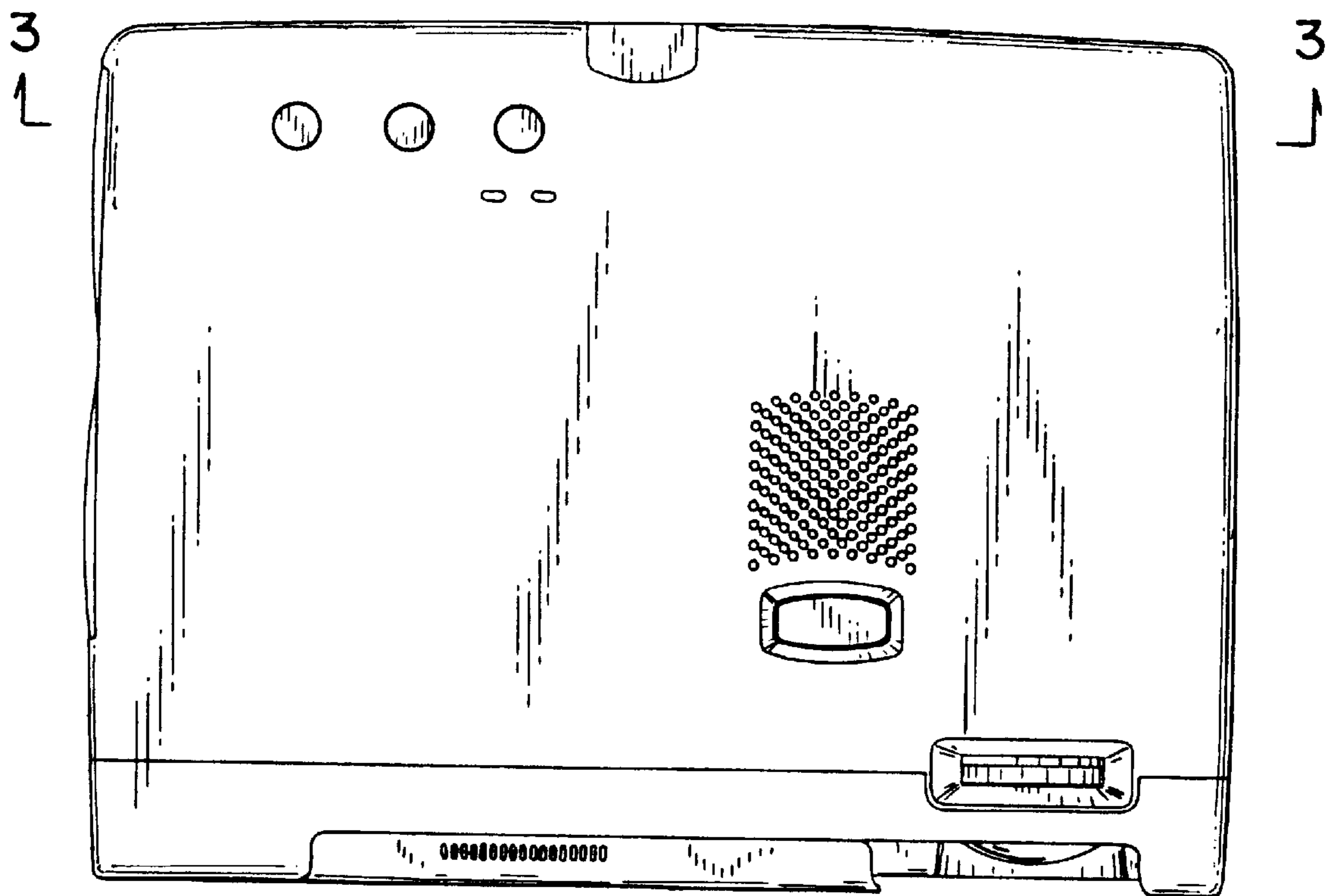


Fig. 3

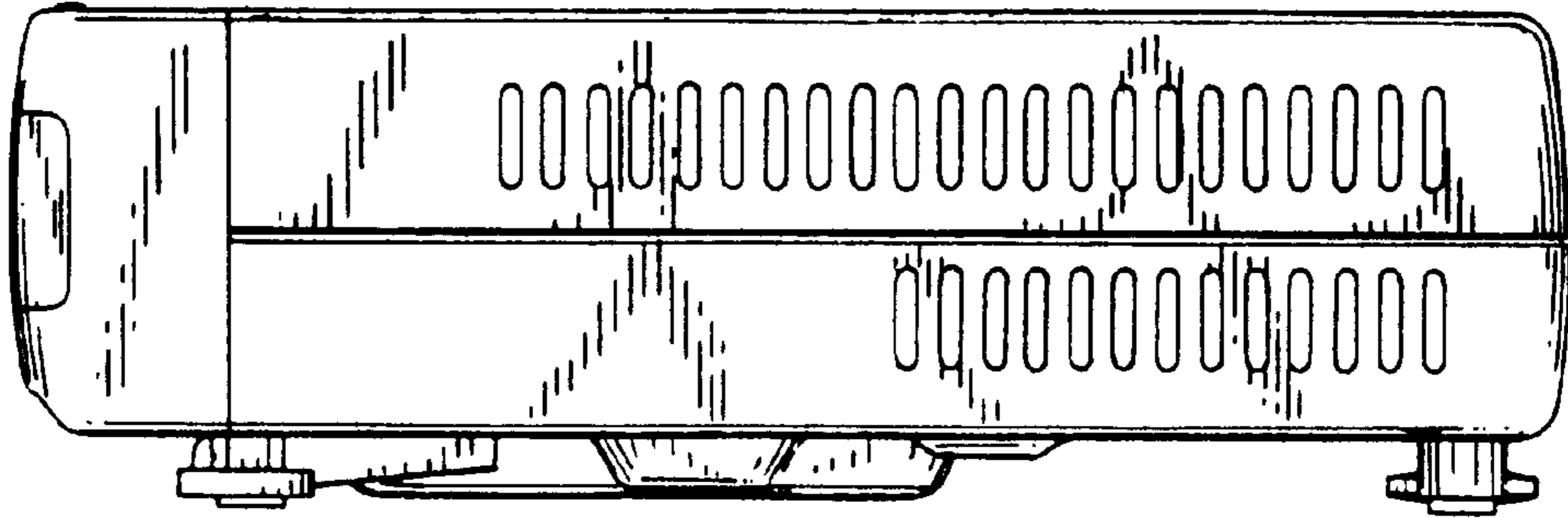


Fig. 4

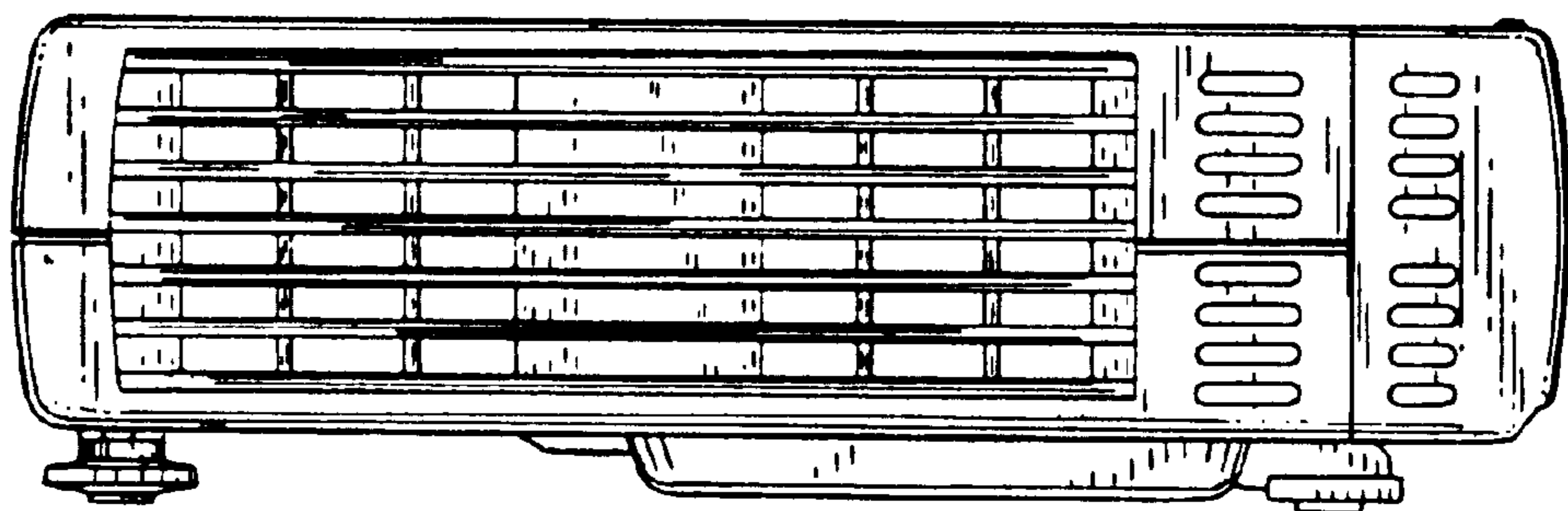


Fig. 5

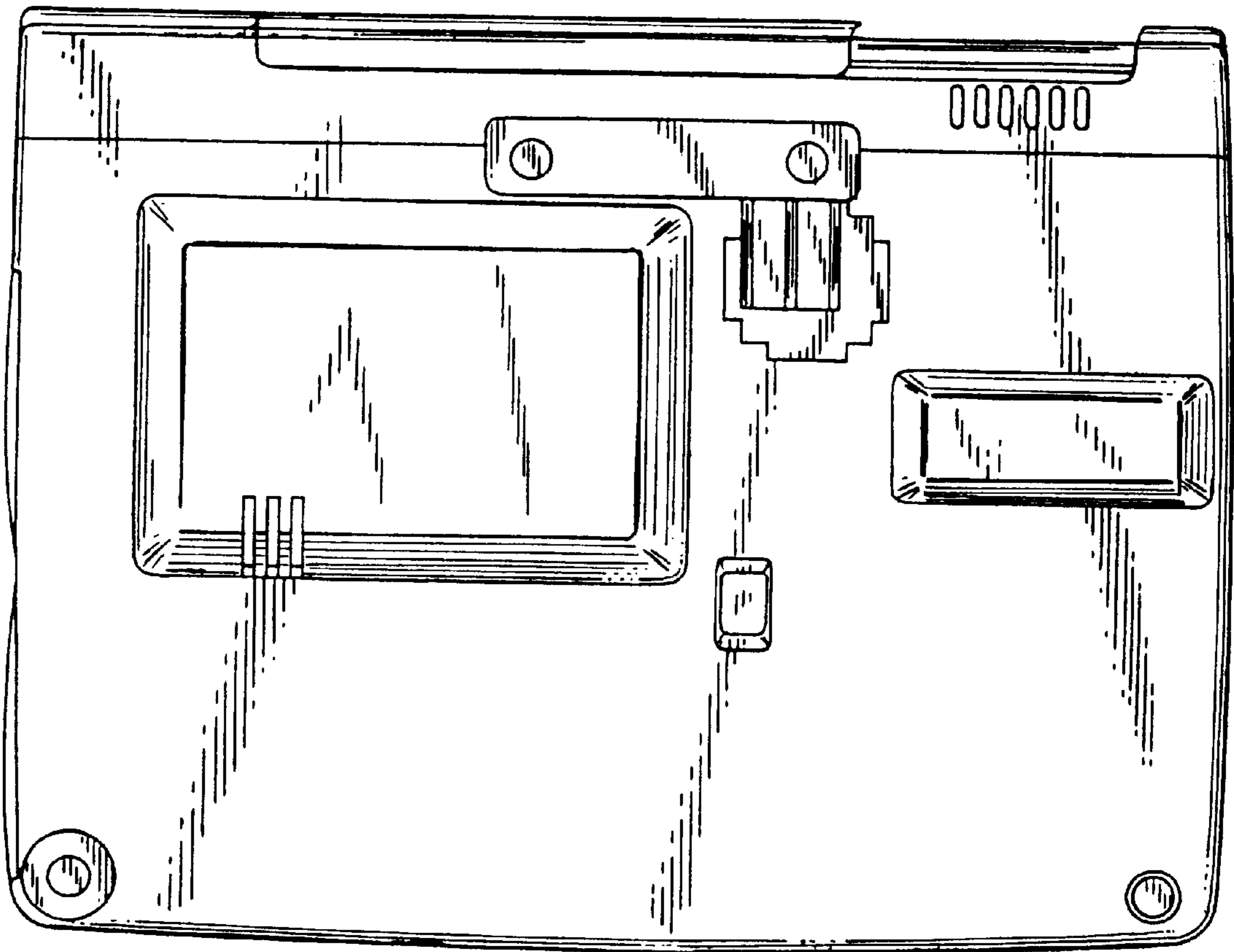


Fig. 6

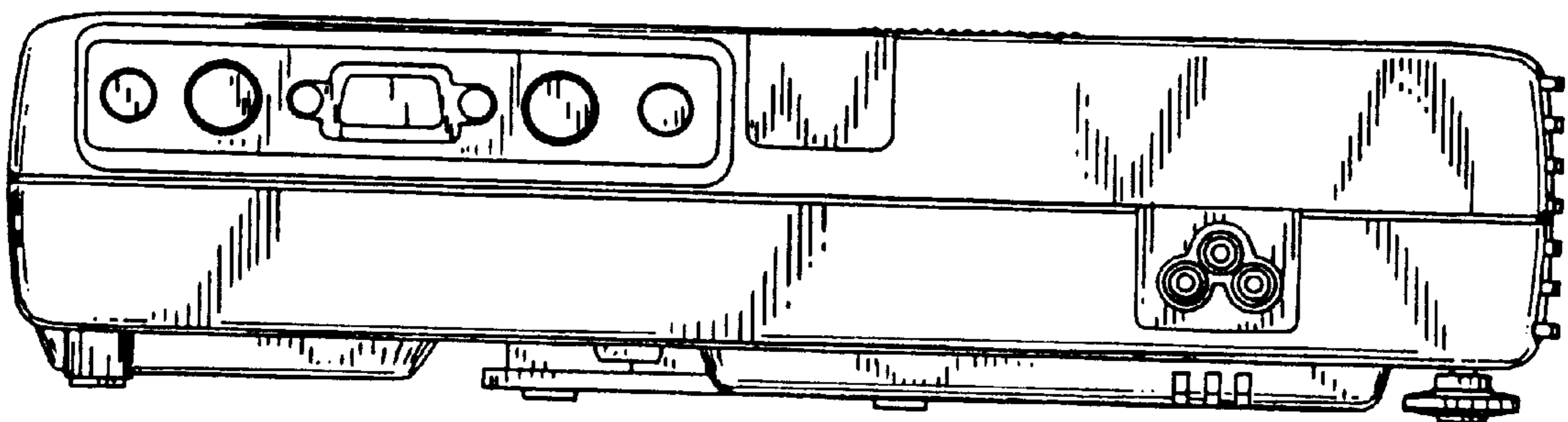


Fig. 7

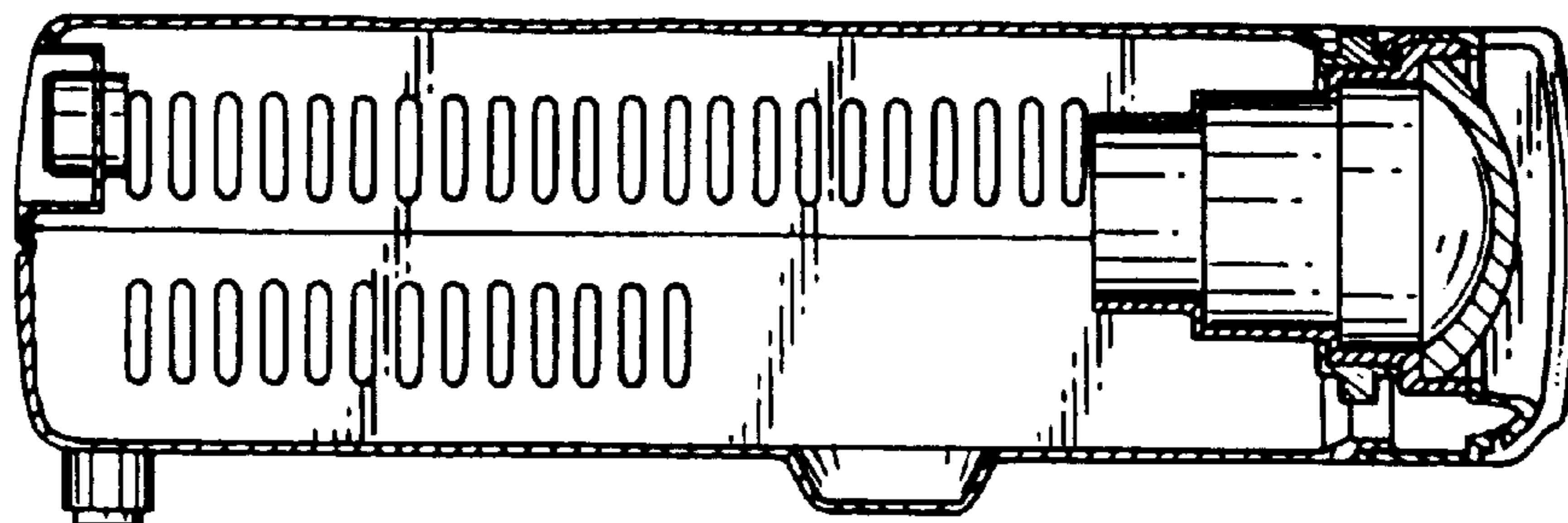


Fig. 8

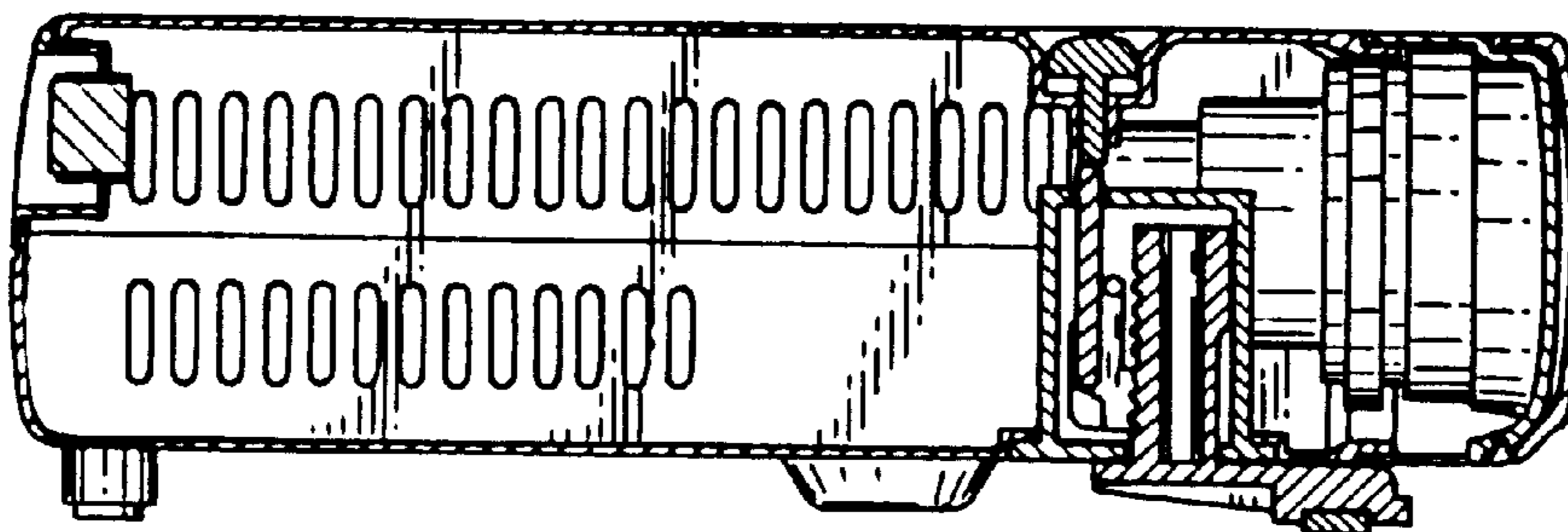


Fig. 9

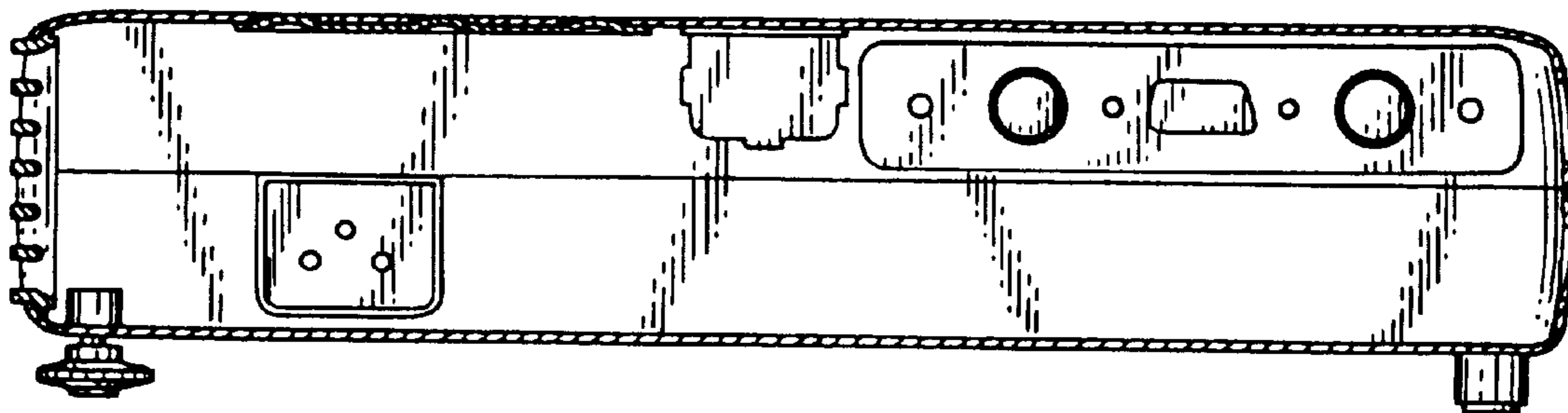


Fig. 10

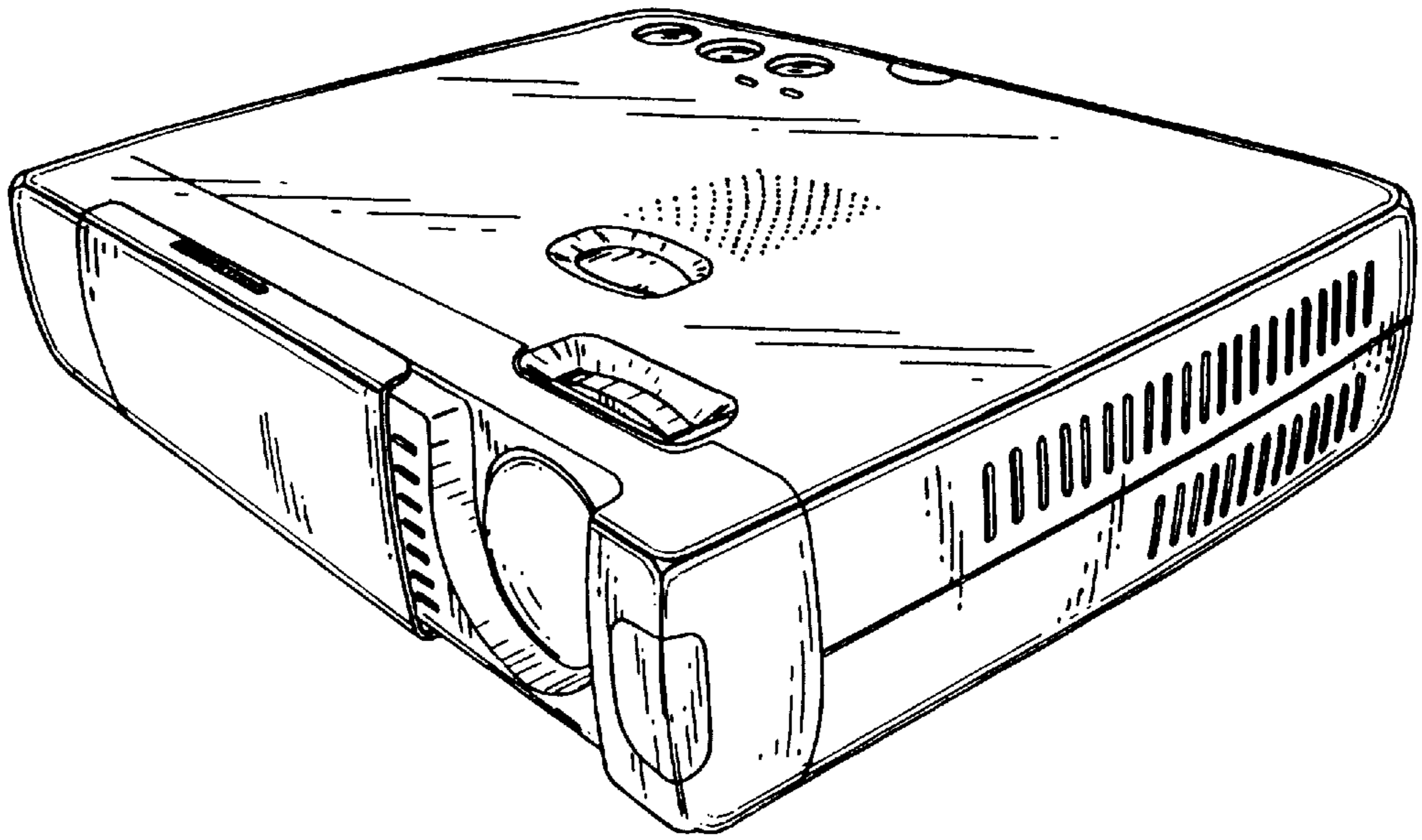


Fig. 11

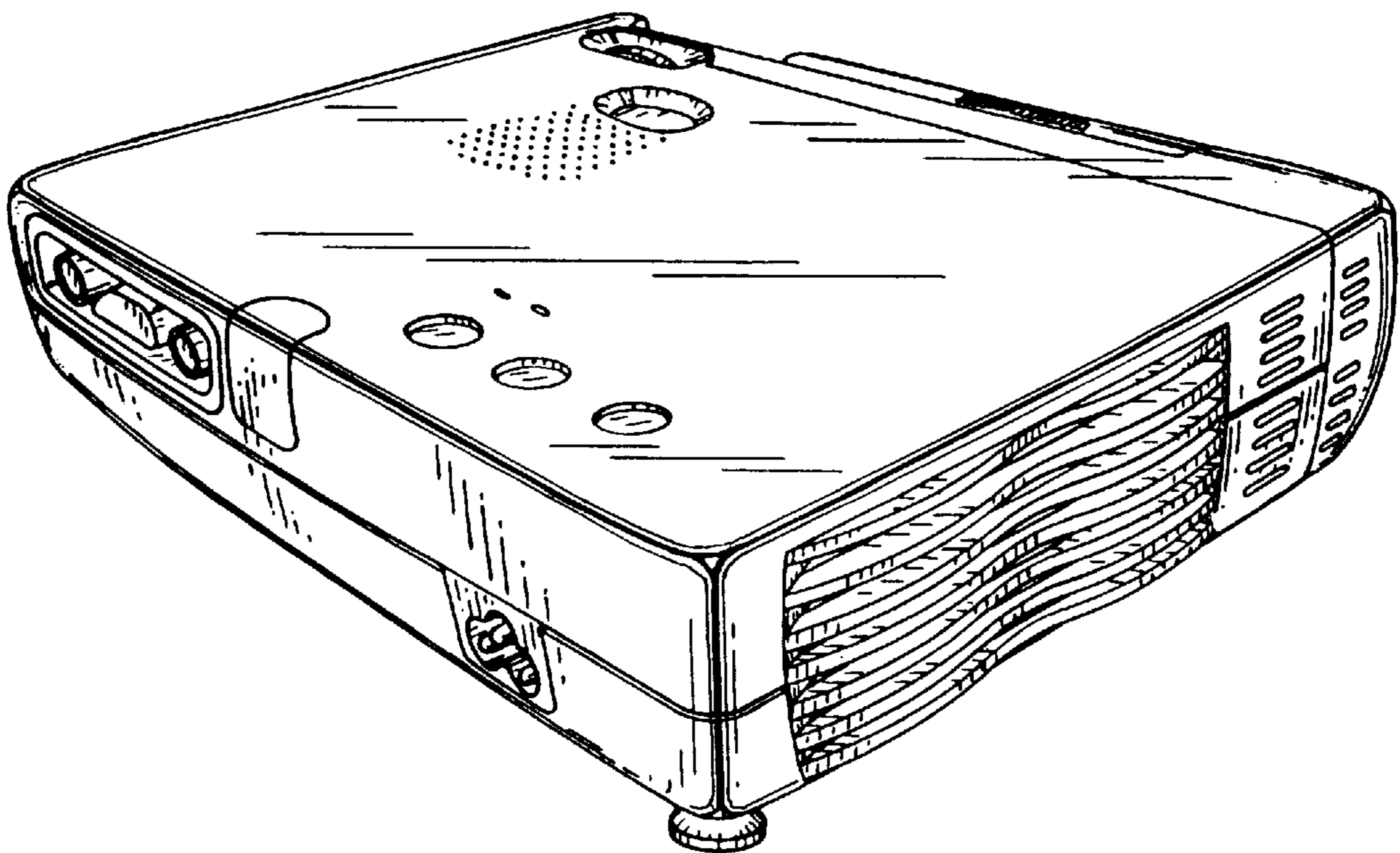


Fig.12

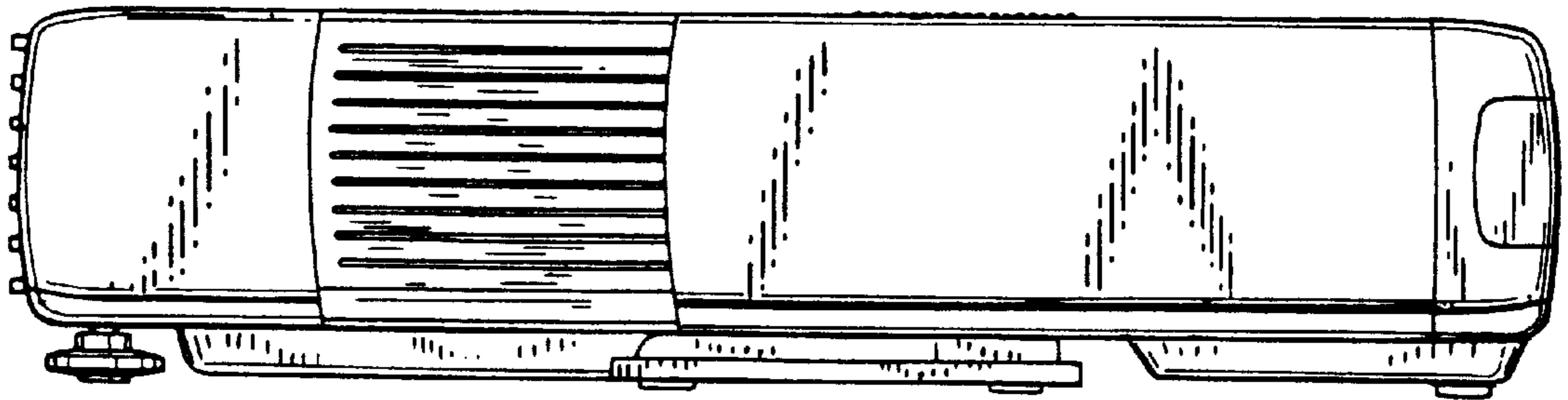


Fig.13

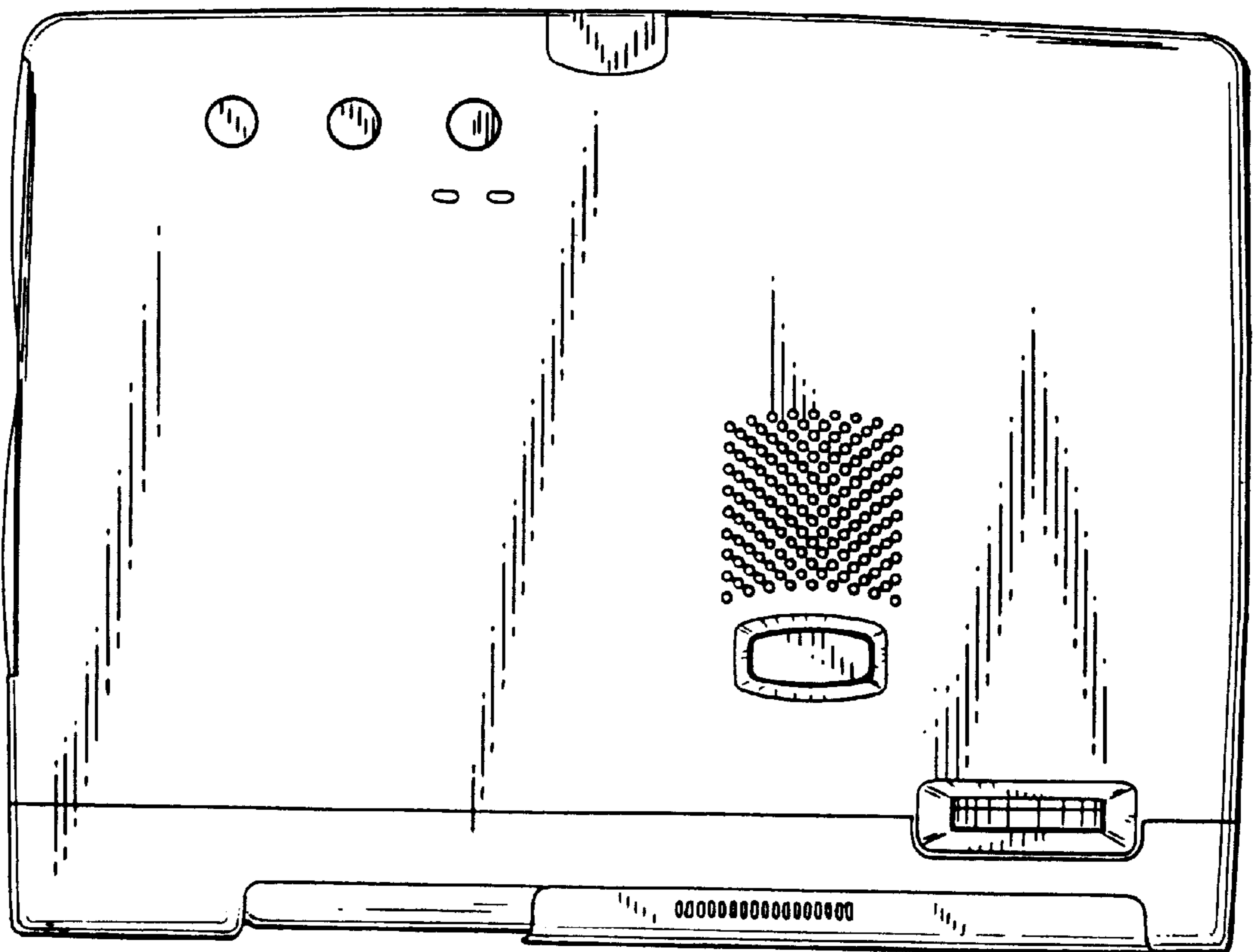


Fig.14

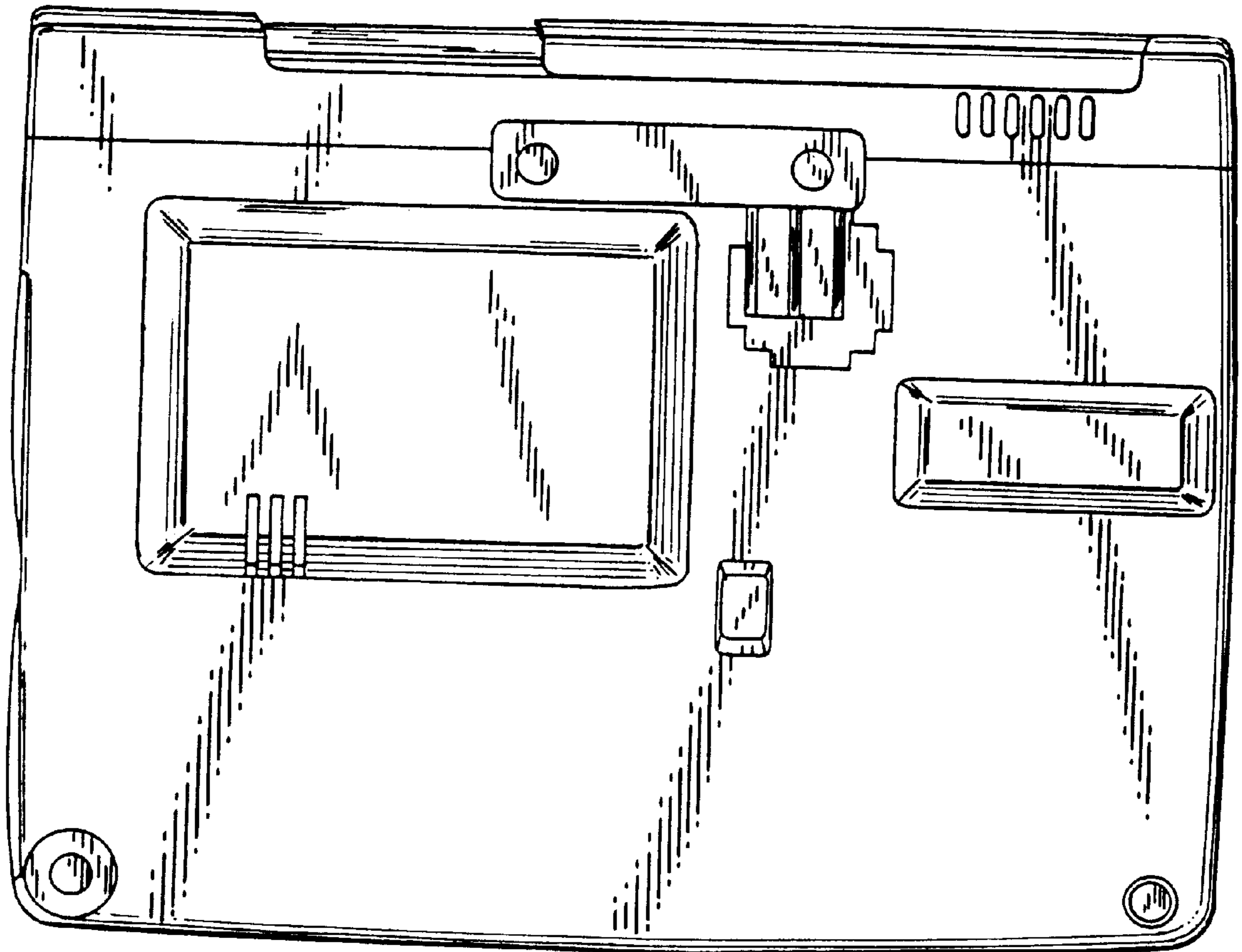
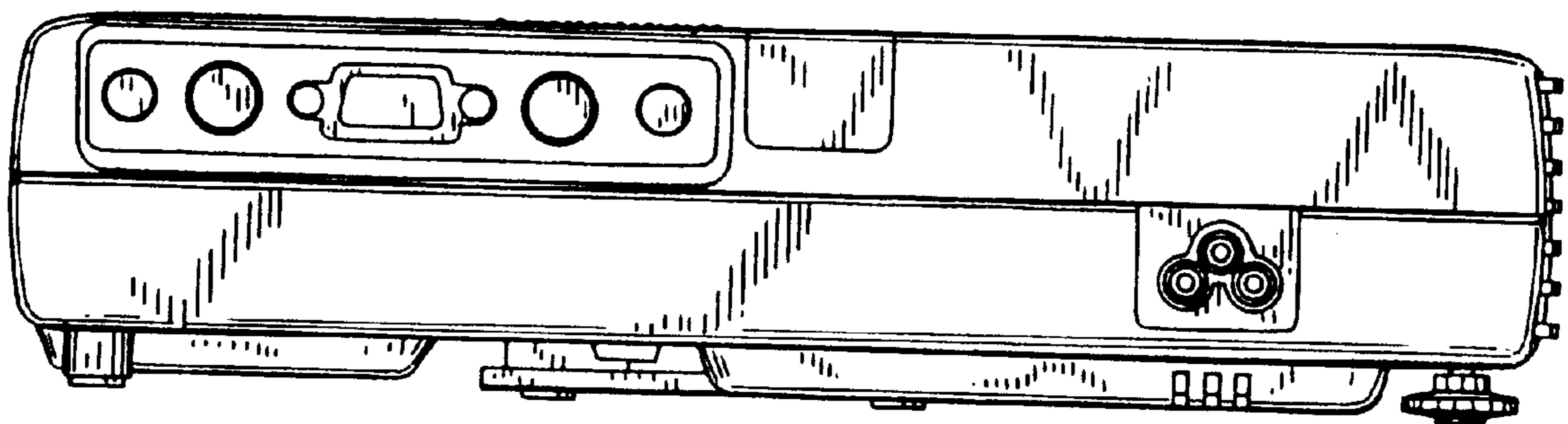


Fig.15



UNITED STATES PATENT AND TRADEMARK OFFICE
CERTIFICATE OF CORRECTION

PATENT NO. : Des 437,607
DATED : February 13, 2001
INVENTOR(S) : Yoshihiro Takahashi

Page 1 of 1

It is certified that error appears in the above-identified patent and that said Letters Patent is hereby corrected as shown below:

Title page,

[30] Foreign Application Priority data, change "12-009034" to -- 2000-009034 --.

Signed and Sealed this

Twenty-fifth Day of September, 2001

Attest:

Nicholas P. Godici

Attesting Officer

NICHOLAS P. GODICI
Acting Director of the United States Patent and Trademark Office