



US00D437604S

(12) **United States Design Patent**  
**Welsh**

(10) **Patent No.:** **US D437,604 S**

(45) **Date of Patent:** **\*\* Feb. 13, 2001**

(54) **TABLES FOR A PLANER**

(75) Inventor: **Robert P. Welsh**, Hunt Valley, MD  
(US)

(73) Assignee: **Black & Decker Inc.**, Newark, DE  
(US)

(\*\*) Term: **14 Years**

(21) Appl. No.: **29/121,853**

(22) Filed: **Apr. 12, 2000**

**Related U.S. Application Data**

(62) Division of application No. 29/112,894, filed on Oct. 26, 1999, which is a division of application No. 29/100,427, filed on Feb. 10, 1999, now Pat. No. Des. 421,996, which is a division of application No. 29/093,569, filed on Sep. 14, 1998, now Pat. No. Des. 412,914, which is a division of application No. 29/088,229, filed on May 19, 1998, now Pat. No. Des. 411,548, which is a division of application No. 29/081,850, filed on Dec. 15, 1997, now Pat. No. Des. 397,122, which is a division of application No. 29/065,049, filed on Jan. 17, 1997, now Pat. No. Des. 395,320, which is a division of application No. 29/062,168, filed on Nov. 8, 1996, now Pat. No. Des. 387,070.

(51) **LOC (7) Cl.** ..... **15-09**

(52) **U.S. Cl.** ..... **D15/124**

(58) **Field of Search** ..... D15/124, 127;  
144/117.1, 117 R, 114.1, 114 R, 124-127 A,  
154.5, 129, 130, 218, 225, 228, 230, 242.5,  
245.1, 246.1, 250.2, 253.1, 253.2, 252.1,  
375; 408/115, 181, 241.5; 606/79, 88, 172;  
409/179, 181

(56) **References Cited**

**U.S. PATENT DOCUMENTS**

D. 323,834 \* 2/1992 Fushiya et al. .... D15/133  
D. 326,667 \* 2/1992 Juang ..... D15/127

\* cited by examiner

*Primary Examiner*—Antoine Duval Davis

(74) *Attorney, Agent, or Firm*—Adan Ayala

(57) **CLAIM**

The ornamental design for tables for a planer, as shown and described.

**DESCRIPTION**

FIG. 1 is a left side perspective view from the front of a planer showing my new design;

FIG. 2 is a top plan view of my new design;

FIG. 3 is a back elevational view of my new design;

FIG. 4 is a front elevational view of my new design;

FIG. 5 is a right elevational view of my new design; and,

FIG. 6 is a left elevational view of my new design.

In the attached drawings, any broken line illustration is not part of the design sought to be patented.

**1 Claim, 5 Drawing Sheets**

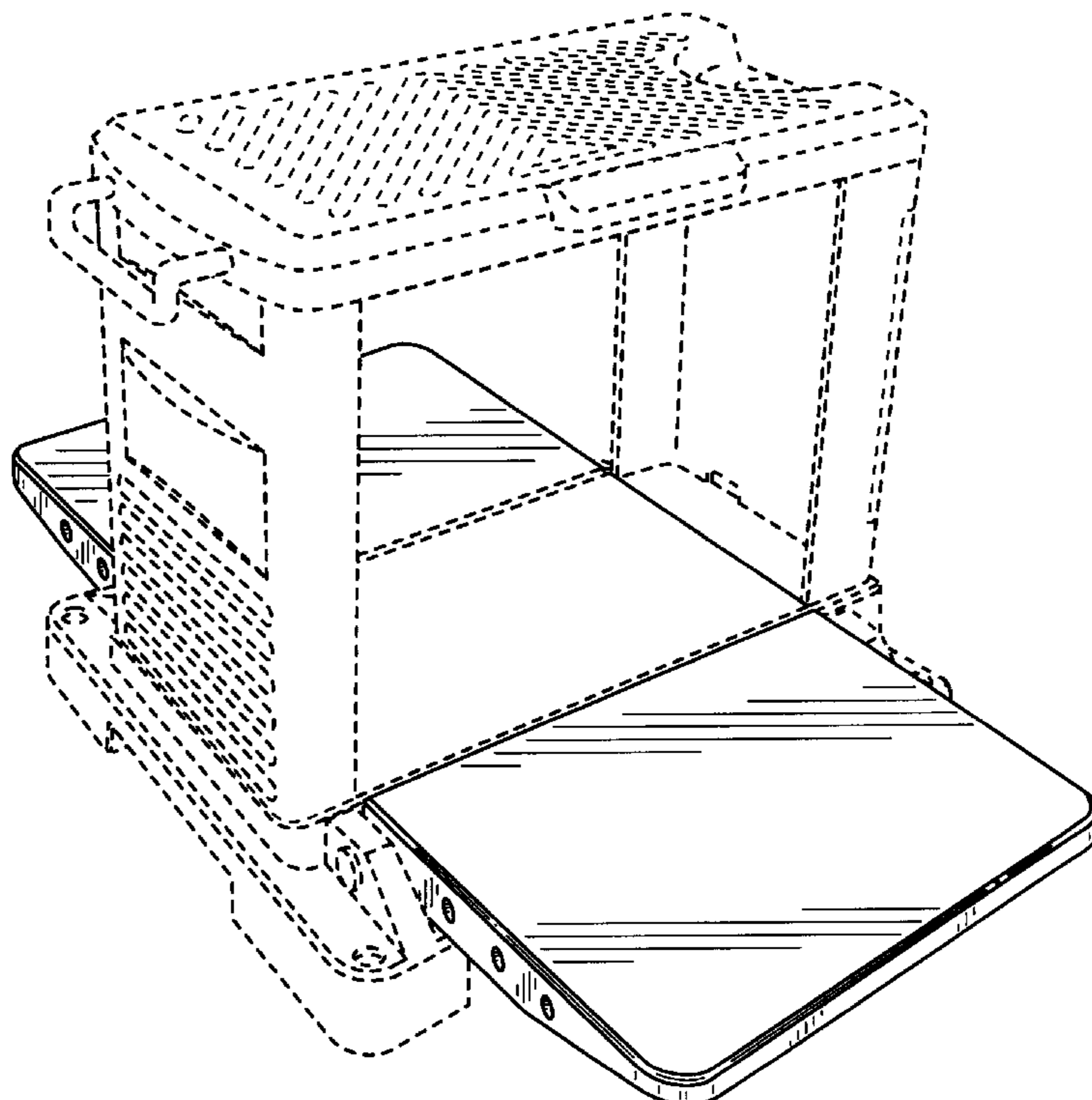


FIG. 1

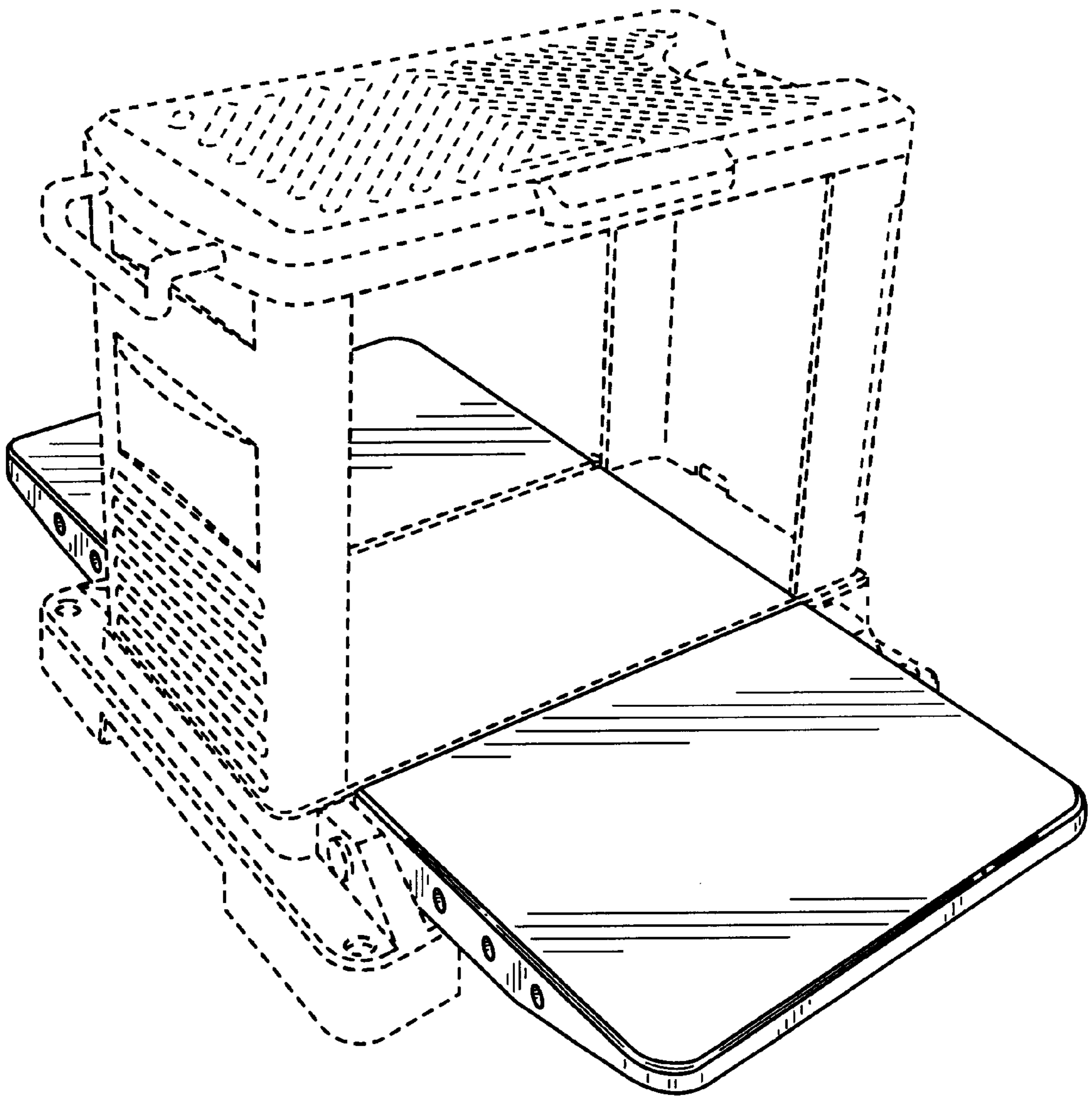


FIG. 2

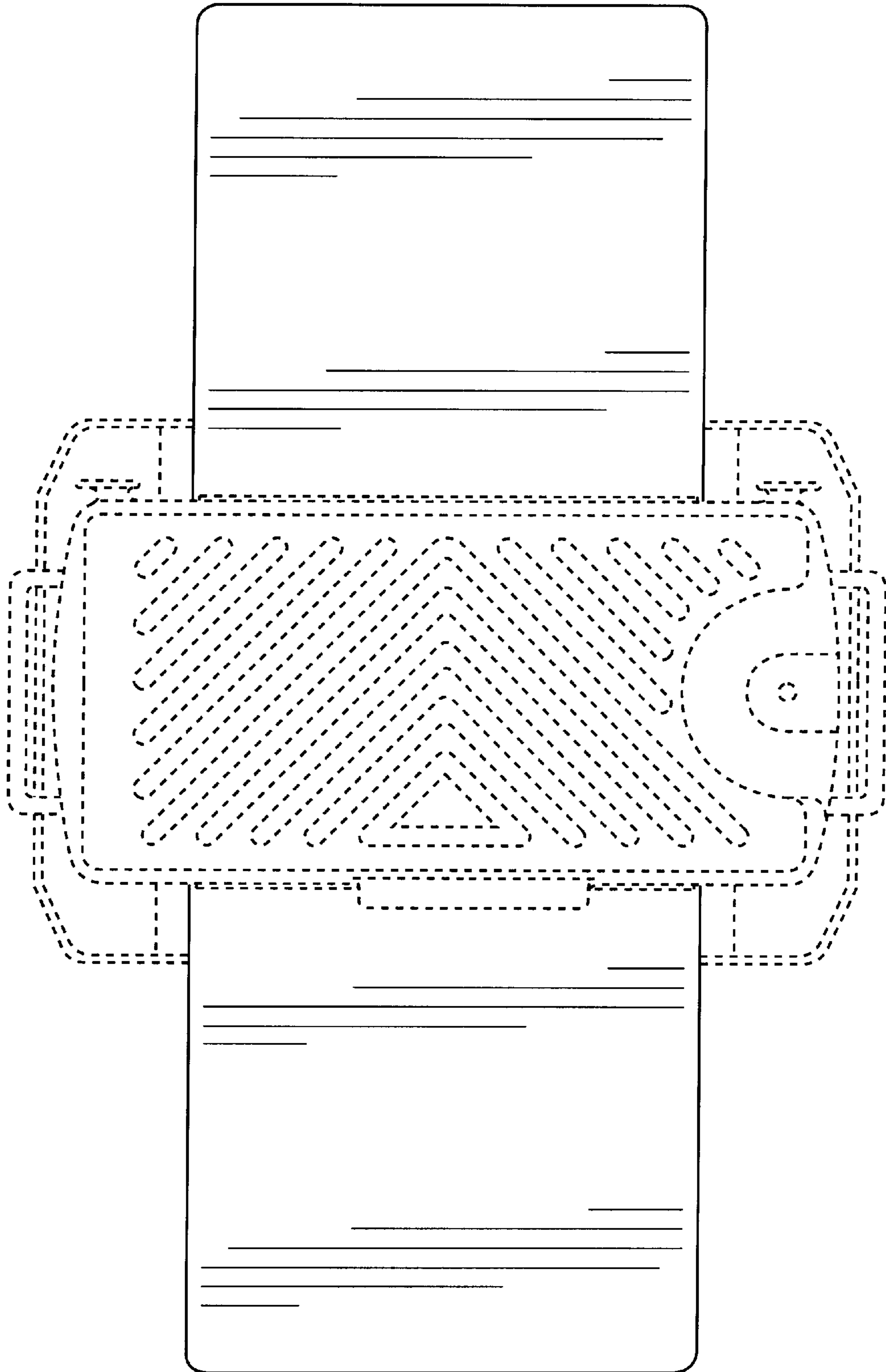


FIG. 3

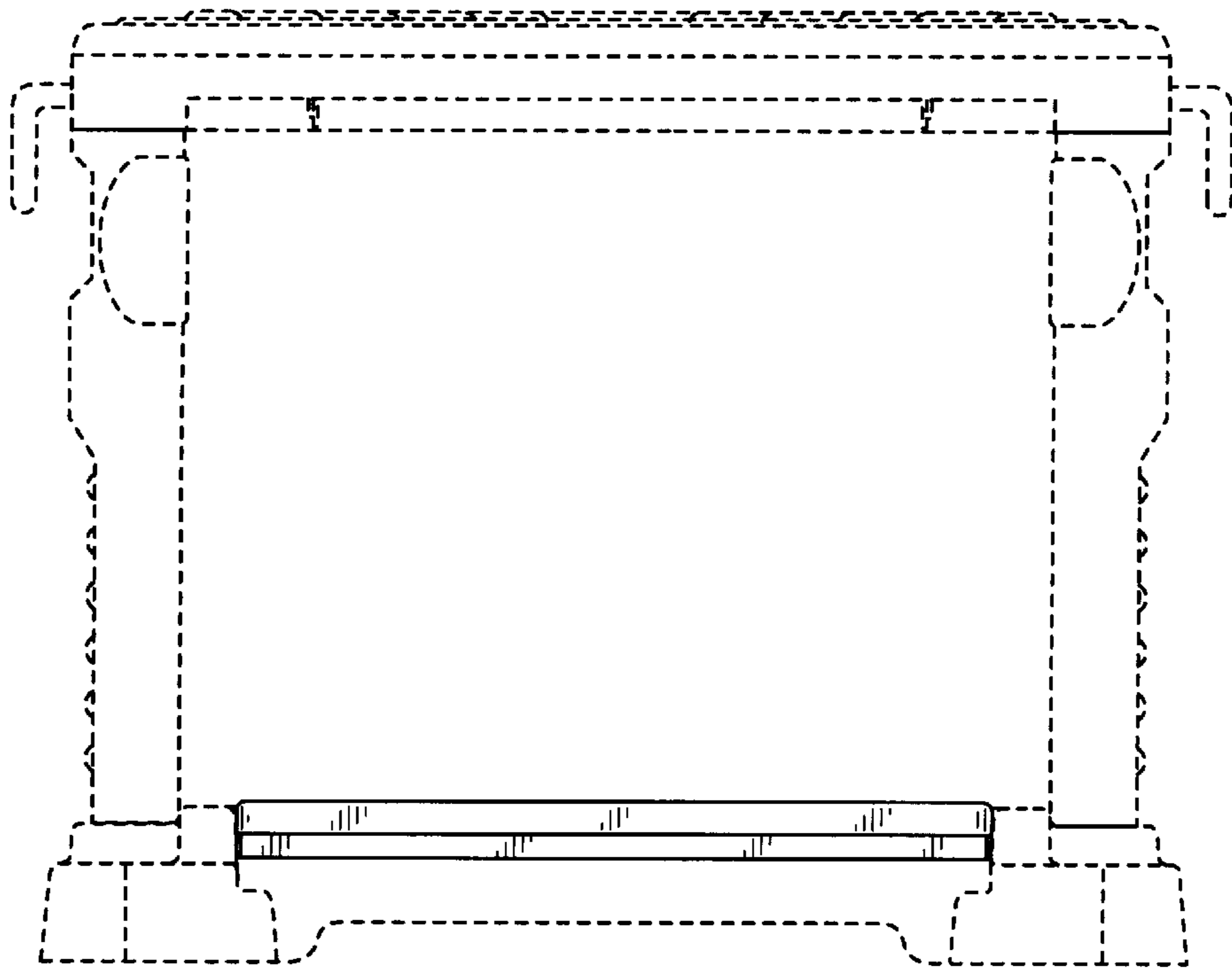


FIG. 4

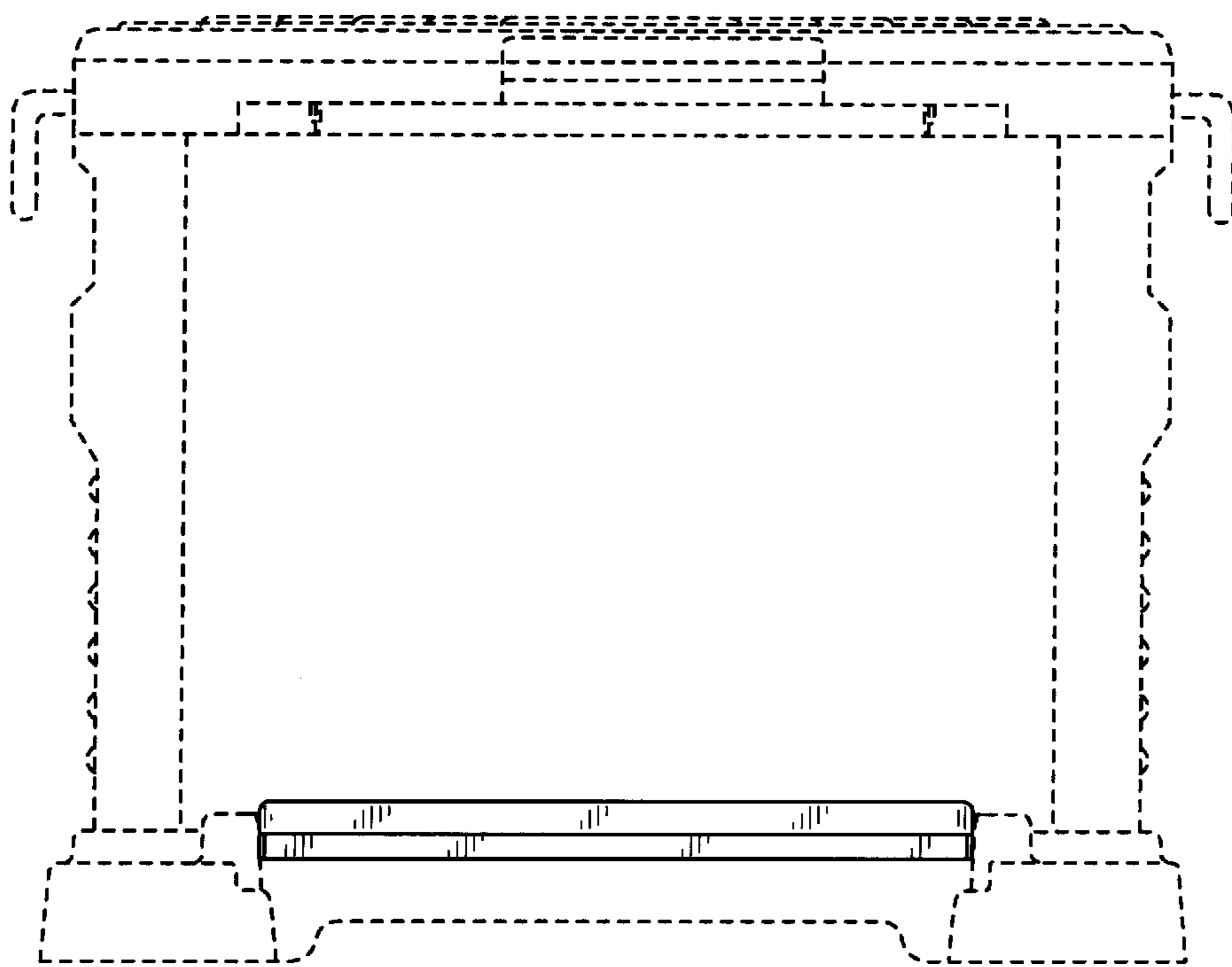


FIG. 5

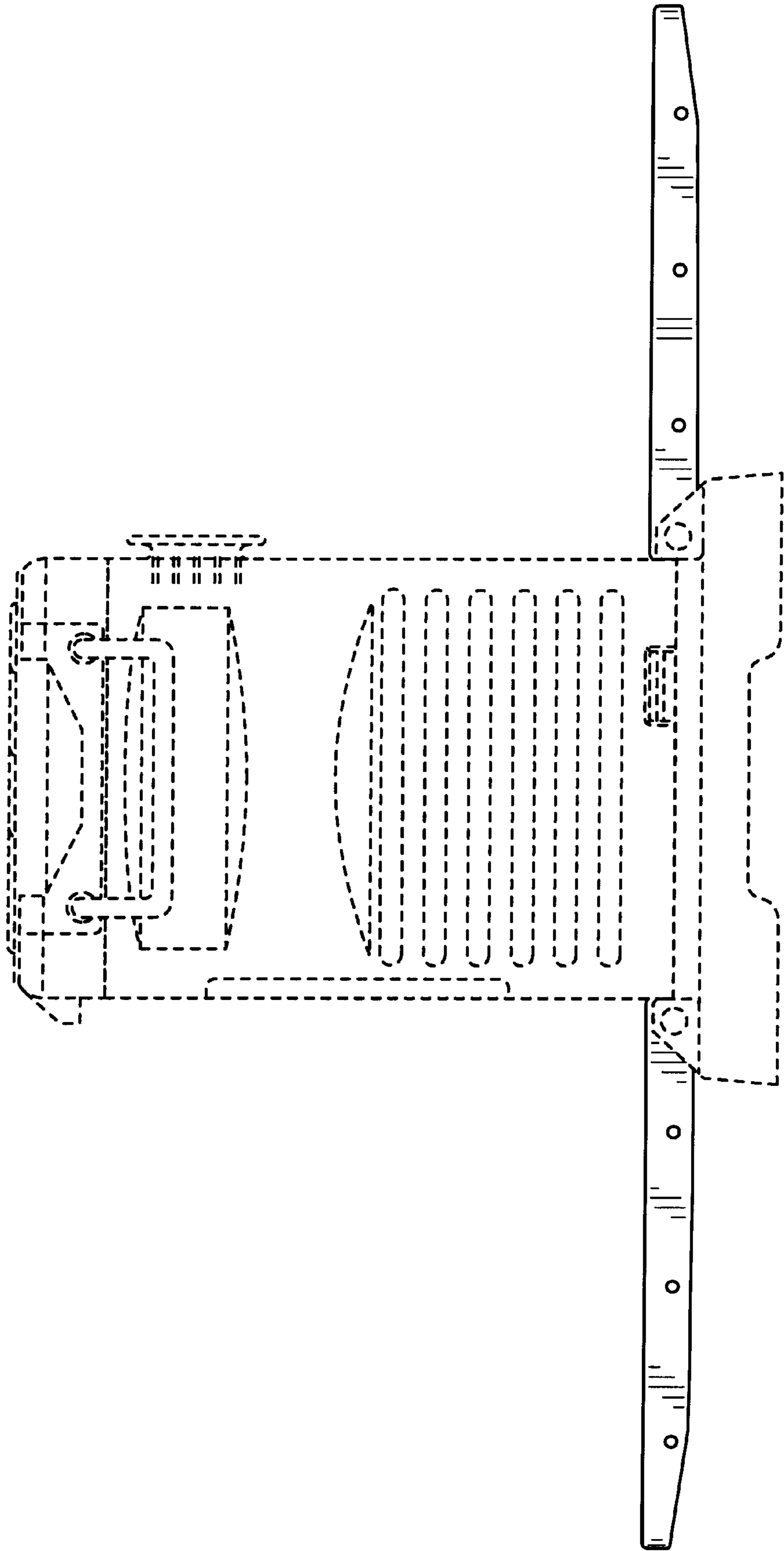


FIG. 6

