



US00D437603S

(12) **United States Design Patent** (10) **Patent No.:** **US D437,603 S**
Liu (45) **Date of Patent:** **** Feb. 13, 2001**

(54) **DEVICE FOR THE APPLICATION OF MECHANICAL FORCE TO A GEL/SENSOR ASSEMBLY**

Primary Examiner—Antoine Duval Davis
(74) *Attorney, Agent, or Firm*—Barbara G. McClung; Robins & Associates

(75) **Inventor:** **David M. Liu**, Los Altos, CA (US)

(57) **CLAIM**

(73) **Assignee:** **Cygnus, Inc.**

The ornamental design for a device for the application of mechanical force to a gel/sensor assembly, as shown and described.

(**) **Term:** **14 Years**

DESCRIPTION

(21) **Appl. No.:** **29/120,510**

FIG. 1 is a perspective view of a closed device for the application of mechanical force to a gel/sensor assembly showing the new design.

(22) **Filed:** **Mar. 20, 2000**

FIG. 2 is a perspective view of an opened device for the application of mechanical force to a gel/sensor assembly.

Related U.S. Application Data

(63) Continuation of application No. 09/398,984, filed on Sep. 17, 1999.

FIG. 3 is a top plan view of the device for the application of mechanical force to a gel/sensor assembly.

(60) Provisional application No. 60/100,918, filed on Sep. 17, 1998.

FIG. 4 is a bottom plan view of the device for the application of mechanical force to a gel/sensor assembly.

(51) **LOC (7) Cl.** **15-09**

(52) **U.S. Cl.** **D15/123**

FIG. 5 is a side elevation view of a first side of the device for the application of mechanical force to a gel/sensor assembly.

(58) **Field of Search** D15/122, 123;

D24/220; 241/168, 169, 169.2, 262, 100, DIG. 27

FIG. 6 is a front elevation view of the device for the application of mechanical force to a gel/sensor assembly.

(56) **References Cited**

U.S. PATENT DOCUMENTS

D. 360,213 * 7/1995 Gonzalez D15/123

D. 405,889 * 2/1999 Parsons D24/220

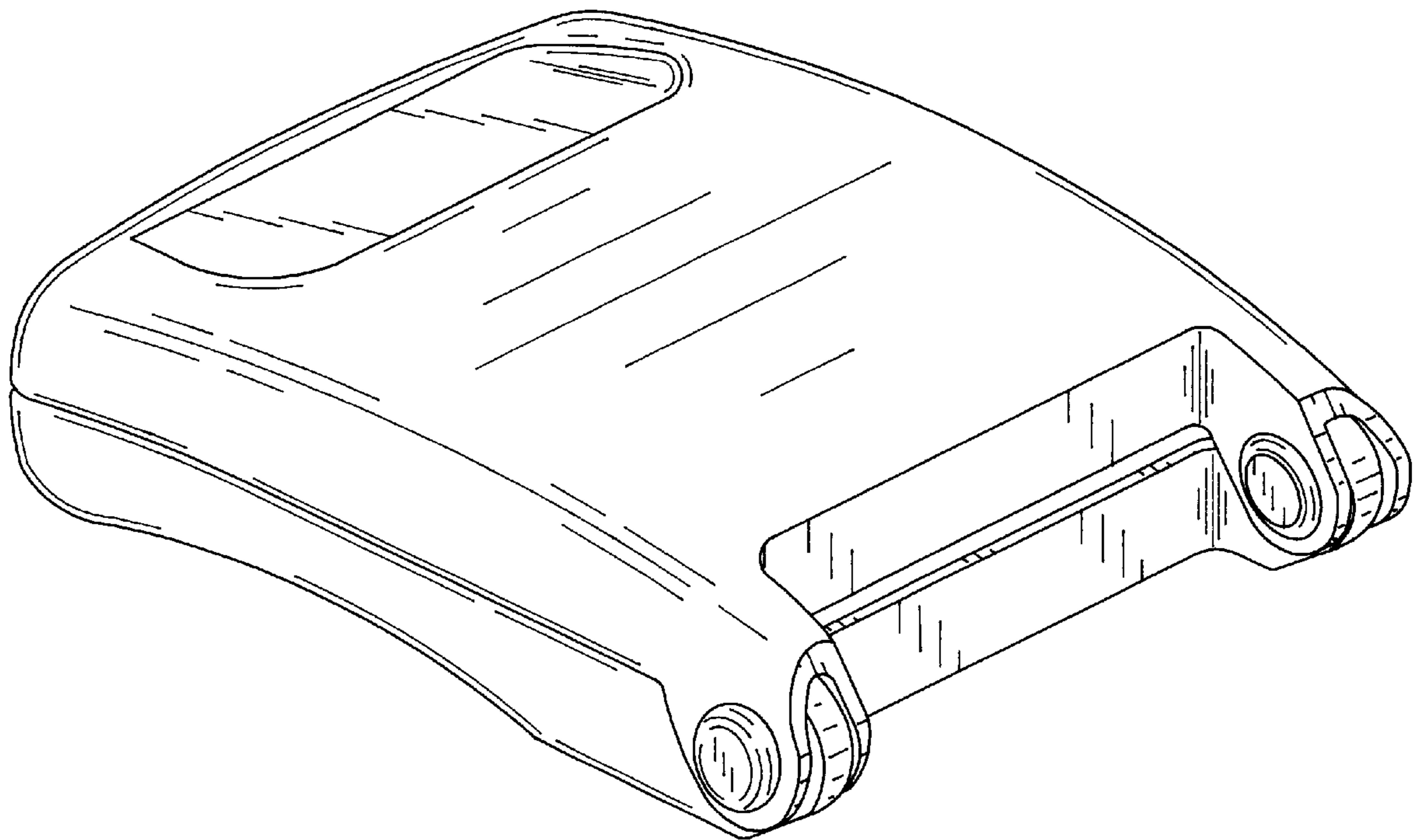
3,915,393 * 10/1975 Elkins 241/168

FIG. 7 is a rear elevation view of the device for the application of mechanical force to a gel/sensor assembly; and,

FIG. 8 is a side elevation view of a second side of the device for the application of mechanical force to a gel/sensor assembly.

* cited by examiner

1 Claim, 8 Drawing Sheets



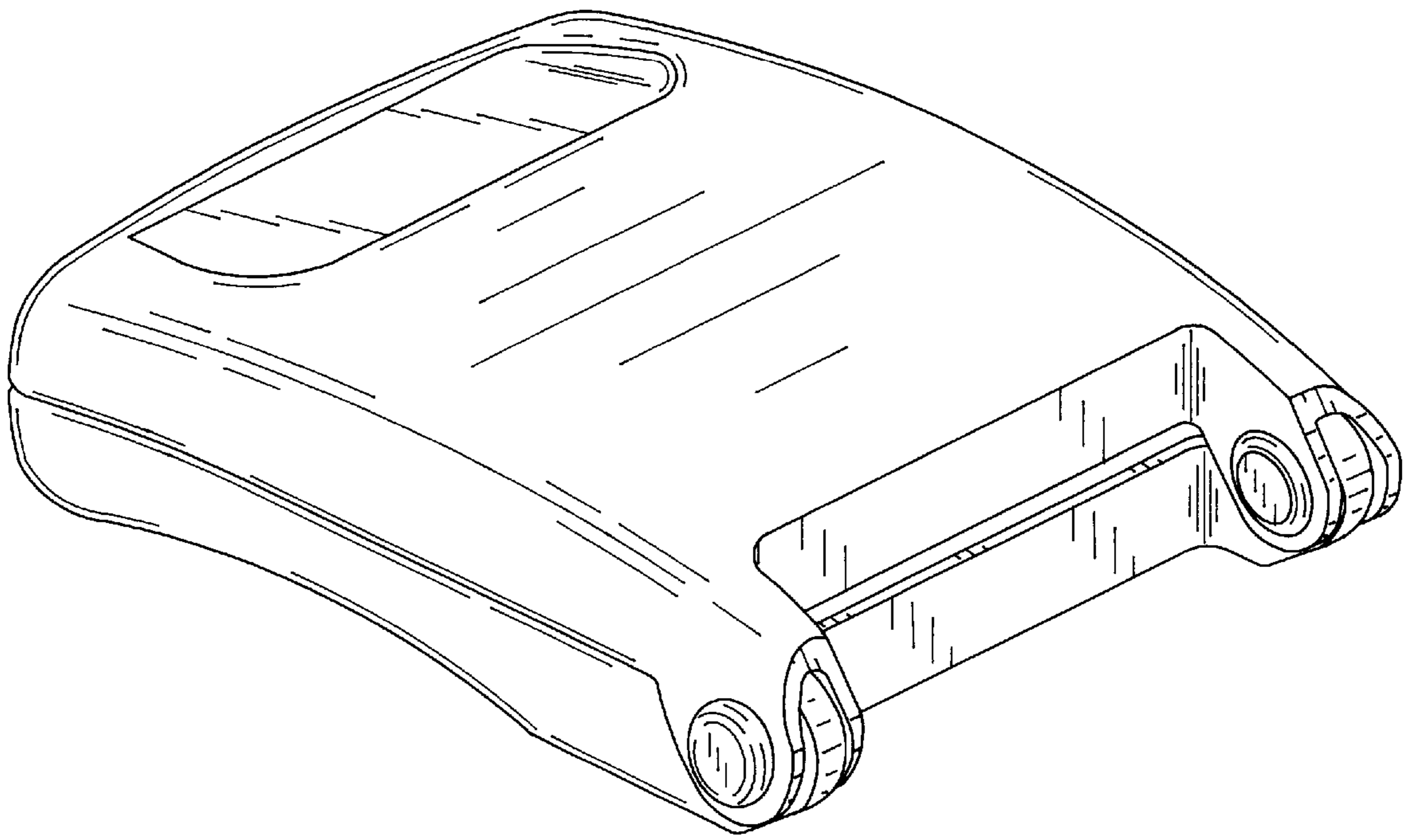


FIG. 1

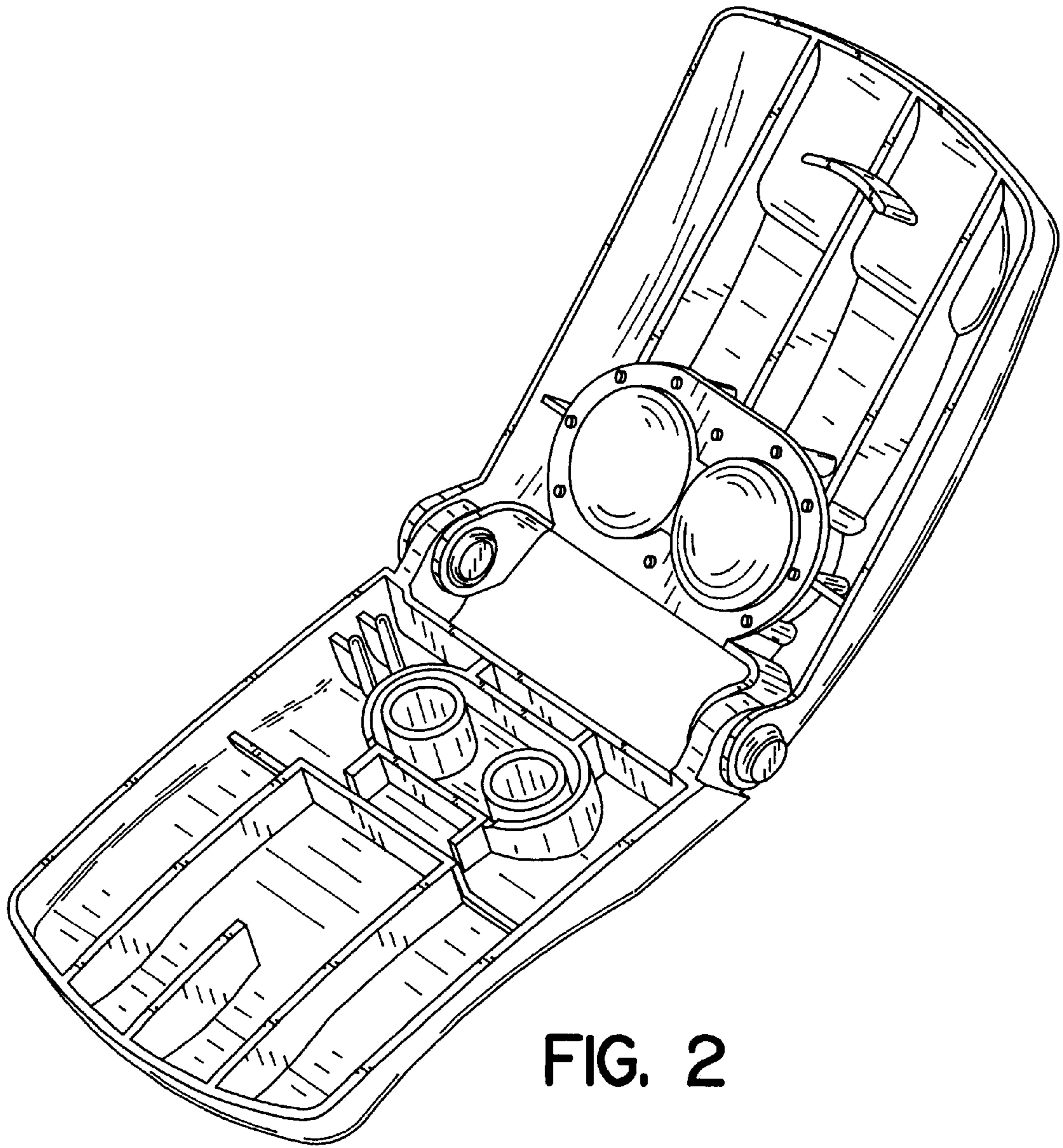


FIG. 2

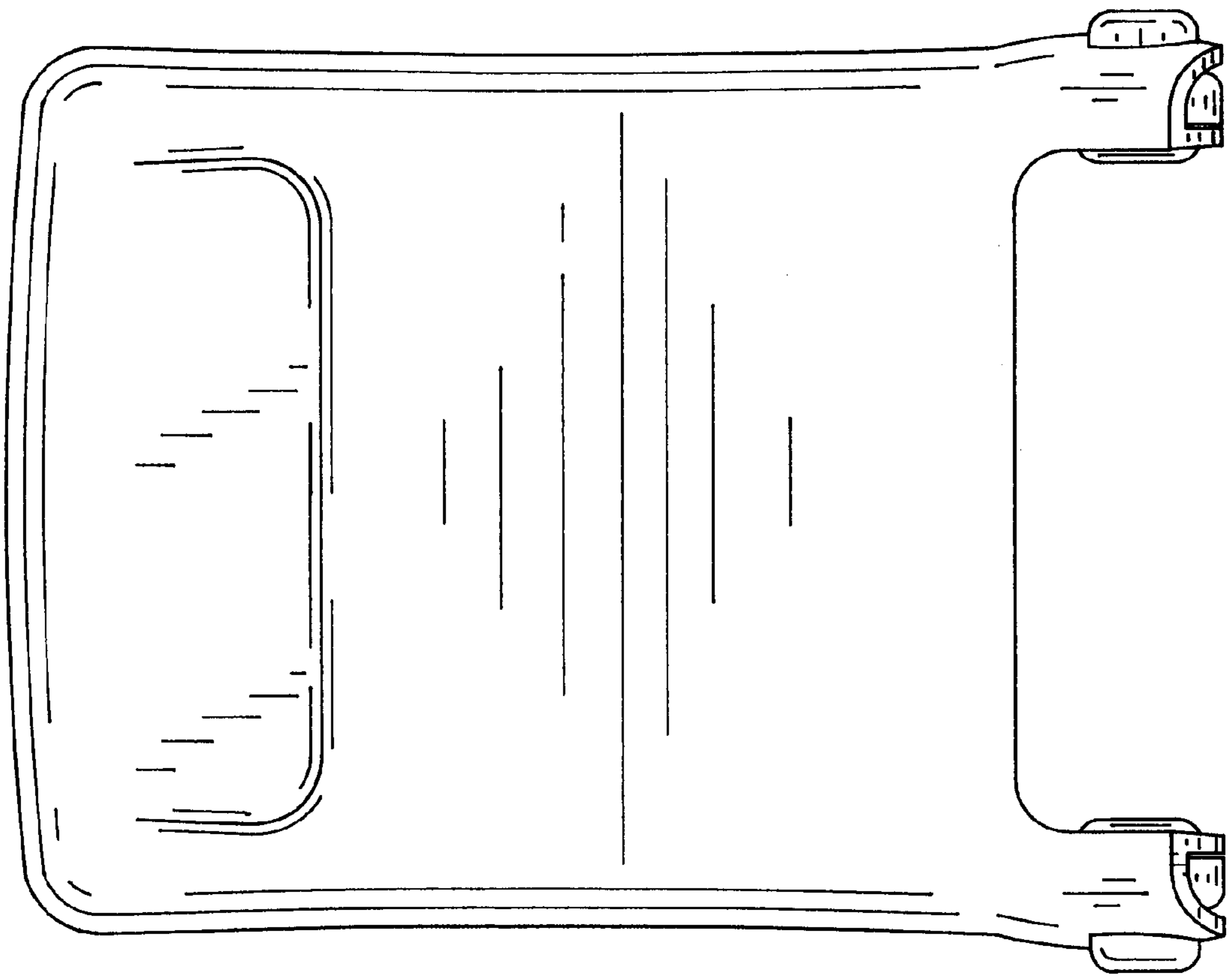


FIG. 3

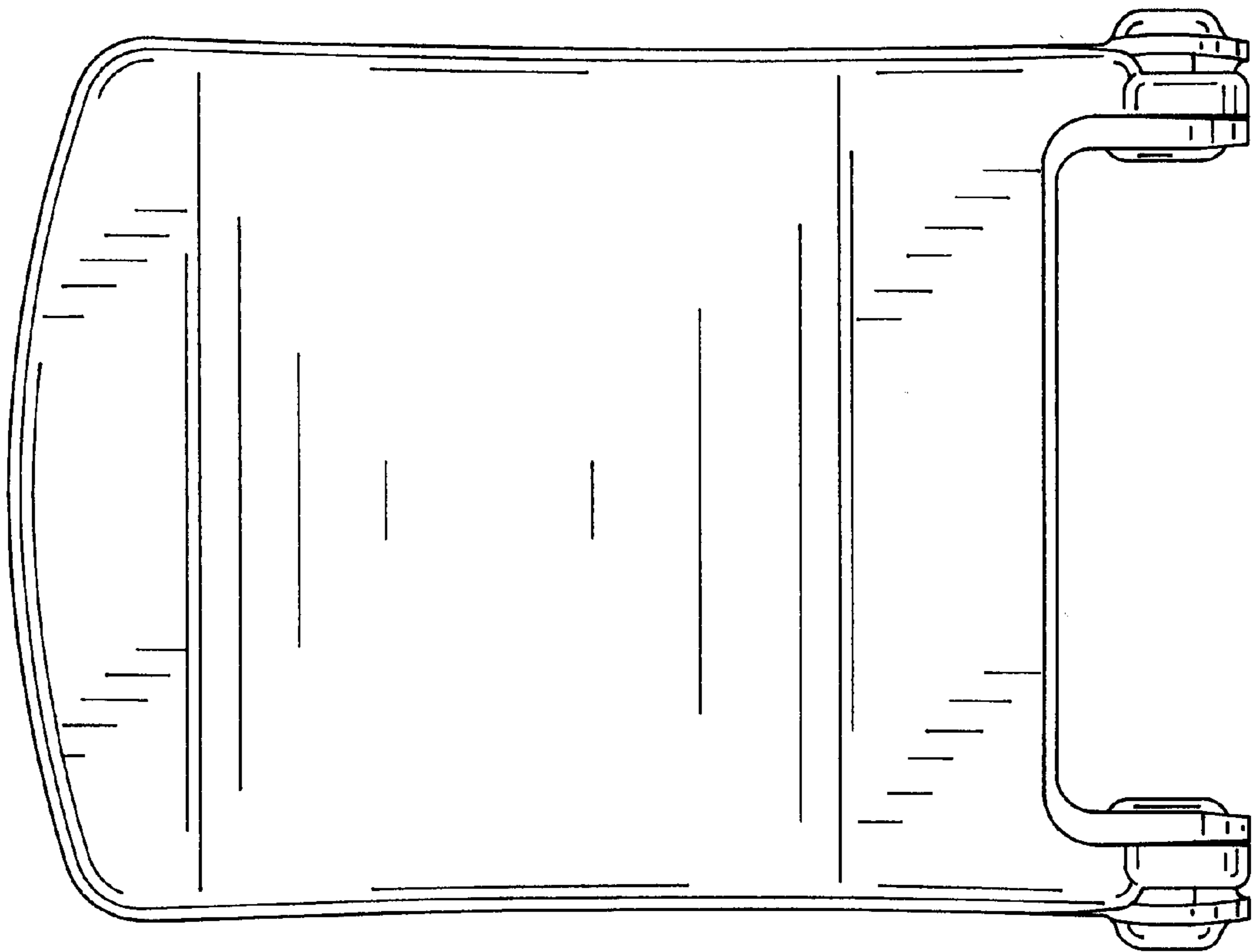


FIG. 4

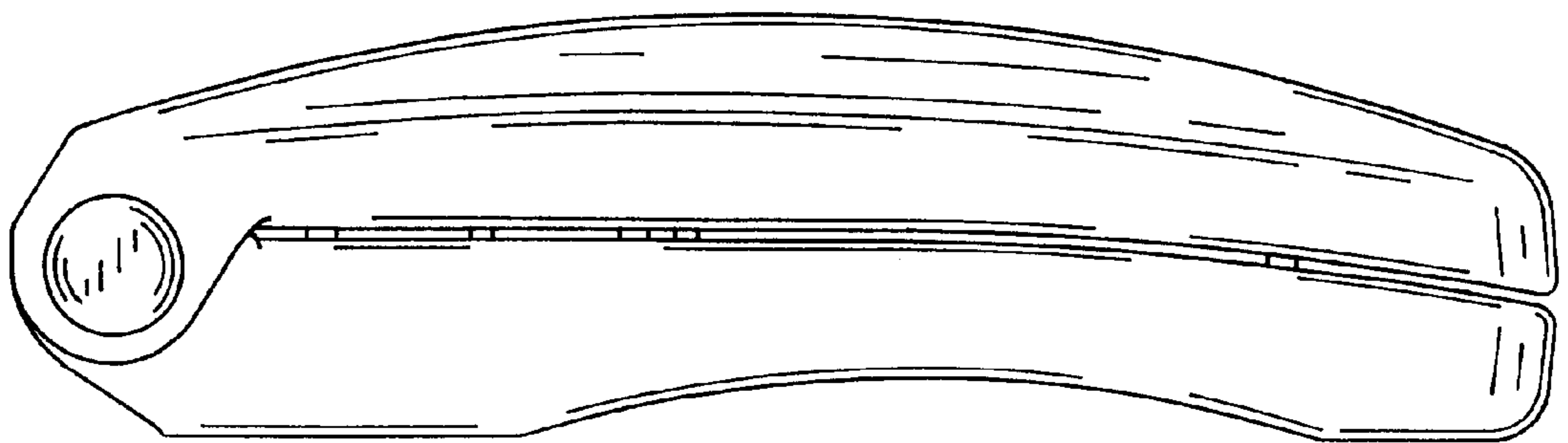


FIG. 5

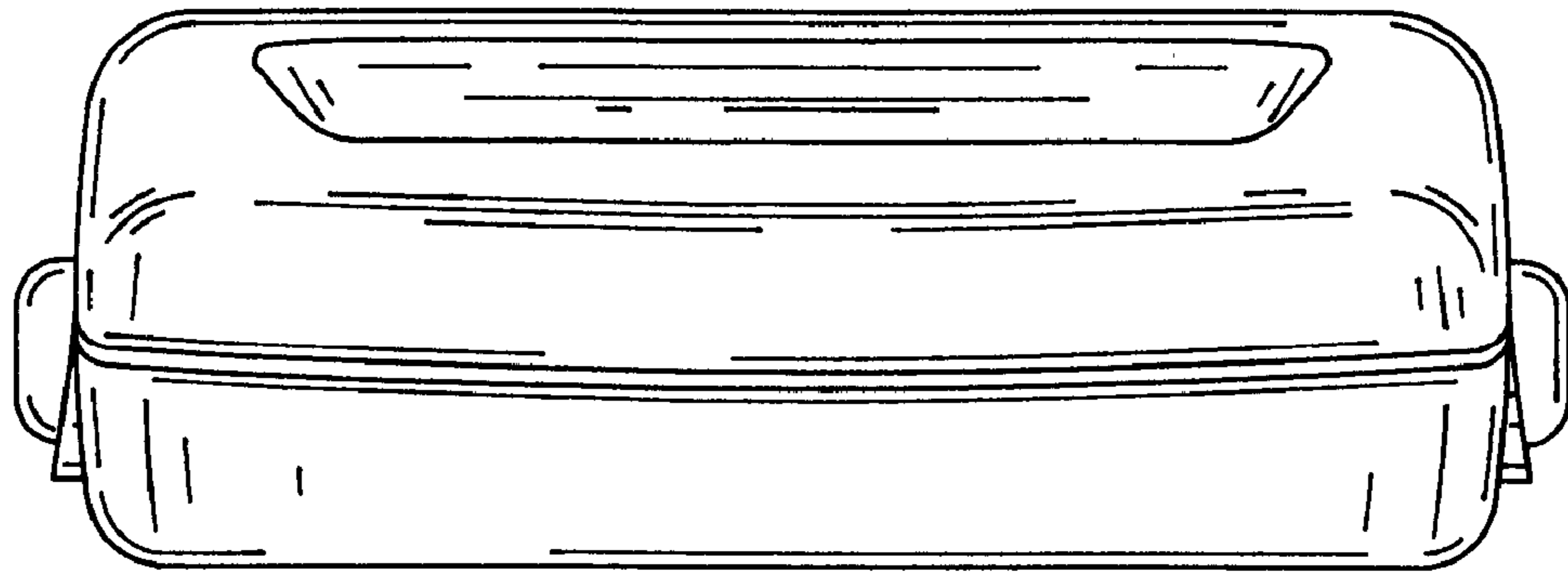


FIG. 6

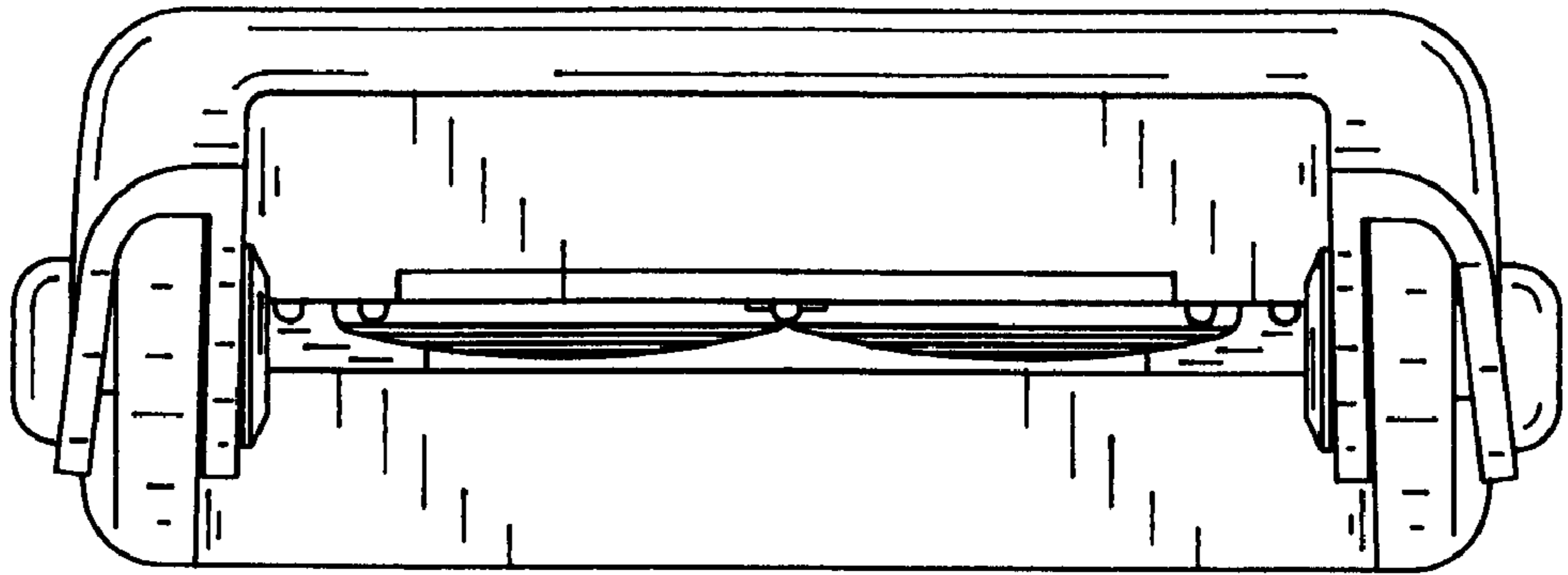


FIG. 7

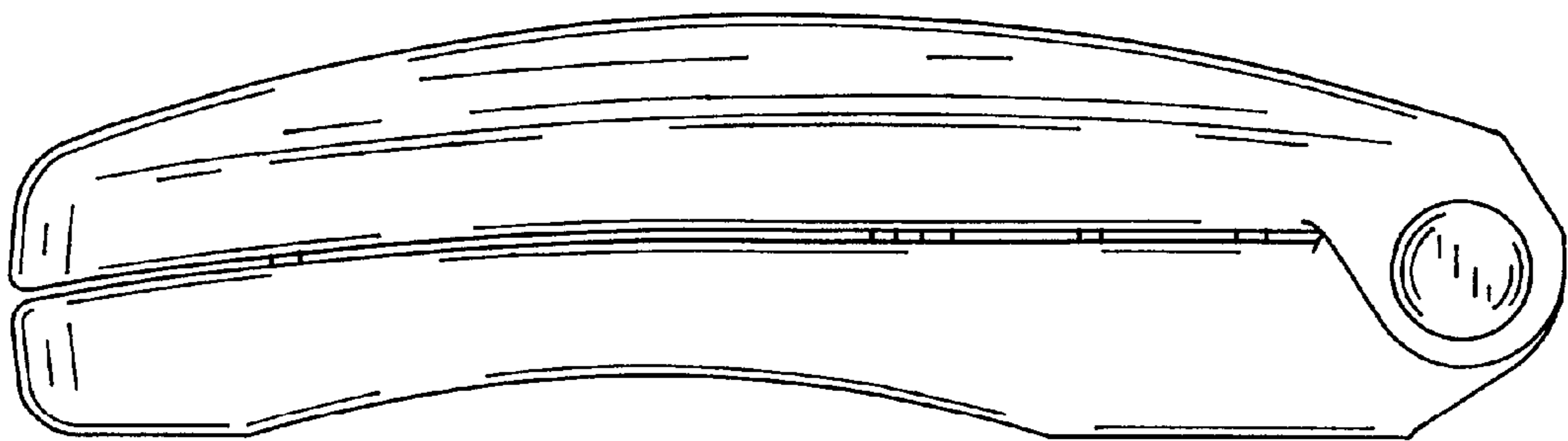


FIG. 8