



US00D437602S

(12) **United States Design Patent**
Hiraoka et al.

(10) **Patent No.:** **US D437,602 S**

(45) **Date of Patent:** **** Feb. 13, 2001**

(54) **HYDRAULIC EXCAVATOR**

(75) Inventors: **Kazuhiko Hiraoka**, Kodaira; **Shingo Hirose**, Kunitachi; **Kazuhiko Nishiyama**, Tokyo; **Akitaka Takeuchi**, Kodaira; **Yoshiki Yoshida**, Iruma; **Toichi Hirata**, Ushiku; **Masaki Kanahara**, Ibaraki-ken; **Tsuyoshi Sakyo**, Ibaraki-ken; **Yasushi Konomura**, Ibaraki-ken; **Koji Tahara**, Shimodate; **Kazuhisa Tamura**, Ishioka, all of (JP)

(73) Assignee: **Hitachi Construction Machinery Co., Ltd.**, Tokyo (JP)

(**) Term: **14 Years**

(21) Appl. No.: **29/106,979**

(22) Filed: **Jun. 28, 1999**

(30) **Foreign Application Priority Data**

Dec. 28, 1998 (JP) 10-38677

(51) **LOC (7) Cl.** **15-04**

(52) **U.S. Cl.** **D15/25**

(58) **Field of Search** D15/10, 22-26;
37/403, 411, 443; 414/685, 686, 688, 722-724;
180/89.13

(56) **References Cited**

U.S. PATENT DOCUMENTS

D. 271,396	*	11/1983	Inui	D15/24
D. 391,272	*	2/1998	Jin et al.	D15/25
3,902,295	*	9/1975	Yancey	414/722
4,069,637	*	1/1978	Braithwaite	37/443
4,397,481	*	8/1983	Dion et al.	280/781
5,493,796	*	2/1996	Ballew	414/722
5,544,435	*	8/1996	Somero	37/403
5,590,482	*	1/1997	Peterson et al.	37/403

* cited by examiner

Primary Examiner—Sandra L. Morris

(74) *Attorney, Agent, or Firm*—Antonelli, Terry, Stout & Kraus, LLP.

(57) **CLAIM**

The ornamental design for a hydraulic excavator, as shown and described.

DESCRIPTION

FIG. 1 is a front elevational view of a hydraulic excavator showing our new design;

FIG. 2 is a rear elevational view thereof;

FIG. 3 is a top plan view thereof;

FIG. 4 is a right side elevational view thereof;

FIG. 5 is a left side elevational view thereof; and,

FIG. 6 is a bottom plan view thereof.

1 Claim, 5 Drawing Sheets

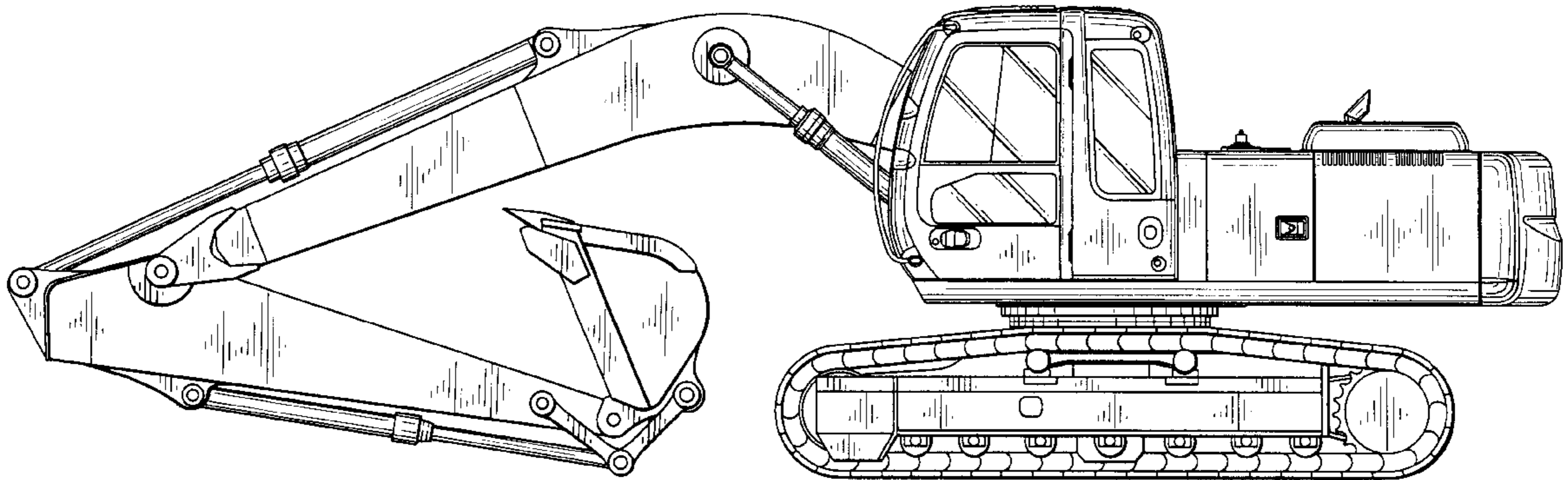


FIG. 2

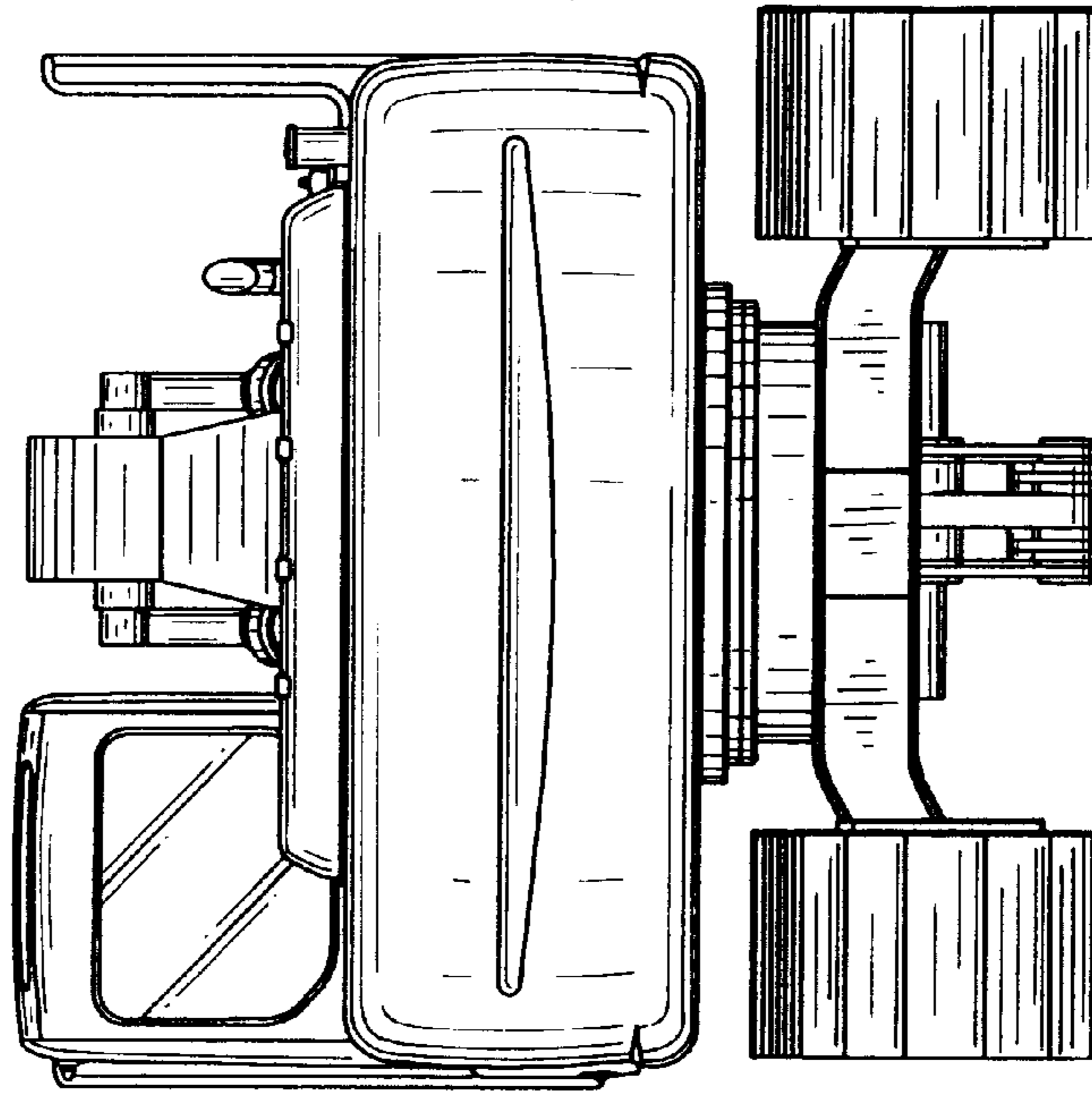


FIG. 1

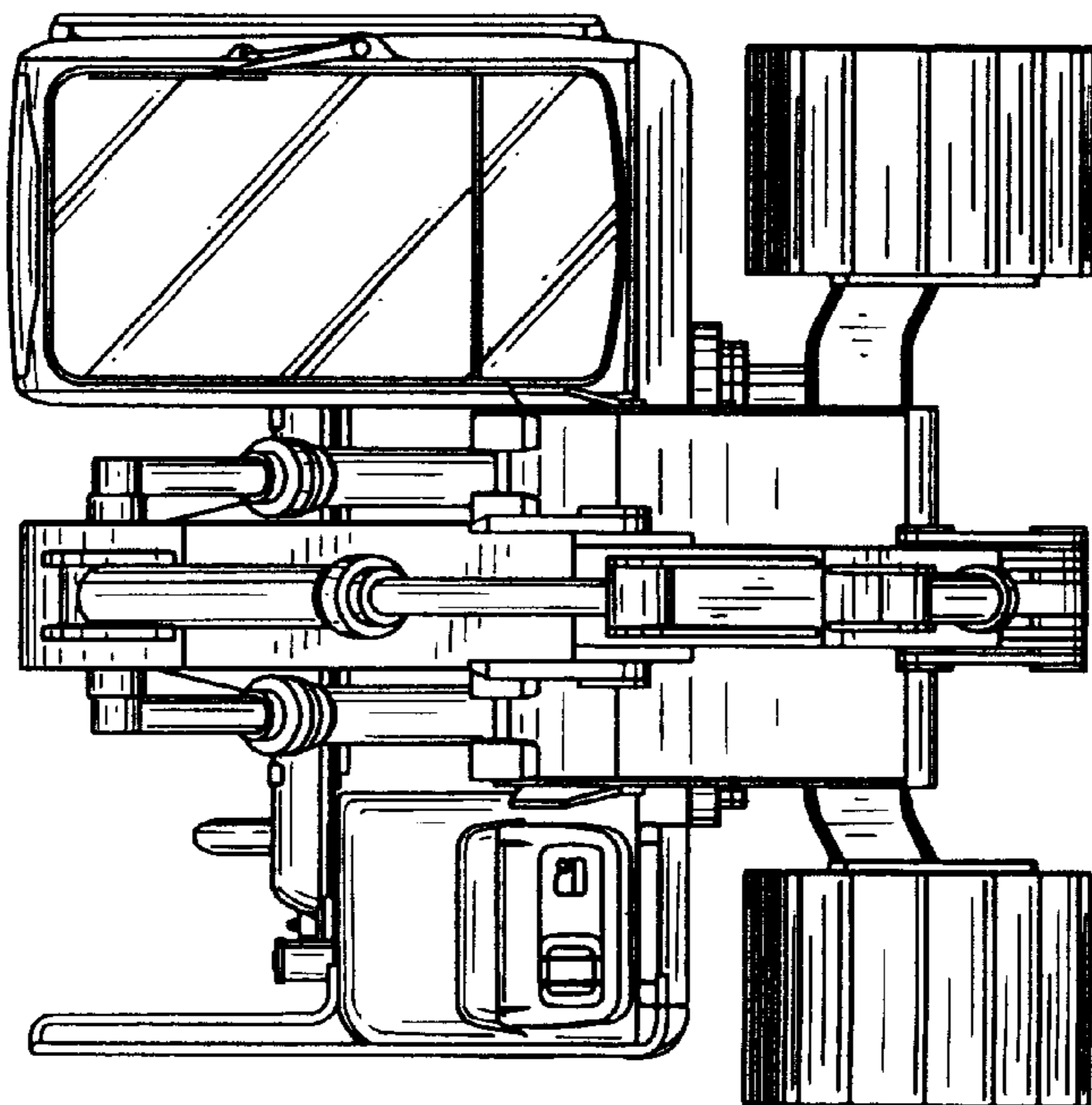


FIG. 3

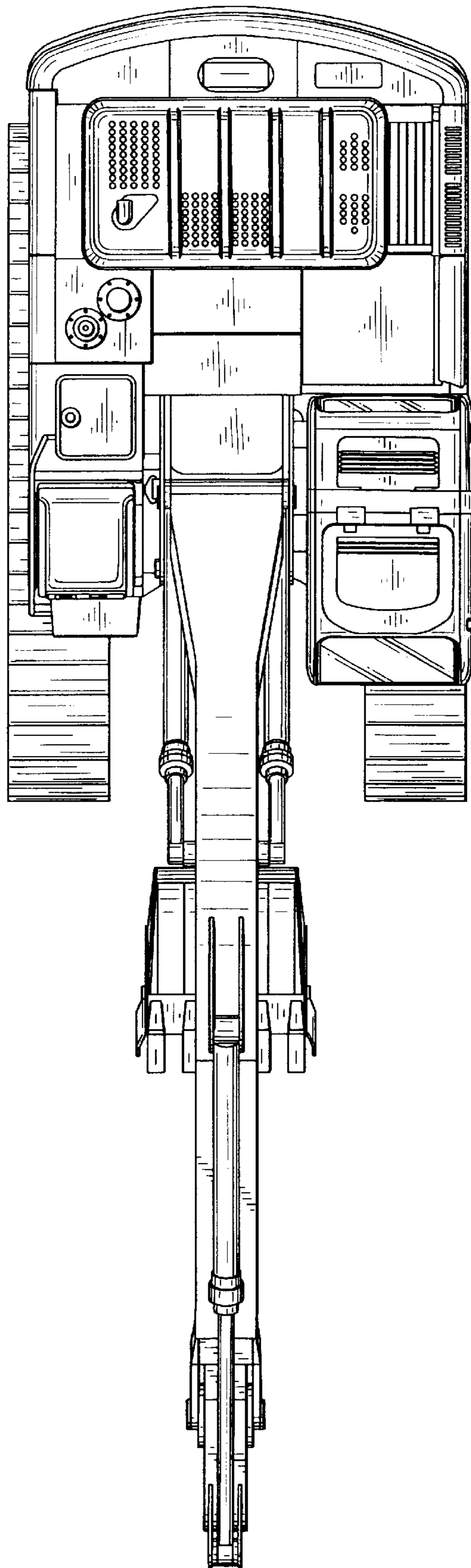


FIG. 4

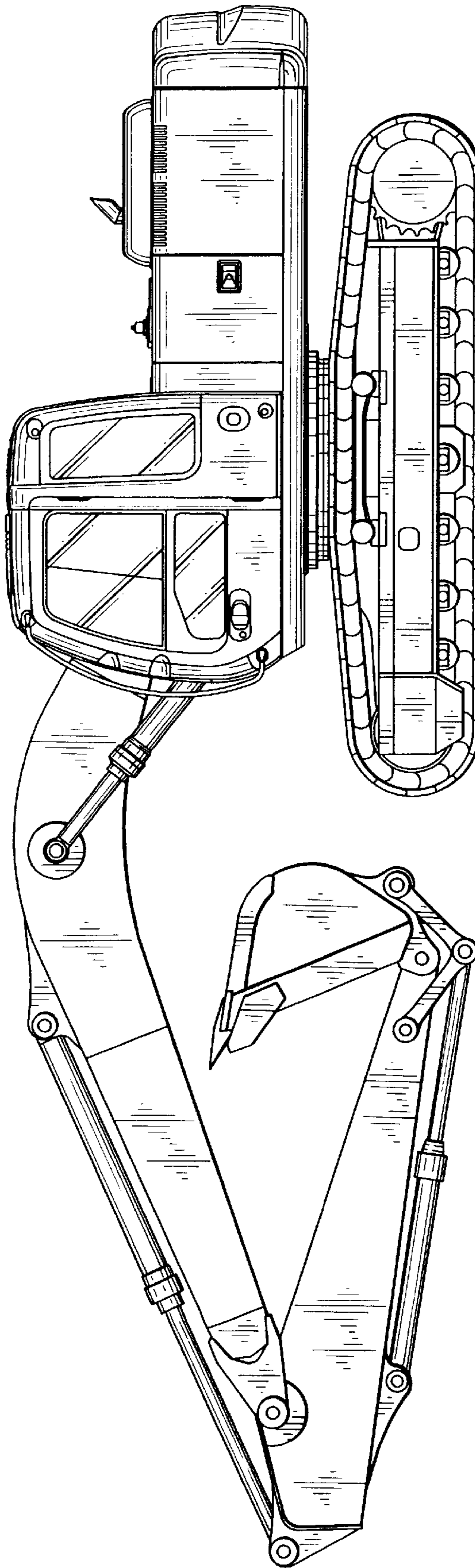


FIG. 5

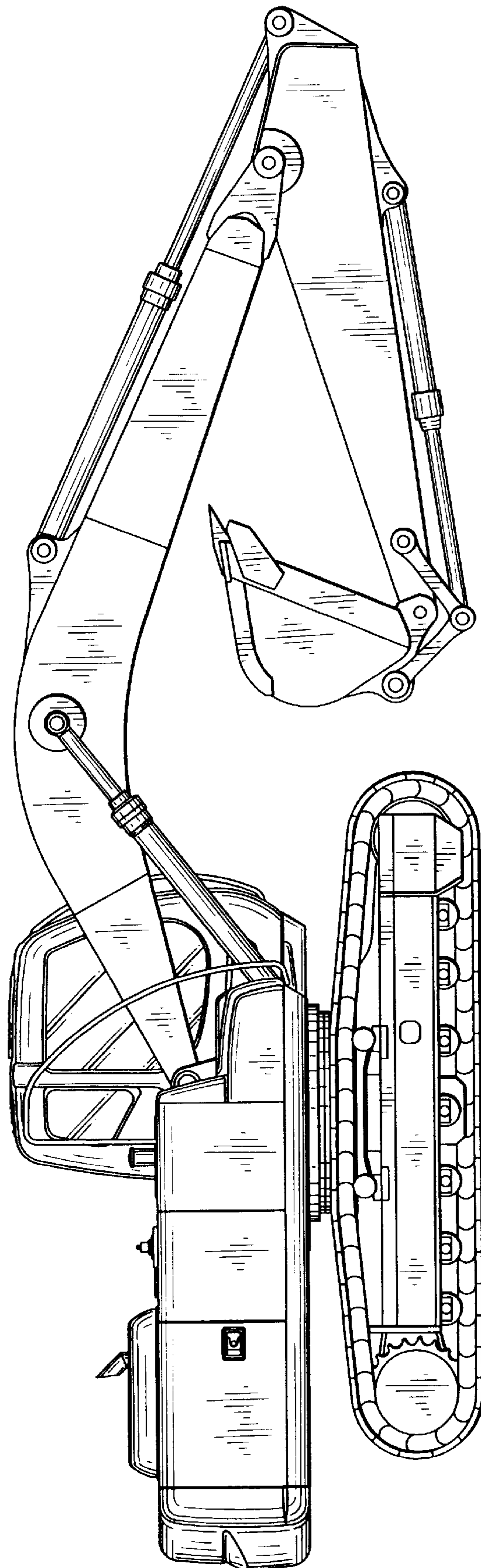


FIG. 6

