



US00D437600S

(12) **United States Design Patent**  
**Calfee**

(10) **Patent No.:** **US D437,600 S**

(45) **Date of Patent:** **\*\* Feb. 13, 2001**

(54) **DOCUMENT HOLDER**

(75) Inventor: **Clifford T. Calfee**, Richardson, TX (US)

(73) Assignee: **Vu RYTE, Inc.**, Tyler, TX (US)

(\*\*) Term: **14 Years**

(21) Appl. No.: **29/092,024**

(22) Filed: **Aug. 10, 1998**

(51) **LOC (7) Cl.** ..... **14-02**

(52) **U.S. Cl.** ..... **D14/447; D19/91; D14/451**

(58) **Field of Search** ..... D14/100-114,  
D14/439, 447, 448, 451, 432; D19/91,  
92; 248/442.2, 447, 918, 441.1

(56) **References Cited**

**U.S. PATENT DOCUMENTS**

D. 261,533	*	10/1981	Nagley	.....	D19/91
D. 262,978	*	2/1982	Nagley	.....	D19/91
1,811,118		6/1931	Fischer	.	
2,306,659		12/1942	Wise	.	
2,505,814		5/1950	Voorhorst	.....	120/28
2,711,716		6/1955	Ziegler	.....	120/32
4,436,271		3/1984	Manso	.....	248/460

4,863,124	9/1989	Ball et al.	.....	108/28	
5,104,086	4/1992	Ramey, III	.....	248/442.2	
5,443,237	*	8/1995	Stadtmauer	.....	248/441.1
5,651,524	7/1997	Calfee	.....	248/442.2	

\* cited by examiner

*Primary Examiner*—Kay H. Chin

(74) *Attorney, Agent, or Firm*—Dennis T. Griggs

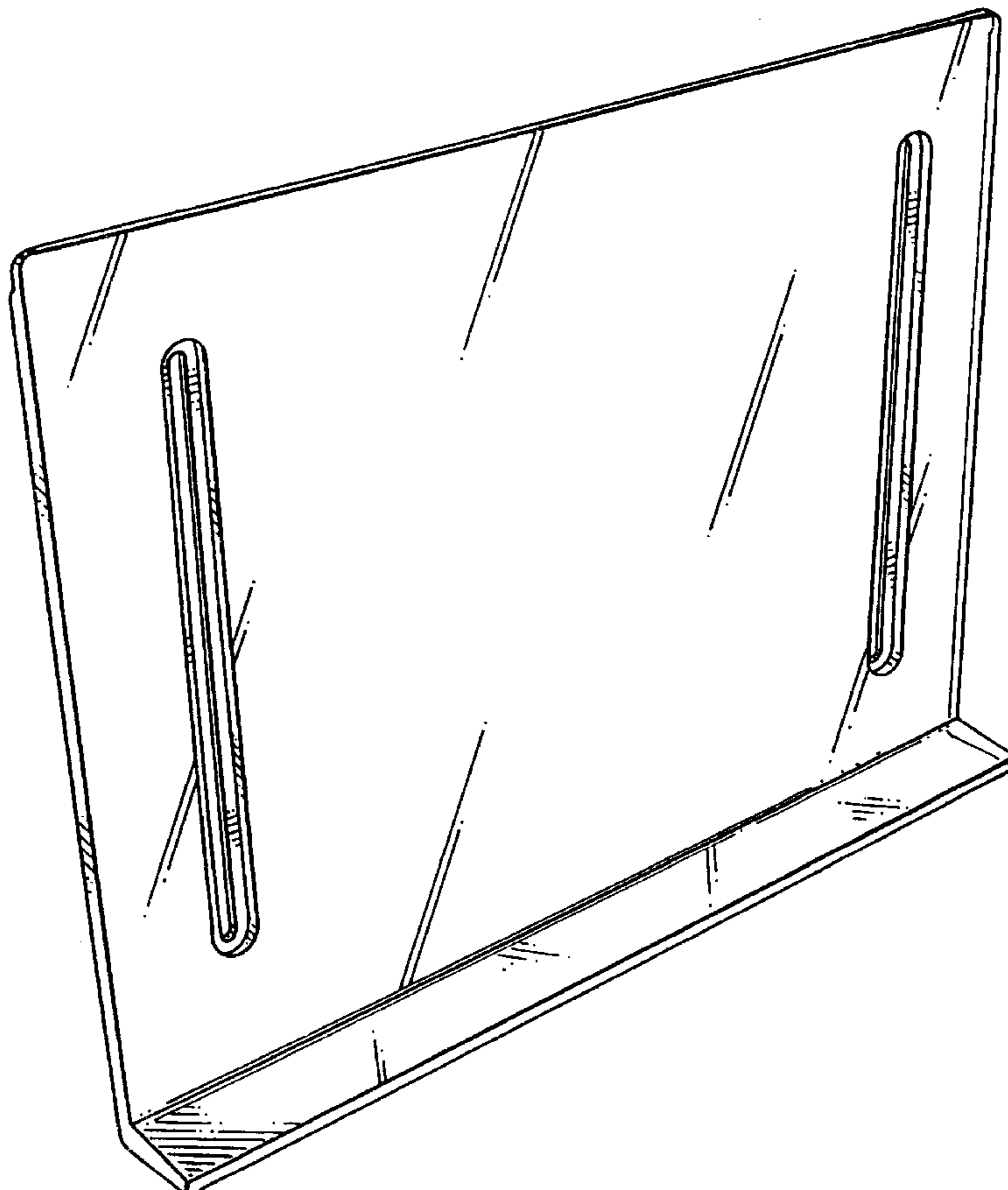
(57) **CLAIM**

The ornamental design for a document holder, as shown and described.

**DESCRIPTION**

FIG. 1 is a front perspective view of a document holder showing my new design;  
 FIG. 2 is a top plan view thereof;  
 FIG. 3 is a left side elevational view thereof, the right side elevational view being a mirror image thereof;  
 FIG. 4 is a bottom plan view thereof;  
 FIG. 5 is a front elevational view thereof;  
 FIG. 6 is a rear elevational view thereof; and,  
 FIG. 7 is a perspective view thereof, with the dashed lines showing the outline of a desk top computer for illustrative purposes only and forming no part of the claimed design.

**1 Claim, 5 Drawing Sheets**



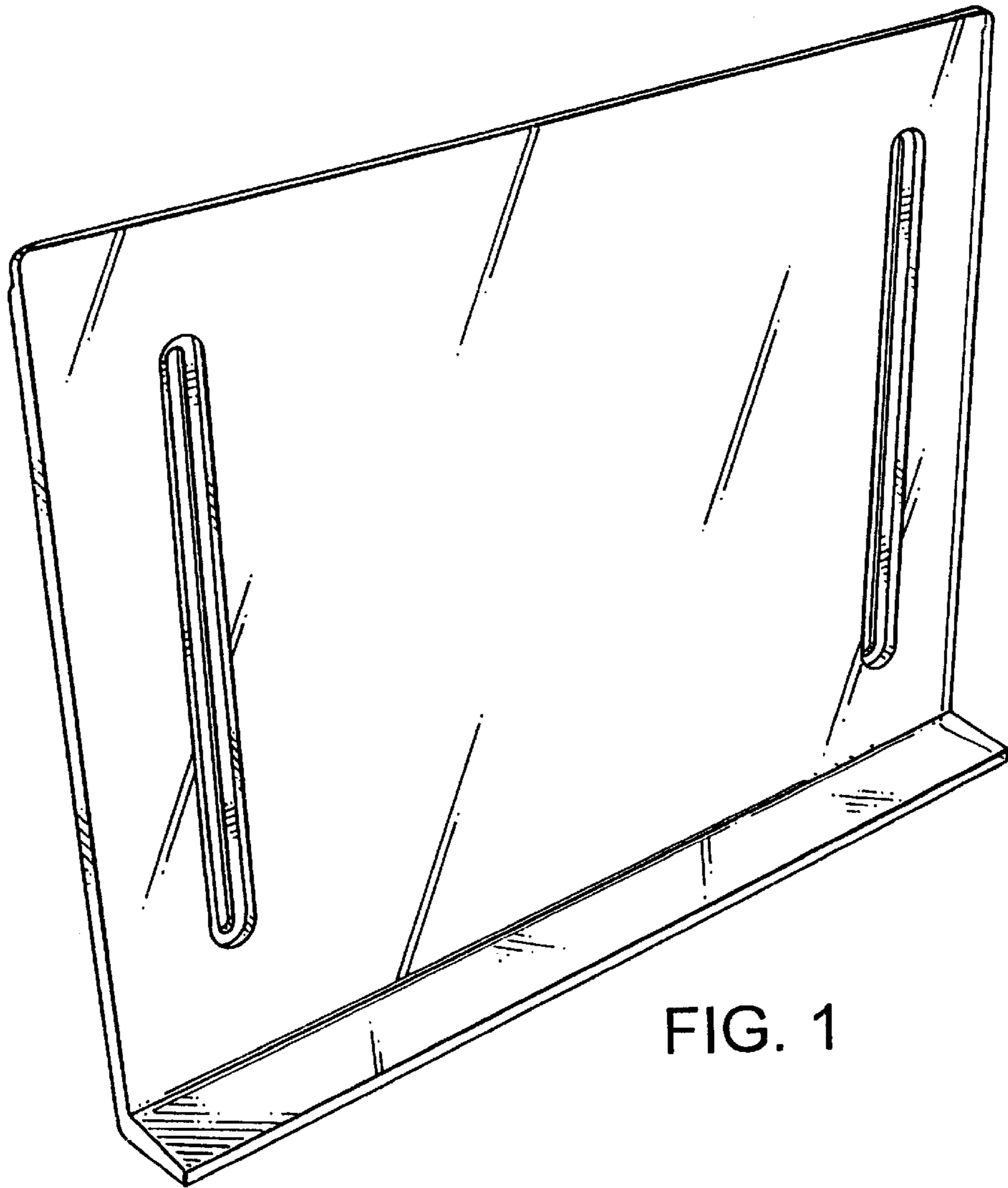


FIG. 1

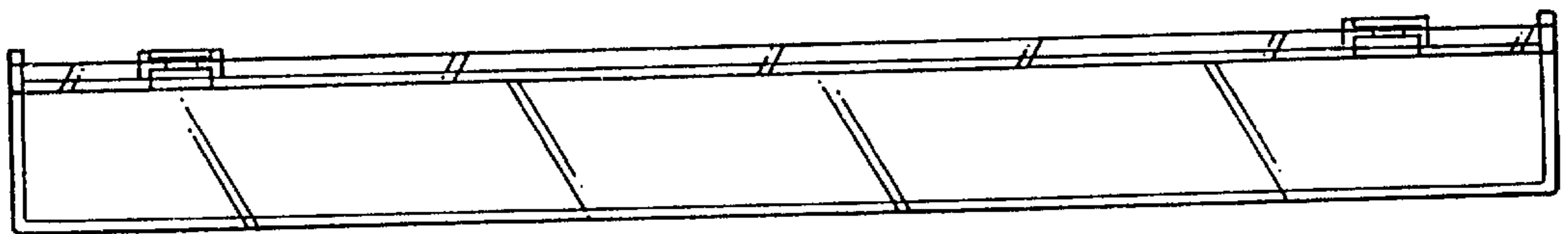


FIG. 2

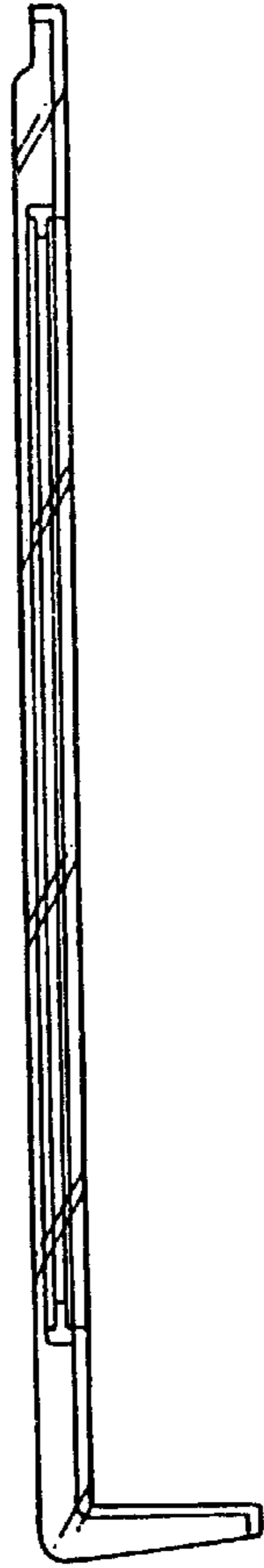


FIG. 3

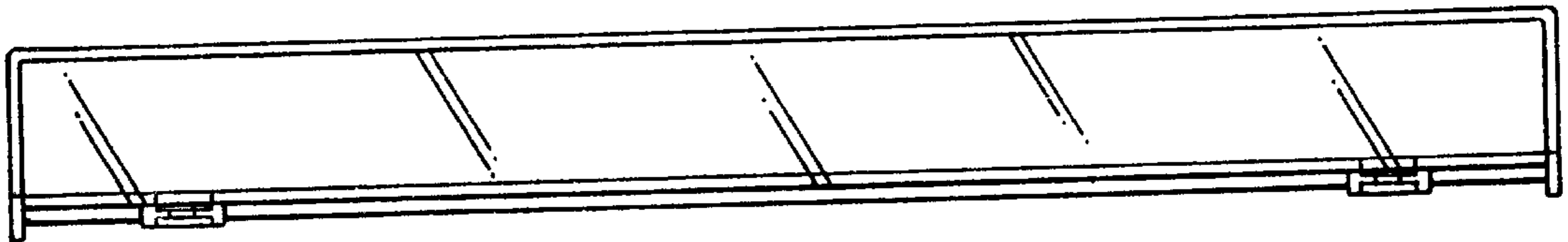


FIG. 4

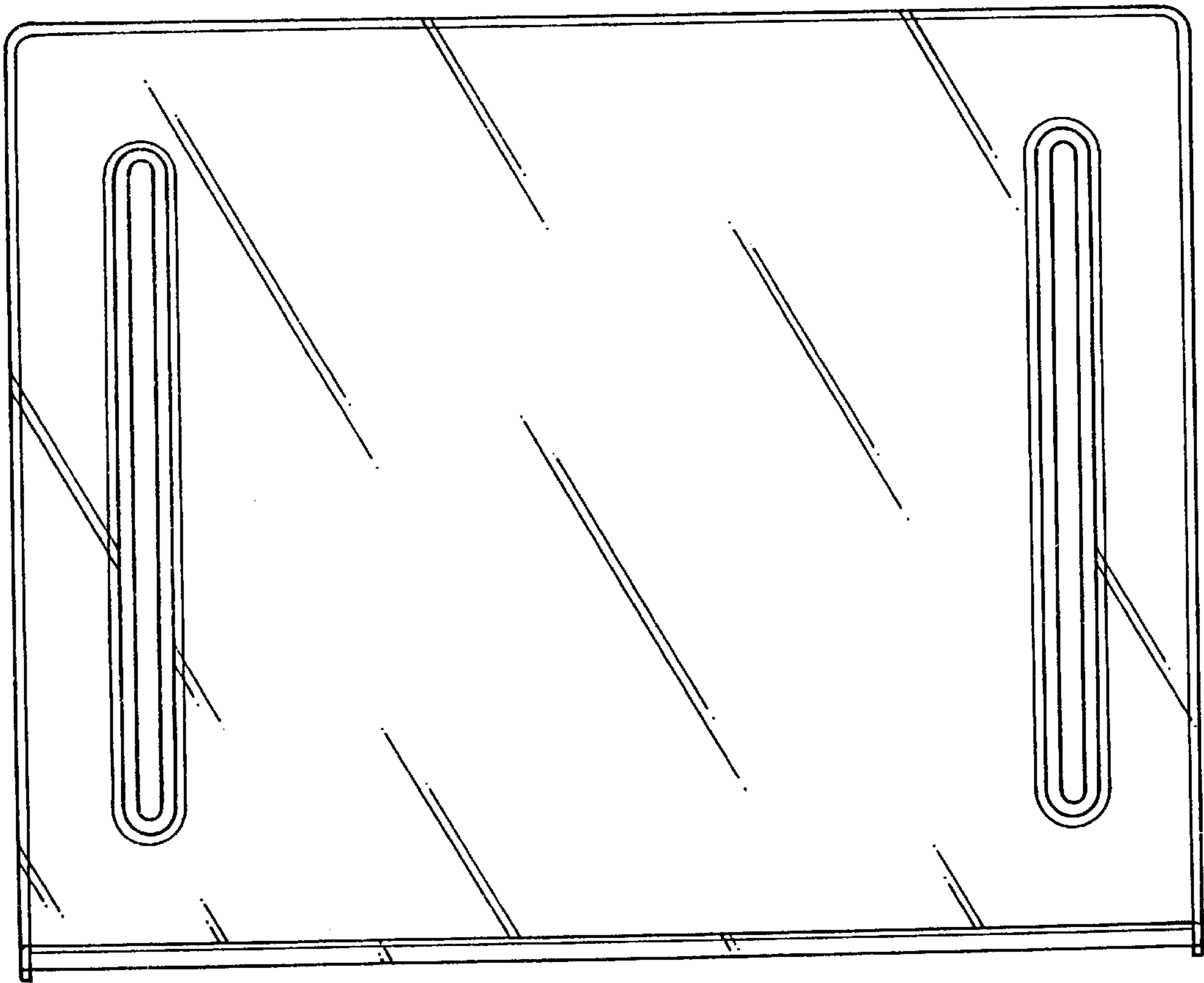


FIG. 5

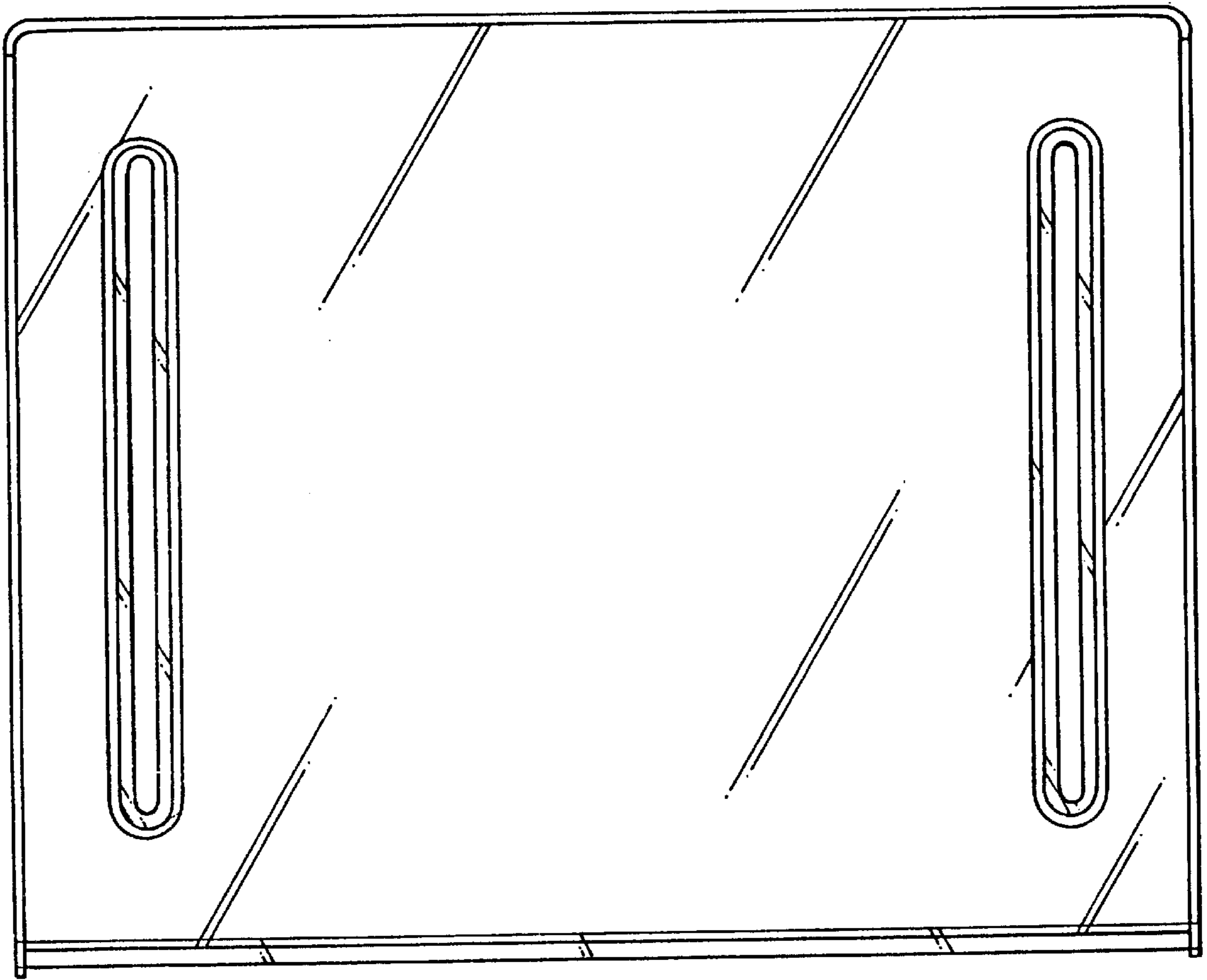


FIG. 6

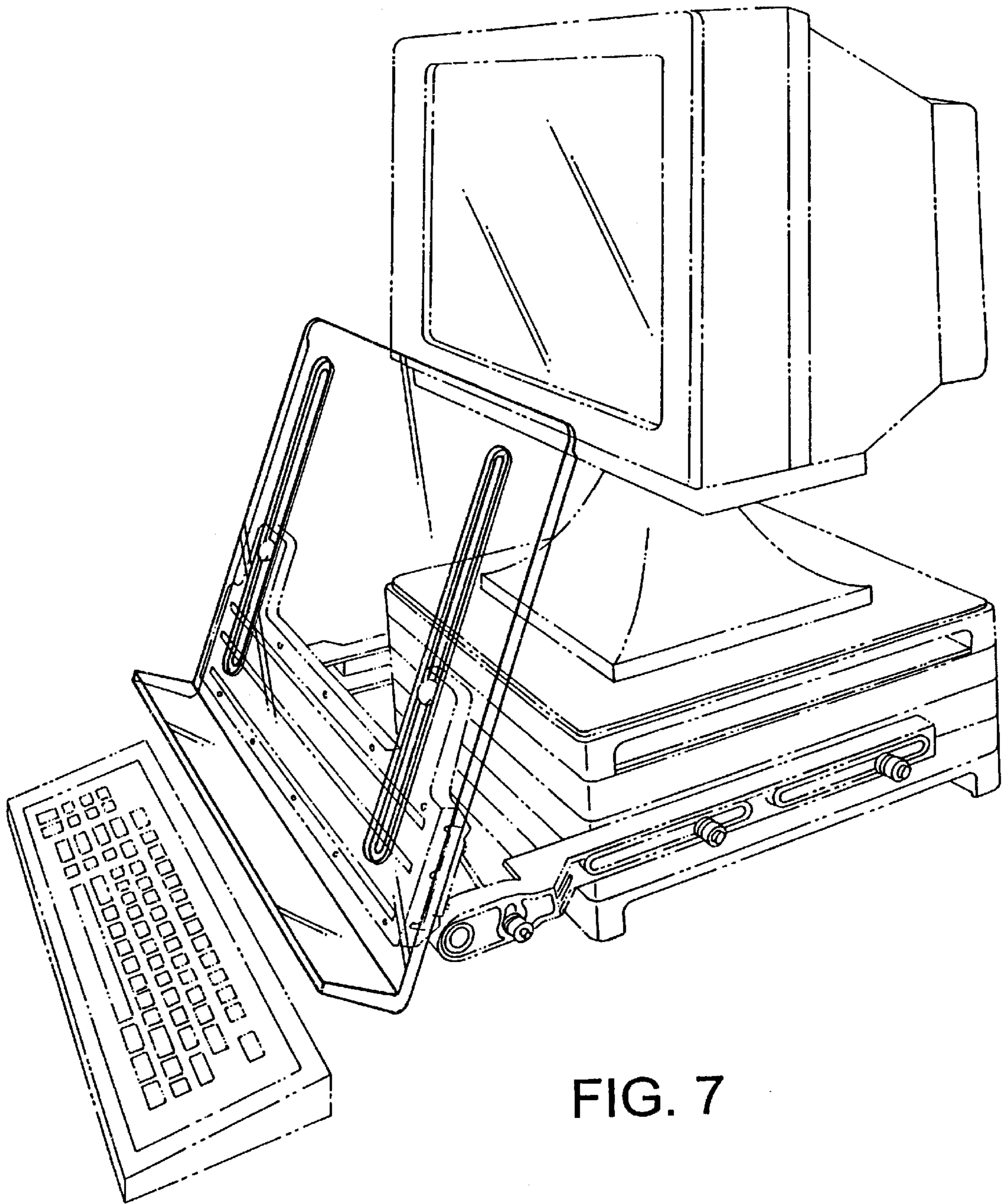


FIG. 7