



US00D437589S

(12) **United States Design Patent**  
**Zeitman**

(10) **Patent No.:** **US D437,589 S**

(45) **Date of Patent:** **\*\* Feb. 13, 2001**

(54) **TELEPHONE**

(75) Inventor: **Josh Zeitman**, Brooklyn, NY (US)

(73) Assignee: **Lenox Electronics Corp.**, Brooklyn, NY (US)

(\*\*) Term: **14 Years**

(21) Appl. No.: **29/114,116**

(22) Filed: **Nov. 19, 1999**

(51) **LOC (7) Cl.** ..... **14-03**

(52) **U.S. Cl.** ..... **D14/148**

(58) **Field of Search** ..... D14/137, 138,  
D14/148, 147, 149-151, 140-142, 240,  
241; 379/433-436, 419, 420, 428, 440

(56) **References Cited**

**U.S. PATENT DOCUMENTS**

D. 285,436	*	9/1986	Klucznik et al.	.....	D14/148
D. 285,437	*	9/1986	Buckler	.....	D14/148
D. 291,305	*	8/1987	Harrison et al.	.....	D14/148
D. 299,026	*	12/1988	Iino	.....	D14/148
D. 301,874	*	6/1989	Roegner	.....	D14/148
D. 303,383	*	9/1989	Reichenstein	.....	D14/138
D. 311,917	*	11/1990	Arri	.....	D14/151
D. 313,800	*	1/1991	Appleby	.....	D14/151
D. 324,383	*	3/1992	Konno	.....	D14/138
D. 324,682	*	3/1992	Renard et al.	.....	D14/151
D. 391,254	*	2/1998	Rosati et al.	.....	D14/148

D. 392,637	*	3/1998	Rosati et al.	.....	D14/148
D. 403,678	*	1/1999	Hawley et al.	.....	D14/149
D. 419,553	*	1/2000	Solomita et al.	.....	D14/148
D. 426,820	*	6/2000	Zeitman	.....	D14/148
4,679,234	*	7/1987	Earwood Sr.	.....	379/433

**OTHER PUBLICATIONS**

Cowair Phone, prior to Nov. 1993.\*  
Spiegel Catalog, date Jun. 1992, p. 520, Item A Cobra  
Cordless Phone.\*

\* cited by examiner

*Primary Examiner*—Jeffrey Asch

(74) *Attorney, Agent, or Firm*—Burns, Doane, Swecker &  
Mathis, L.L.P.

(57) **CLAIM**

The ornamental design for a “telephone”, as shown and  
described.

**DESCRIPTION**

FIG. 1 is a front view of a “telephone” showing my design;  
FIG. 2 is a rear view thereof;  
FIG. 3 is a left side view thereof;  
FIG. 4 is a right side view thereof;  
FIG. 5 is a top plan view thereof;  
FIG. 6 is a bottom view thereof;  
FIG. 7 is a perspective view thereof; and,  
FIG. 8 is a perspective view in a separated configuration.

**1 Claim, 5 Drawing Sheets**

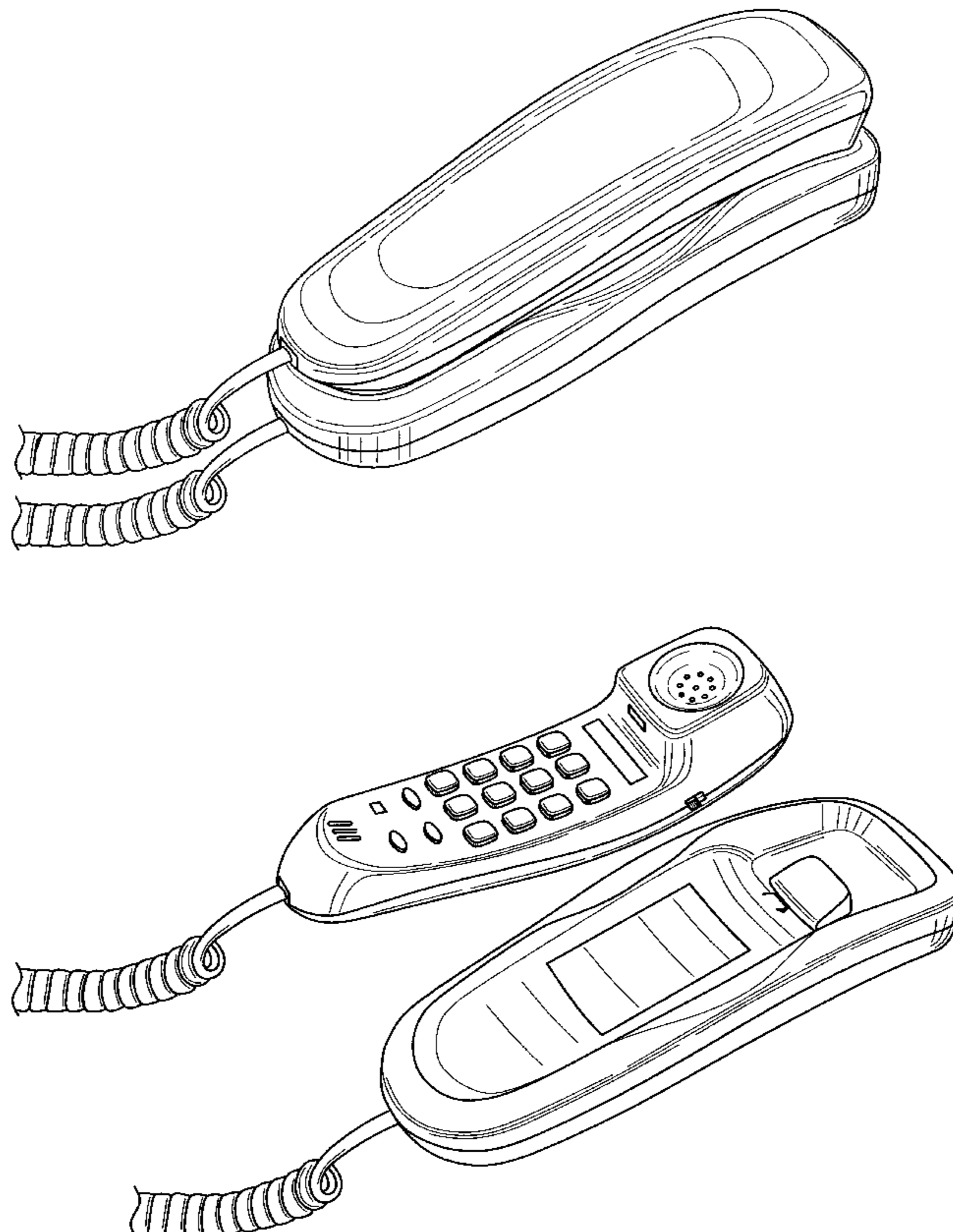


FIG. 1

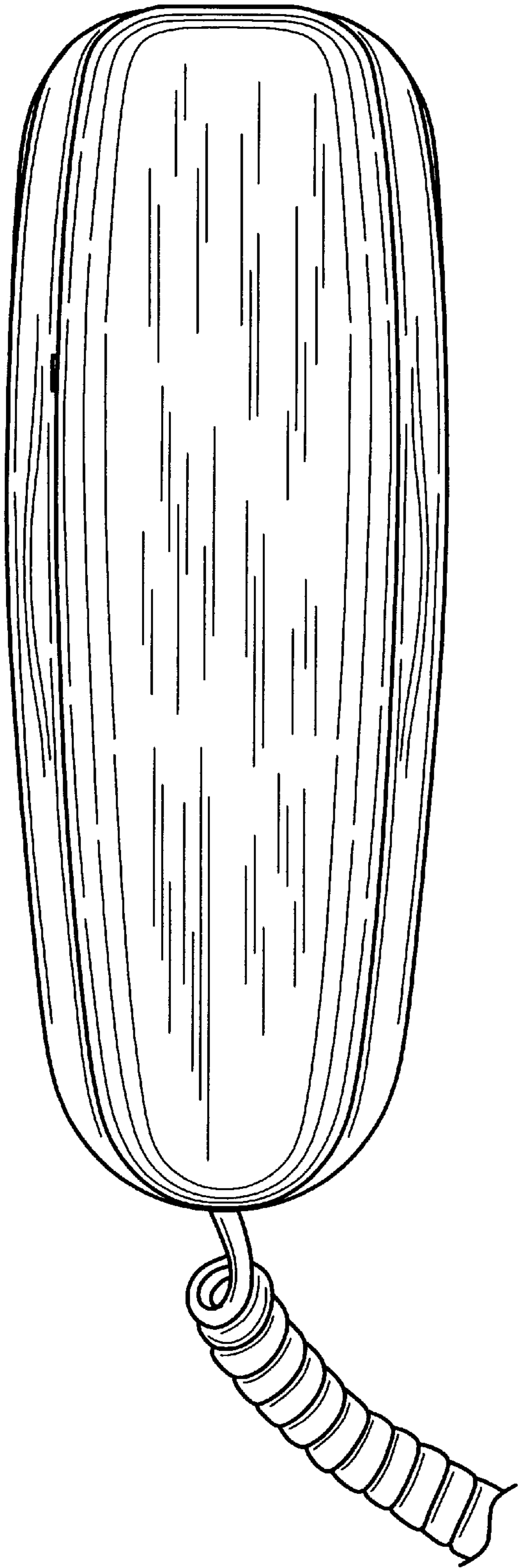
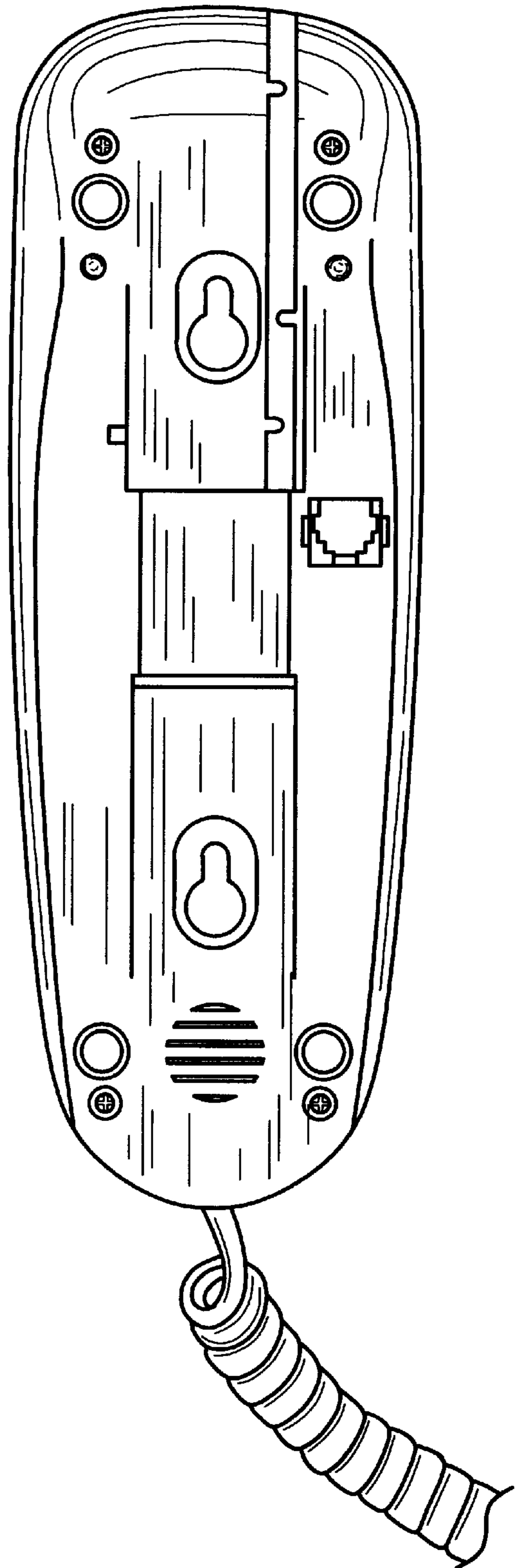


FIG. 2



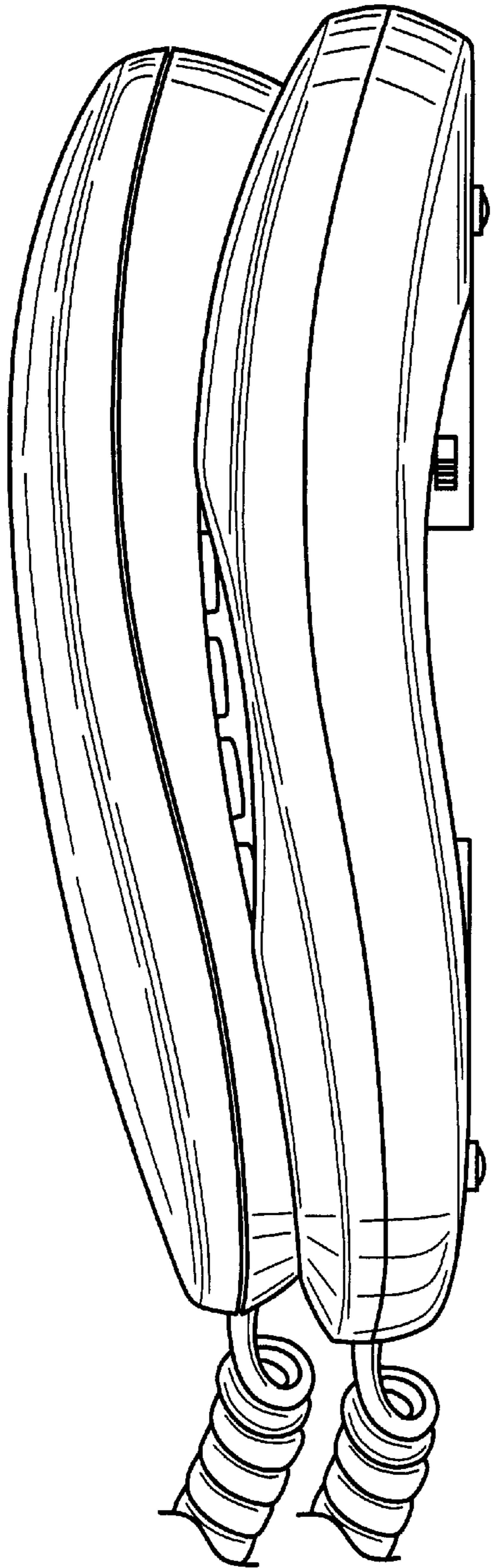


FIG. 4



FIG. 3

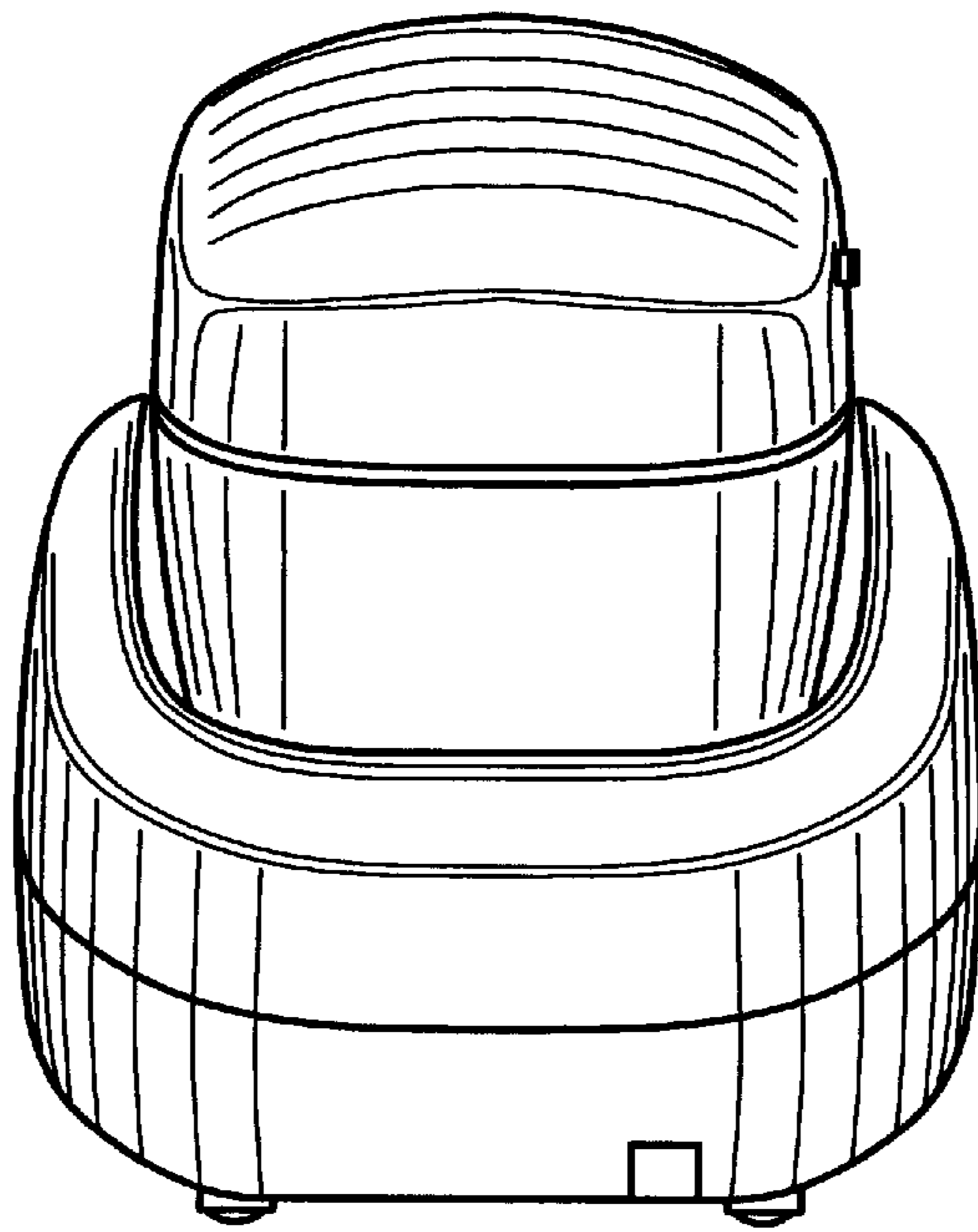


FIG. 5

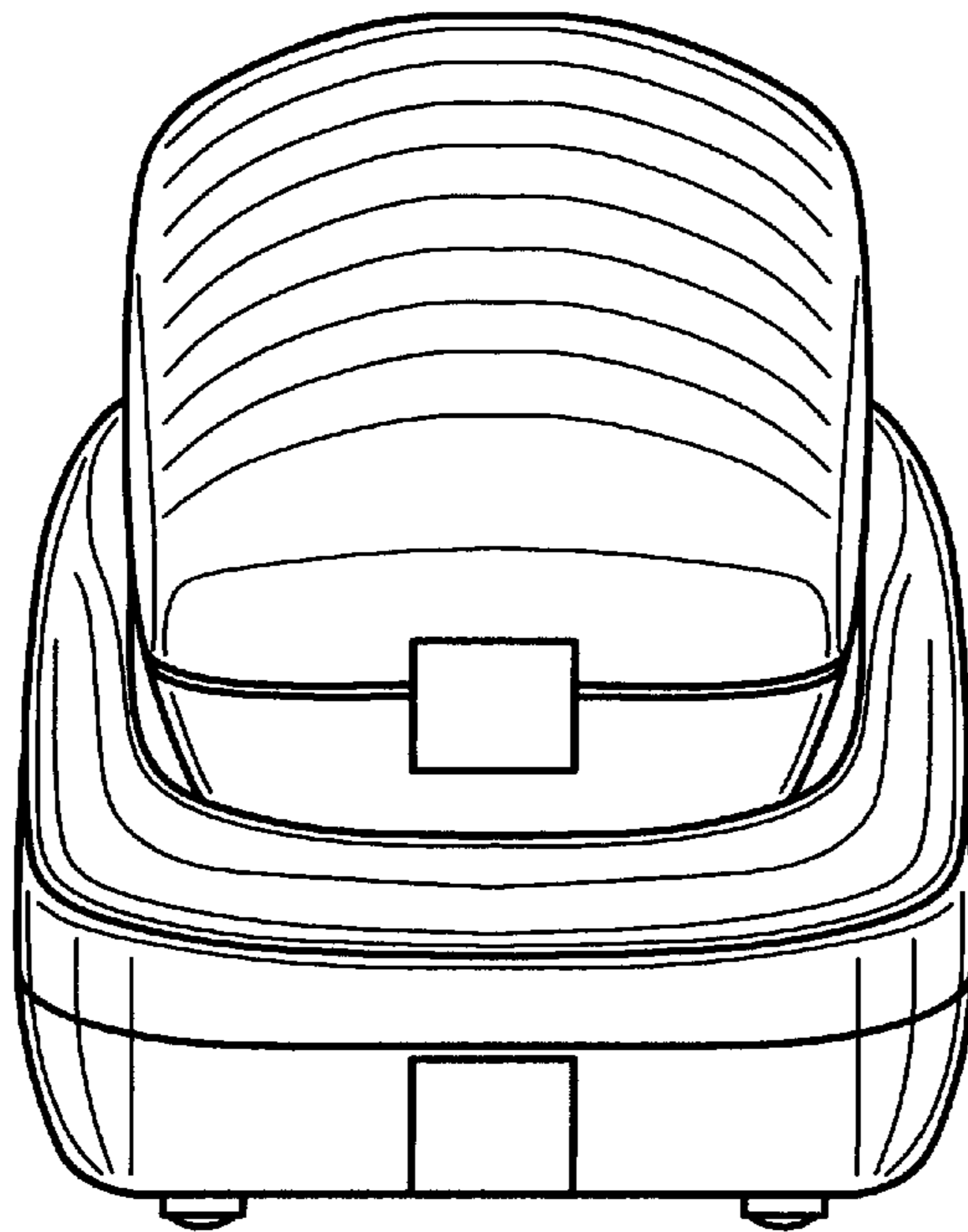


FIG. 6

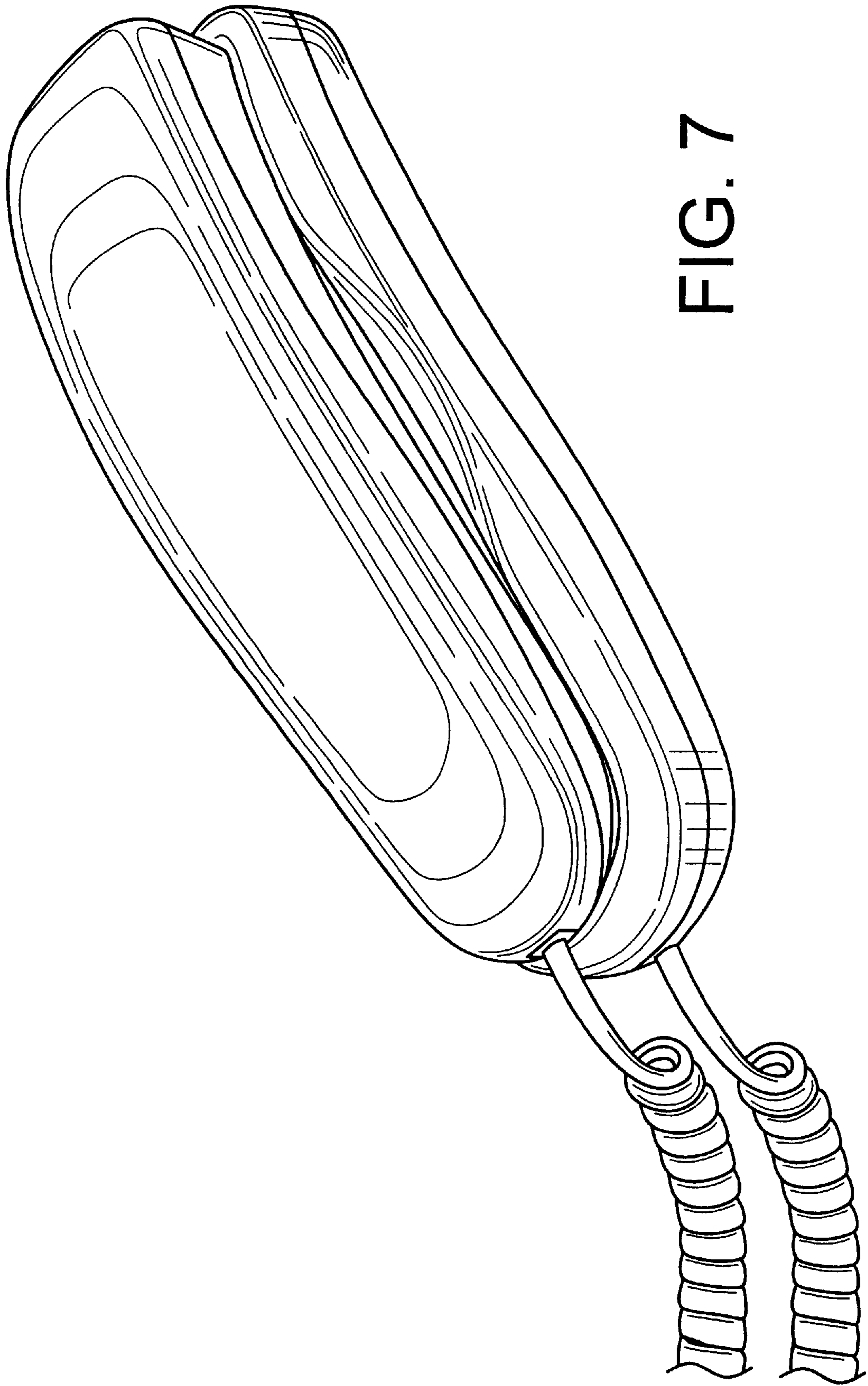


FIG. 7

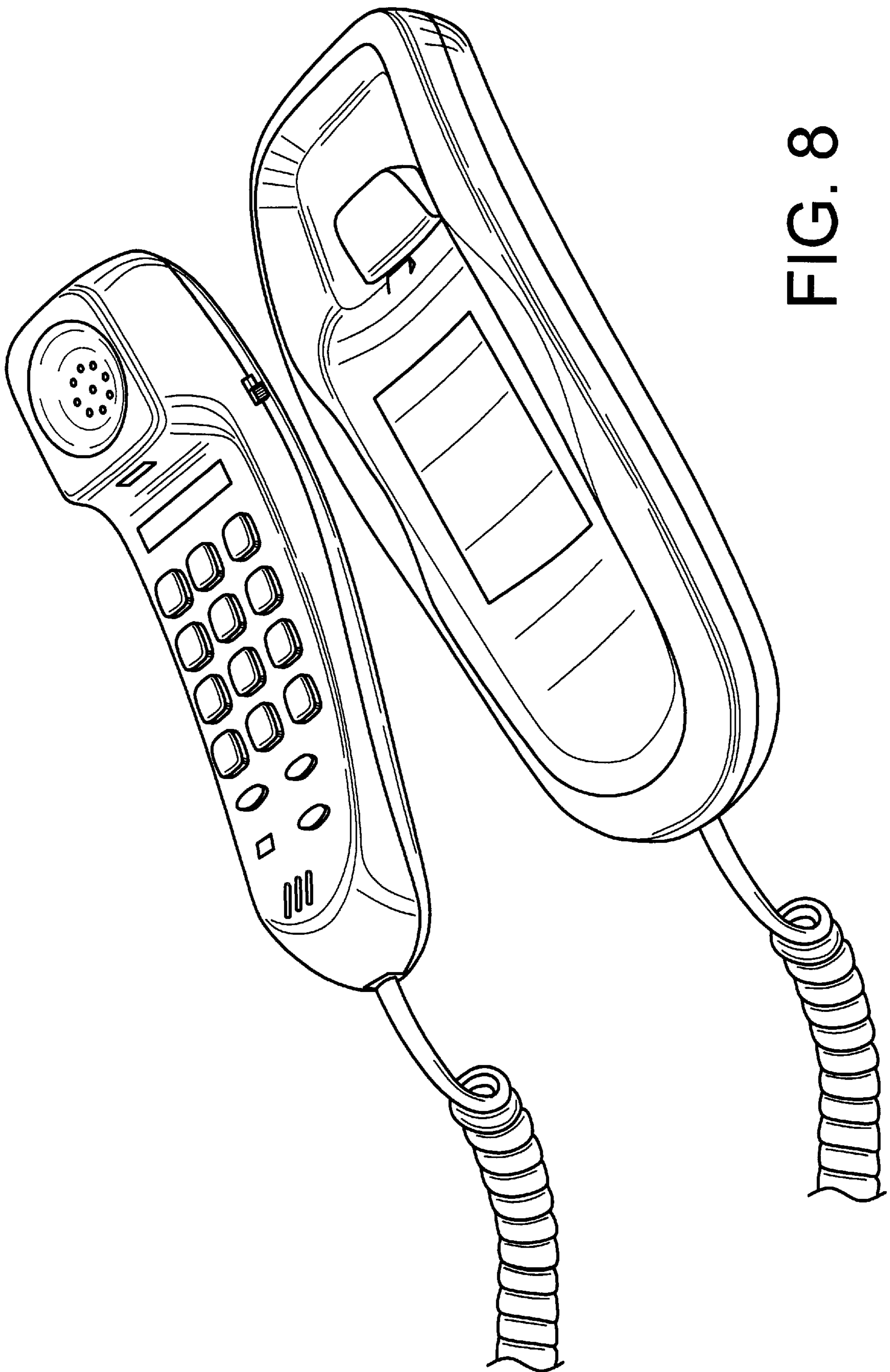


FIG. 8