



US00D437586S

(12) **United States Design Patent**  
**Sonntag**

(10) **Patent No.:** **US D437,586 S**

(45) **Date of Patent:** **\*\* Feb. 13, 2001**

(54) **ENCLOSURE FOR ELECTRONIC AND ELECTRIC COMPONENTS**

(75) Inventor: **John-Erik Sonntag**, Tammissaari (FI)

(73) Assignee: **Fibox, Oy AB**, Jorvas (FI)

(\*\*) Term: **14 Years**

(21) Appl. No.: **29/119,478**

(22) Filed: **Mar. 1, 2000**

**Related U.S. Application Data**

(62) Division of application No. 29/074,361, filed on Aug. 1, 1997, now Pat. No. Des. 428,603.

(30) **Foreign Application Priority Data**

Feb. 5, 1997 (FI) ..... 98/97  
Feb. 5, 1997 (FI) ..... 99/97

(51) **LOC (7) Cl.** ..... **13-03**

(52) **U.S. Cl.** ..... **D13/184**

(58) **Field of Search** ..... D13/184, 152,  
D13/177; 174/50, 35 R, 52.1; 220/3.8,  
4.02; 361/600

(56) **References Cited**

**U.S. PATENT DOCUMENTS**

D. 284,959 \* 8/1986 Berg ..... D13/184

D. 360,877 \* 8/1995 Ropponen et al. .... D13/184  
D. 402,275 \* 12/1998 Korhonen ..... D13/184  
5,238,133 \* 8/1993 Cox ..... 220/3.8

**FOREIGN PATENT DOCUMENTS**

978527 \* 12/1964 (GB) ..... D13/184

\* cited by examiner

*Primary Examiner*—Adir Aronovich

(74) *Attorney, Agent, or Firm*—Finnegan, Henderson, Farabow, Garrett & Dunner, L.L.P.

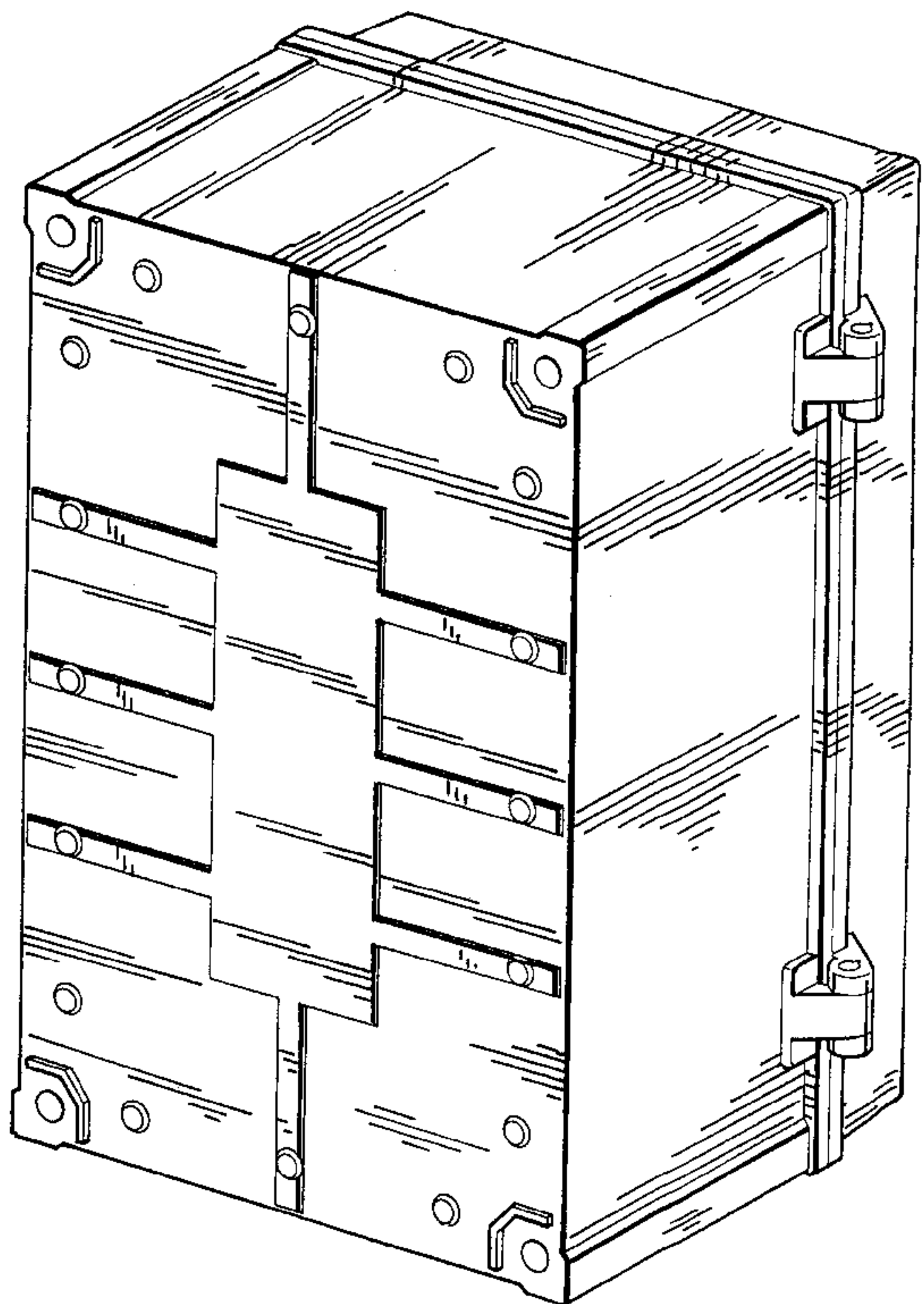
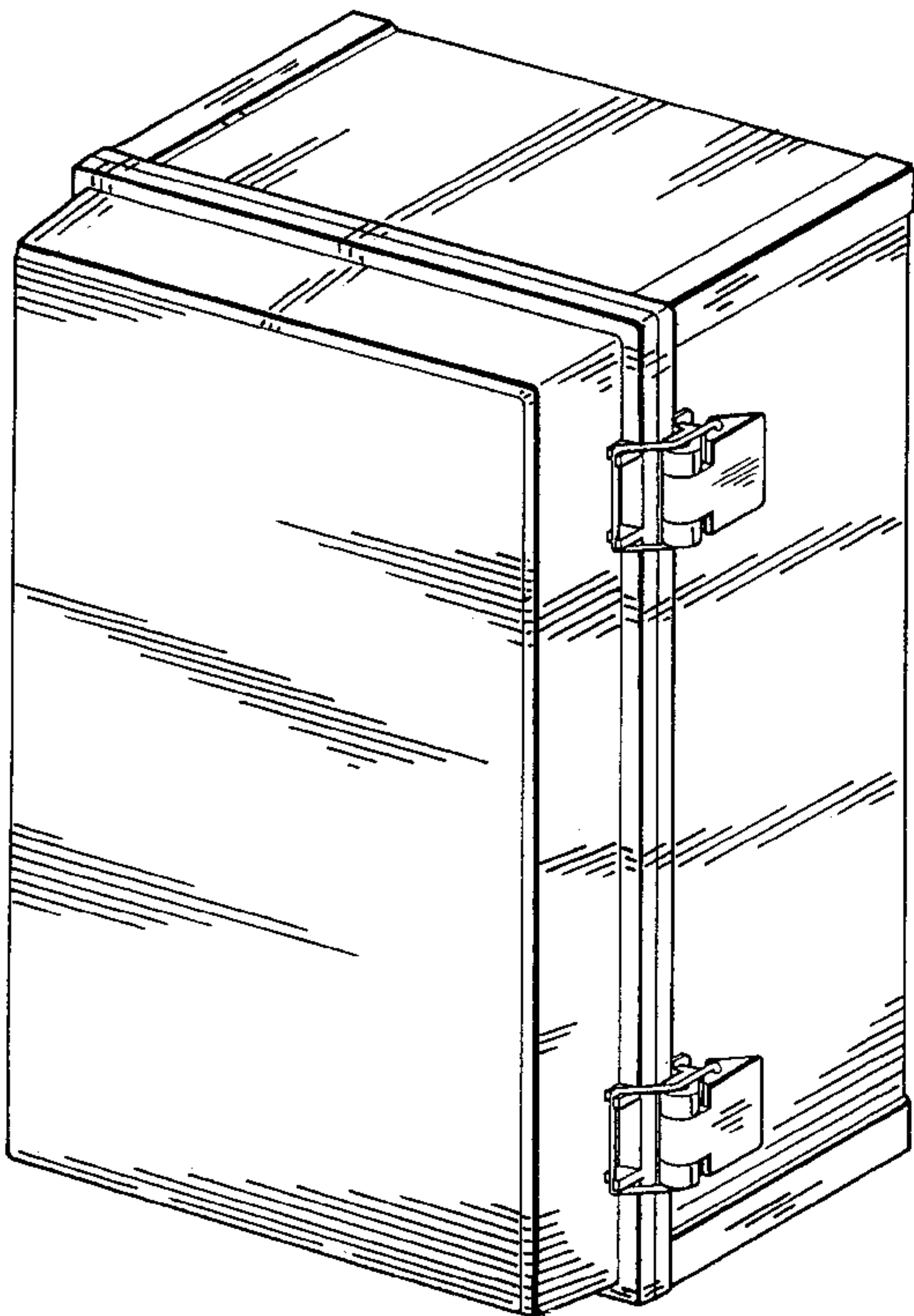
(57) **CLAIM**

The ornamental design for an enclosure for electronic and electric components, as shown and described.

**DESCRIPTION**

FIG. 1 is a perspective front view of an enclosure for electronic and electric components showing my new design; FIG. 2 is a perspective rear view thereof; FIG. 3 is a front view thereof; FIG. 4 is a rear view thereof; FIG. 5 is a right side view thereof; FIG. 6 is a left side view thereof; FIG. 7 is a top view thereof; and, FIG. 8 is a bottom view thereof.

**1 Claim, 4 Drawing Sheets**



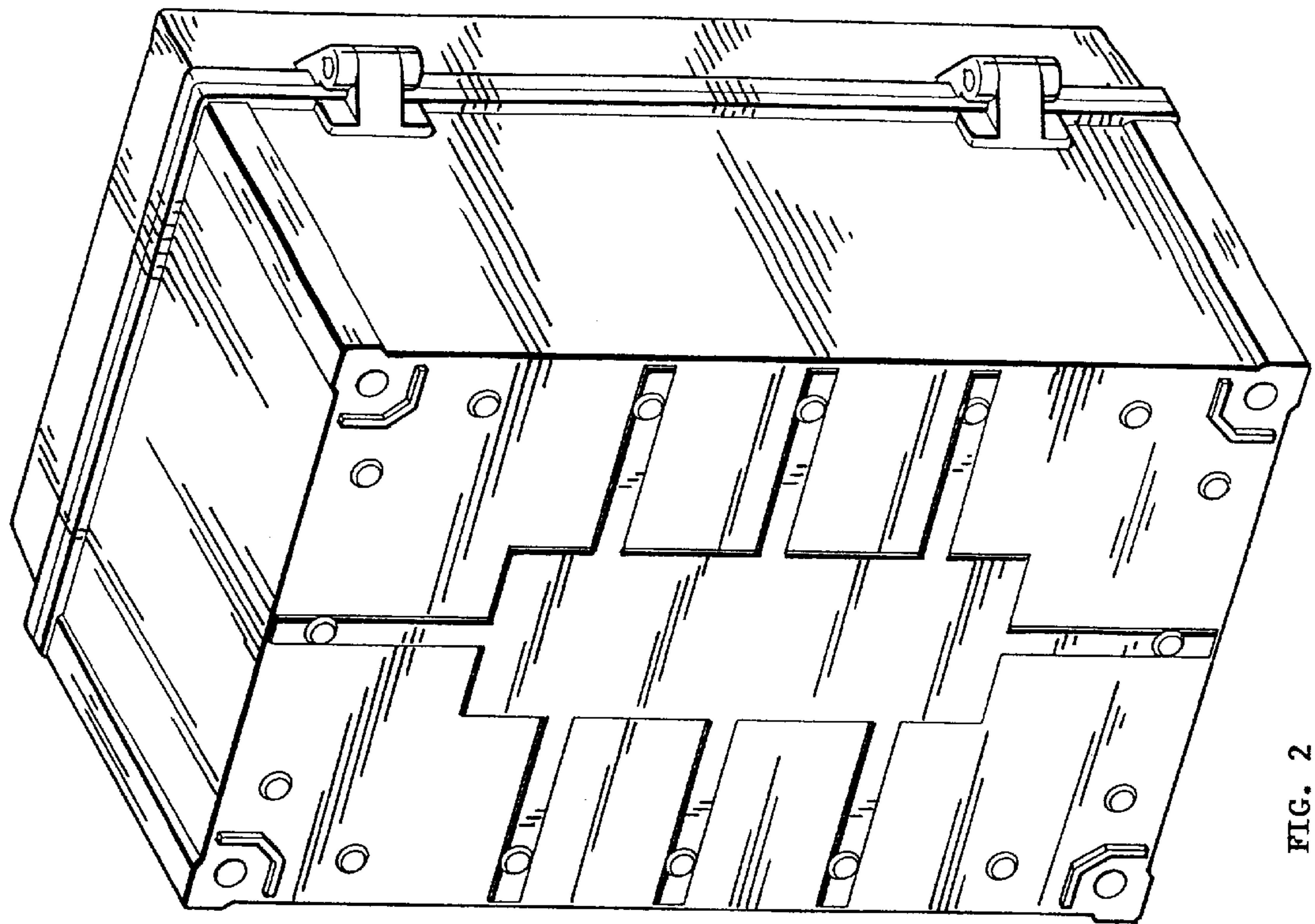


FIG. 2

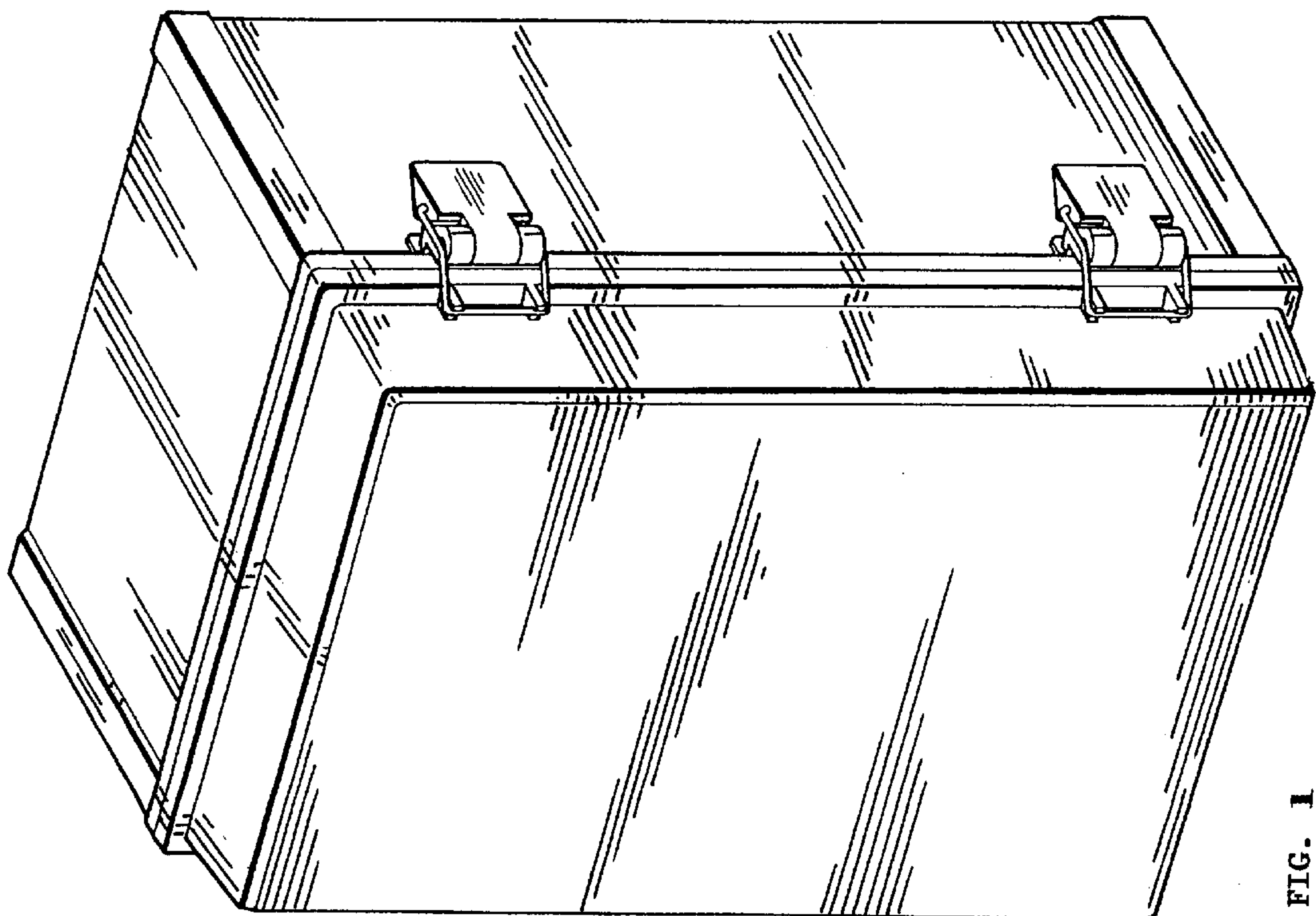


FIG. 1

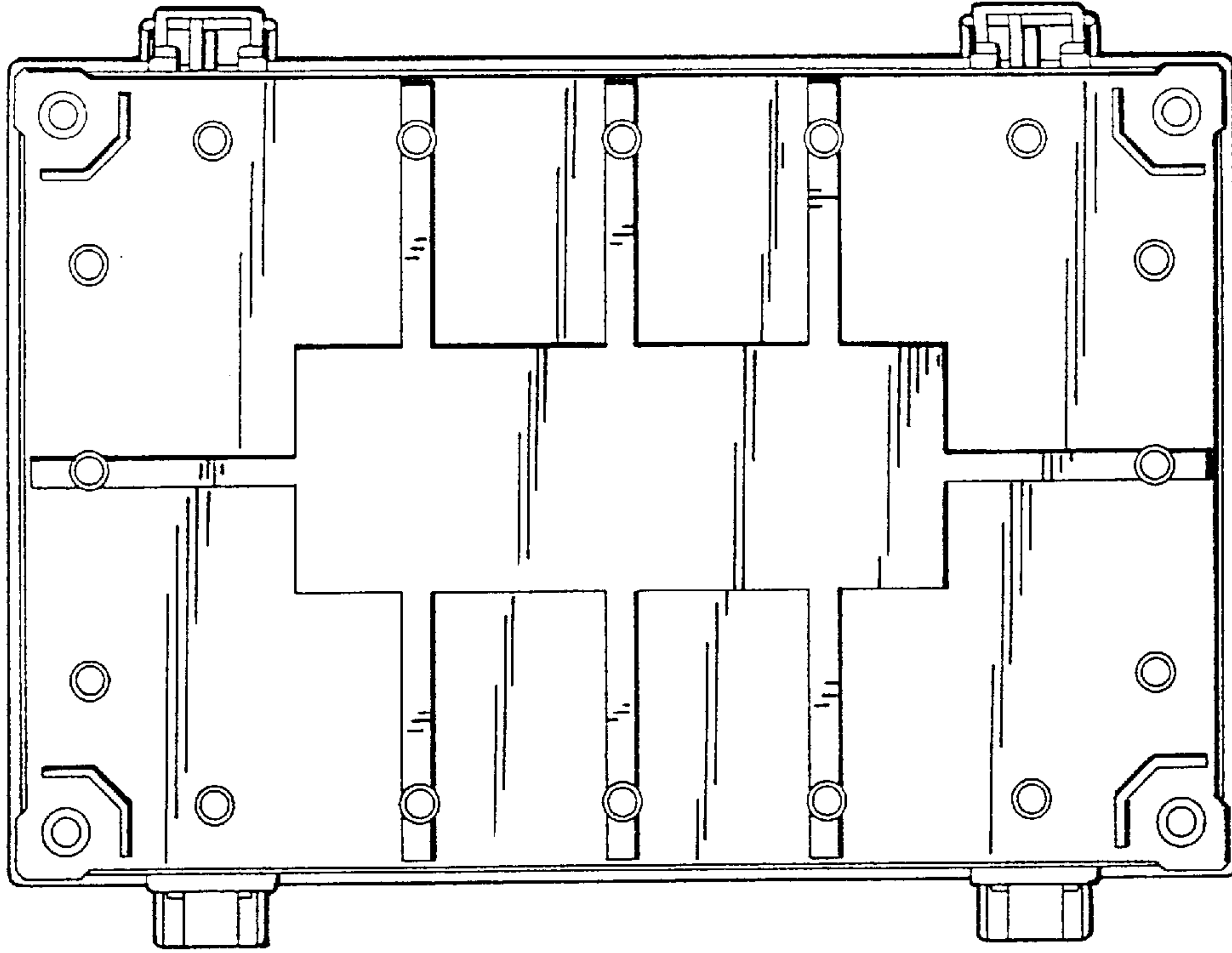


FIG. 4

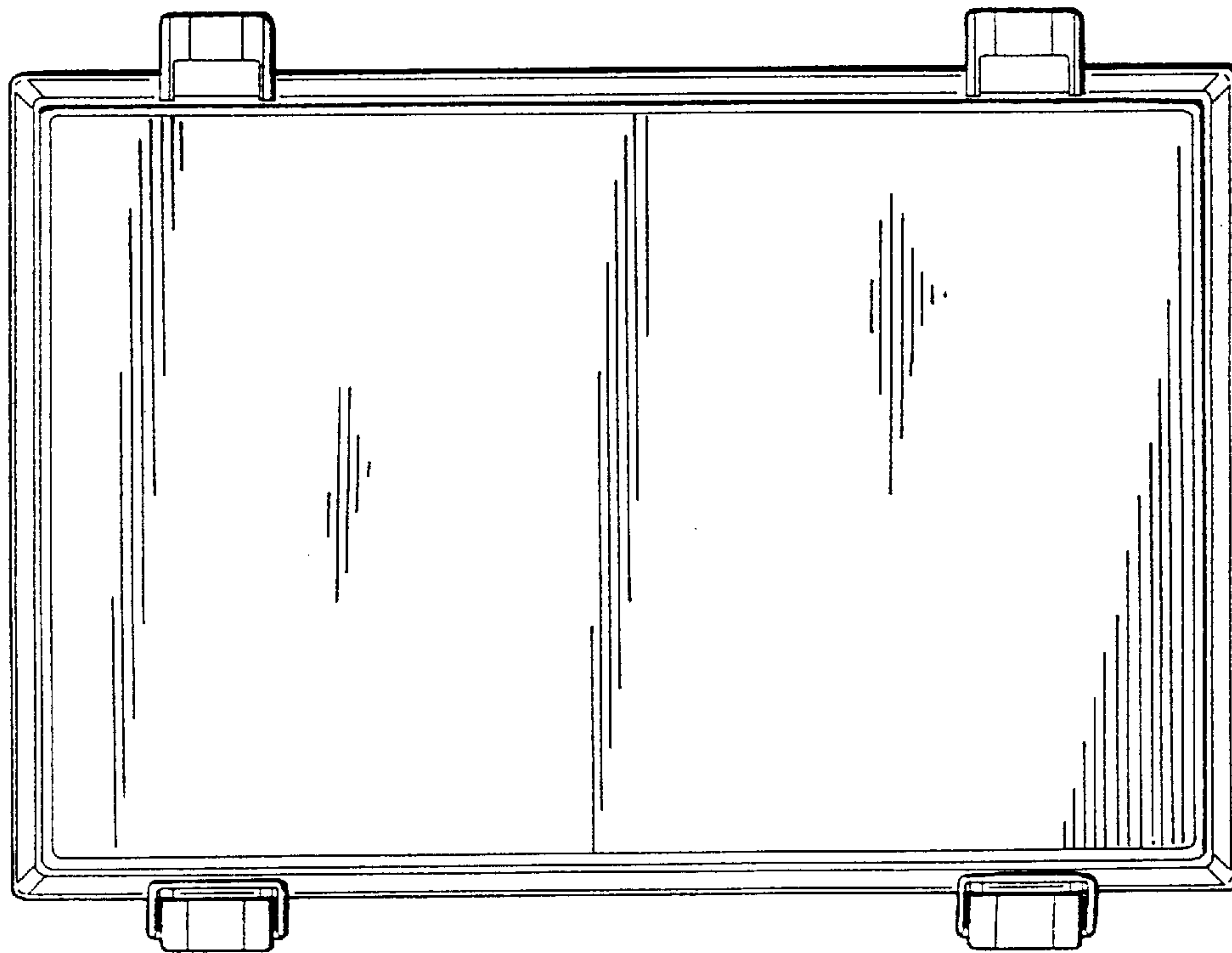


FIG. 3



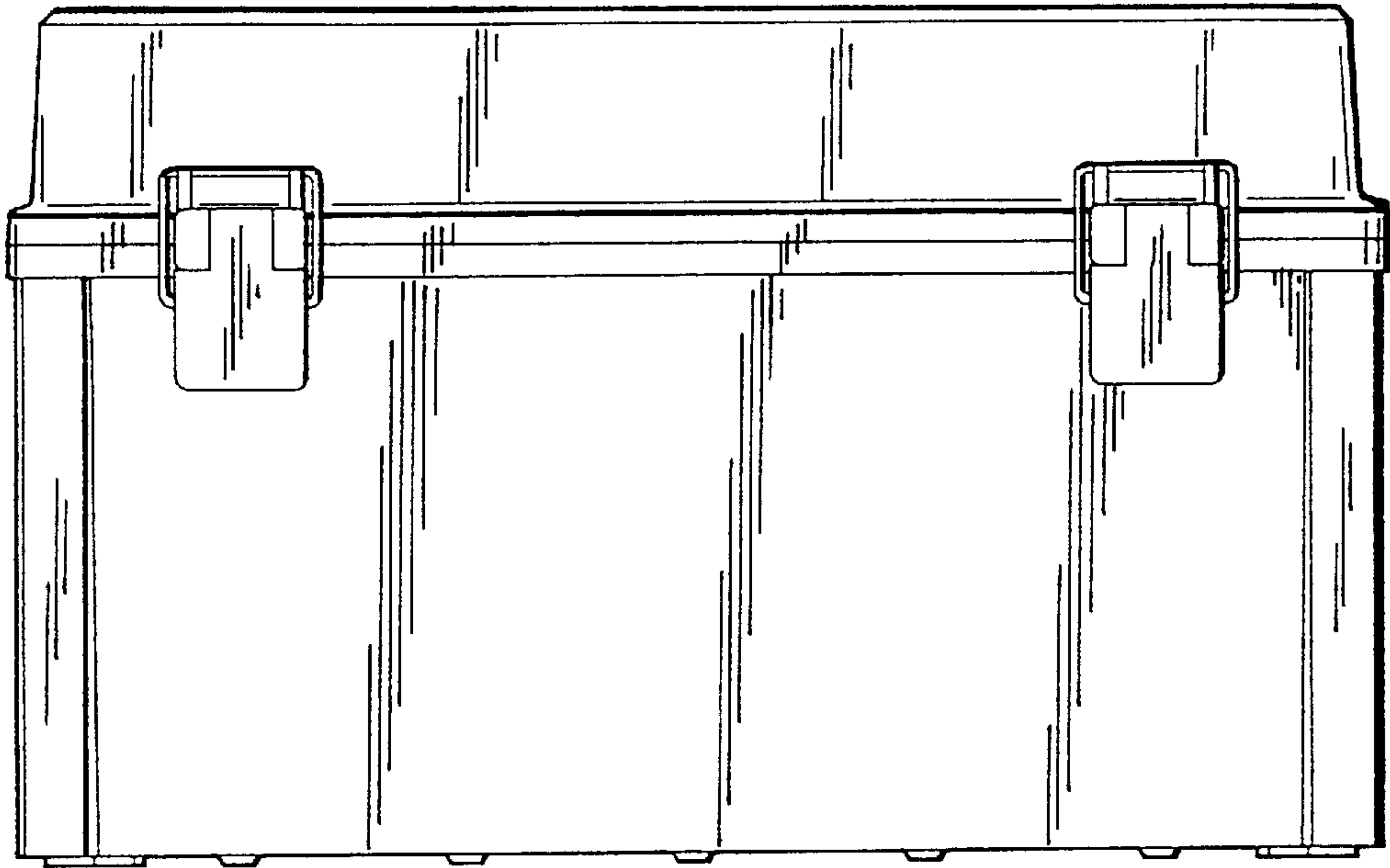


FIG. 6

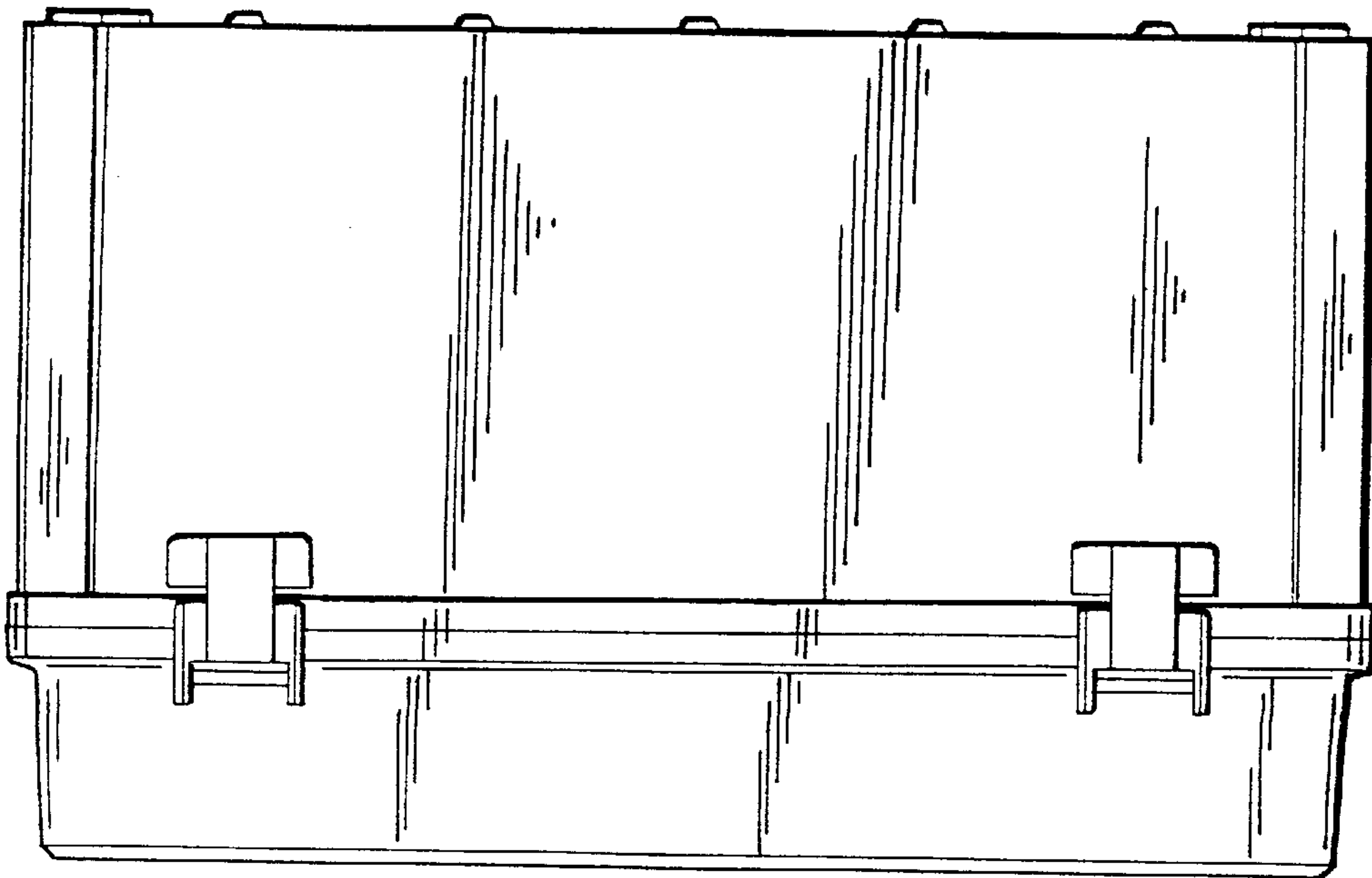


FIG. 5

FIG. 7

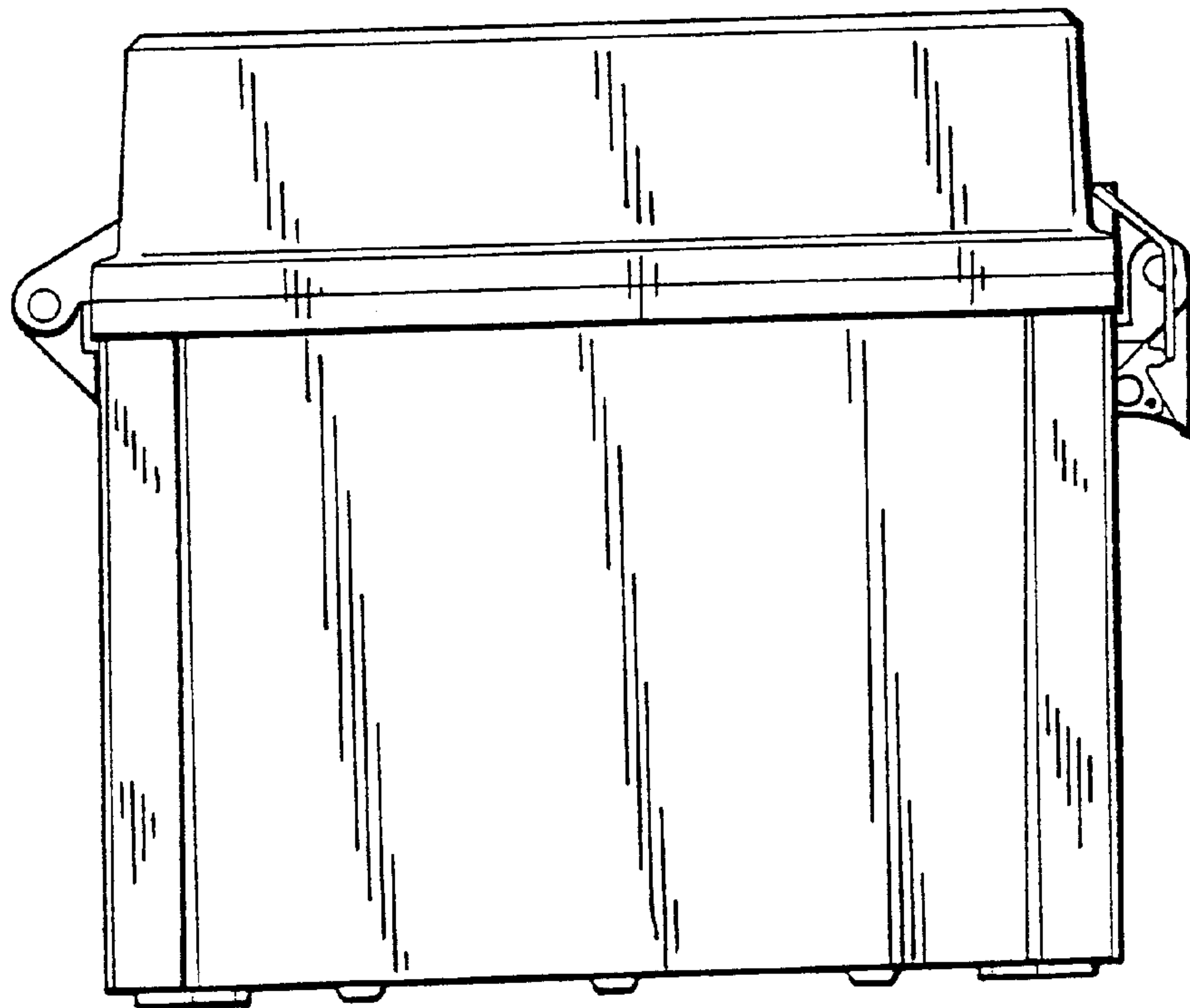
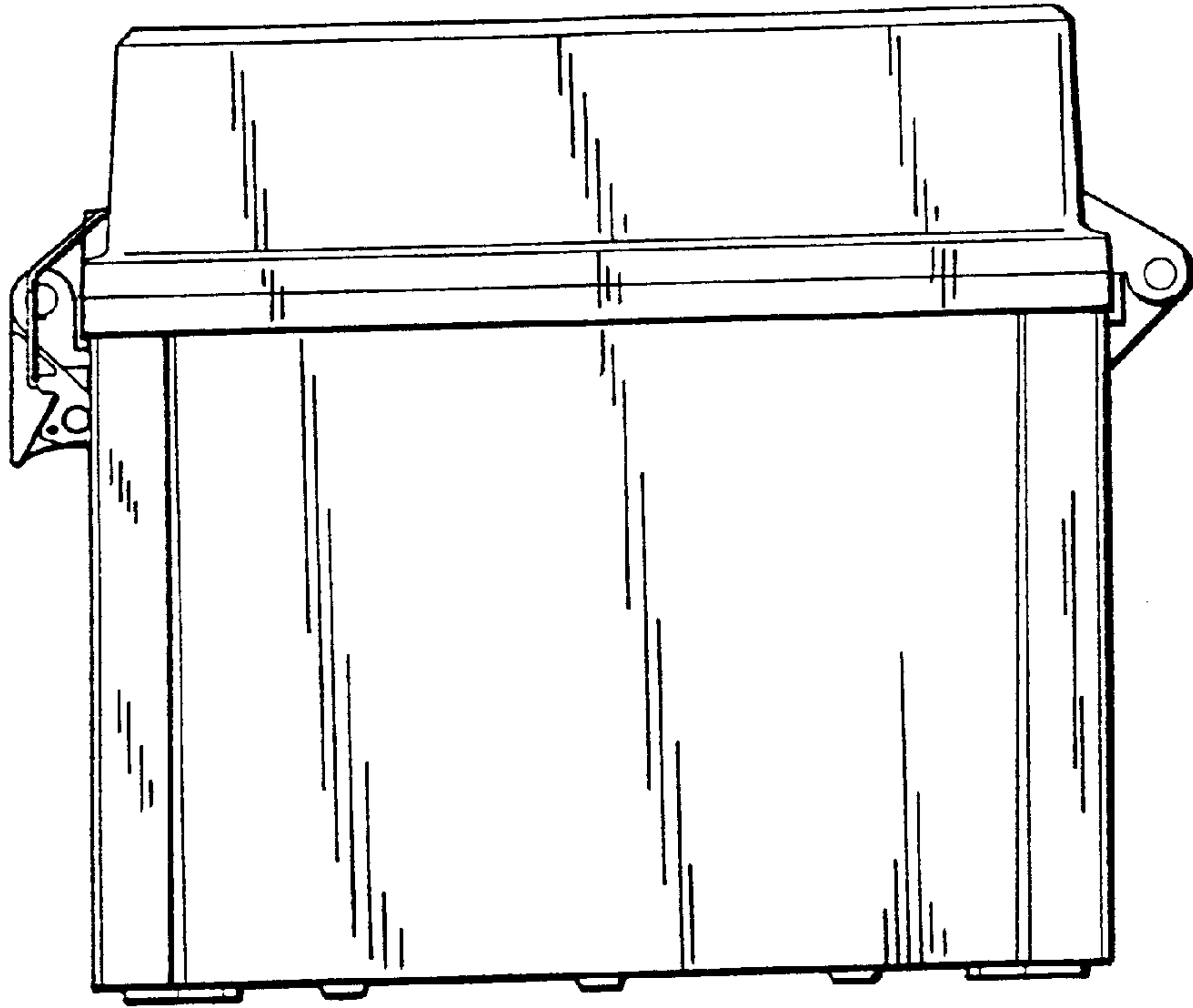


FIG. 8