



US00D437584S

(12) **United States Design Patent**
Radosavljevic et al.

(10) **Patent No.:** **US D437,584 S**

(45) **Date of Patent:** **** Feb. 13, 2001**

(54) **SLIDE DIMMER**

(75) Inventors: **Dejan Radosavljevic**, LaFayette;
Ronald D. Conroy, Liverpool, both of
NY (US)

(73) Assignee: **Pass & Seymour, Inc.**, Syracuse, NY
(US)

(**) Term: **14 Years**

(21) Appl. No.: **29/126,375**

(22) Filed: **Jul. 14, 2000**

Related U.S. Application Data

(62) Division of application No. 29/106,664, filed on Jun. 18,
1999.

(51) **LOC (7) Cl.** **13-03**

(52) **U.S. Cl.** **D13/170**

(58) **Field of Search** D13/158, 170,
D13/174; 338/62, 152, 163, 184, 200, 226;
361/600, 627

(56) **References Cited**

U.S. PATENT DOCUMENTS

D. 241,853 10/1976 Spria et al. .

D. 329,635 * 9/1992 Tsai D13/170
D. 415,472 * 10/1999 Kelso et al. D13/170
4,833,277 5/1989 Jacoby, Jr. et al. .
4,939,383 * 7/1990 Tucker et al. 338/200 X
4,947,054 * 8/1990 Flowers et al. 338/200 X

* cited by examiner

Primary Examiner—Brian N. Vinson

(74) *Attorney, Agent, or Firm*—Wall Marjama & Bilinski

(57) **CLAIM**

The ornamental design for a slide dimmer, as shown and
described.

DESCRIPTION

FIG. 1 is a top plan view of a slide dimmer showing our new
design;

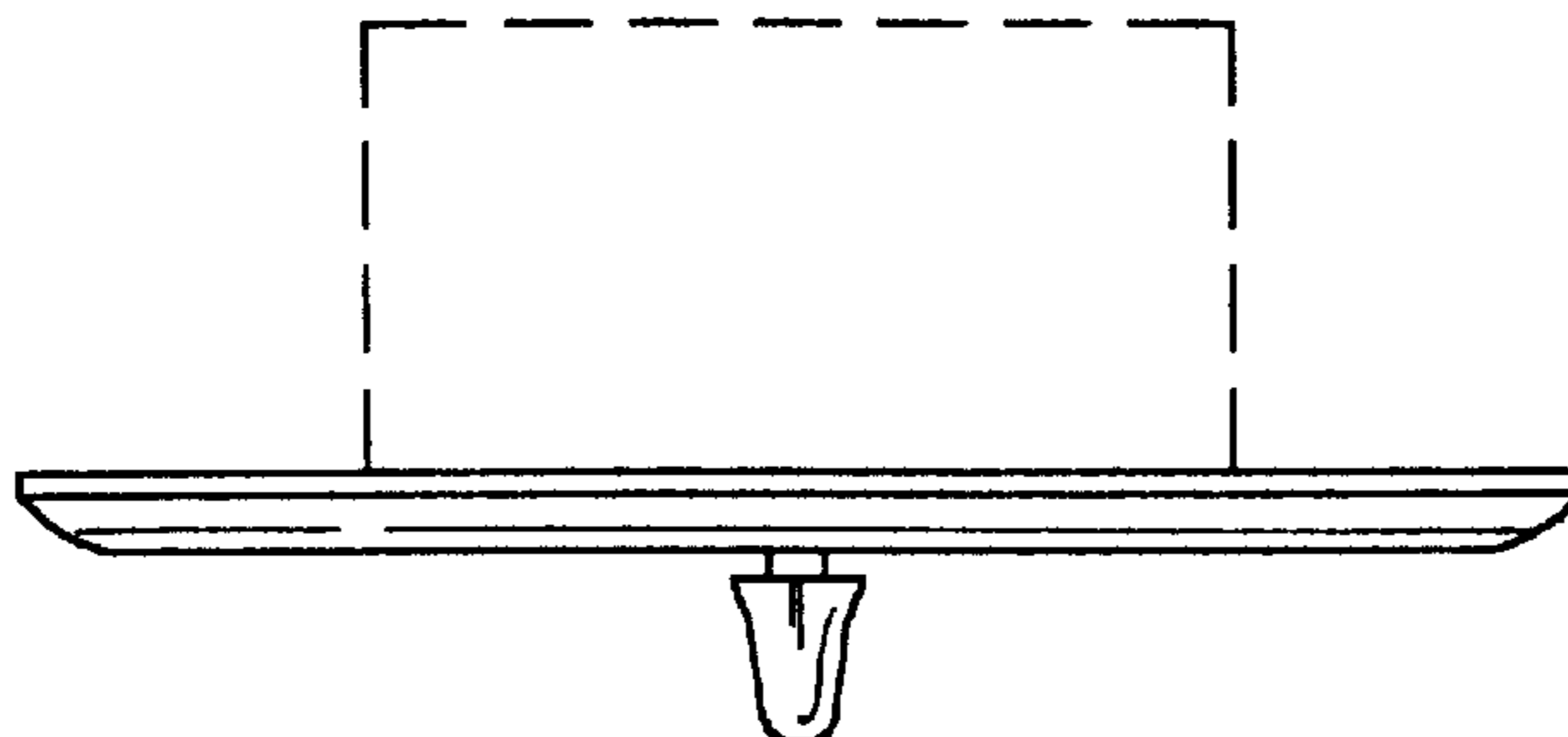
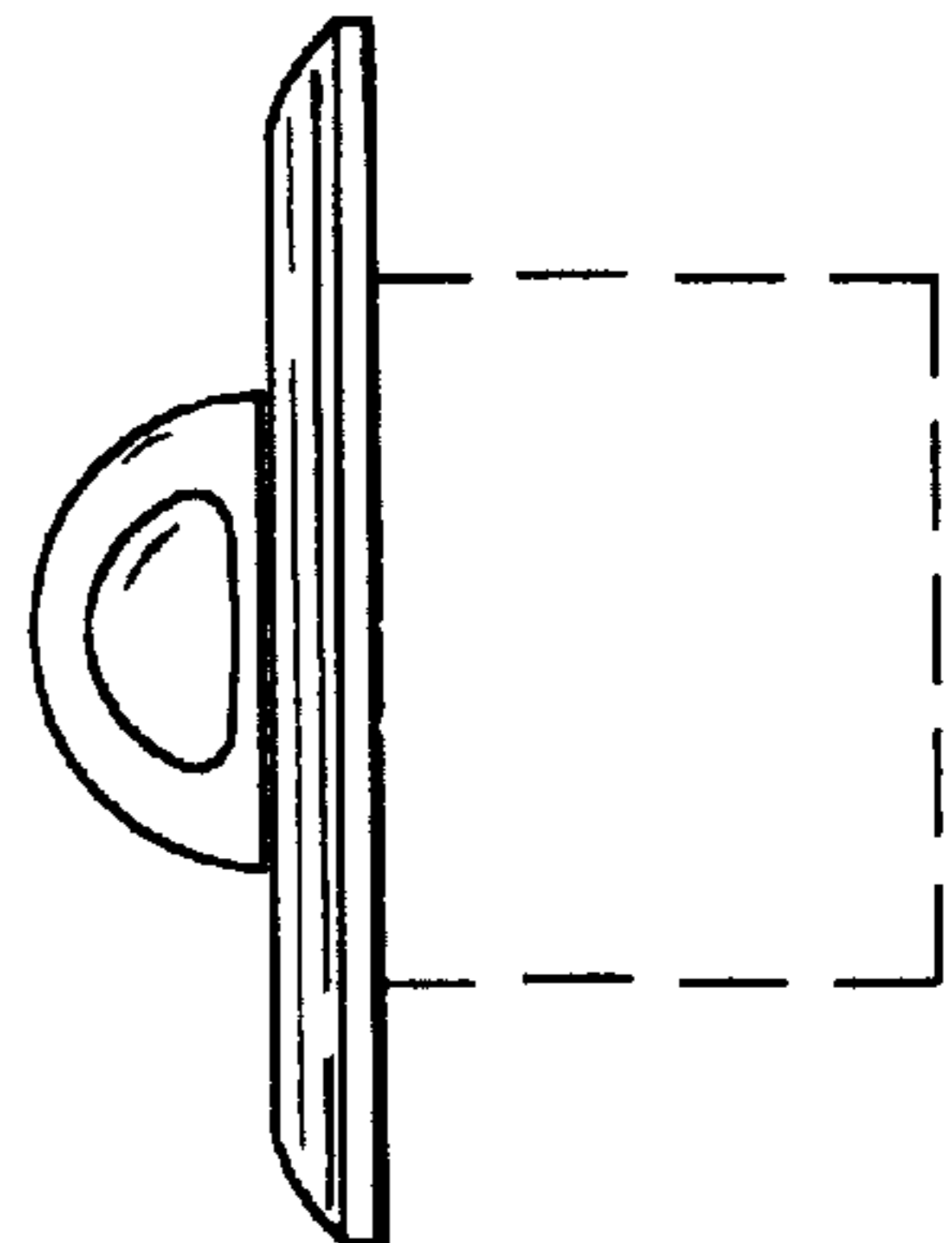
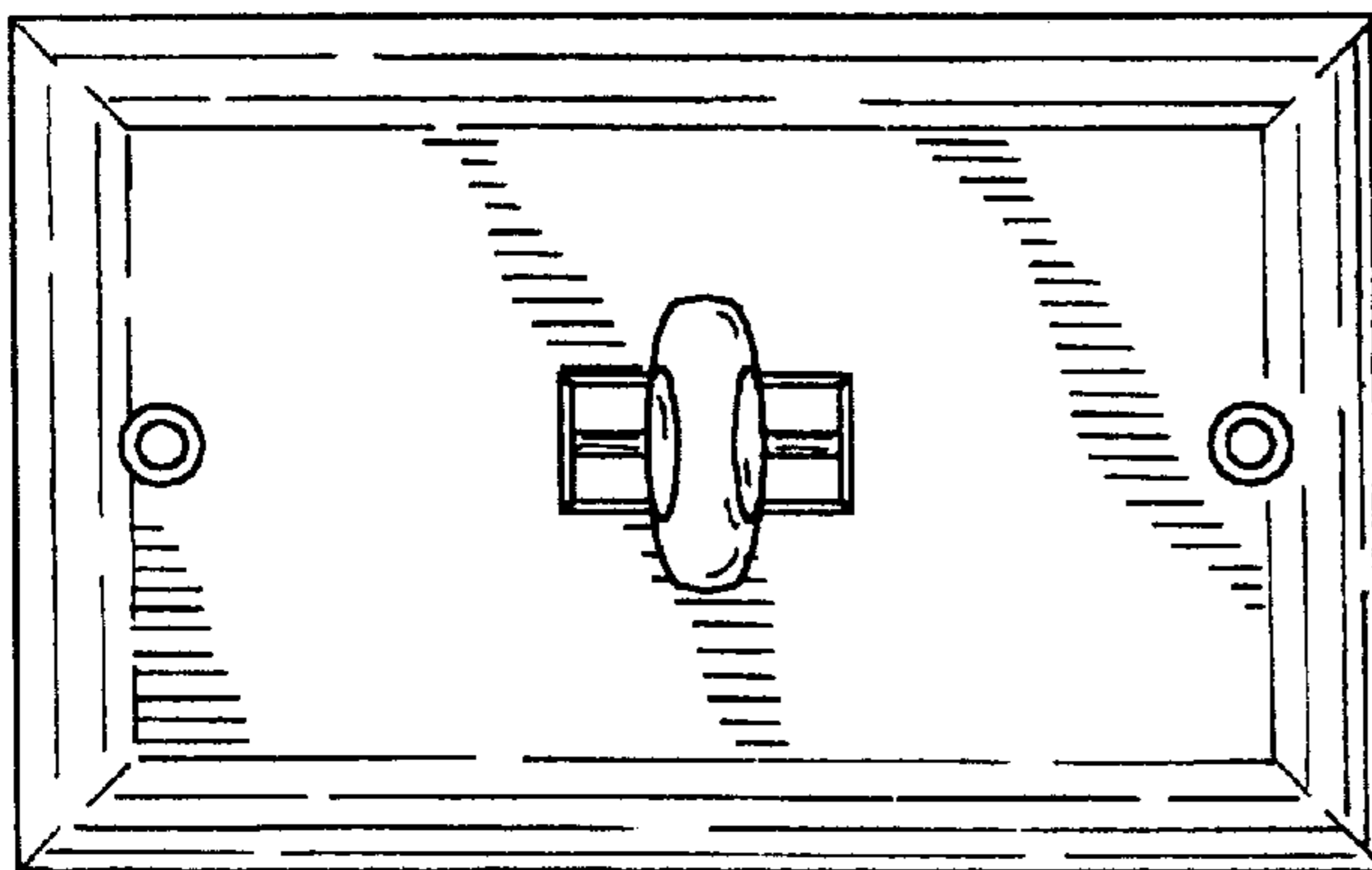
FIG. 2 is a front elevation thereof;

FIG. 3 is a left side elevation thereof;

FIG. 4 is a right side elevation thereof; and,

FIG. 5 is a rear elevation thereof.

1 Claim, 1 Drawing Sheet



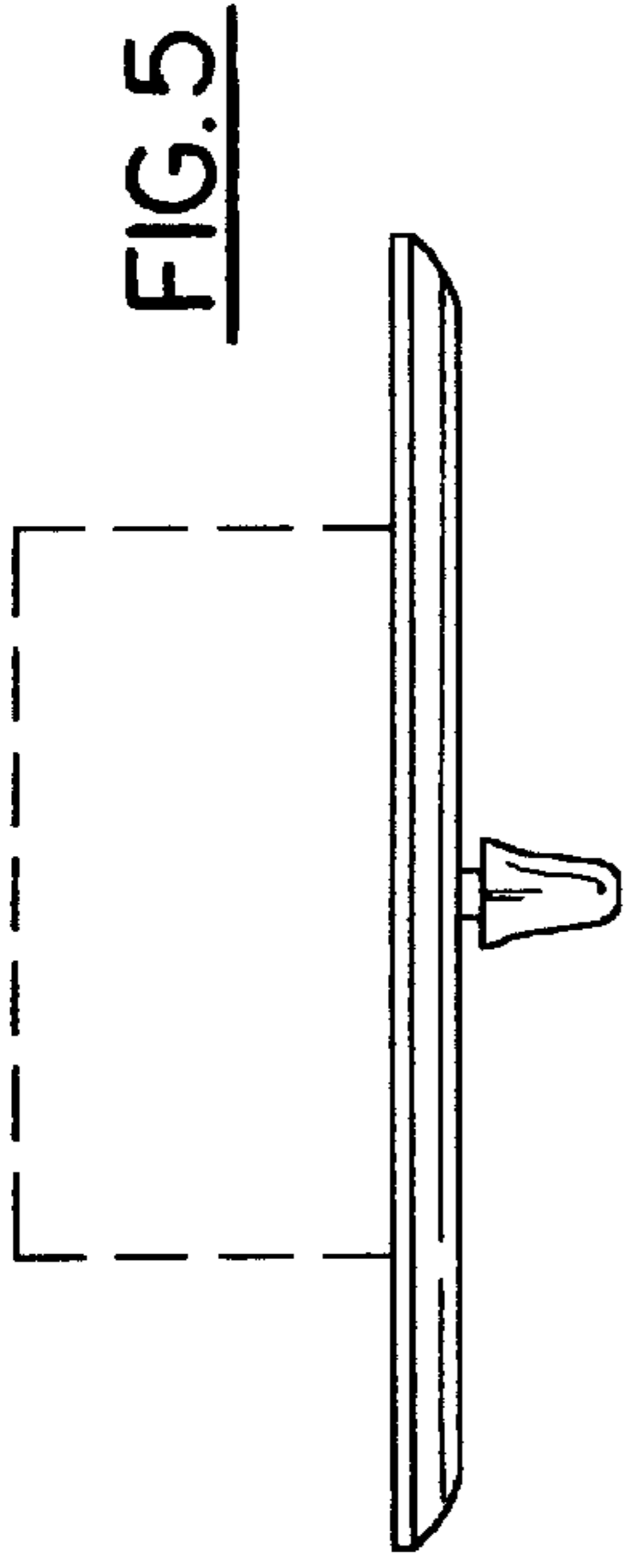


FIG. 5

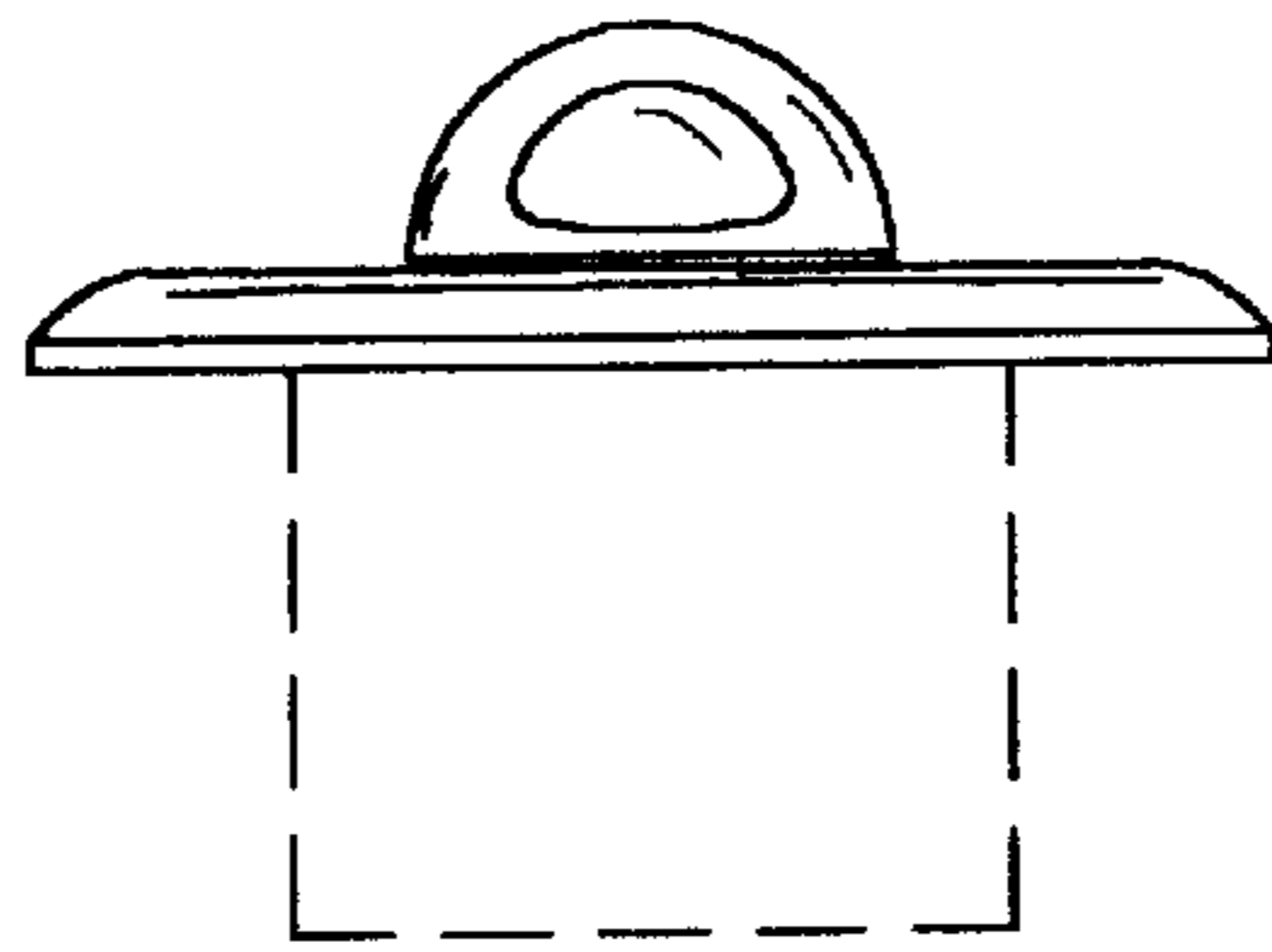


FIG. 3

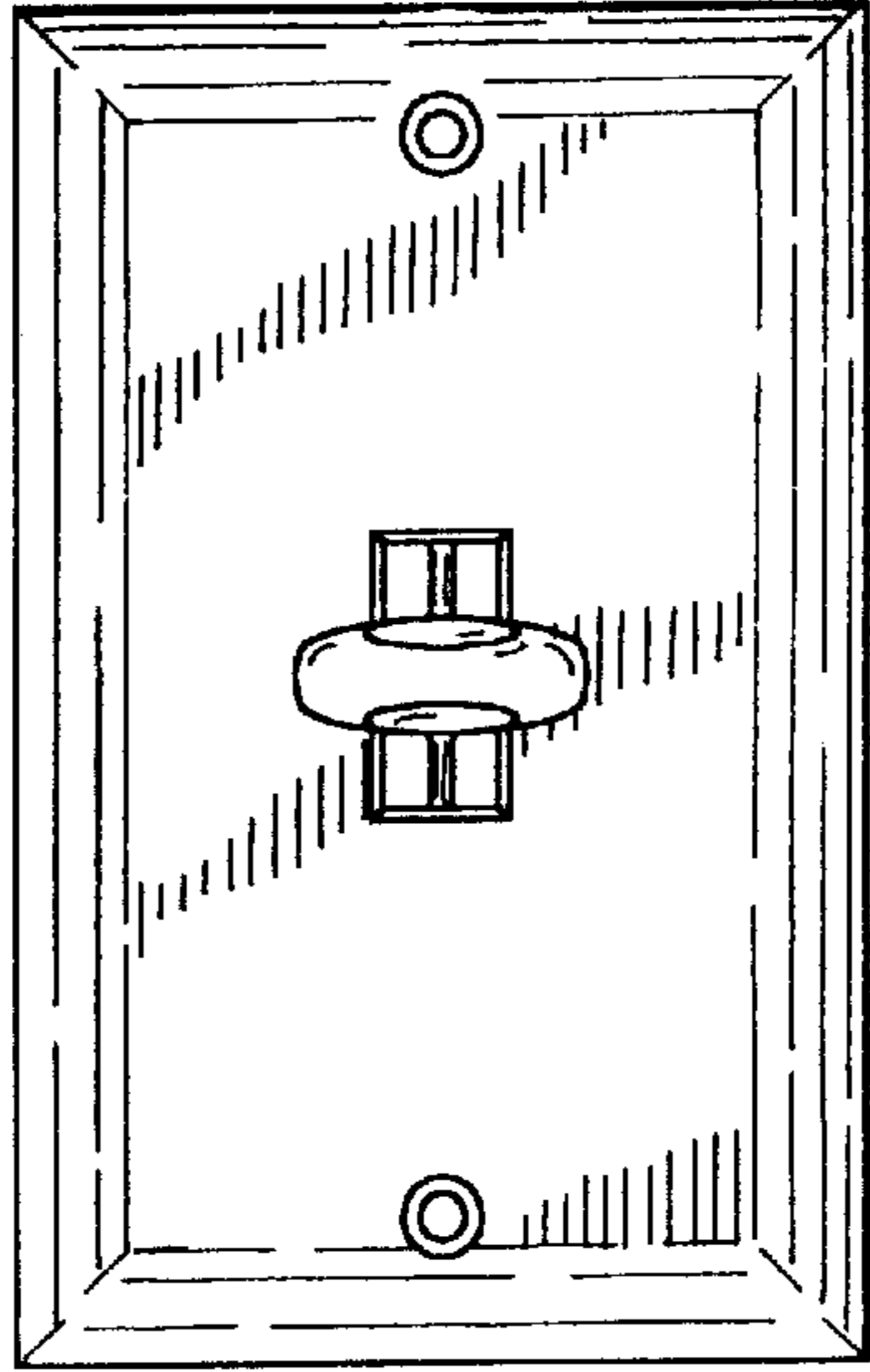


FIG. 1

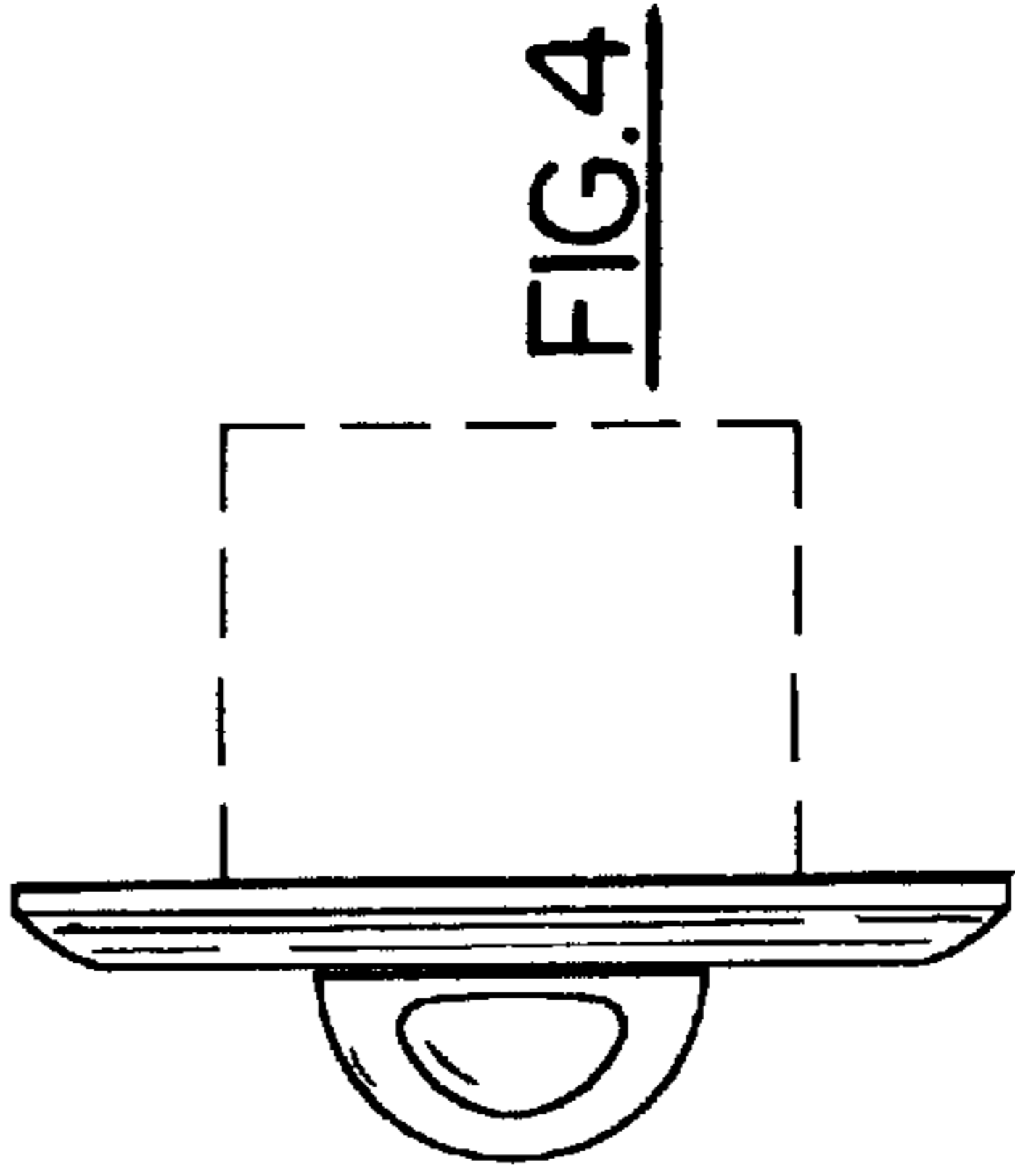


FIG. 4

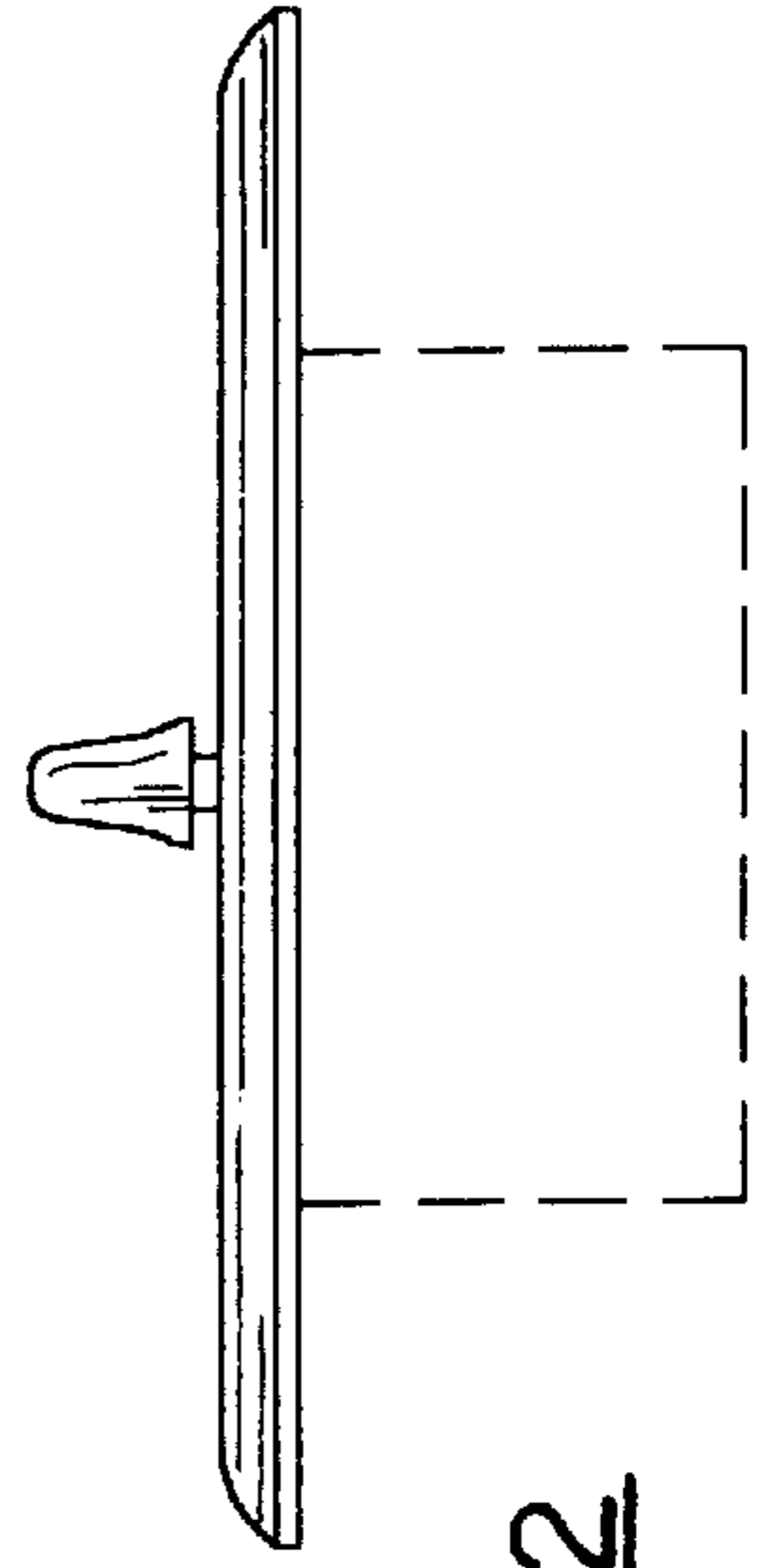


FIG. 2