



US00D437581S

(12) **United States Design Patent**  
**Aruga et al.**

(10) **Patent No.:** **US D437,581 S**

(45) **Date of Patent:** **\*\* Feb. 13, 2001**

(54) **ENGINE GENERATOR**

4,595,841 \* 6/1986 Yaguchi ..... 123/2 X  
4,721,070 \* 1/1988 Tanaka et al. .... 123/2

(75) Inventors: **Hiroyasu Aruga; Hisao Arai; Kenichi Kawakita; Hiroki Awata; Hiroshi Takeuchi**, all of Nagoya (JP)

\* cited by examiner

*Primary Examiner*—Joel Sincavage

(74) *Attorney, Agent, or Firm*—Foley & Lardner

(73) Assignee: **Mitsubishi Heavy Industries, Ltd.**, Tokyo (JP)

(57) **CLAIM**

(\*\*) Term: **14 Years**

The ornamental design for a engine generator, as shown and described.

(21) Appl. No.: **29/115,647**

**DESCRIPTION**

(22) Filed: **Dec. 16, 1999**

FIG. 1 is a top plan view of a generator showing our new design;

(30) **Foreign Application Priority Data**

Jun. 18, 1999 (JP) ..... 11-16150

FIG. 2 is a bottom plan view thereof;

(51) **LOC (7) Cl.** ..... **13-01**

FIG. 3 is a front elevation view thereof;

(52) **U.S. Cl.** ..... **D13/116**

FIG. 4 is a back elevation view thereof;

(58) **Field of Search** ..... **D13/114, 116;**

FIG. 5 is a left-hand side elevation view thereof;

**123/2; 290/1 B**

FIG. 6 is a right-hand side elevation view thereof.

(56) **References Cited**

FIG. 7 is a cross-section view thereof taken along the line VII—VII in FIG. 3; and,

**U.S. PATENT DOCUMENTS**

D. 282,252 \* 1/1986 Yamaguchi et al. .... D13/116

FIG. 8 is a perspective view thereof.

D. 291,432 \* 8/1987 Yaguchi ..... D13/116

FIG. 7 illustrates the configuration of the exterior surface of the claimed design. The internal features of the generator do not form a part of the claimed design. The cross-section hatching of FIG. 7 also does not form a part of the claimed design.

D. 309,597 \* 7/1990 Higuchi et al. .... D13/116

D. 310,348 \* 9/1990 Higuchi et al. .... D13/114

**1 Claim, 4 Drawing Sheets**

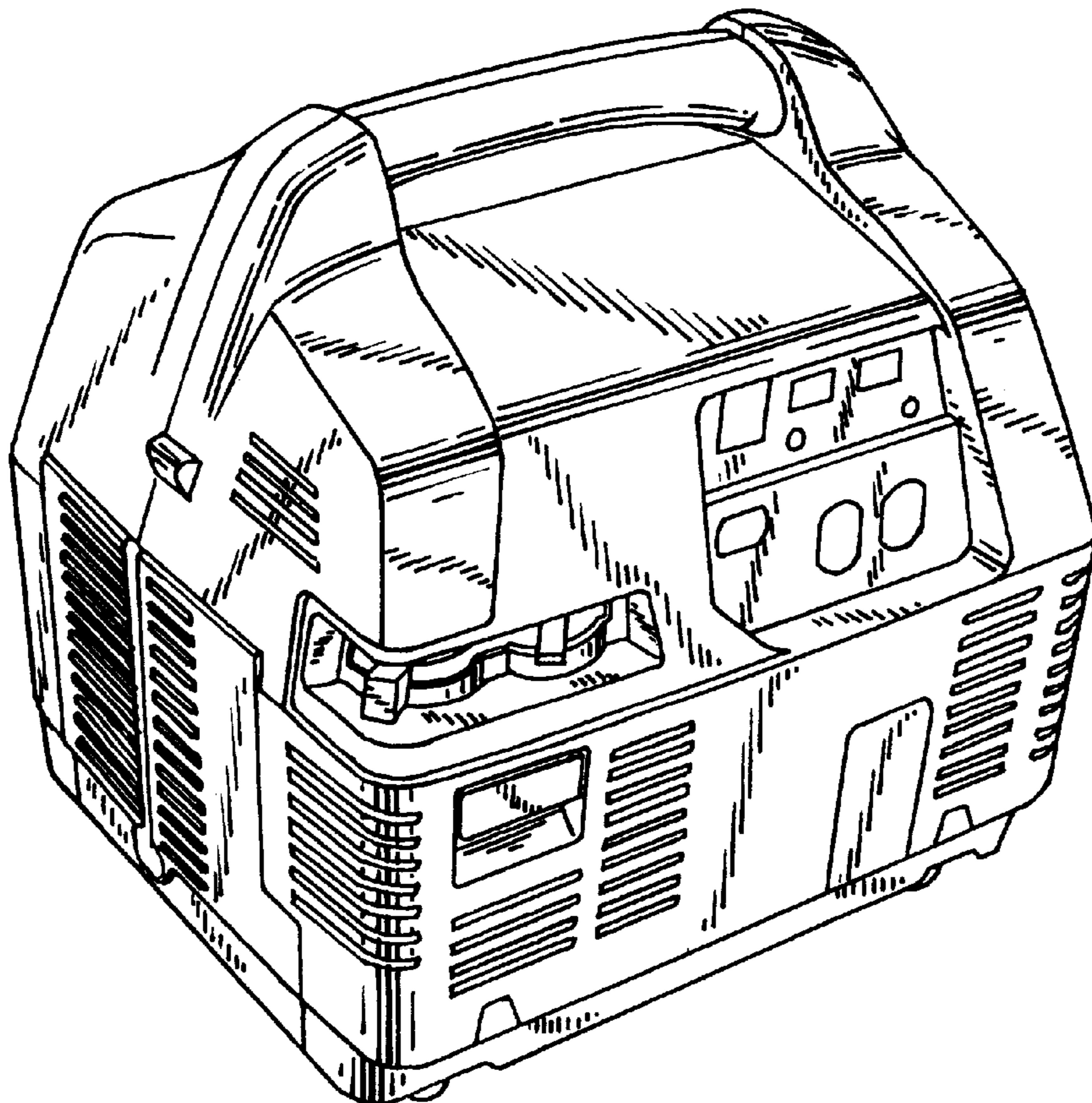


FIG. 1

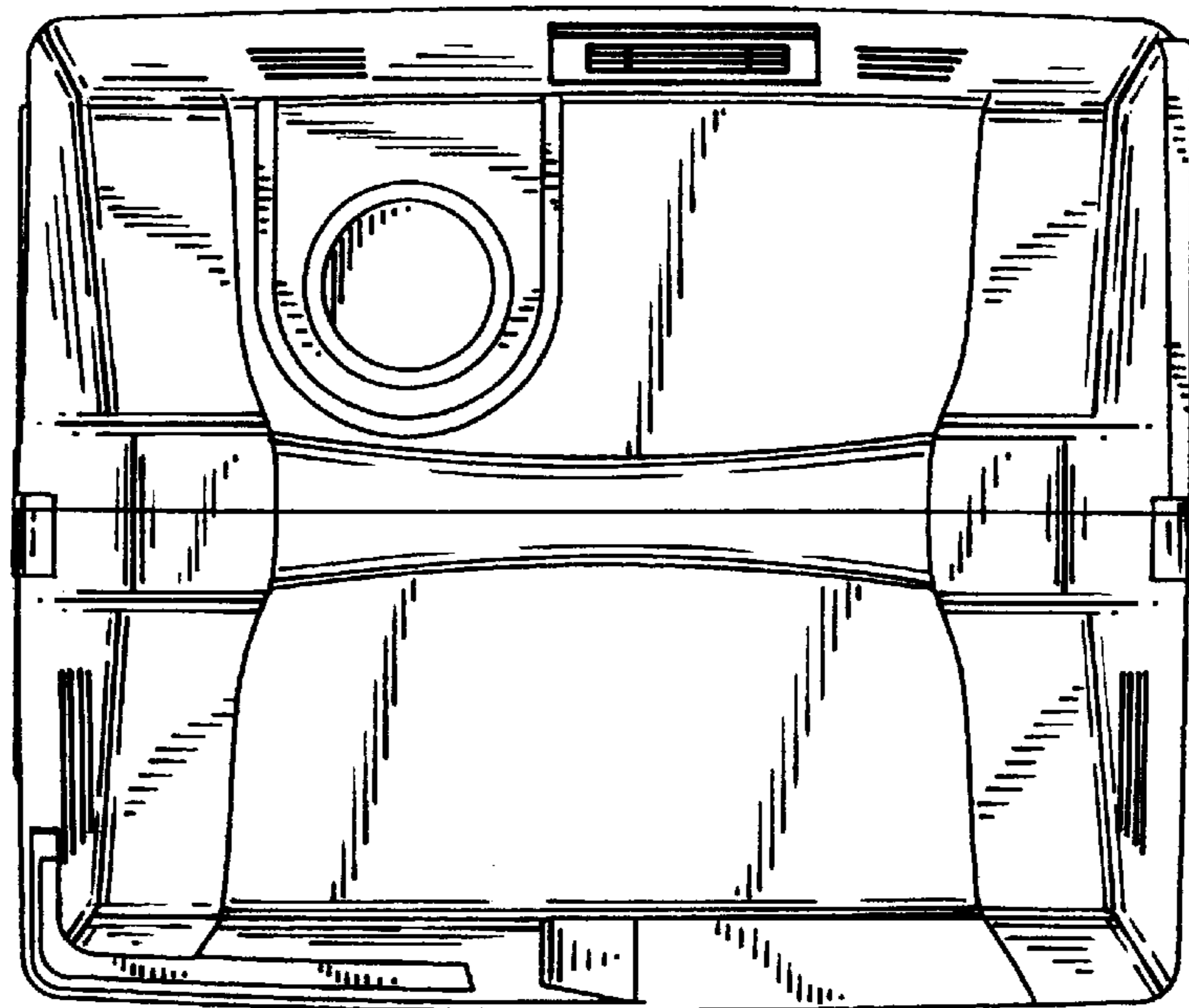


FIG. 2

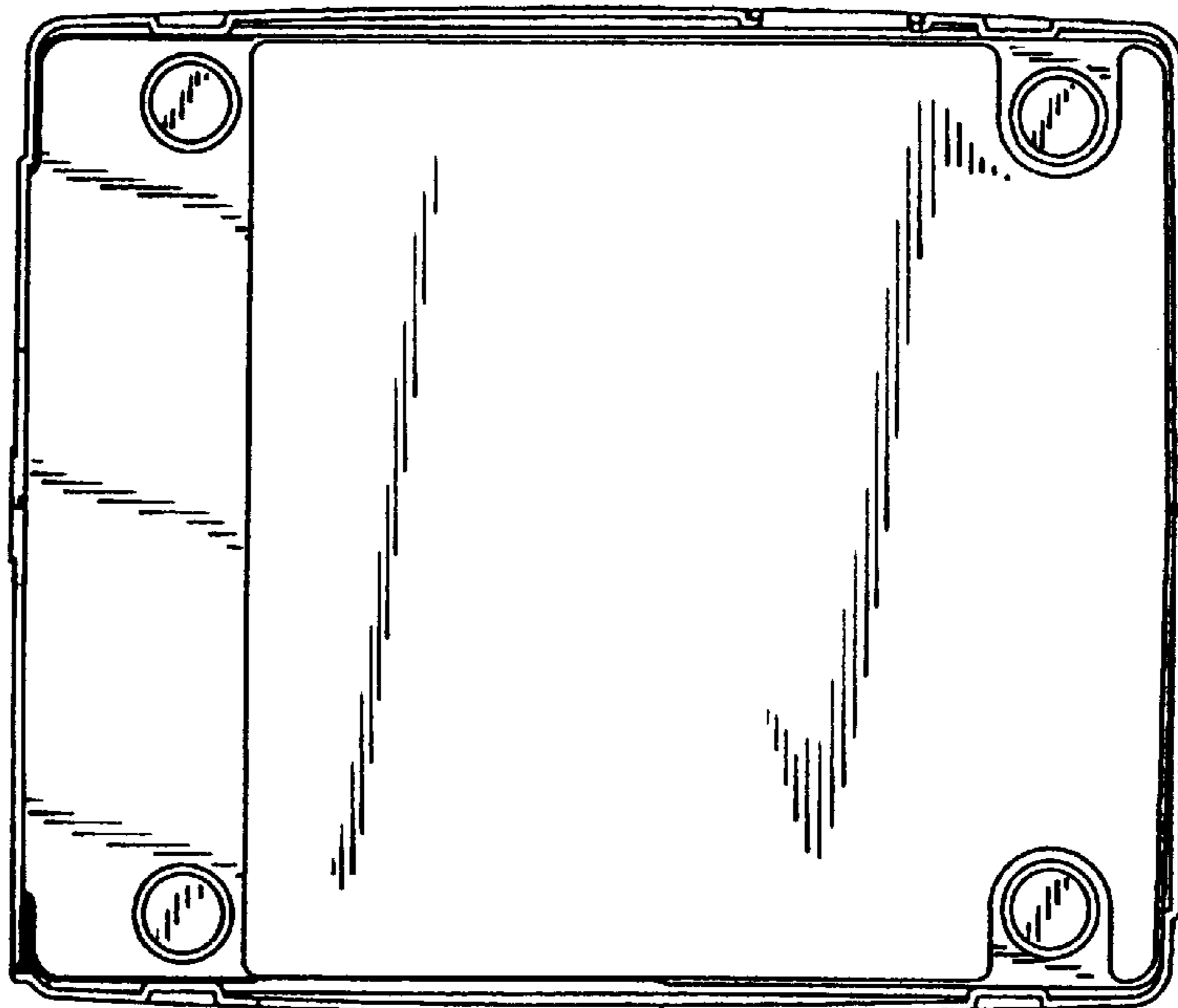
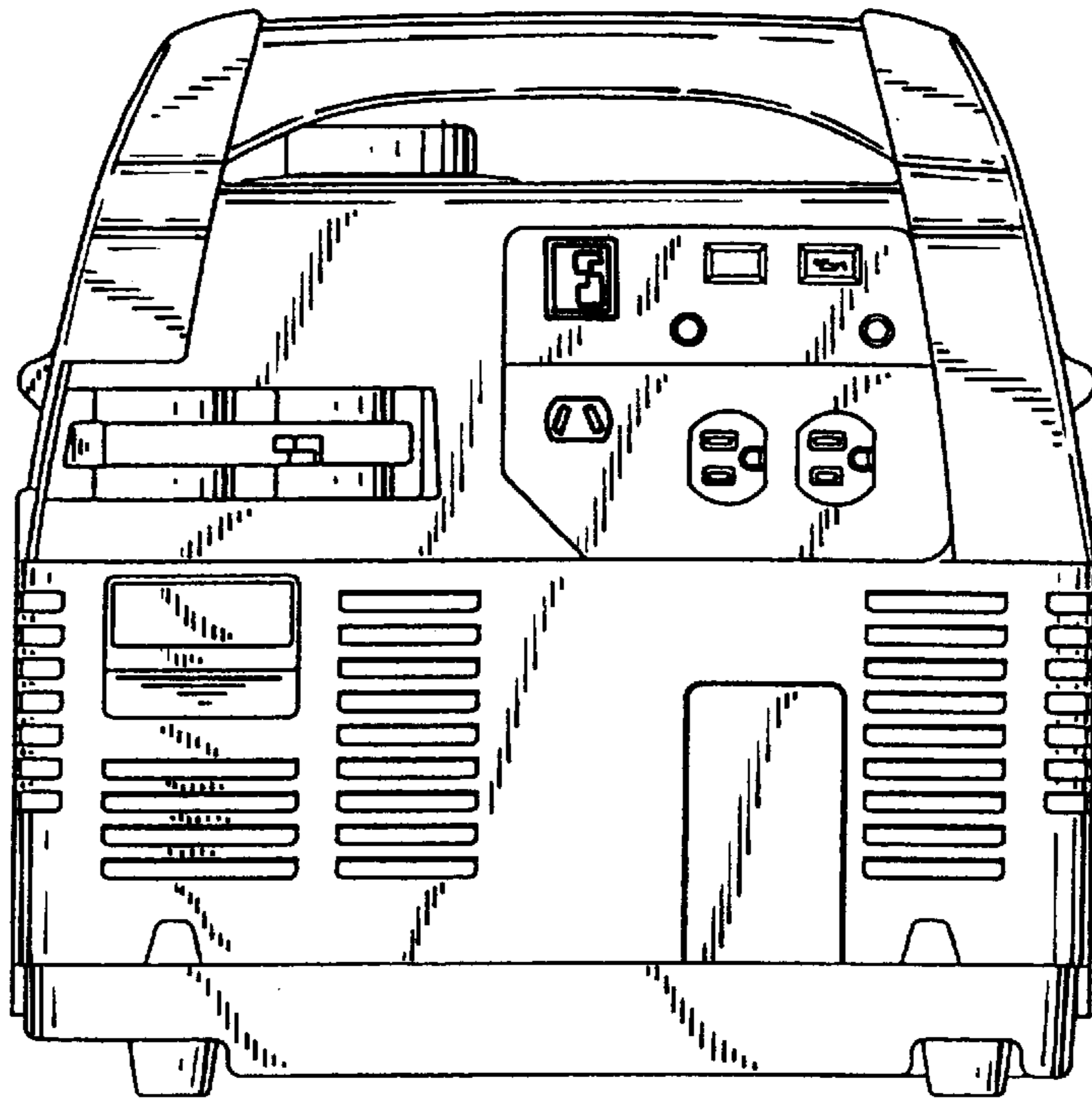


FIG. 3

VII ←



VII ←

FIG. 4

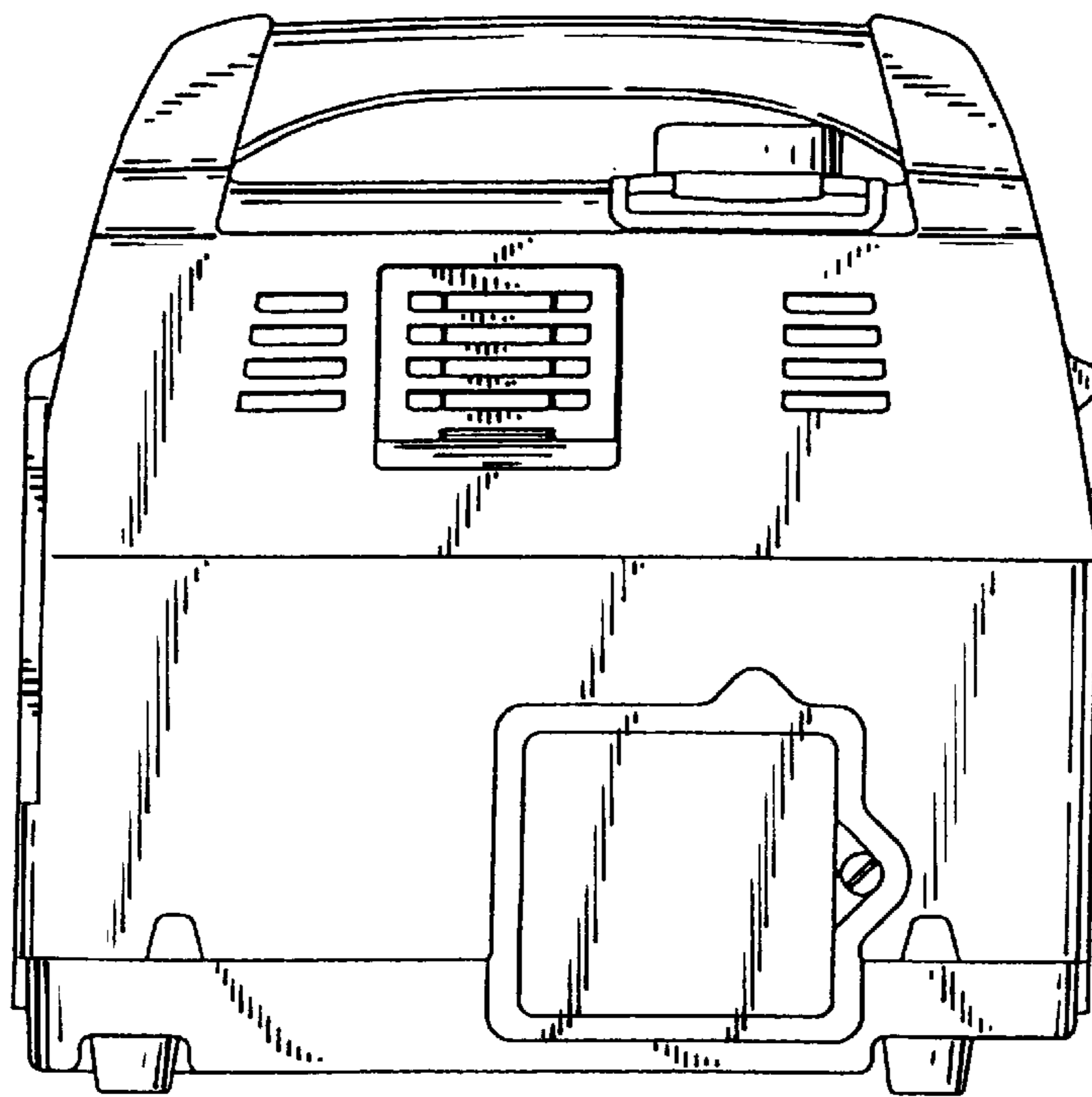


FIG. 5

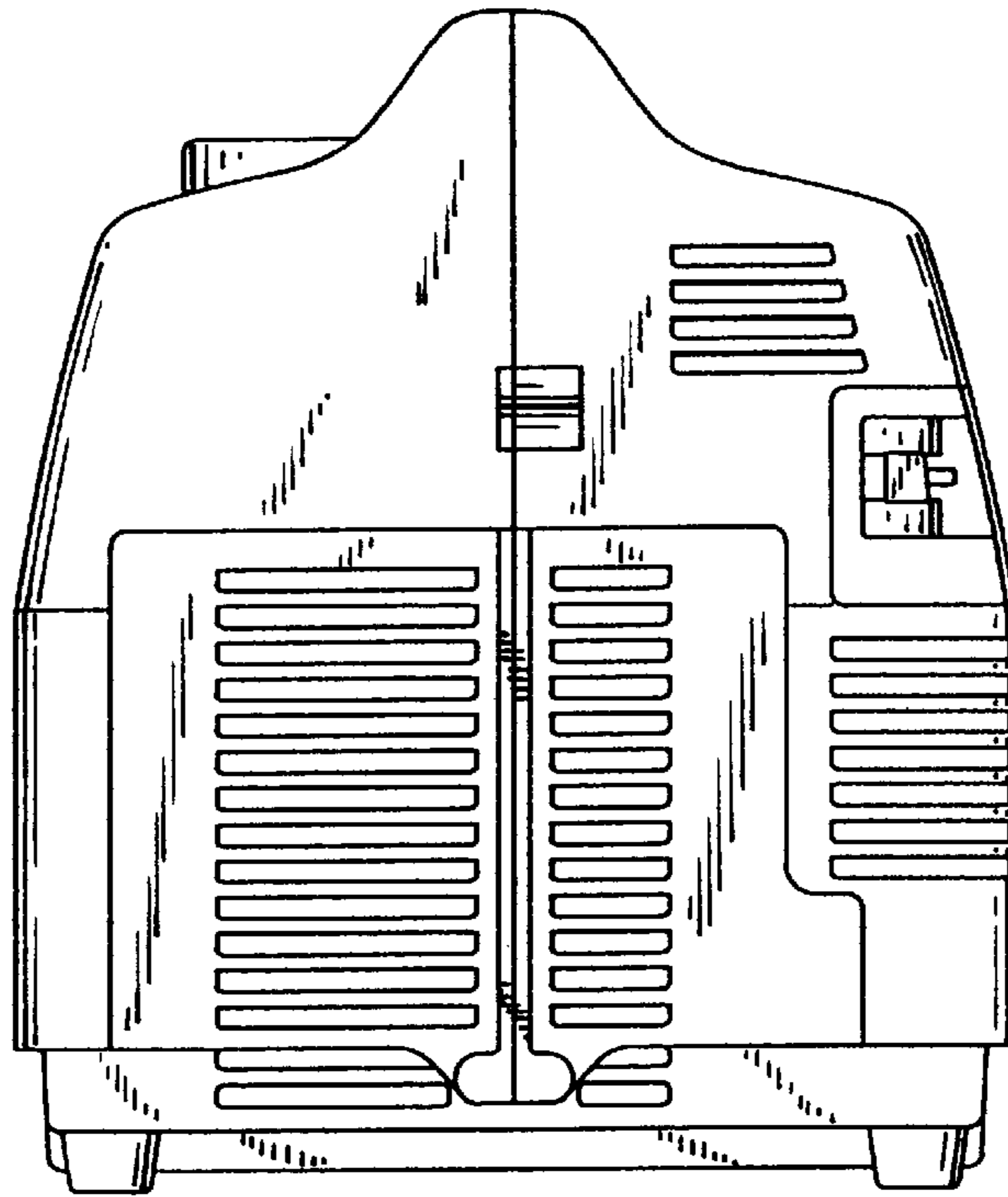


FIG. 6

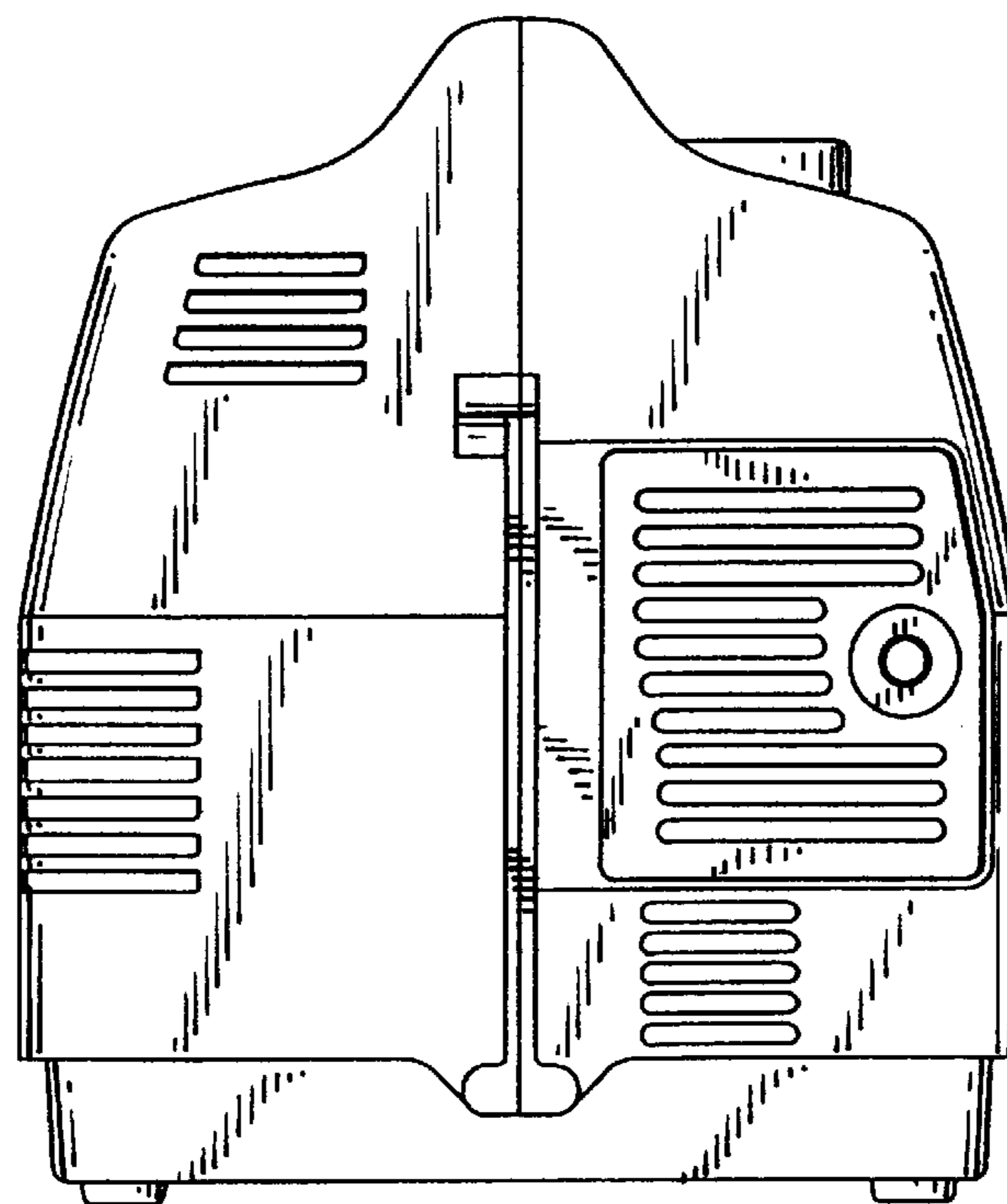


FIG. 7

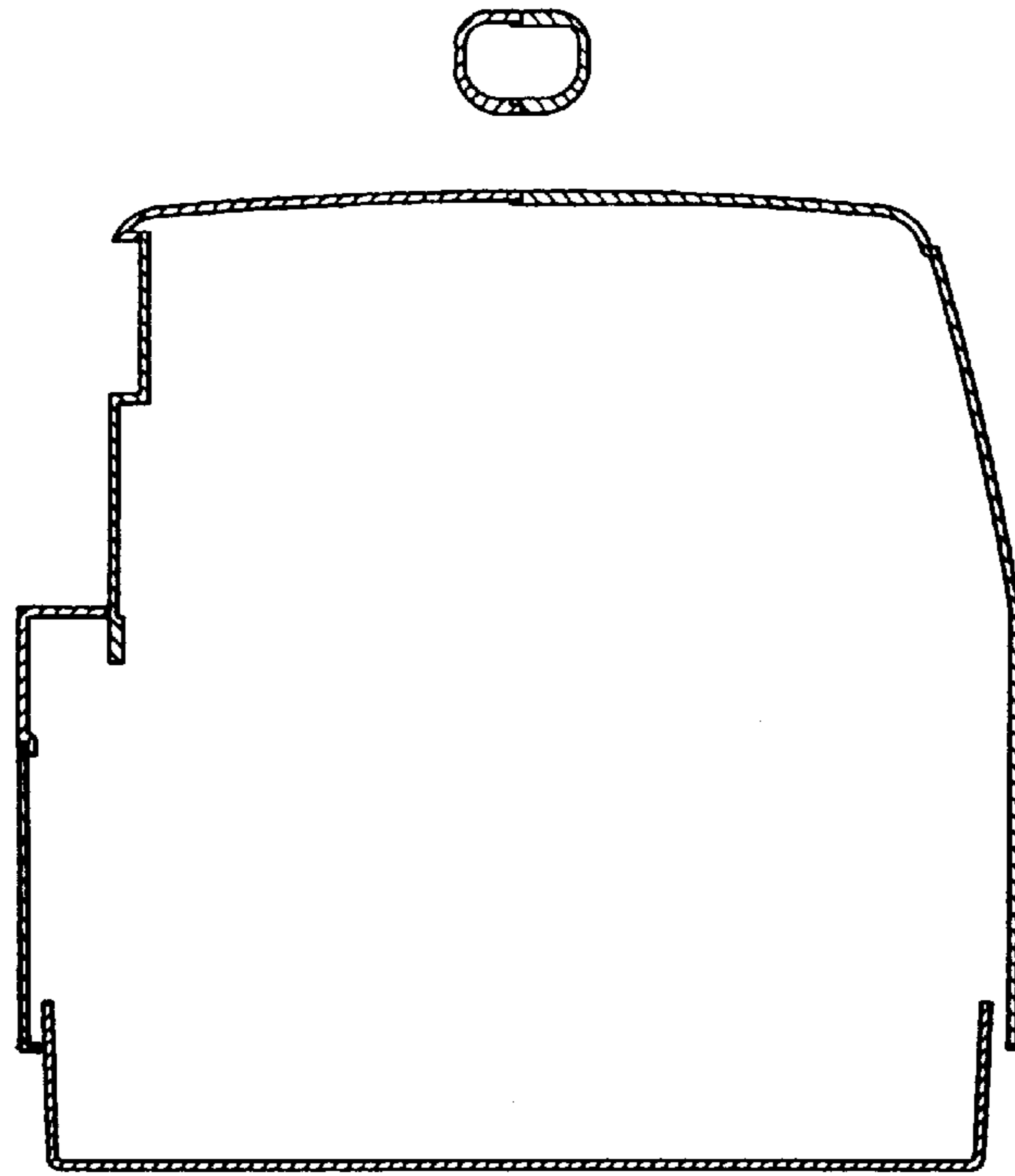


FIG. 8

