



US00D437578S

(12) **United States Design Patent**
Stannard-Warne

(10) **Patent No.:** **US D437,578 S**

(45) **Date of Patent:** **** Feb. 13, 2001**

(54) **GOLF BAG CARRIER FOR A VEHICLE**

(76) Inventor: **Ian Scott Stannard-Warne**, P.O. Box
1069, Angus, Ontario (CA), L0M 1B0

(**) Term: **14 Years**

(21) Appl. No.: **29/126,380**

(22) Filed: **Jul. 17, 2000**

(51) **LOC (7) Cl.** **12-16**

(52) **U.S. Cl.** **D12/406**

(58) **Field of Search** D12/400, 406-412,
D12/162; 224/924, 274, 488-494, 511-514,
532-533, 521, 504, 506, 519, 525, 531;
D6/552, 553, 567, 574, 512; D34/15; 403/252,
253; 211/206, 193

(56) **References Cited**

U.S. PATENT DOCUMENTS

D. 265,645	*	8/1982	Hampton	D12/406
D. 307,253	*	4/1990	Roberts et al.	D12/406
D. 369,340	*	4/1996	Lichtbach	D12/408
D. 409,557	*	5/1999	Armour	D12/408
2,497,597	*	2/1950	Gatewood	224/526
5,052,604		10/1991	Tourangeau	224/274
5,368,209	*	11/1994	Hill	224/512 X
5,586,702	*	12/1996	Sadler	224/521

5,727,642	3/1998	Abbott	180/65.1	
5,806,738	9/1998	D'Angelo	224/521	
6,039,227	*	3/2000	Stark	224/521
6,039,228	*	3/2000	Stein et al.	224/532

* cited by examiner

Primary Examiner—Stacia Cadmus

(74) *Attorney, Agent, or Firm*—Merek & Voorhees

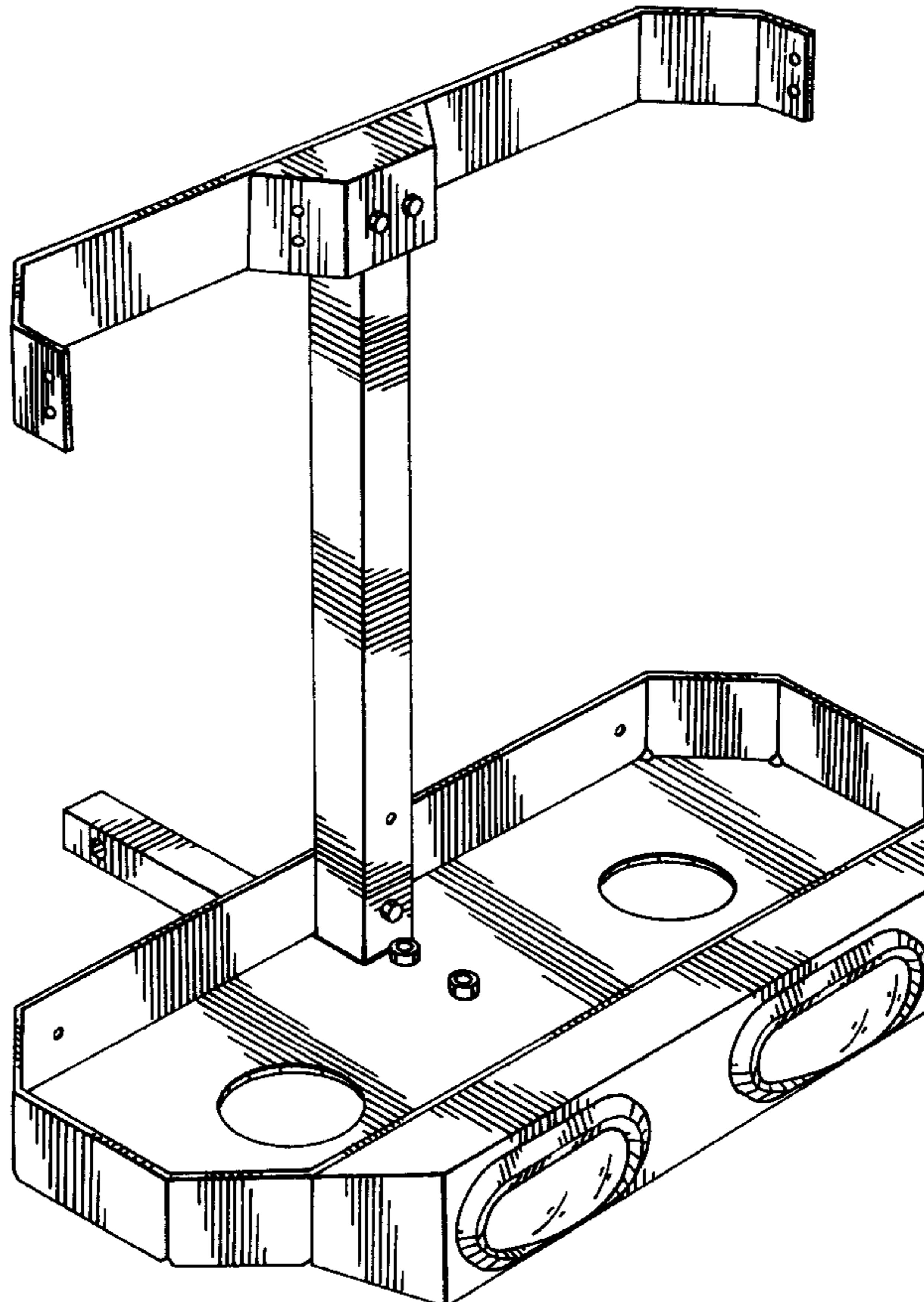
(57) **CLAIM**

The ornamental design for a golf bag carrier for a vehicle,
as shown and described.

DESCRIPTION

FIG. 1 is an upper side perspective view of the golf bag carrier for a vehicle showing my new design;
FIG. 2 is a left side elevational view thereof;
FIG. 3 is a top view thereof;
FIG. 4 is a front elevational view thereof;
FIG. 5 is a bottom view thereof;
FIG. 6 is a right side elevational view thereof;
FIG. 7 is a rear elevational view thereof; and,
FIG. 8 is a right side elevational view of the golf bag carrier for a vehicle shown as it may be attached to a vehicle.
The broken line showing of environment is for illustrative purposes only and forms no part of the claimed design.

1 Claim, 6 Drawing Sheets



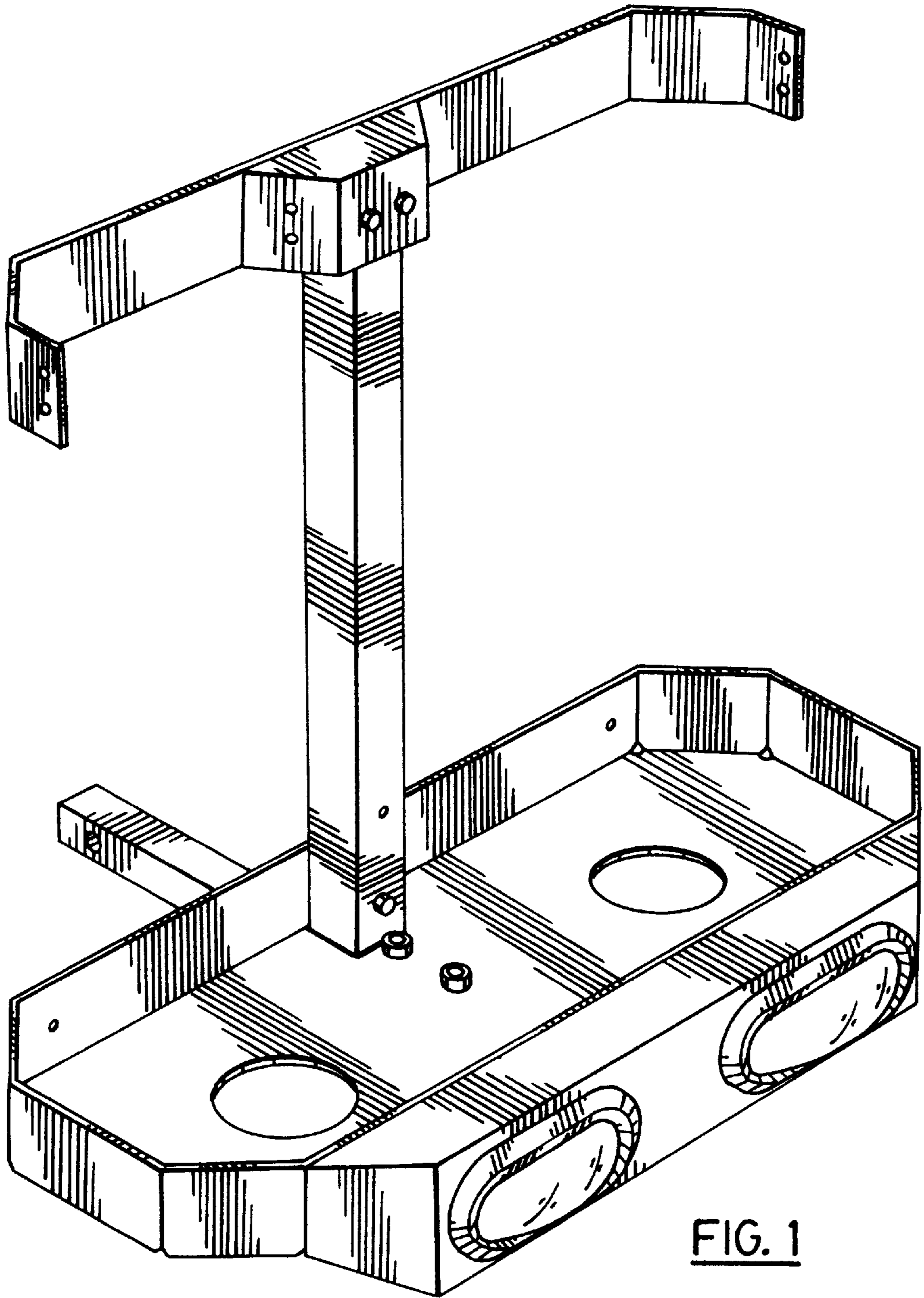


FIG. 1

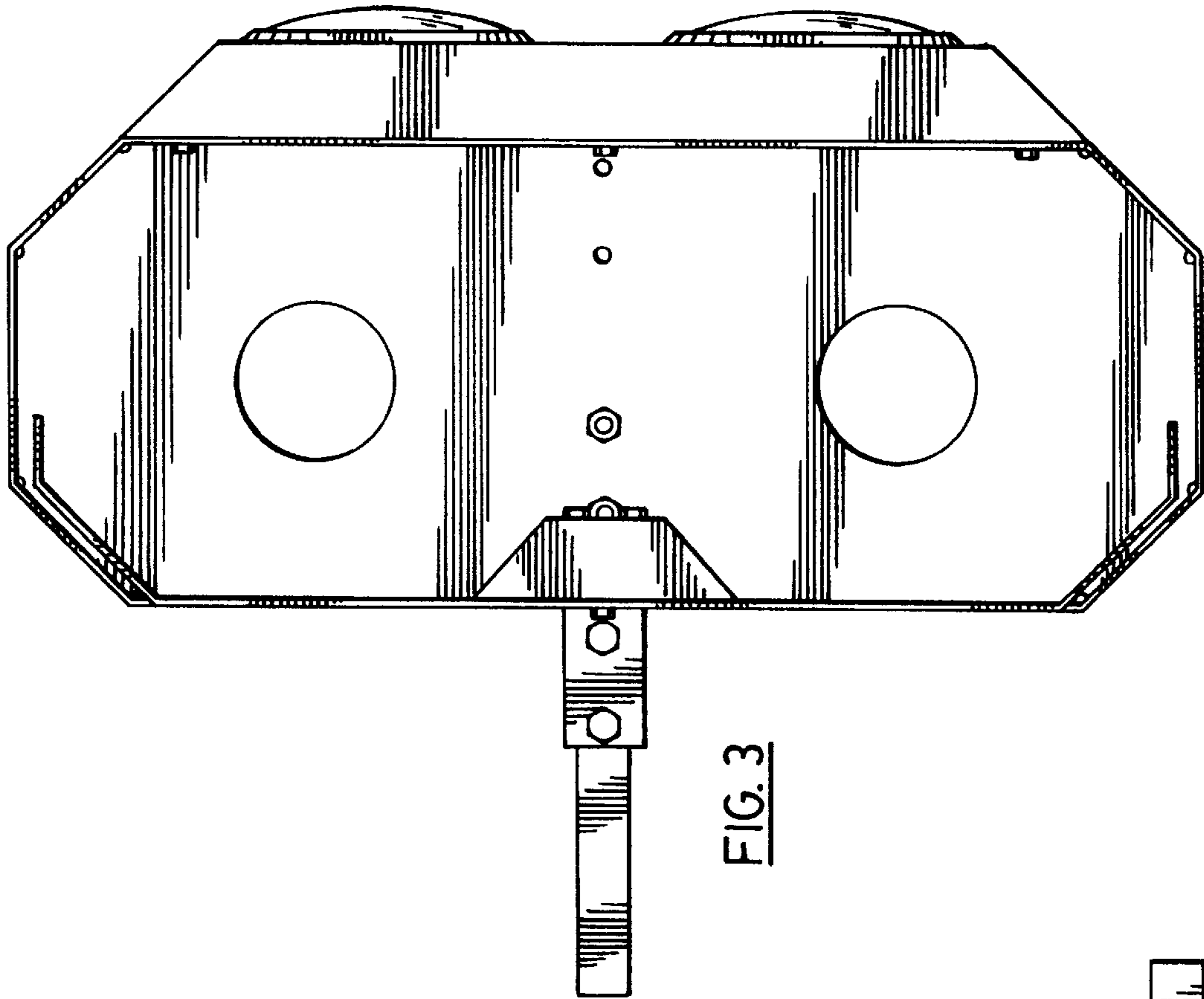


FIG. 3

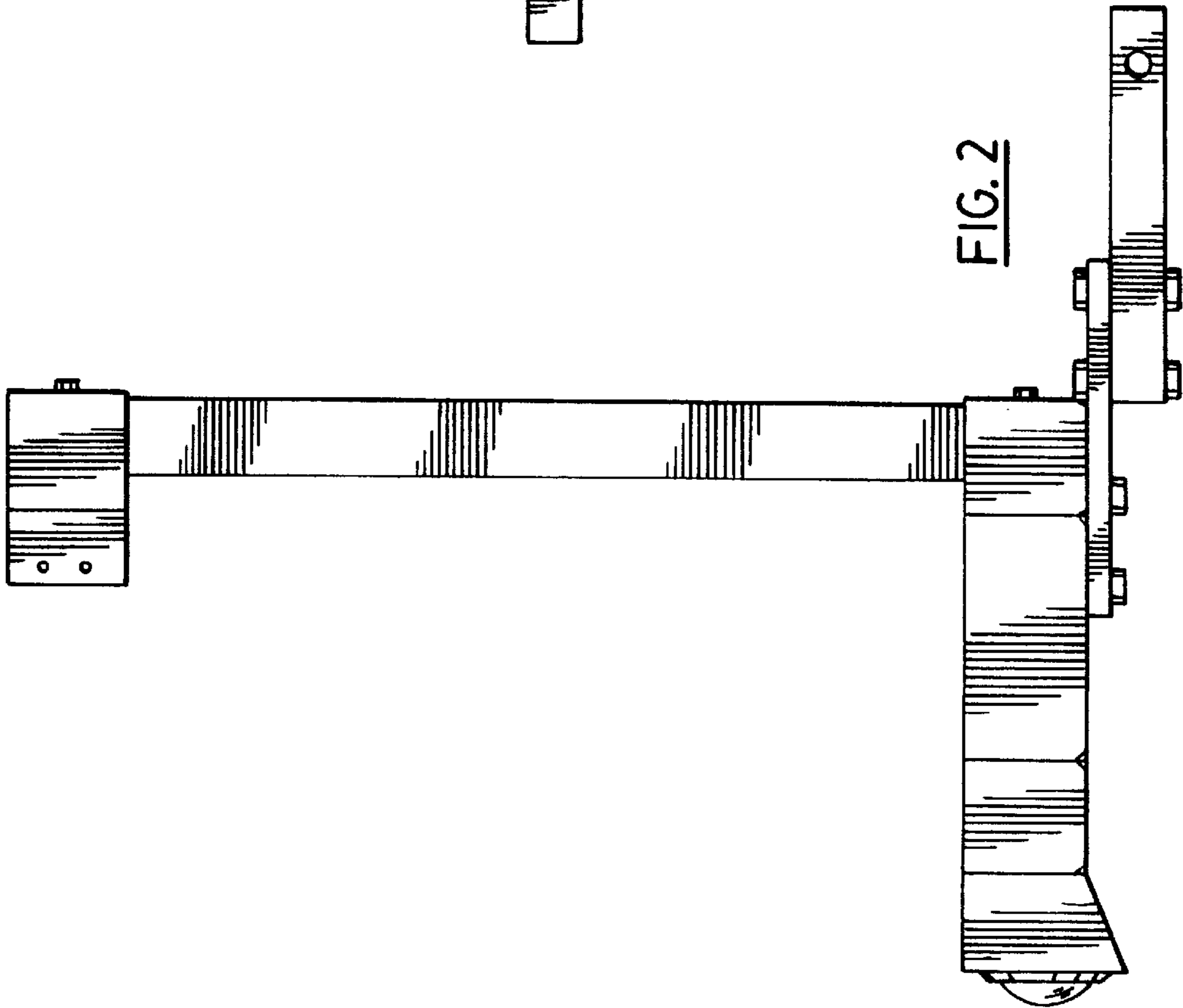


FIG. 2

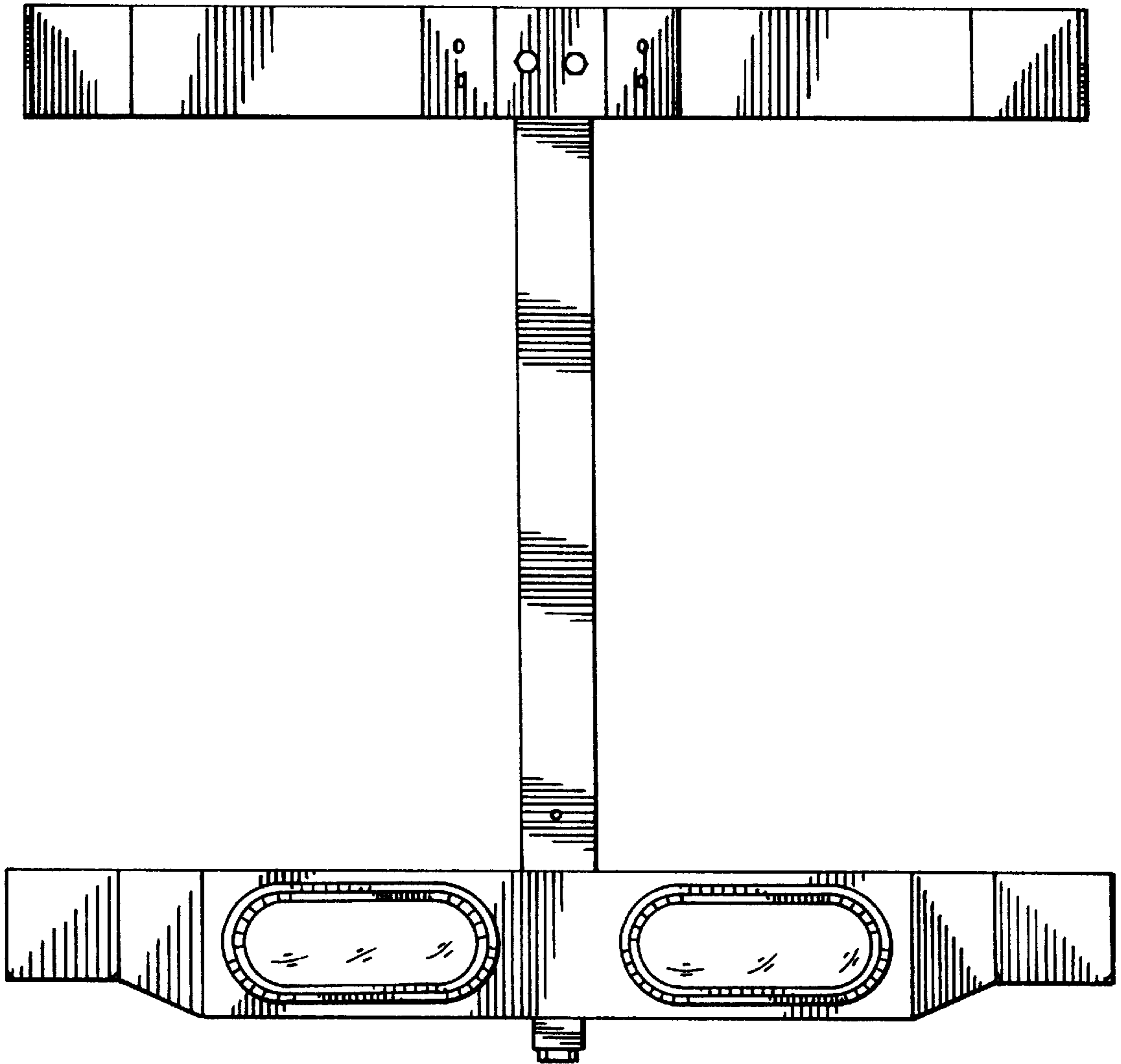


FIG. 4

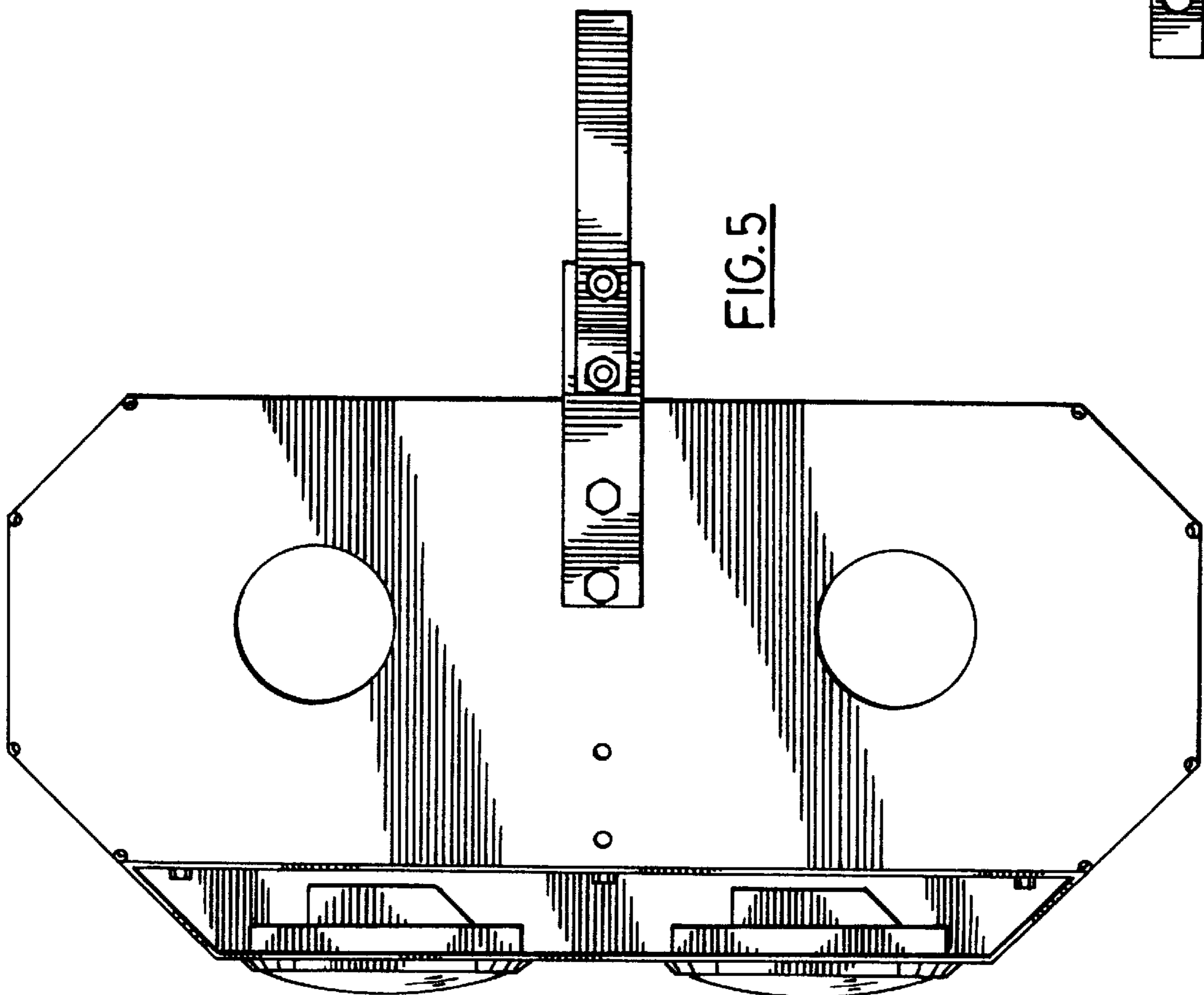


FIG. 5

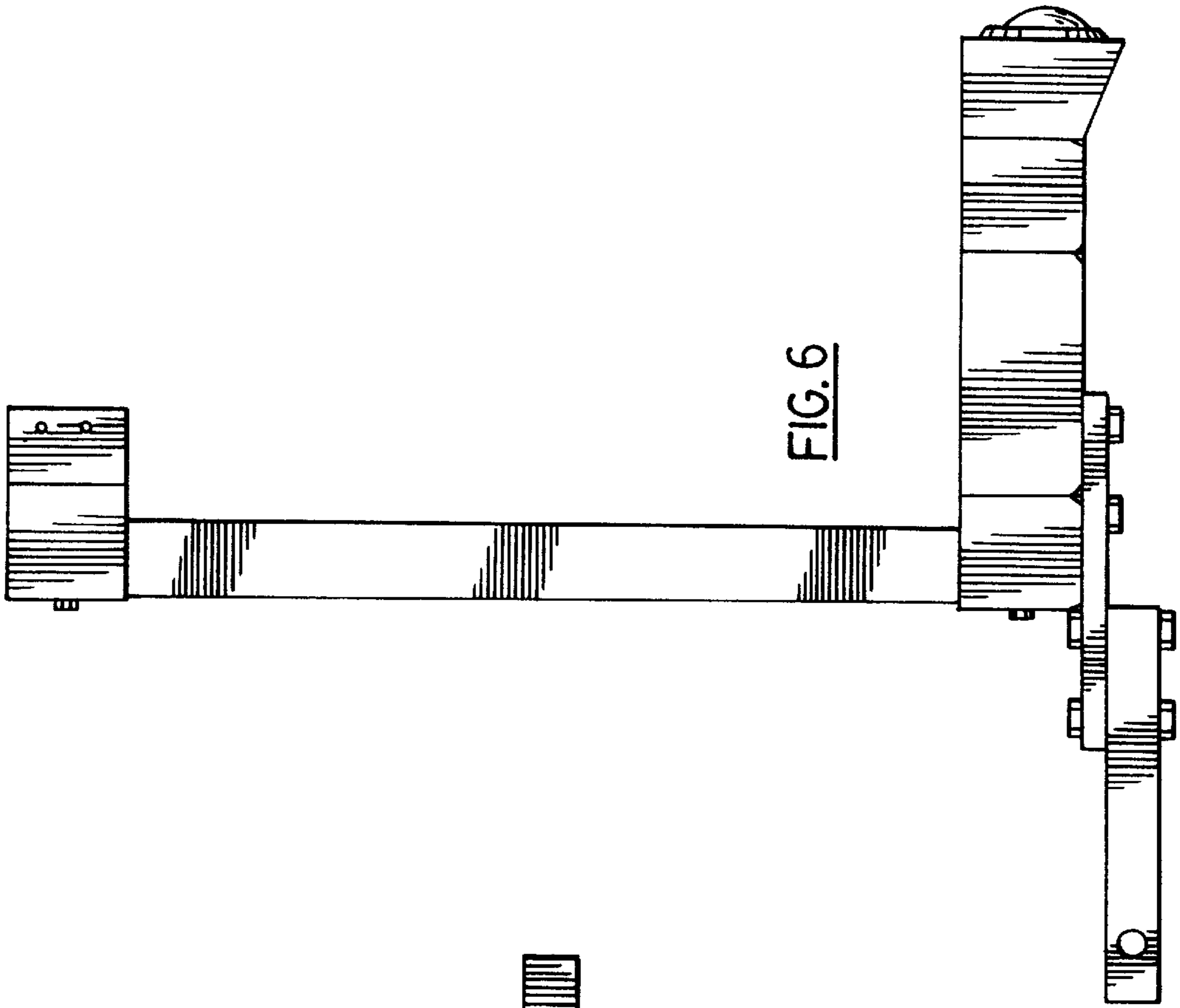


FIG. 6

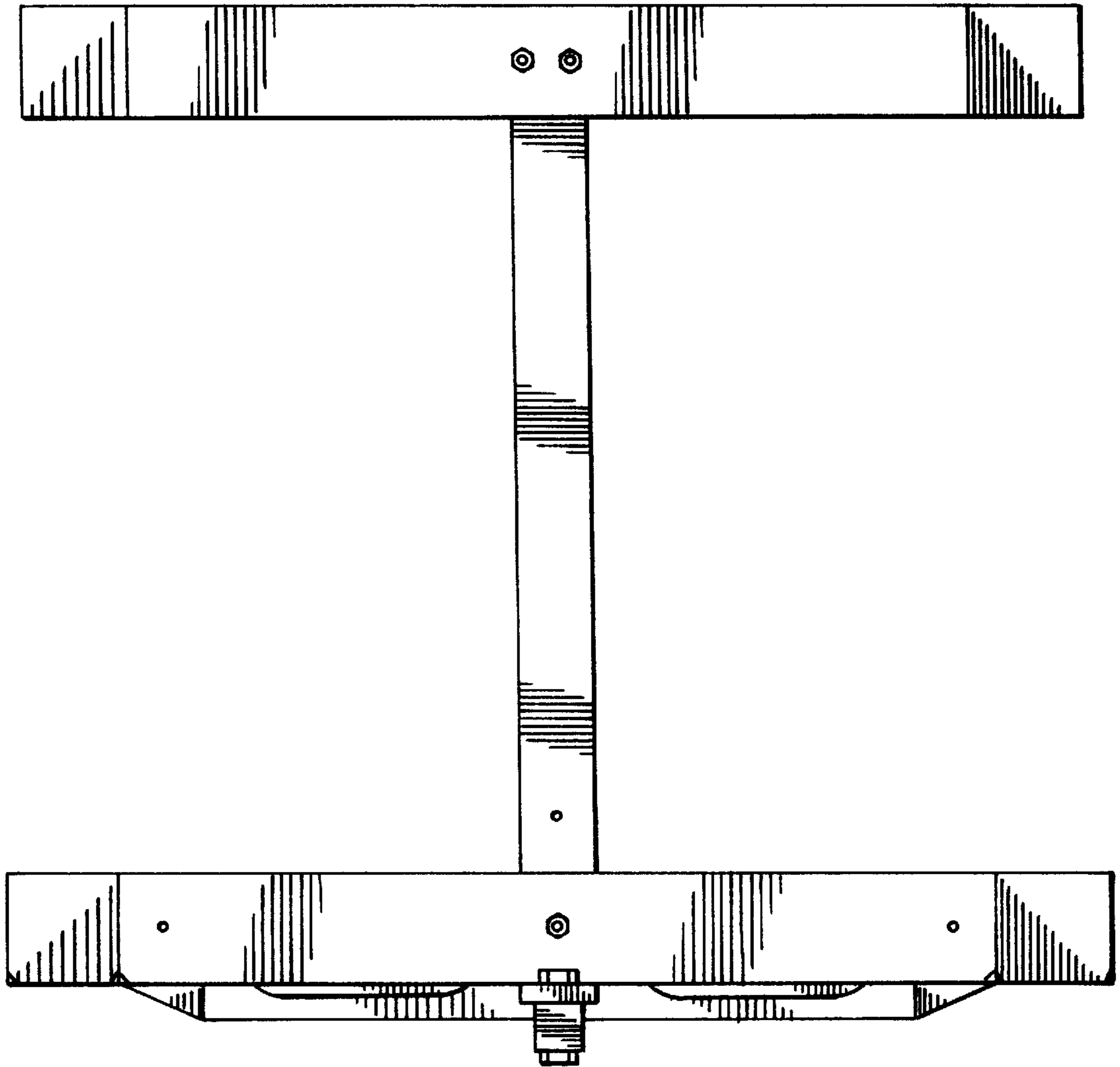


FIG. 7

