



US00D437555S

(12) **United States Design Patent**
Di Canio et al.

(10) **Patent No.:** **US D437,555 S**

(45) **Date of Patent:** **** Feb. 13, 2001**

(54) **BOTTLE**

(75) Inventors: **Robert G. Di Canio**, Naperville;
Christopher D. Rowe, Barrington, both
of IL (US)

(73) Assignee: **Stokely-Van Camp, Inc.**, Chicago, IL
(US)

(**) Term: **14 Years**

(21) Appl. No.: **29/078,535**

(22) Filed: **Oct. 28, 1997**

(51) **LOC (7) Cl.** **09-10**

(52) **U.S. Cl.** **D9/434**

(58) **Field of Search** D9/520, 537, 538,
D9/540, 550, 551-553, 434, 516, 503, 500;
215/381, 383, 384

(56) **References Cited**

U.S. PATENT DOCUMENTS

D. 154,563	*	7/1949	Peters	D9/551
D. 214,158		5/1969	Pettengill	D9/100
D. 218,019		7/1970	Lattraye et al.	D9/73

(List continued on next page.)

FOREIGN PATENT DOCUMENTS

1009146		1/1989	(JP)	.	
5553		2/1993	(PH)	D9/502

OTHER PUBLICATIONS

Oct. 11, 1997, pictures of bottles (Exhibit A).

Oct. 11, 1997, pictures of bottles (Exhibit B).

* cited by examiner

Primary Examiner—Dominic Simone

(74) *Attorney, Agent, or Firm*—Lars S. Johnson

(57) **CLAIM**

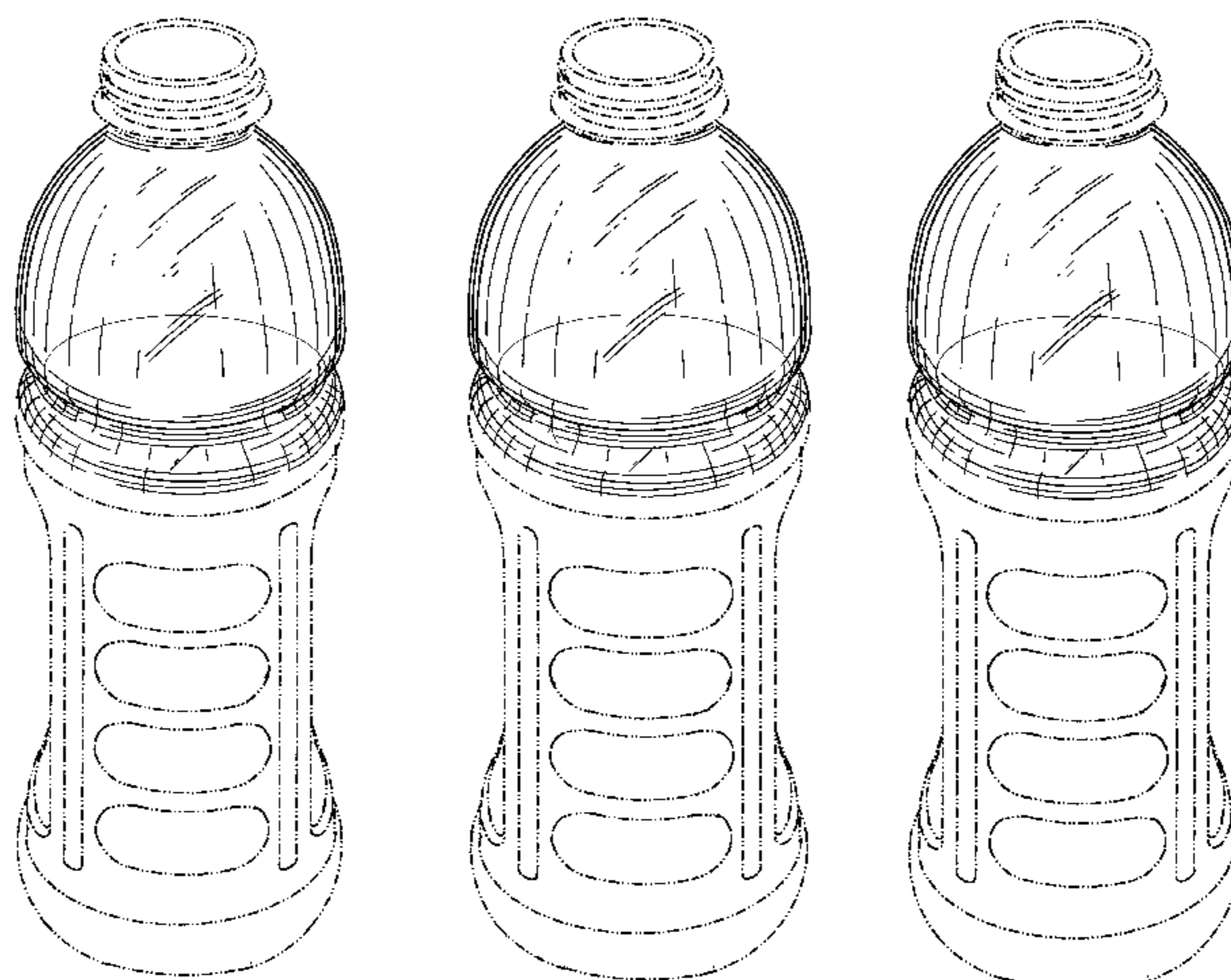
The ornamental design for a bottle, as shown and described.

DESCRIPTION

FIG. 1 is a perspective view of a bottle showing our new design;

FIG. 2 is a front view of the bottle depicted in FIG. 1, the opposite side being identical;
 FIG. 3 is a side view of the bottle depicted in FIG. 2, representing a partial rotation of the bottle about its vertical center axis from the front view depicted in FIG. 2, the opposite side being identical;
 FIG. 4 is a top view of the bottle depicted in FIG. 2;
 FIG. 5 is a perspective view of a second embodiment of a bottle as depicted in FIG. 1;
 FIG. 6 is a front view of the bottle depicted in FIG. 5, the opposite side being identical;
 FIG. 7 is a side view of the bottle depicted in FIG. 6, representing a partial rotation of the bottle about its vertical center axis from the front view depicted in FIG. 6, the opposite side being identical;
 FIG. 8 is a top view of the bottle depicted in FIG. 6;
 FIG. 9 is a perspective view of a third embodiment of a bottle as depicted in FIG. 1;
 FIG. 10 is a front view of the bottle depicted in FIG. 9, the opposite side being identical;
 FIG. 11 is a side view of the bottle depicted in FIG. 10, representing a partial rotation of the bottle about its vertical center axis from the front view depicted in FIG. 10, the opposite side being identical;
 FIG. 12 is a top view of the bottle depicted in FIG. 10;
 FIG. 13 is a perspective view of a fourth embodiment of a bottle as depicted in FIG. 1;
 FIG. 14 is a front view of the bottle depicted in FIG. 13, the opposite side being identical;
 FIG. 15 is a side view of the bottle depicted in FIG. 14, representing a partial rotation of the bottle about its vertical center axis from the front view depicted in FIG. 14, the opposite side being identical;
 FIG. 16 is a top view of the bottle depicted in FIG. 14;
 FIG. 17 is a perspective view of a fifth embodiment of a bottle as depicted in FIG. 1;
 FIG. 18 is a front view of the bottle depicted in FIG. 17, the opposite side being identical;
 FIG. 19 is a side view of the bottle depicted in FIG. 17, representing a partial rotation of the bottle about its vertical center axis from the front view depicted in FIG. 17, the opposite side being identical; and,
 FIG. 20 is a top view of the bottle depicted in FIG. 17.
 The broken line environmental showing is for illustrative purposes only and does no form part of the claimed design.

1 Claim, 10 Drawing Sheets



US D437,555 S

Page 2

U.S. PATENT DOCUMENTS

D. 235,736	7/1975	Strand et al.	D9/111	D. 397,297	8/1998	Yang	D9/523
D. 269,500	6/1983	Bit	D9/350	D. 397,941	9/1998	Lauth	D9/502
D. 294,117	2/1988	Rogler et al.	D9/390	D. 401,860	12/1998	Granelli	D9/538
D. 294,463	3/1988	Lang	D9/392	4,863,046	9/1989	Collette et al.	215/1 C
D. 294,678	3/1988	Papa	D9/392	4,907,709	3/1990	Abe et al. .	
D. 295,381	4/1988	Papa	D9/392	5,005,716	4/1991	Eberle	215/1 C
D. 300,805 *	4/1989	Rogler et al.	D9/520	5,024,341	6/1991	Dekerle	215/11.1
D. 306,262	2/1990	Bit	D9/396	5,064,081	11/1991	Hayashi et al.	215/1 C
D. 334,342	3/1993	Thompson	D9/502	5,141,120	8/1992	Brown et al. .	
D. 335,084	4/1993	Snyder	D9/502	5,141,121	8/1992	Brown et al. .	
D. 344,457	2/1994	Prevot et al.	D9/537	5,178,289	1/1993	Krishnakumar et al.	215/1 C
D. 345,693	4/1994	Edstrom .		5,303,833	4/1994	Hayashi et al.	215/1 C
D. 348,606	7/1994	Edstrom .		5,337,909	8/1994	Vaillencourt .	
D. 352,245	11/1994	Krishnakumar et al. .		5,385,250	1/1995	Pasquale	215/1 C
D. 370,178	5/1996	Petre et al.	D9/520	5,472,105	12/1995	Krishnakumar et al. .	
D. 379,224 *	5/1997	McCallister et al.	D9/520	5,579,937 *	12/1996	Valyi	215/384
D. 379,306	5/1997	Peykoff	D9/502	5,704,503	1/1998	Krishnakumar et al.	215/381
D. 396,413	7/1998	Duboff	D9/539	5,746,339	5/1998	Petre et al.	215/383
D. 396,640	8/1998	Conrad et al.	D9/502	5,758,790 *	6/1998	Ewing, Jr.	215/384
				5,836,469 *	11/1998	Zebrowski	215/384
				5,971,184	10/1999	Krishnakumar	215/384

FIG. 1

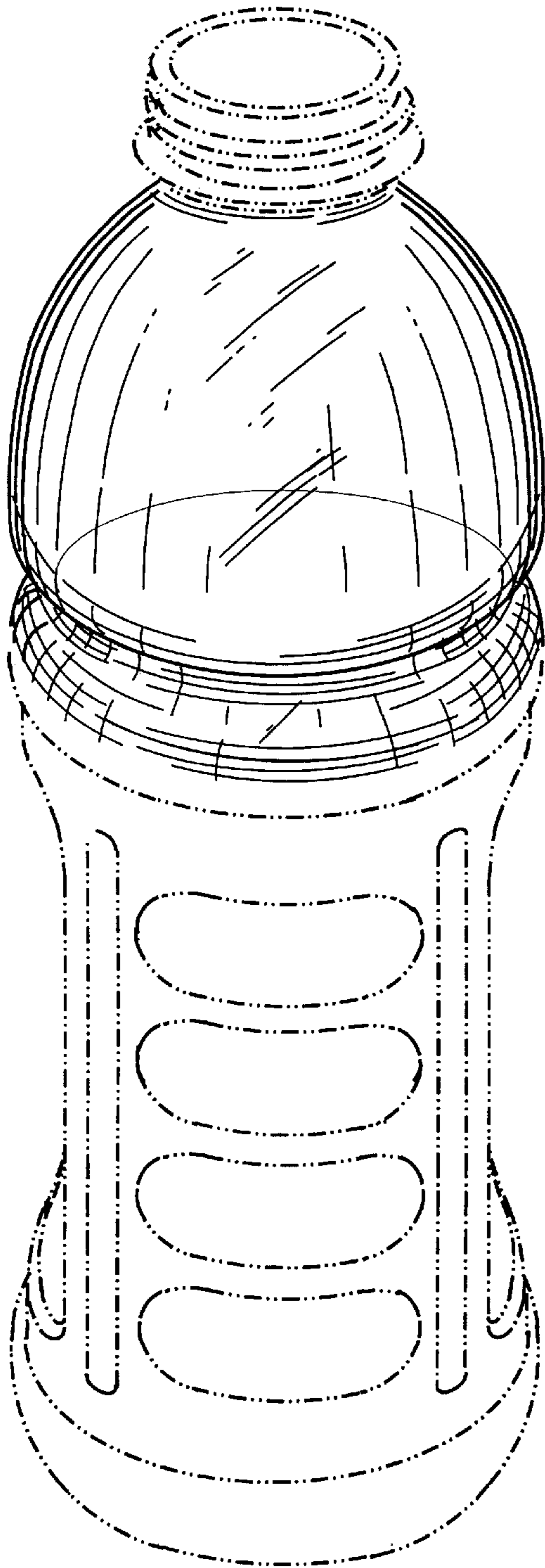


FIG. 4

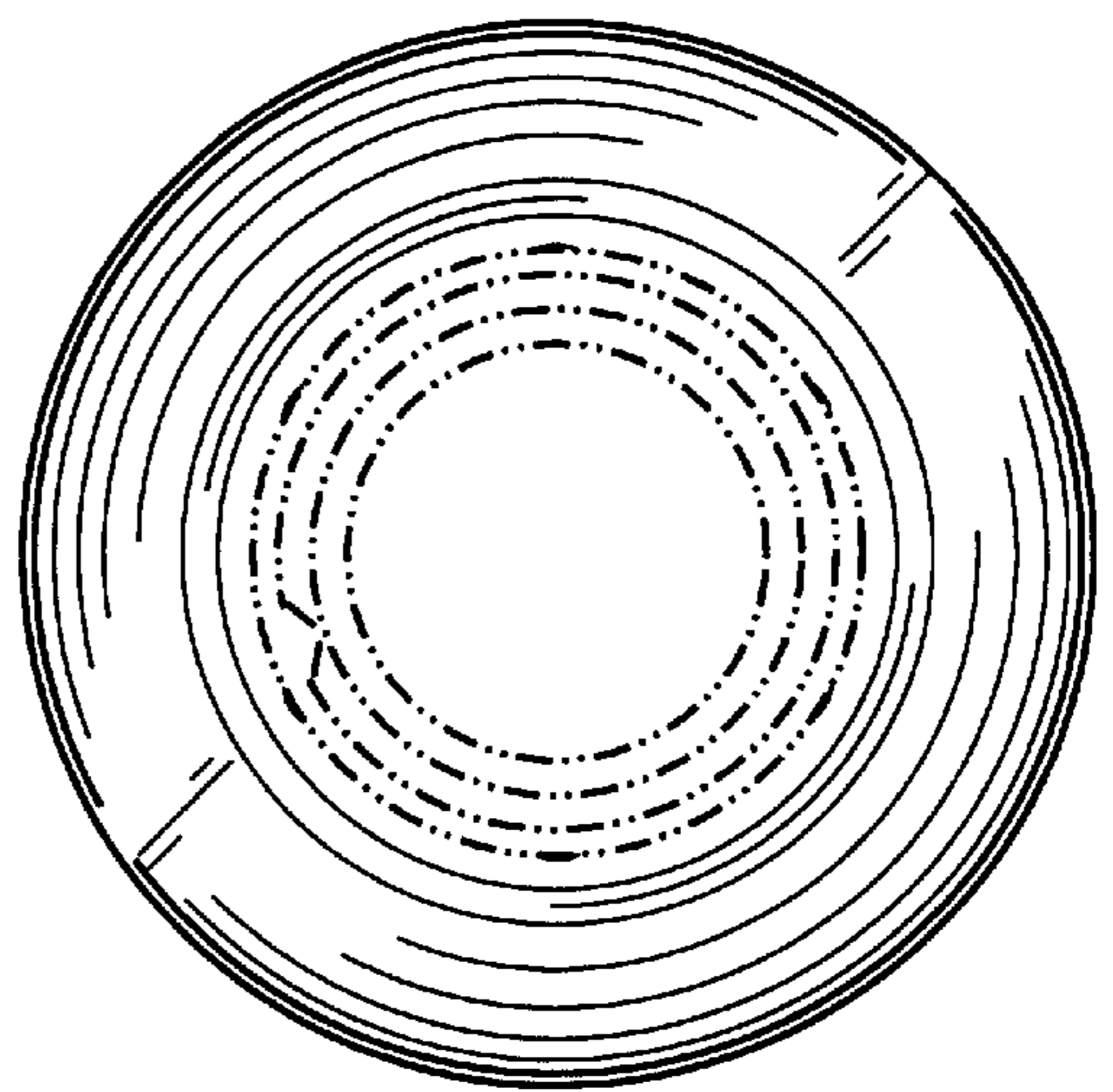


FIG. 2

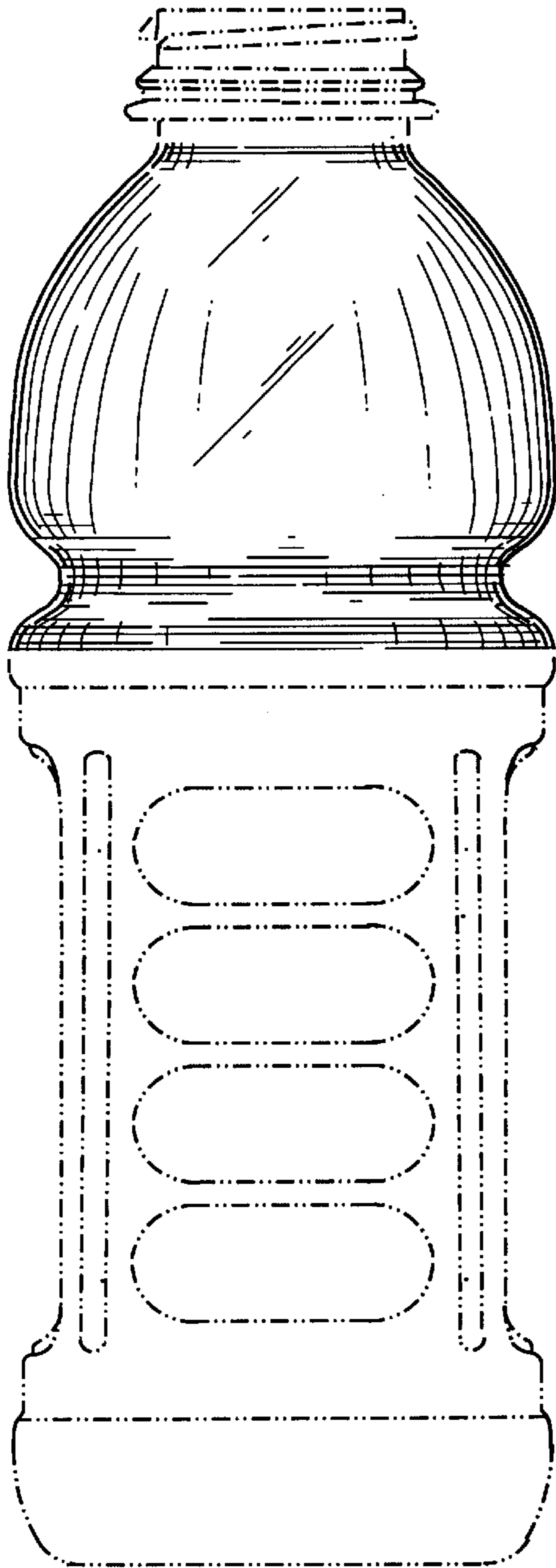


FIG. 3

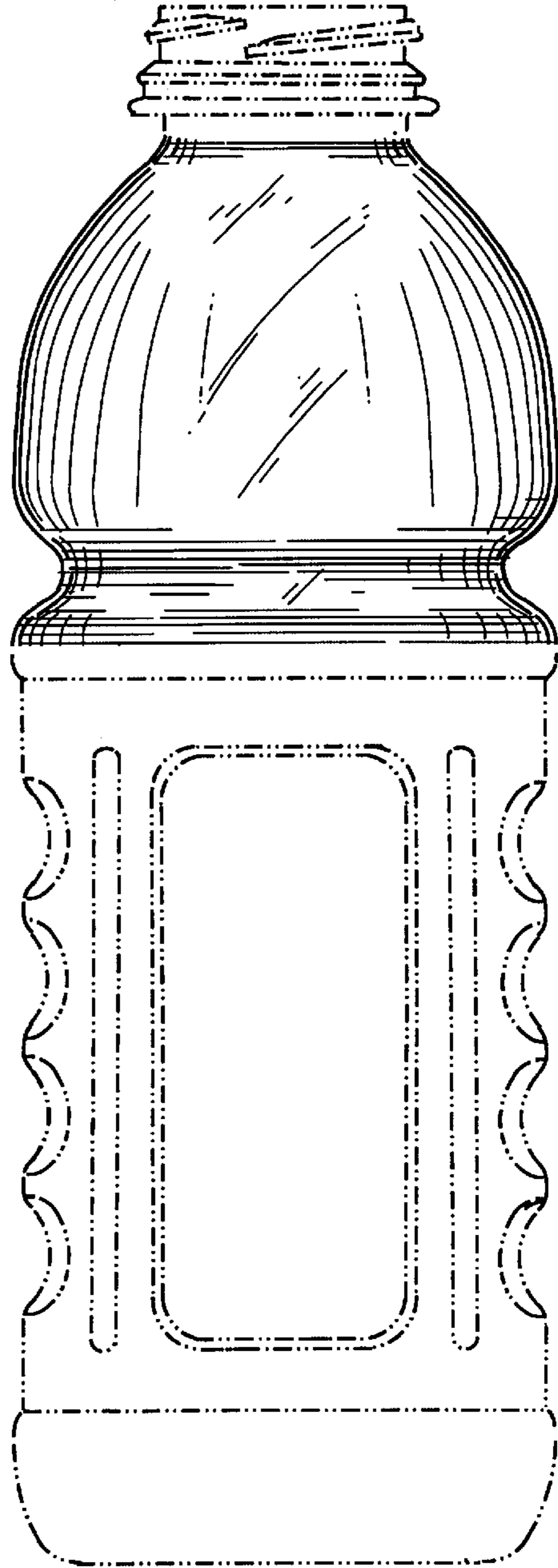


FIG. 5

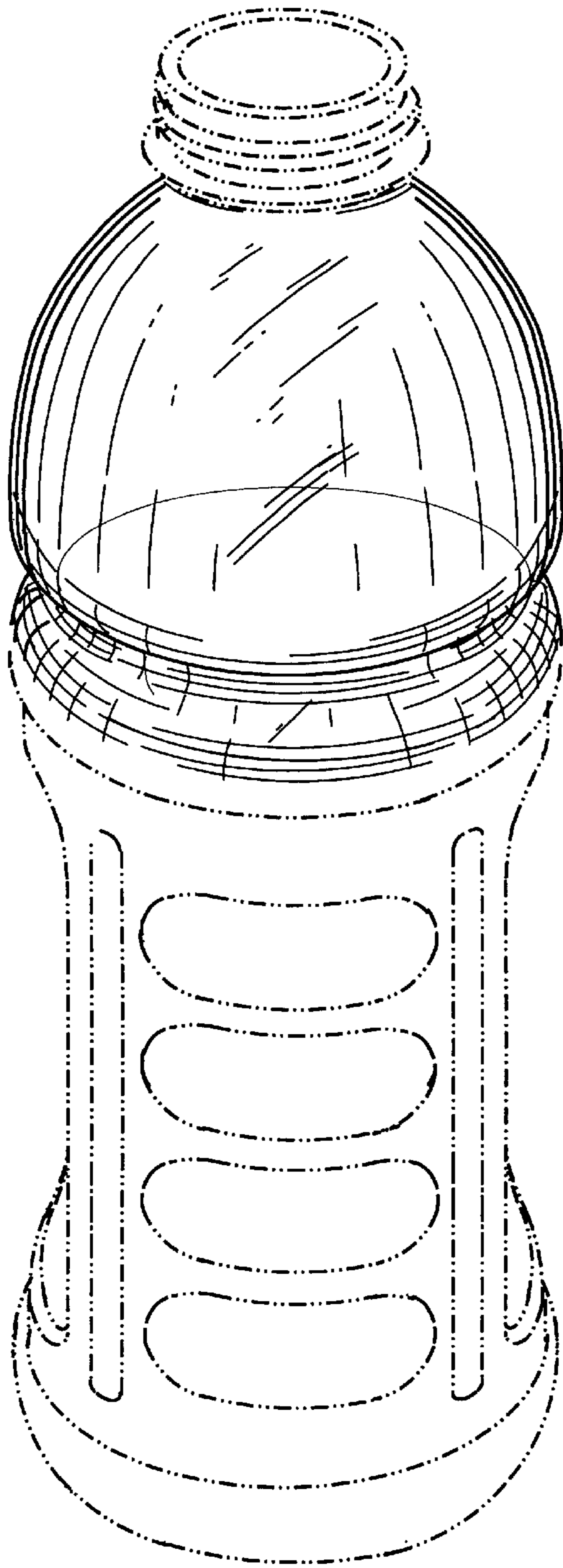


FIG. 8

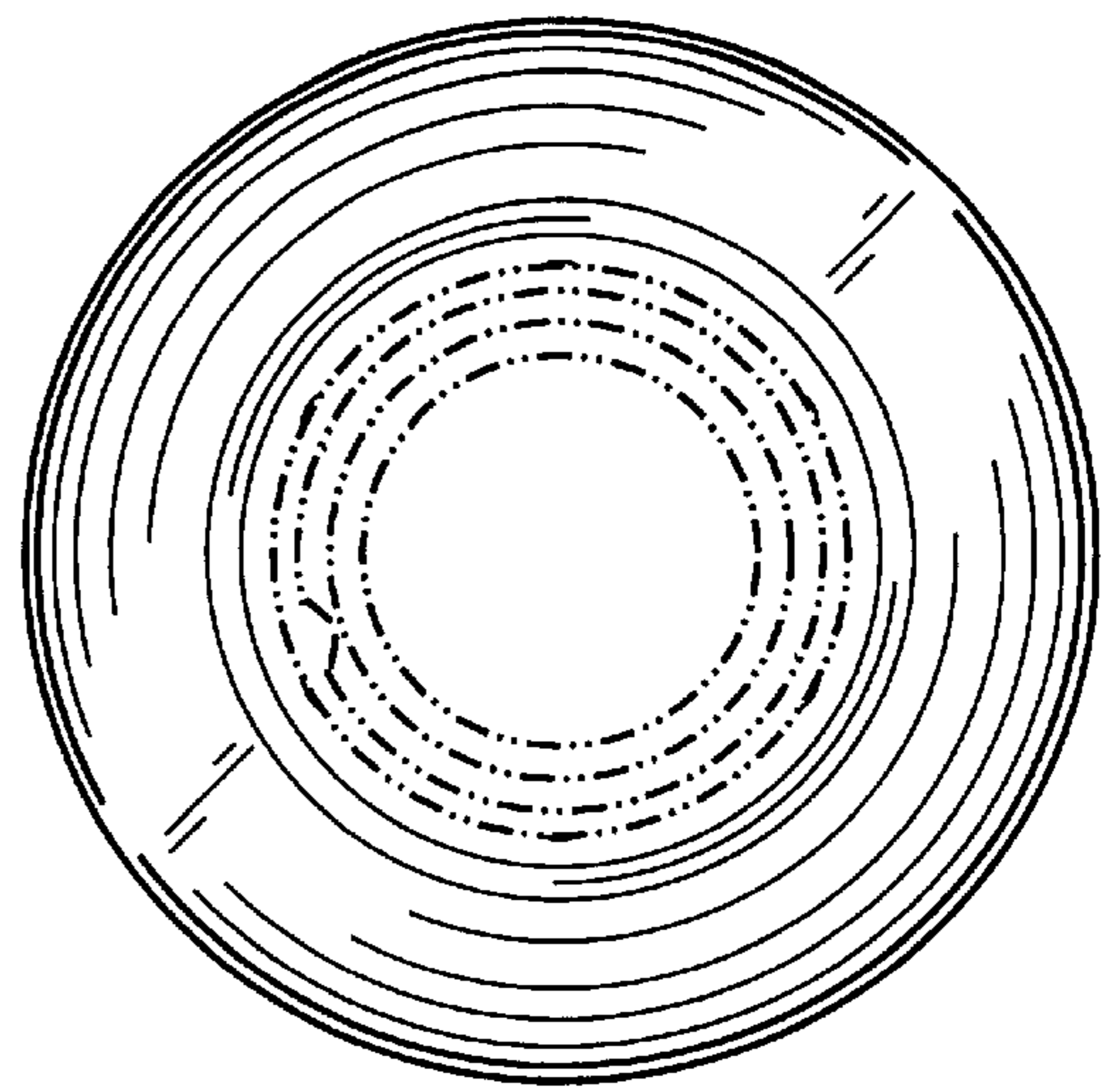


FIG. 6

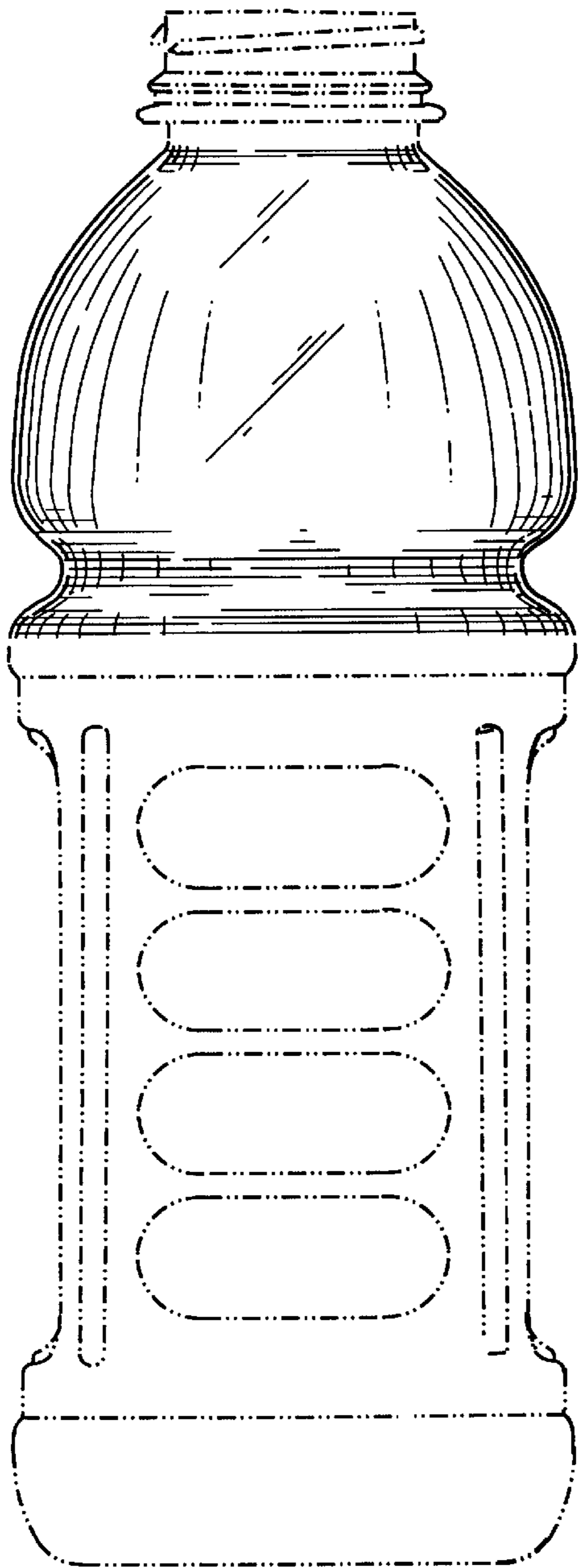


FIG. 7

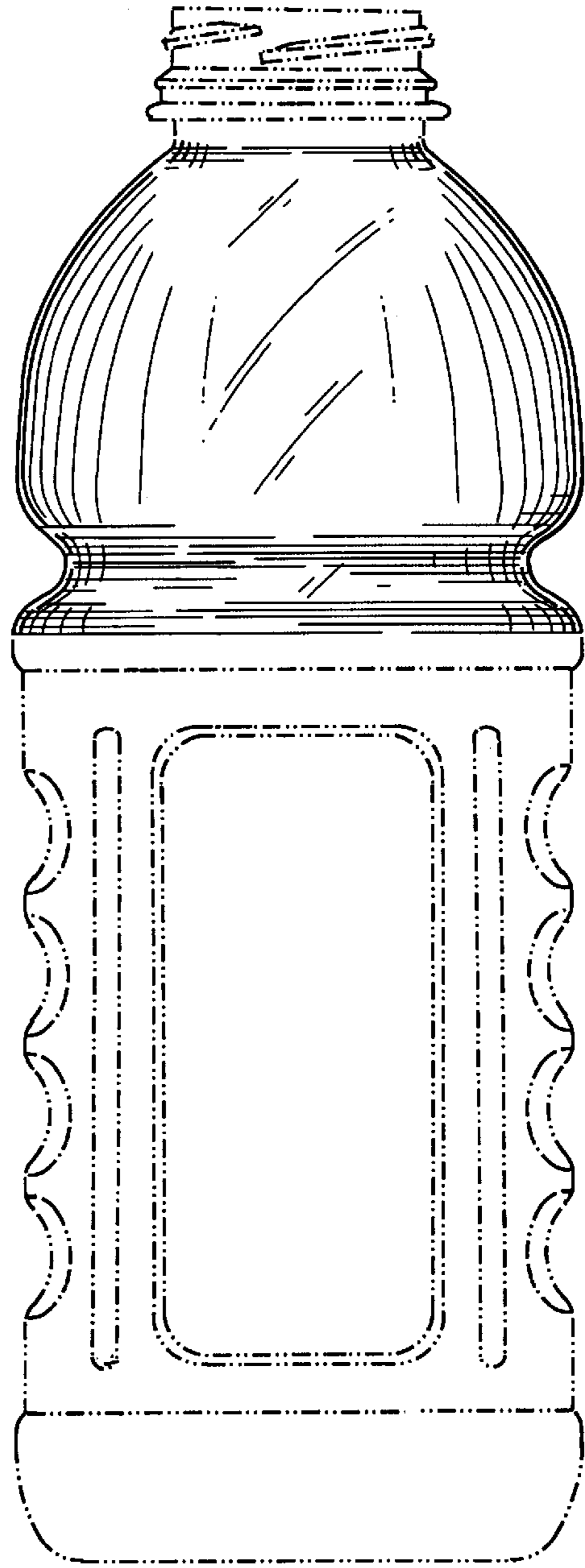


FIG. 9

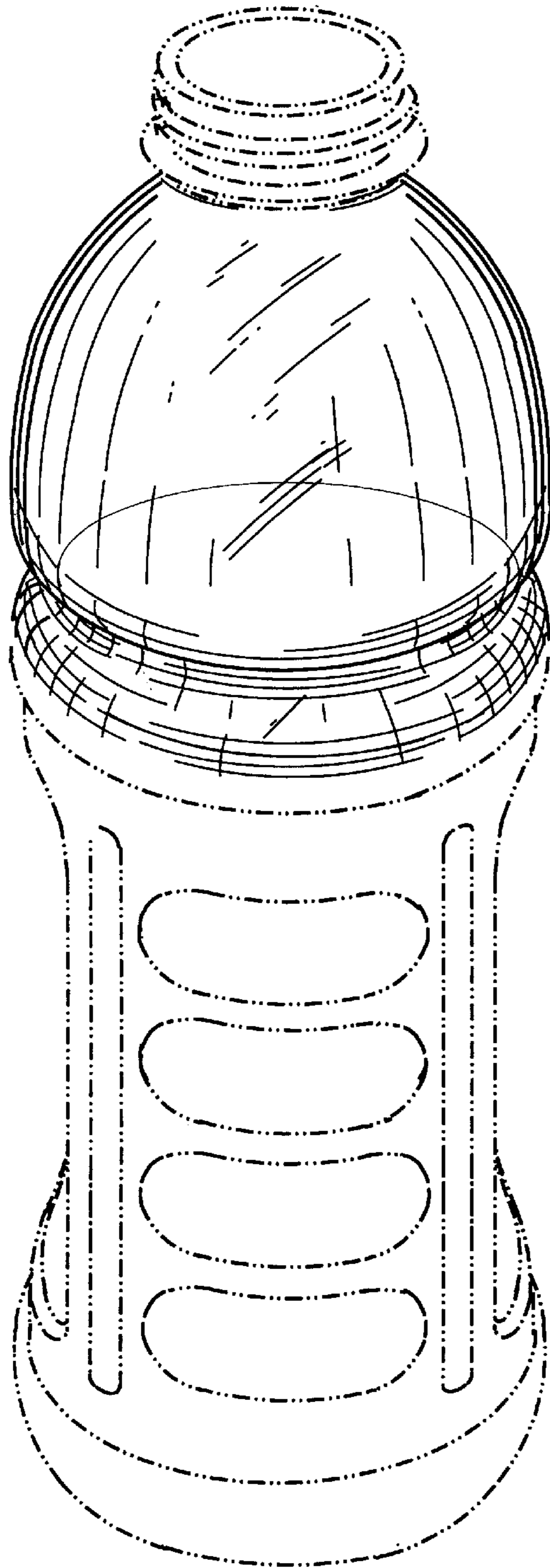


FIG. 12

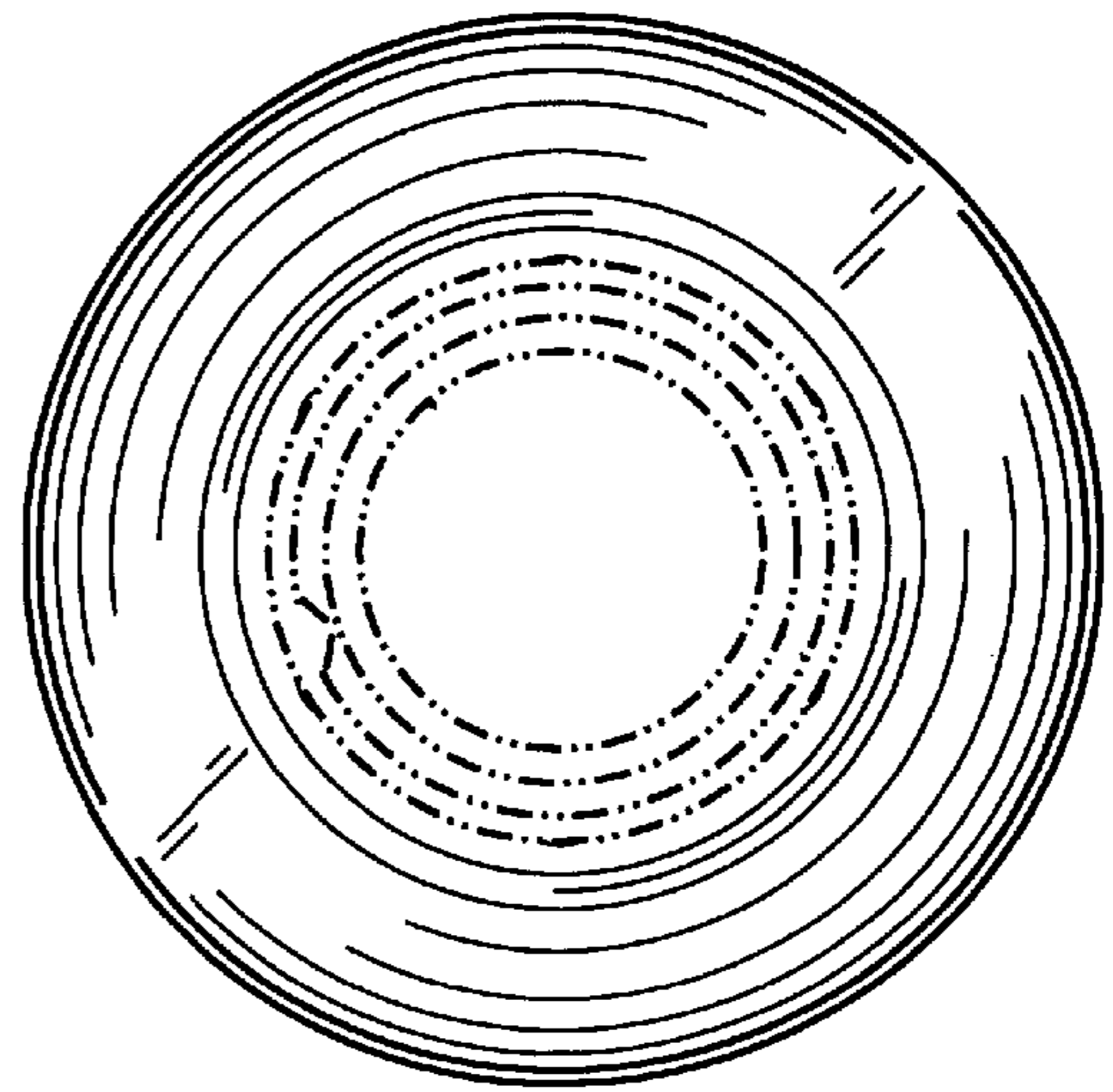


FIG. 10

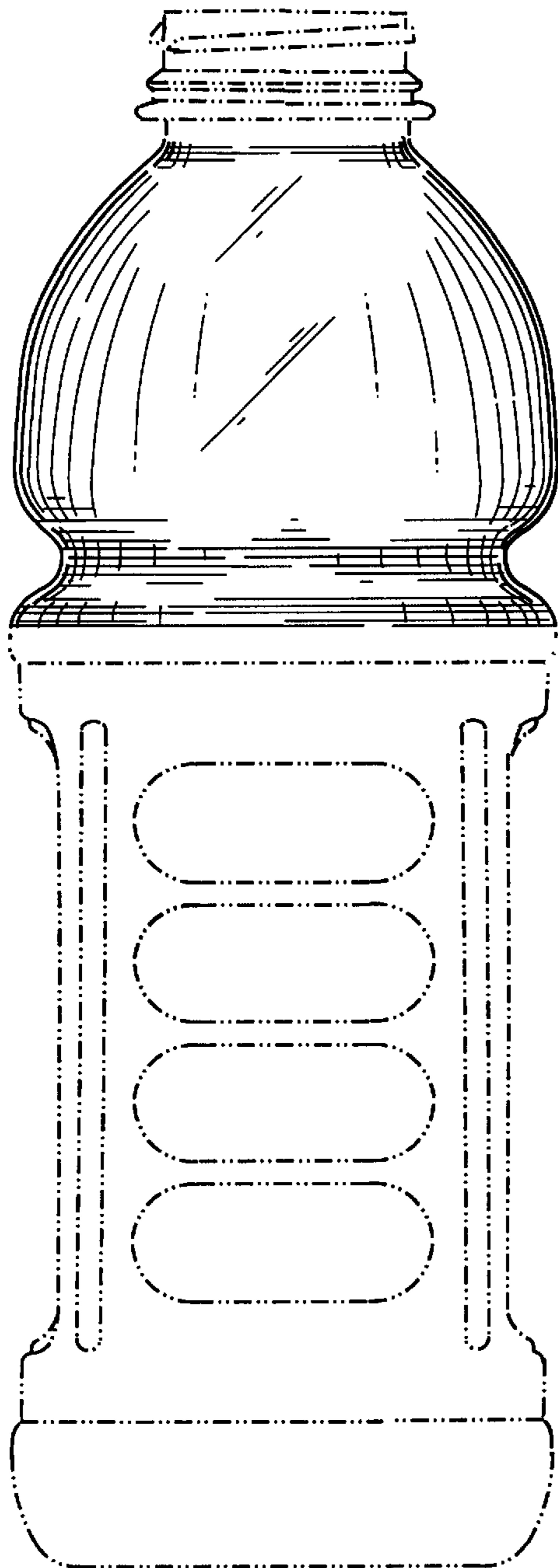


FIG. 11

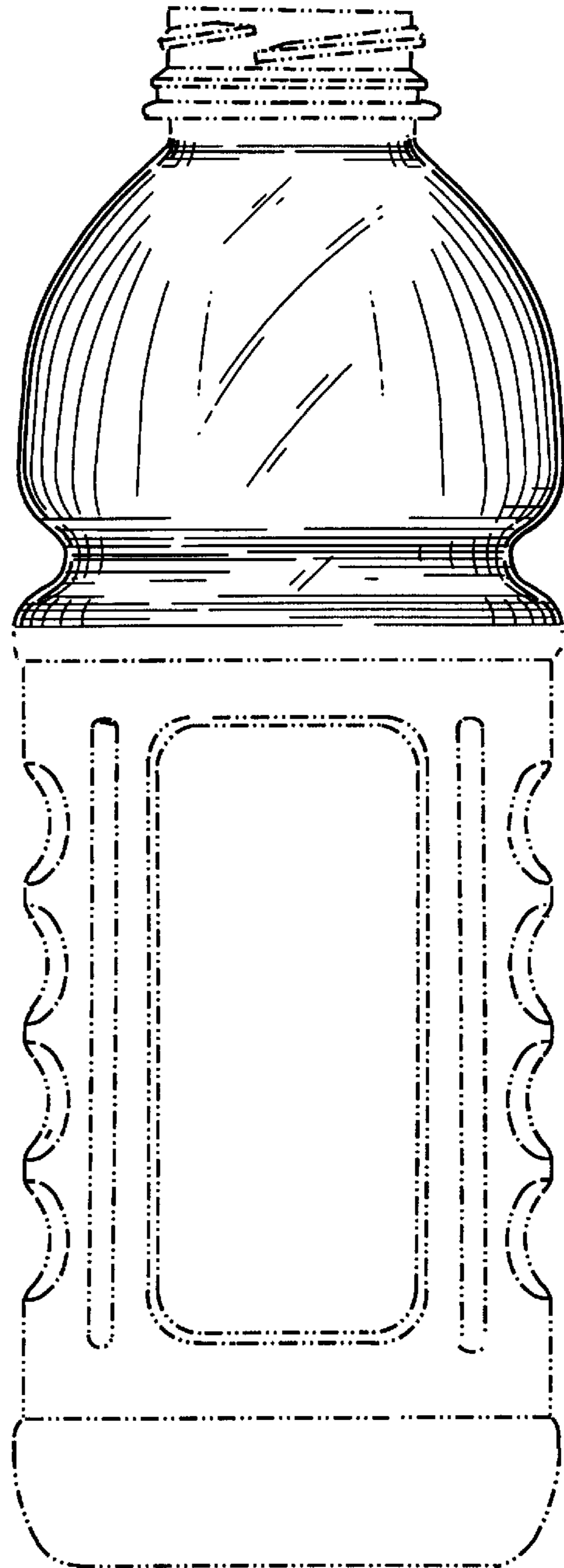


FIG. 13

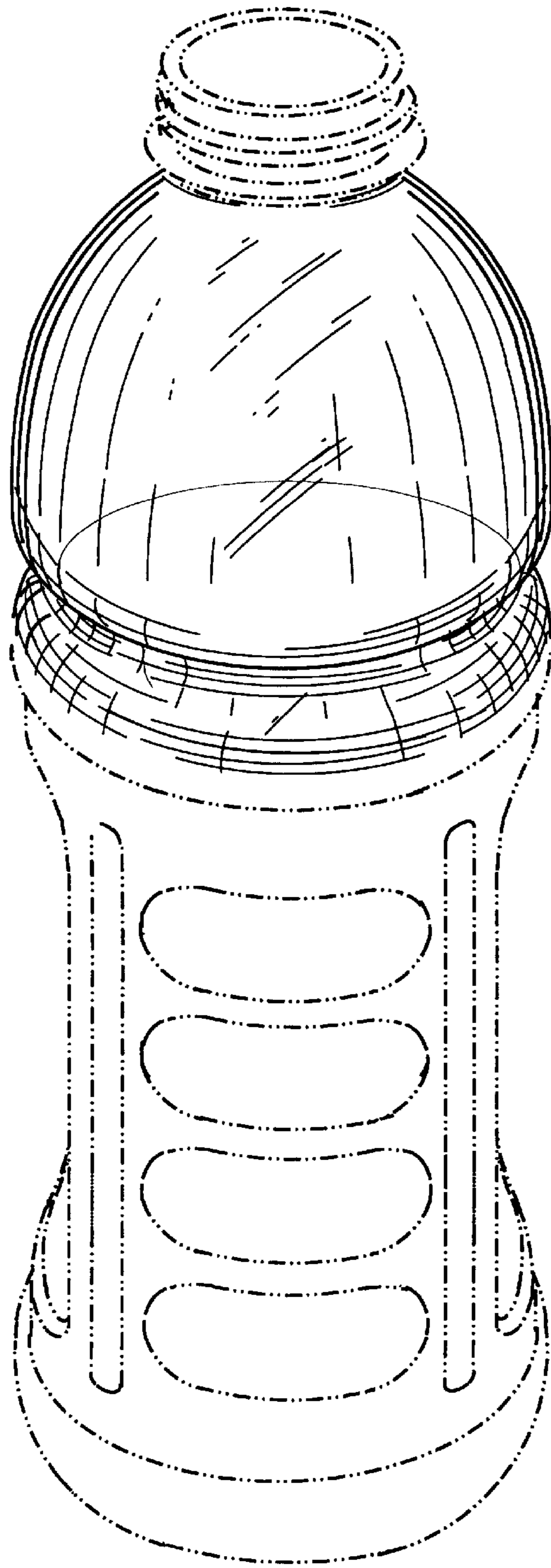


FIG. 16

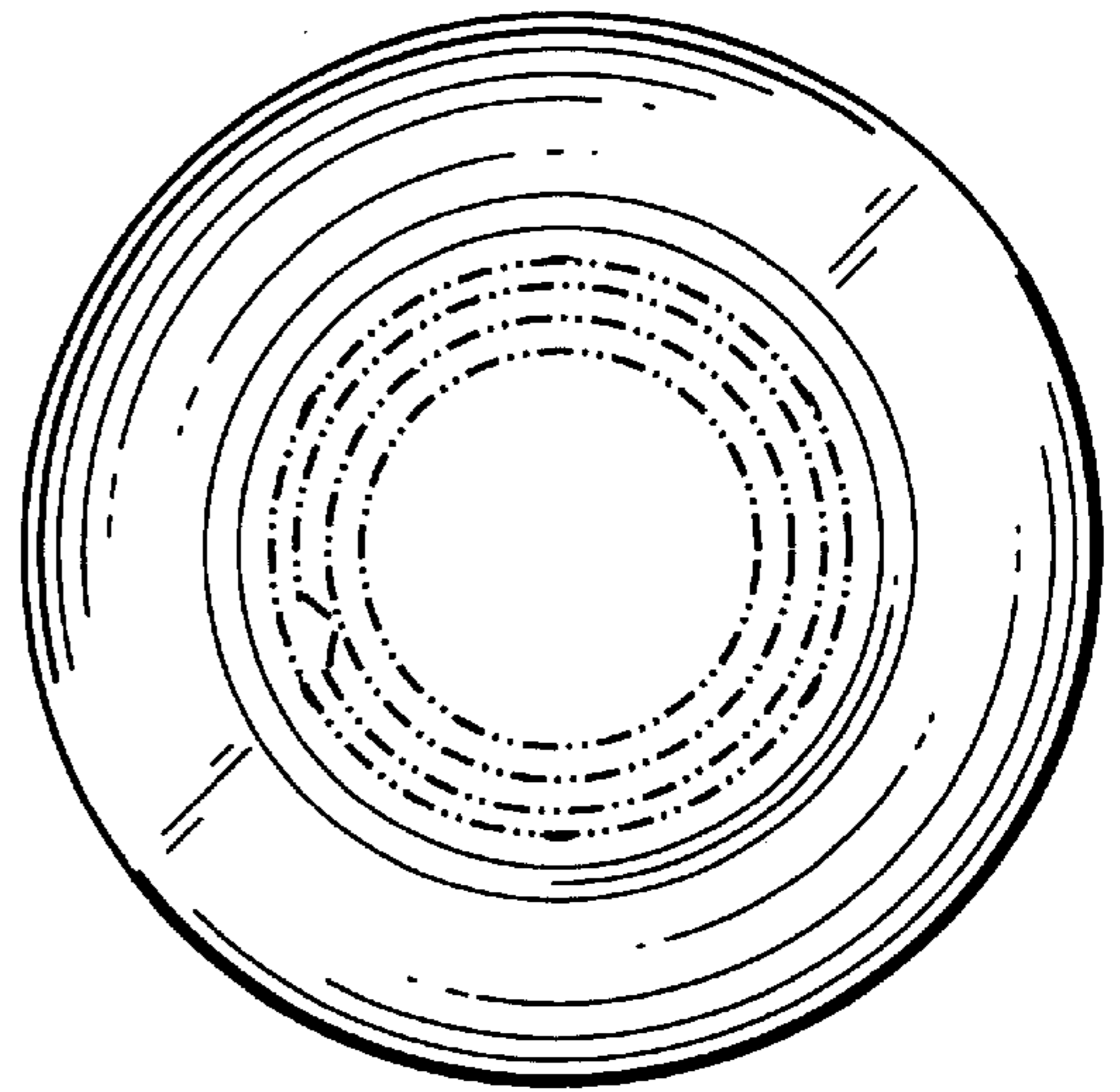


FIG. 14

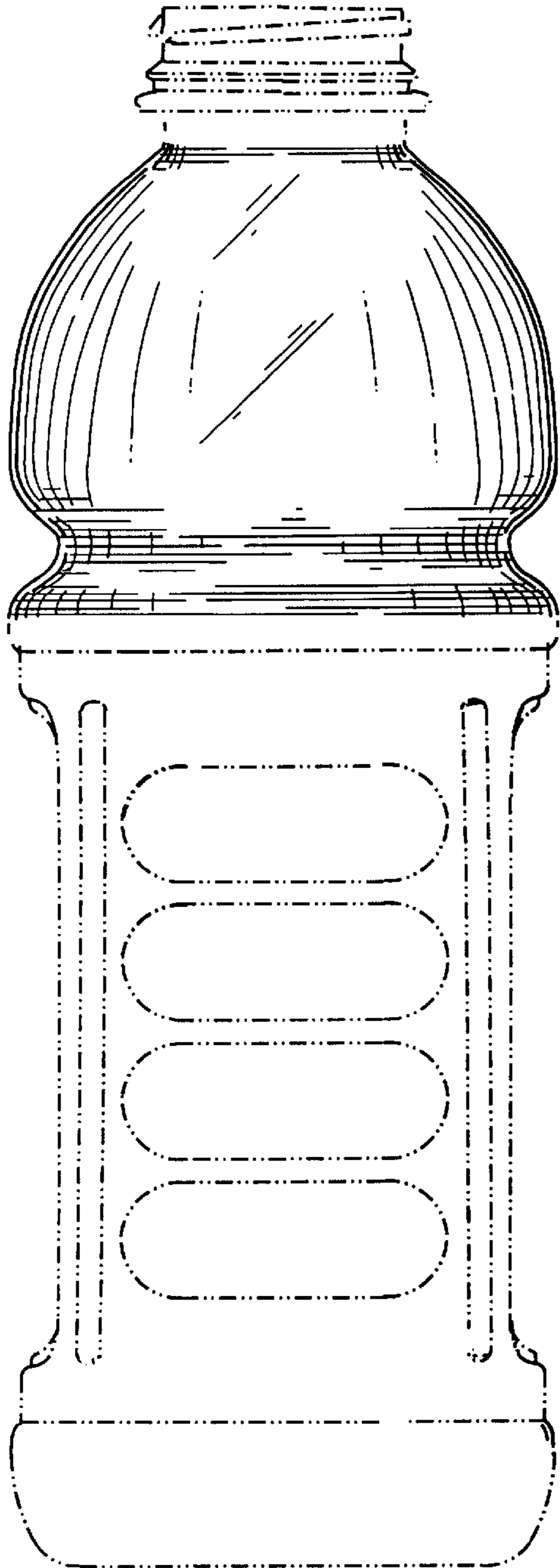


FIG. 15

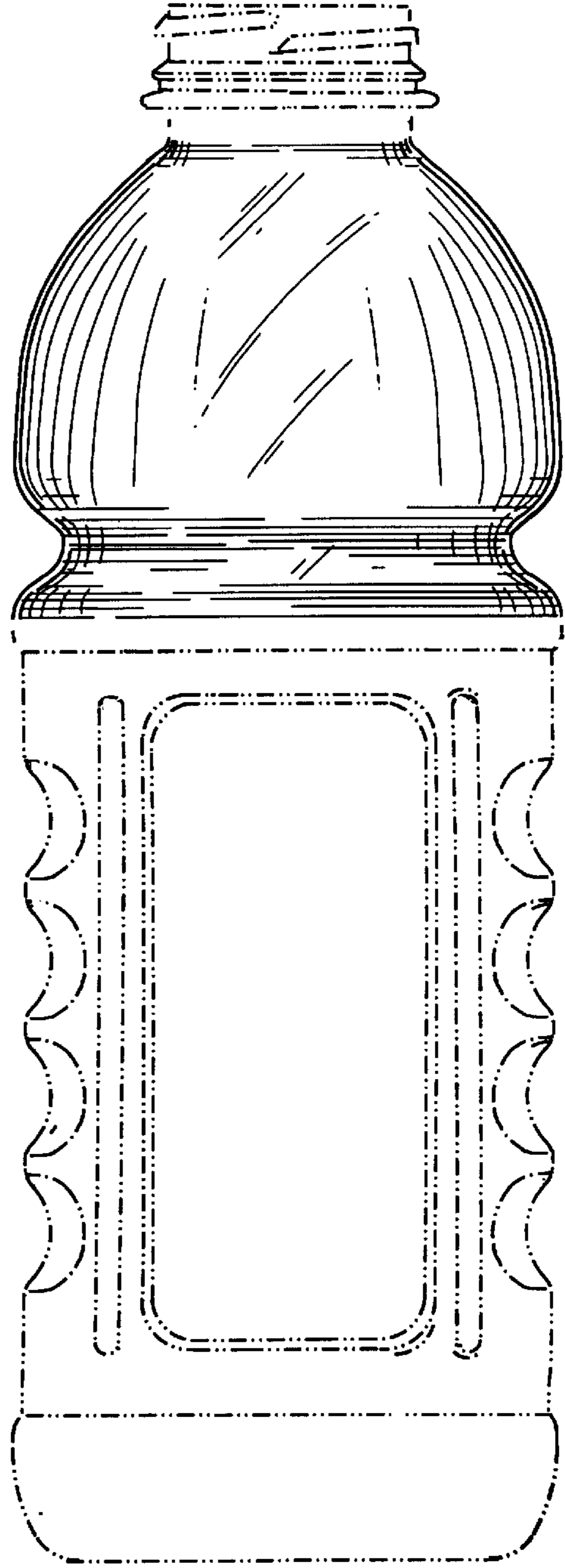


FIG. 17

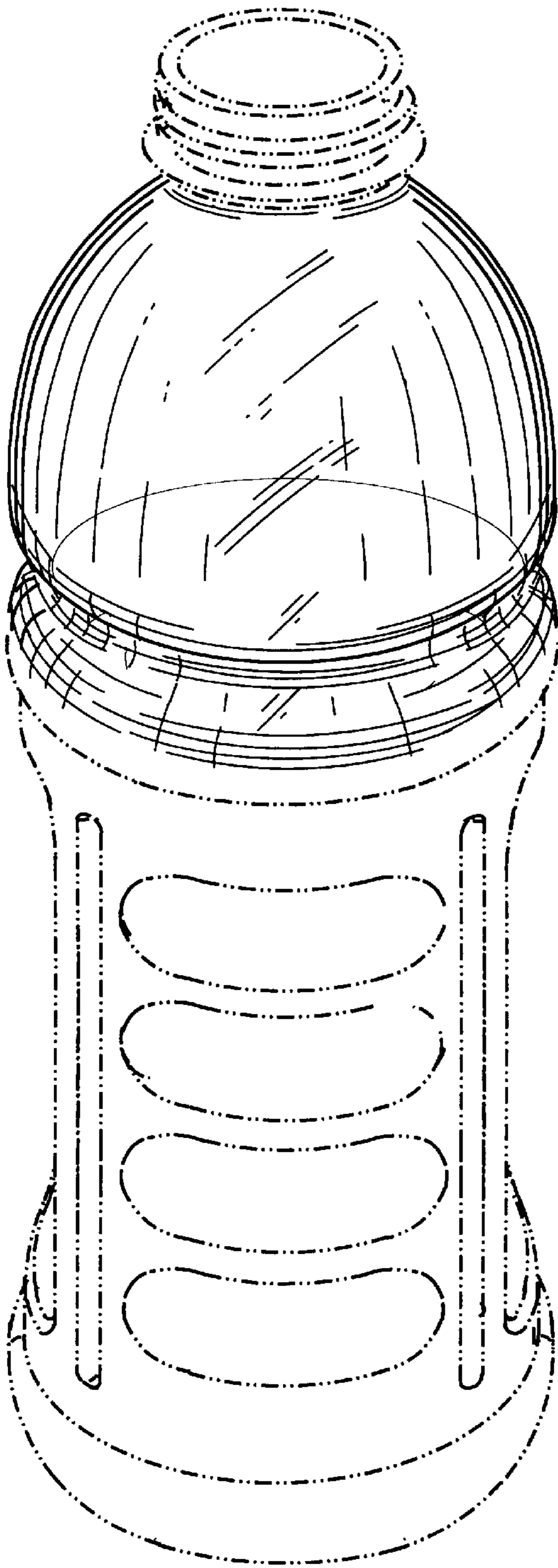


FIG. 20

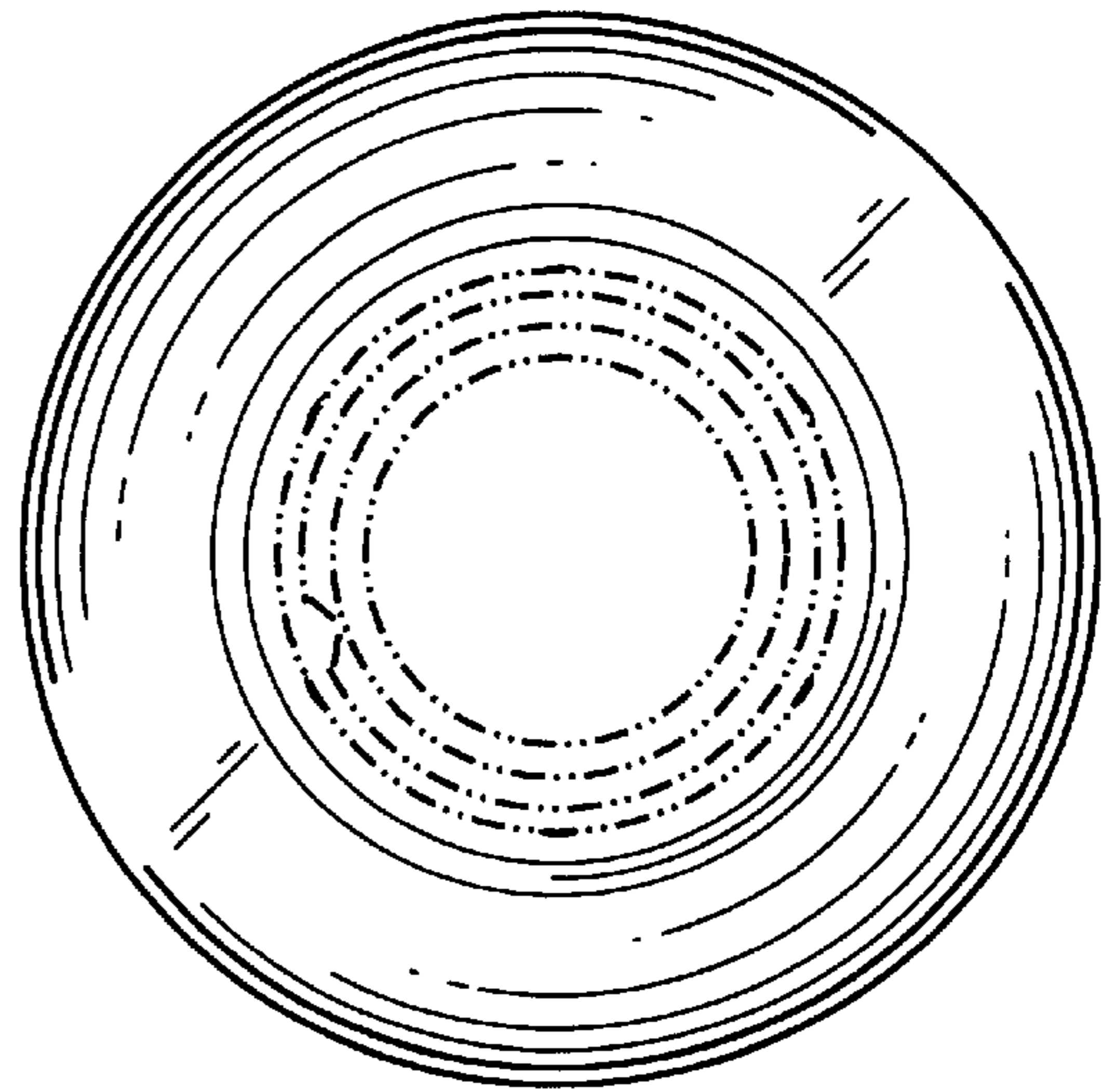


FIG. 18

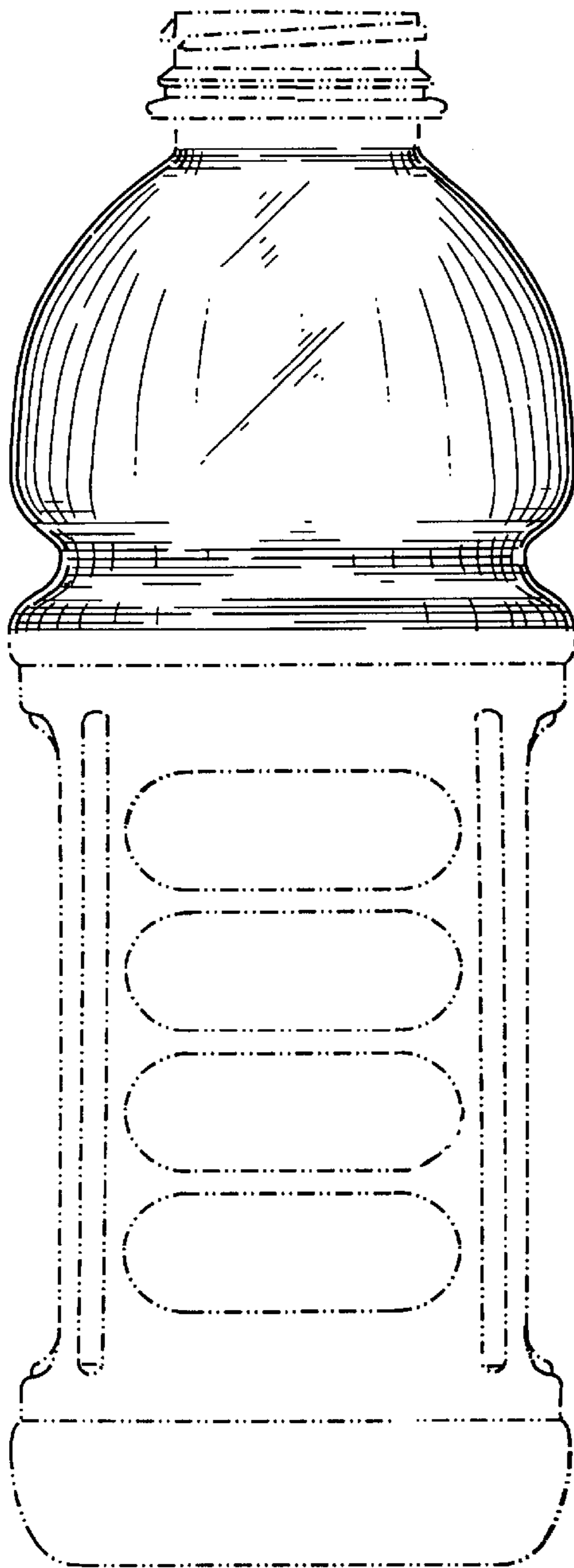


FIG. 19

