



US00D437553S

(12) **United States Design Patent**
Griffin et al.

(10) **Patent No.:** **US D437,553 S**

(45) **Date of Patent:** **** Feb. 13, 2001**

(54) **APPARATUS PACKAGING ENCLOSURE**

(75) **Inventors:** **David C. Griffin; Dale T. Wiersema,**
both of Florence, SC (US)

(73) **Assignee:** **The ESAB Group, Inc.,** Florence, SC
(US)

(**) **Term:** **14 Years**

(21) **Appl. No.:** **29/124,512**

(22) **Filed:** **Jun. 6, 2000**

(51) **LOC (7) Cl.** **09-03**

(52) **U.S. Cl.** **D9/418**

(58) **Field of Search** D9/415, 418, 414,
D9/430, 341; D3/201, 272; 220/2.1, 9.1,
9.4, 23.91, 601, 661, 676; 229/121, 122,
122.2, 87.06, 87.18, 5.5; 206/775-783,
763, 731, 732, 524.3

(56) **References Cited**

U.S. PATENT DOCUMENTS

D. 242,433	*	11/1976	Smith	D9/418
D. 266,226	*	9/1982	Zdarsky et al.	D9/418
D. 295,958	*	5/1988	Pugh	D9/418
D. 306,828	*	3/1990	Schuster	D9/418
1,032,674		7/1912	Holland	.	
2,358,915	*	9/1944	Duthie	229/5.8
3,334,175	*	8/1967	Vincent	220/668
3,392,823	*	7/1968	Green et al.	206/777
3,450,293	*	6/1969	Seda et al.	220/669 X
4,295,446	*	10/1981	Voss	229/122
4,652,170		3/1987	Lew	.	
4,771,908		9/1988	McIntosh	.	

4,884,715		12/1989	Pohlmann	.	
4,905,822	*	3/1990	Bosco	206/777
5,260,853		11/1993	Yap et al.	.	
5,406,050		4/1995	Macomber et al.	.	
5,450,285		9/1995	Schlemmer	.	
5,452,817		9/1995	Taravella et al.	.	
5,593,219		1/1997	Ho	.	
5,638,973		6/1997	Dewey et al.	.	
5,747,773		5/1998	Griffin et al.	.	
5,831,240		11/1998	Katooka et al.	.	
6,120,230	*	8/2000	Gould	220/23.91

* cited by examiner

Primary Examiner—Prabhakar Deshmukh

(74) *Attorney, Agent, or Firm*—Alston & Bird LLP

(57) **CLAIM**

The ornamental design for an apparatus packaging enclosure, as shown and described.

DESCRIPTION

FIG. 1 is a perspective view of one side and taken generally from the left of the apparatus packaging enclosure constituting our new design;

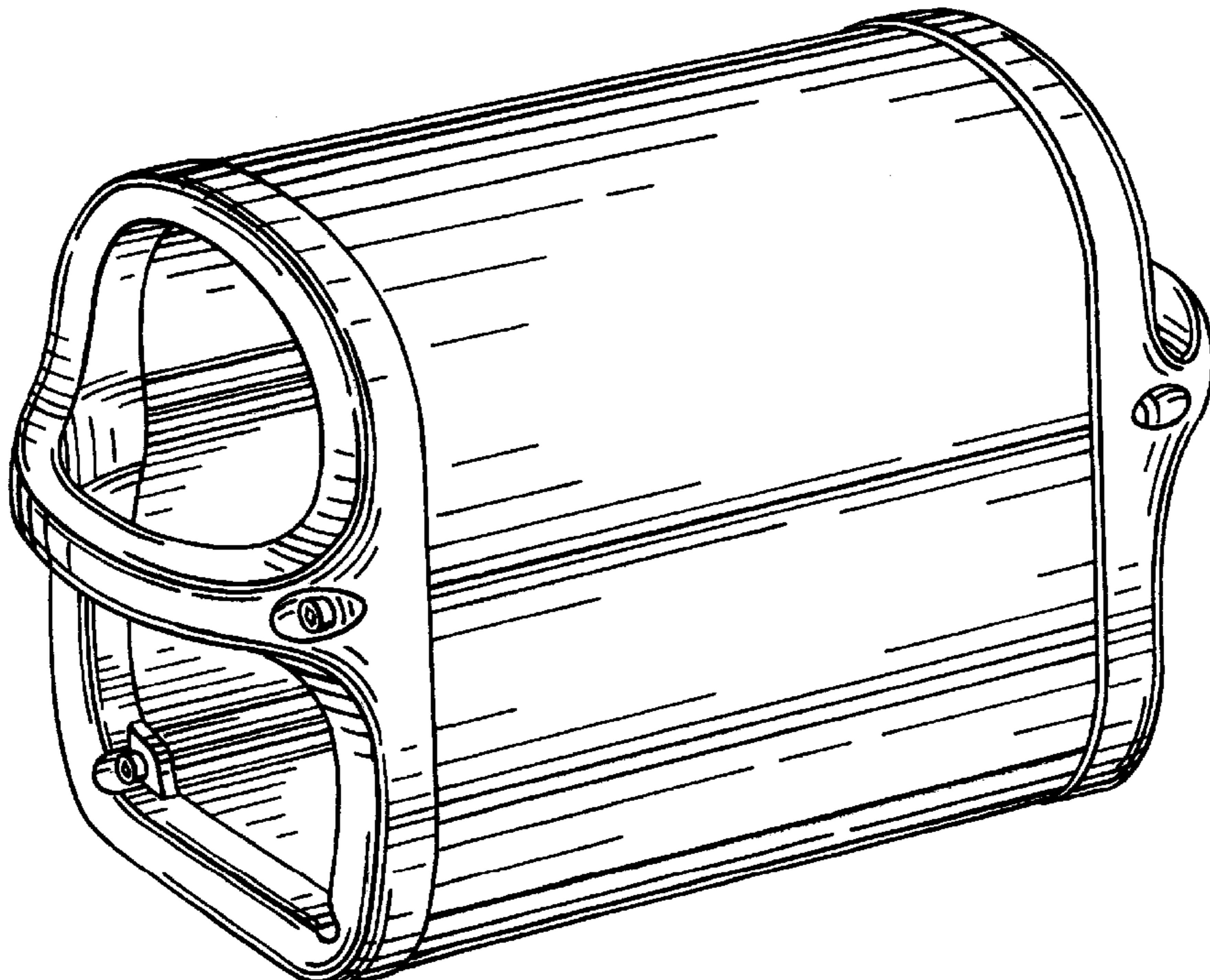
FIG. 2 is a perspective view from the other side and taken generally from the right of the apparatus packaging enclosure of FIG. 1;

FIG. 3 is an end elevational view of the apparatus packaging enclosure of FIG. 1;

FIG. 4 is a side elevational view of the apparatus packaging enclosure of FIG. 1; and,

FIG. 5 is a top plan view of the apparatus packaging enclosure of FIG. 1.

1 Claim, 3 Drawing Sheets



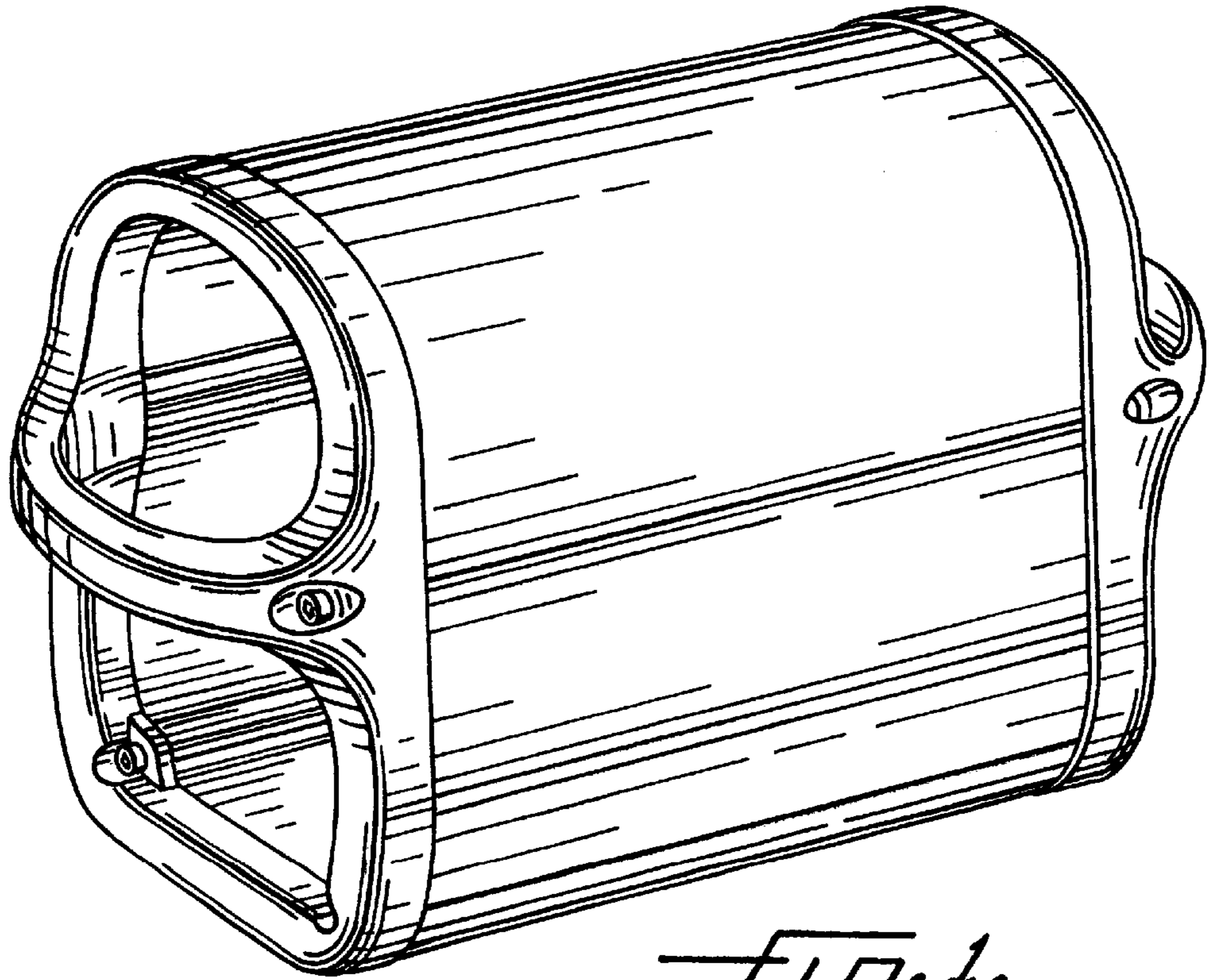


FIG. 1.

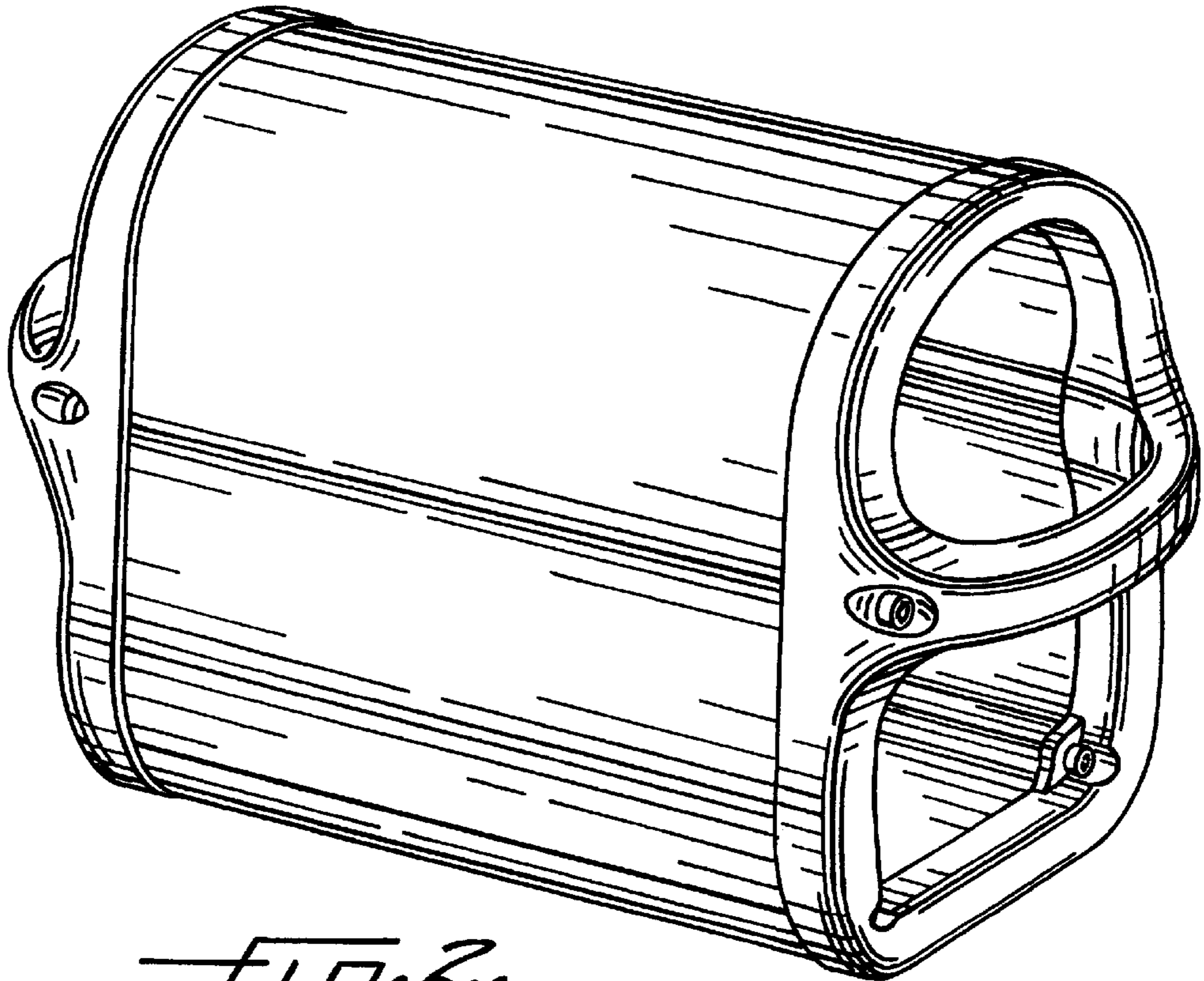


FIG. 2.

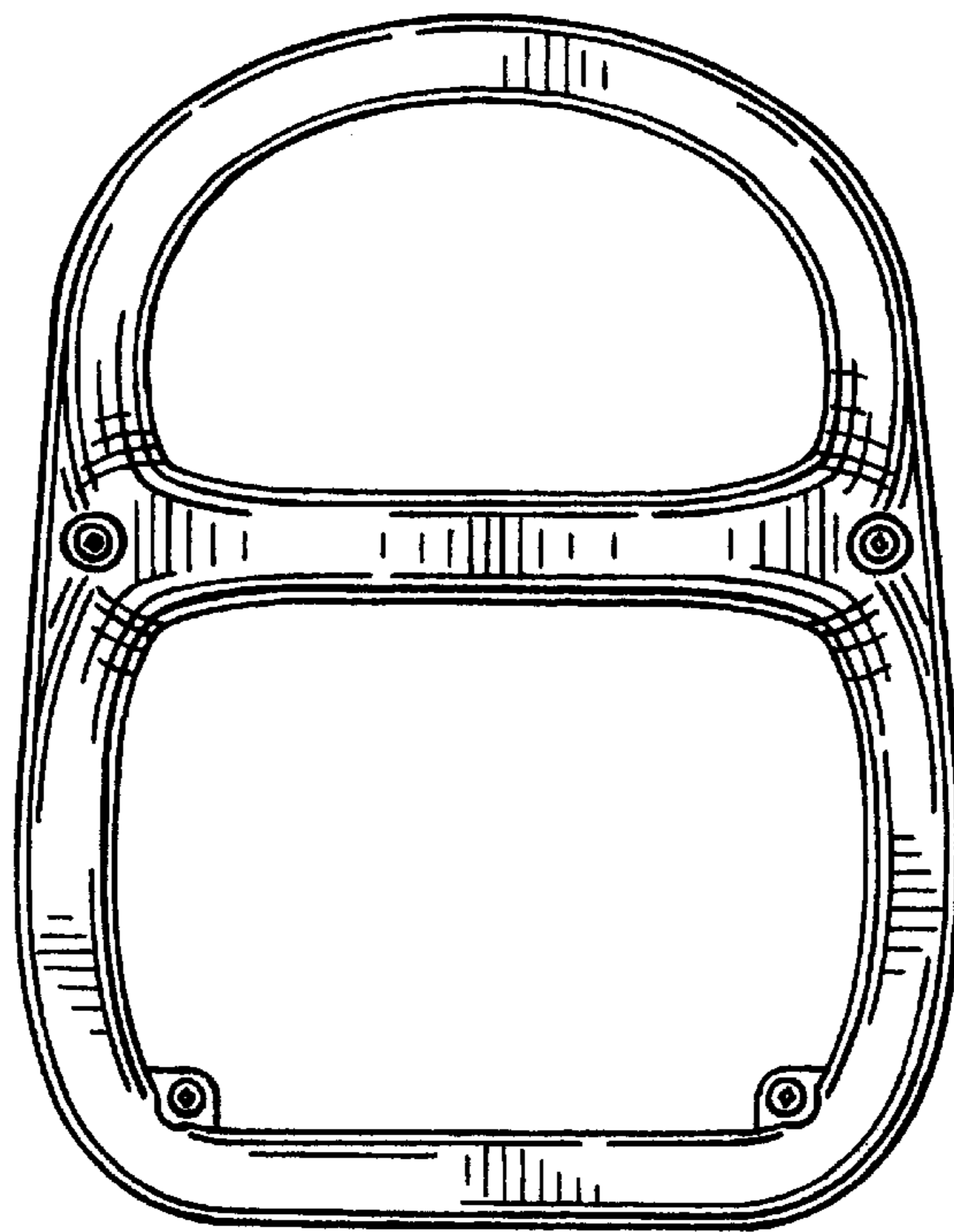


FIG. 3.

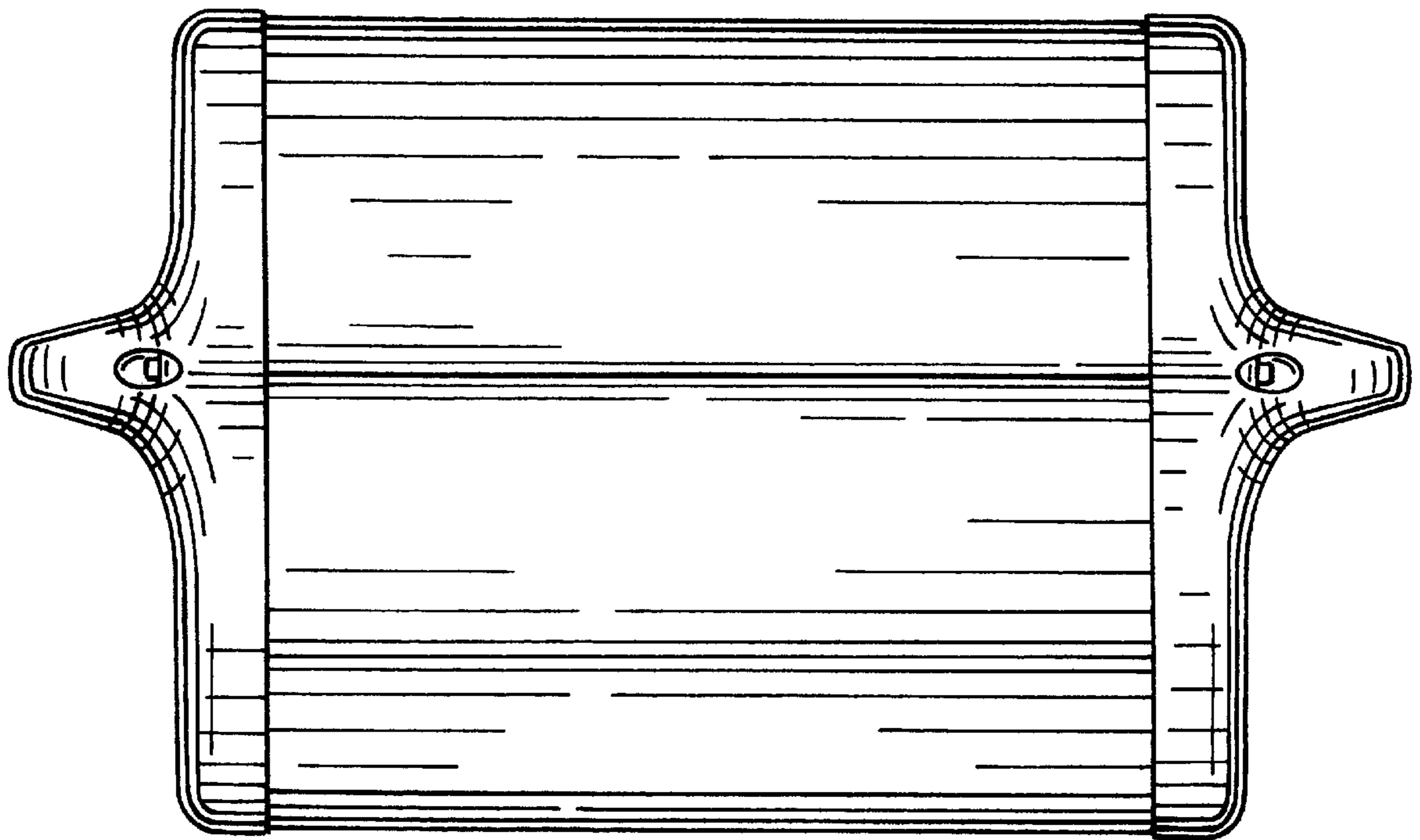
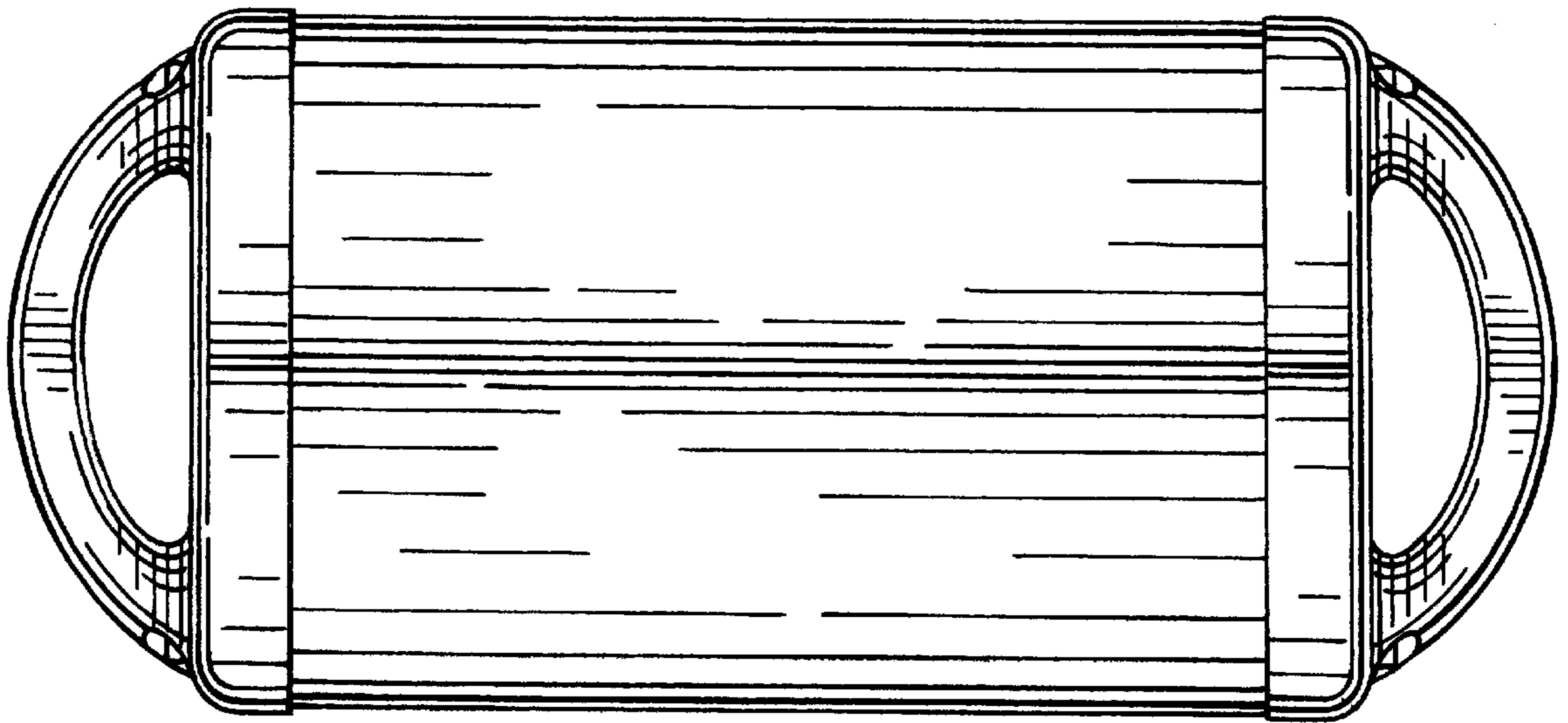


FIG. 4.



— FIG. 5.