



US00D437552S

(12) **United States Design Patent**  
**Findle et al.**

(10) **Patent No.:** **US D437,552 S**  
(45) **Date of Patent:** **\*\* Feb. 13, 2001**

(54) **DISPLAY PACKAGE**

(75) Inventors: **Daniel G. Findle**, White Hall, MD (US); **David A. Evans, Sr.**, Hanover, PA (US); **Dennis L. Chyba**, Baltimore, MD (US); **Nick A. Morrisroe**, Manchester, MD (US); **Hays Lewallen**, Baltimore, MD (US)

(73) Assignee: **Black & Decker Inc.**, Newark, DE (US)

(\*\*) Term: **14 Years**

3,949,872	4/1976	Paudras .
4,005,776	2/1977	Seeley .
4,019,632	4/1977	Greenlee .
4,020,694	5/1977	Mayhew .
4,084,690	4/1978	Pulse .
4,324,331	4/1982	Ignasiak .
4,449,629	5/1984	Barrieau .
4,499,353	2/1985	Shields .
4,588,082	5/1986	Ridings .
4,619,364	10/1986	Czopor, Jr. .
4,650,074 *	3/1987	Vosbikian ..... 206/495 X

(List continued on next page.)

**FOREIGN PATENT DOCUMENTS**

(21) Appl. No.: **29/119,019**

820419	11/1951	(DE) .
559 443 B1	8/1993	(EP) .

(22) Filed: **Feb. 21, 2000**

**OTHER PUBLICATIONS**

**Related U.S. Application Data**

(63) Continuation of application No. 29/104,325, filed on May 3, 1999, now abandoned.

(51) **LOC (7) Cl.** ..... **09-03**

(52) **U.S. Cl.** ..... **D9/415**

(58) **Field of Search** ..... D9/415, 414, 418, D9/455, 457; D3/905, 328; 206/461-471, 806, 495, 349, 379, 476-480; D8/7, 321, 349

Techform Inc. Nov. 1982.  
Modern Packaging Catalog, p. 300—Jan. 1941 (no date).

*Primary Examiner*—Prabhakar Deshmukh  
(74) *Attorney, Agent, or Firm*—Harness, Dickey & Pierce, P.L.C.

(57) **CLAIM**

The ornamental design for a display package, as shown and described.

(56) **References Cited**

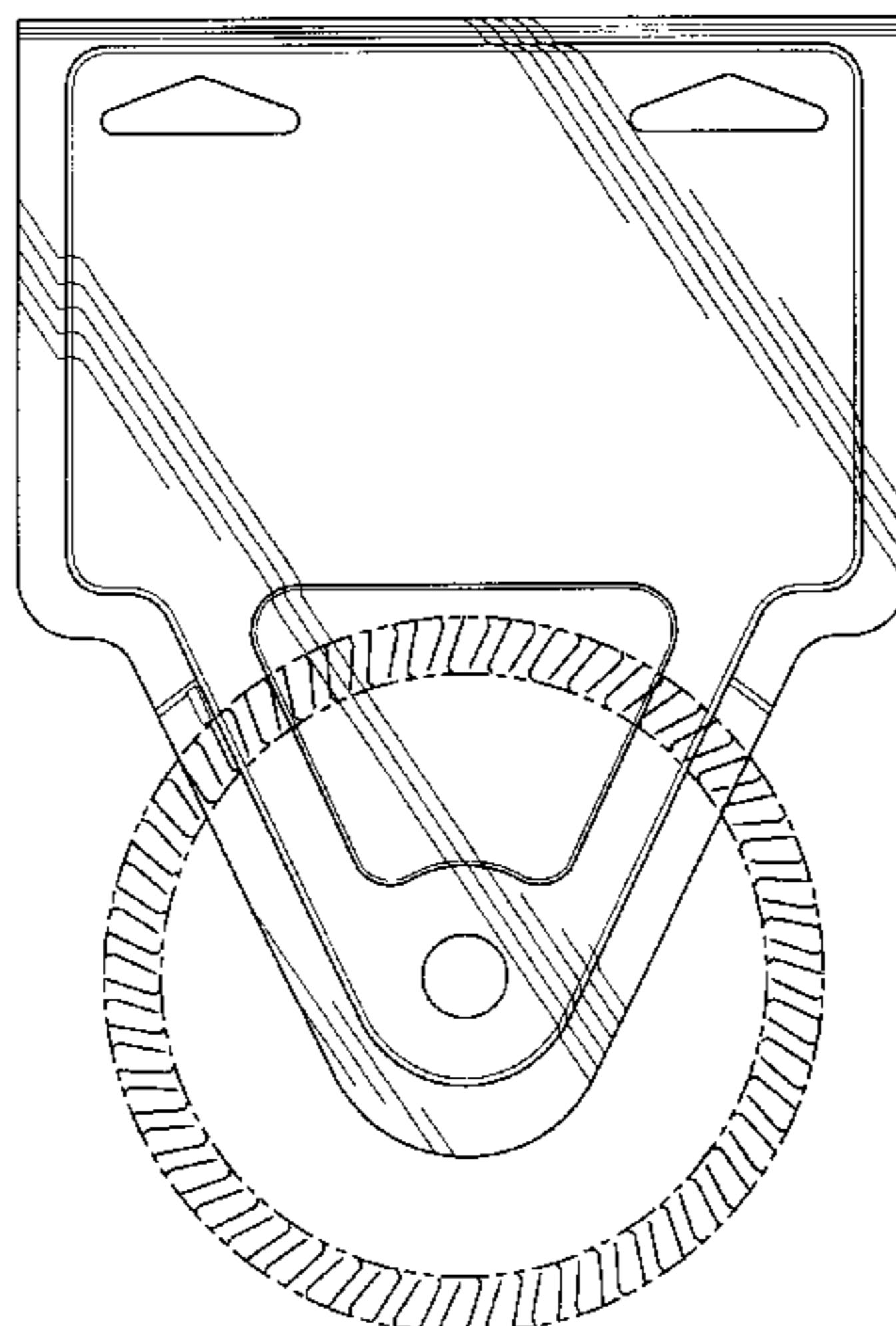
**U.S. PATENT DOCUMENTS**

D. 243,443 *	2/1977	Hayashi .....	D9/415
D. 284,168 *	6/1986	Ewey .....	D9/415
D. 349,239	8/1994	Steenland .	
D. 366,829	2/1996	Chervenak et al. .	
D. 376,312	12/1996	Cahn et al. .	
1,500,136	7/1924	Knowlton .	
1,585,846	5/1926	Frisbie .	
2,950,004	8/1960	Acomb .	
3,109,539	11/1963	Turoff .	
3,534,358	10/1970	Stern .	
3,776,375	12/1973	Rohdin .	
3,825,112	7/1974	Shumaker et al. .	
3,899,100	8/1975	Rigaud .	

**DESCRIPTION**

FIG. 1 is a front view of the display package in its closed condition;  
FIG. 2 is a rear view thereof;  
FIG. 3 is a top view thereof;  
FIG. 4 is a bottom view thereof;  
FIG. 5 is a left side view thereof;  
FIG. 6 is a right side view thereof; and,  
FIG. 7 is a view of the display package in its open condition. The broken line showing of a saw blade or other such disk is for illustrative purposes only and forms no part of the claimed design.

**1 Claim, 3 Drawing Sheets**



# US D437,552 S

Page 2

---

## U.S. PATENT DOCUMENTS

4,687,129	8/1987	Cugley .	5,425,519 *	6/1995	Budert .....	206/349
4,702,373	10/1987	Meade .	5,435,447	7/1995	Weatherford et al. .	
4,729,473 *	3/1988	Kulzer et al. ....	5,456,057	10/1995	Bannon et al. .	
4,877,130	10/1989	Matuz .	5,484,056	1/1996	Wood .	
4,903,829	2/1990	Clemens .	5,586,657	12/1996	Ward et al. .	
4,921,096	5/1990	McFarlane .	5,595,295	1/1997	Lin .	
5,048,676 *	9/1991	Borgis et al. ....	5,601,188	2/1997	Dressen et al. .	
5,133,454	7/1992	Hammer .	5,713,463	2/1998	Lakoski et al. .	
5,209,354	5/1993	Thornhill et al. .	5,740,911	4/1998	Chou .	
5,238,107	8/1993	Kownacki .	5,823,350	10/1998	Ward .	
5,279,417	1/1994	Seaton .	5,871,100	2/1999	Ward .	
5,279,420	1/1994	Rodgers .	5,878,886	3/1999	Marshall .	
5,322,162	6/1994	Melk .				

\* cited by examiner

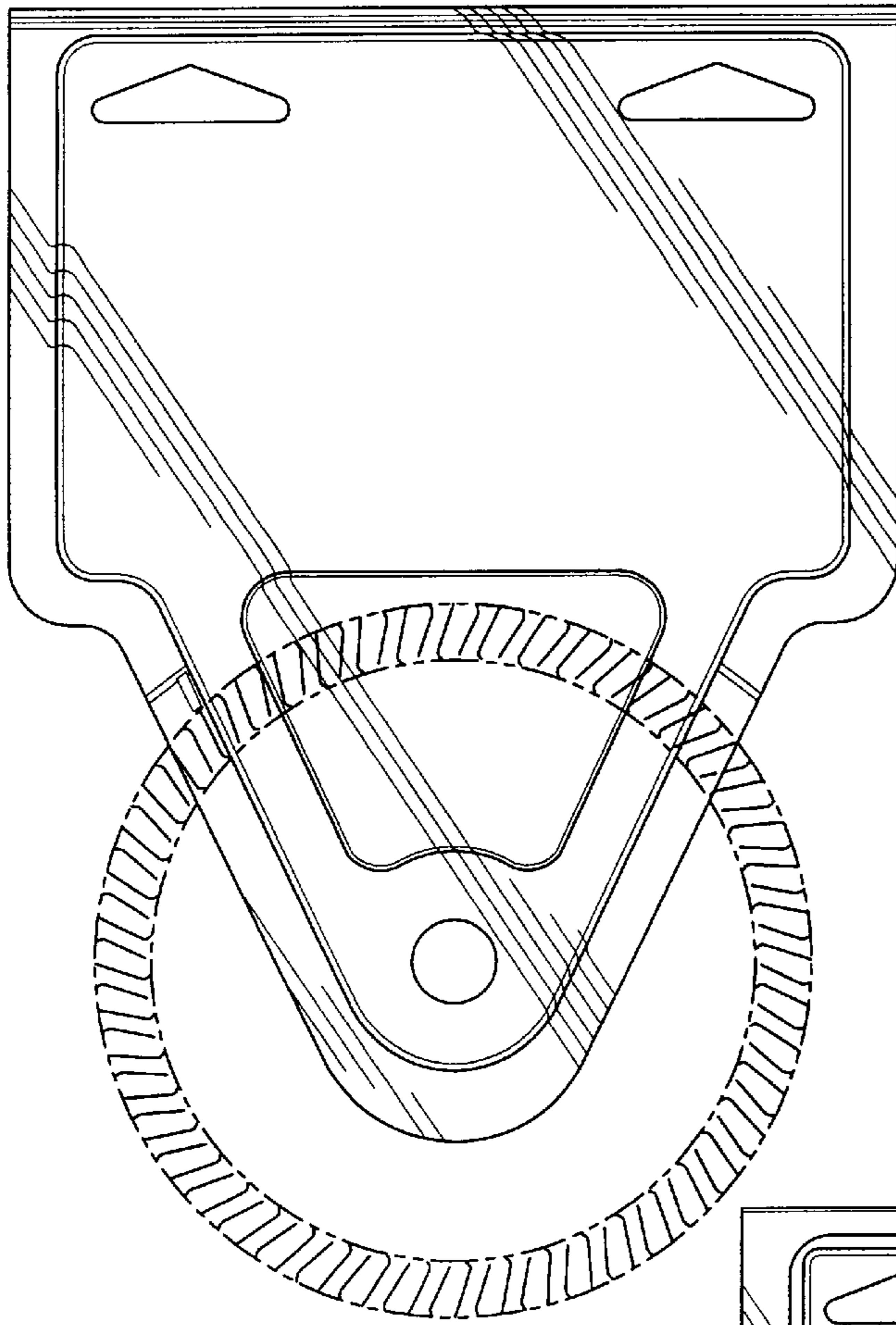


Fig-1

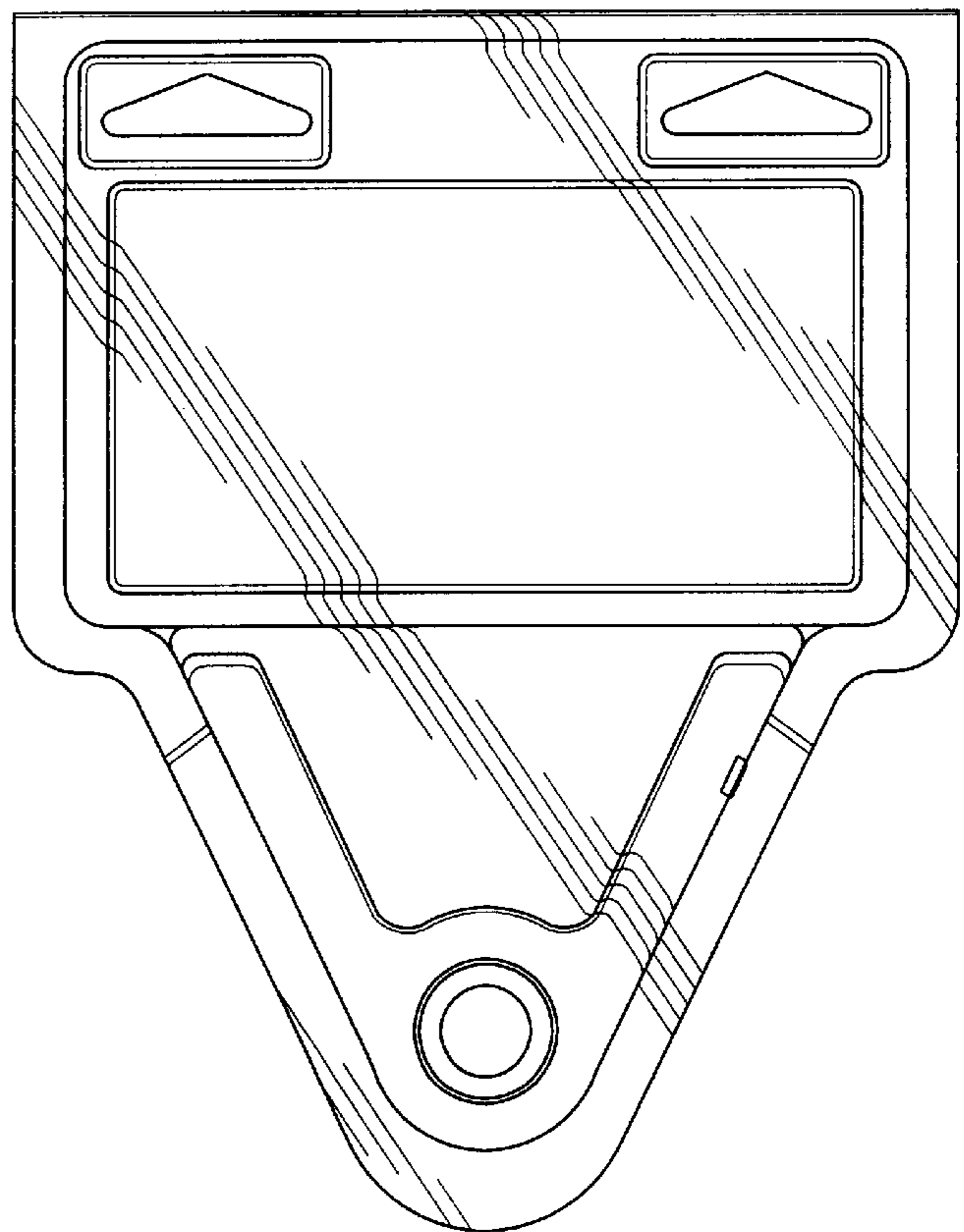


Fig-2



Fig-3

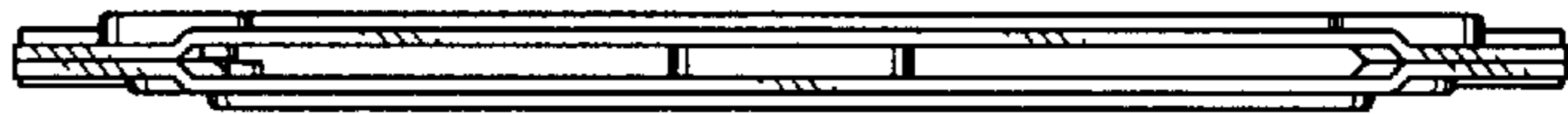


Fig-4



Fig-5



Fig-6



Fig-7

