



US00D437547S

(12) **United States Design Patent**
Moubayed et al.

(10) **Patent No.:** **US D437,547 S**

(45) **Date of Patent:** **** Feb. 13, 2001**

(54) **COMBINED FLOW STOP AND TUBING GUIDE**

5,842,841 12/1998 Danby et al. 417/474

* cited by examiner

(76) Inventors: **Ahmad-Maher Moubayed**, 28245 San Marcos, Mission Viejo, CA (US) 92692;
Oscar Hyman, 16019 Virginia Point Rd., Poulsbo, WA (US) 98370

Primary Examiner—James Gandy
Assistant Examiner—Reid Hecker
(74) *Attorney, Agent, or Firm*—Stetina Brunda Garred & Bruccker

(**) Term: **14 Years**

(57) **CLAIM**

(21) Appl. No.: **29/103,992**

The ornamental design for a combined flow stop and tubing guide, as shown and described.

(22) Filed: **Apr. 26, 1999**

DESCRIPTION

(51) **LOC (7) Cl.** **08-08**

(52) **U.S. Cl.** **D8/394; D8/356**

(58) **Field of Search** D23/266, 200,
D23/499, 233, 244, 245; D8/354, 380,
396, 356, 394; D24/113, 127, 129; 251/8,
267, 284; 604/248, 250

FIG. 1 is a front top perspective view of the flow stop and tubing guide of the present invention showing our new design with the phantom lines depicting environmental structure and forming no part of the claimed design;

FIG. 2 is a front elevational view of the flow stop of FIG. 1 shown at an enlarged scale;

FIG. 3 is a left side elevational view thereof;

FIG. 4 is a right side elevational view thereof;

FIG. 5 is a rear elevational view thereof;

FIG. 6 is a top plan view thereof;

FIG. 7 is a bottom plan view thereof;

FIG. 8 is a top end view of the tubing guide of the present invention shown at an enlarged scale.

FIG. 9 is a front elevational view thereof;

FIG. 10 is a side elevational view thereof; and,

FIG. 11 is a bottom plan view thereof.

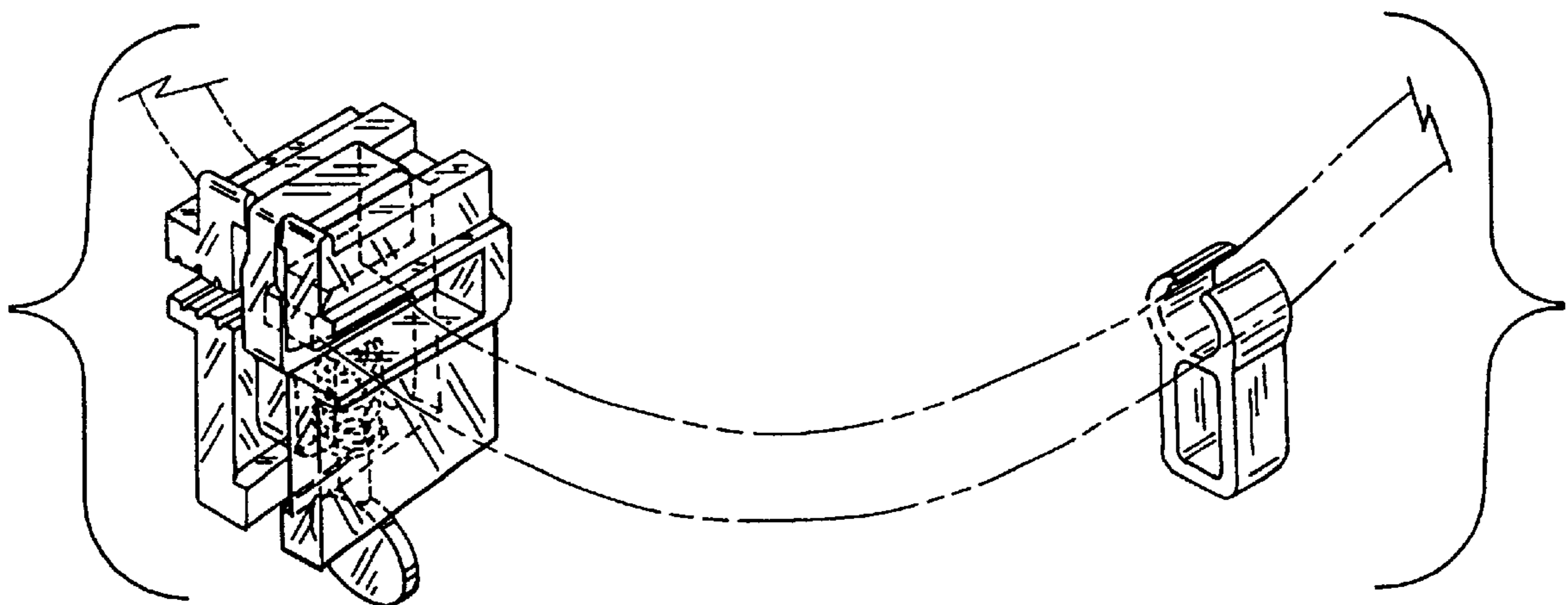
The stop shown in FIGS. 2 through 7 and tubing guide shown in FIGS. 8 through 11 are depicted separately for clarity of illustration.

(56) **References Cited**

U.S. PATENT DOCUMENTS

D. 362,062	*	9/1995	Botts et al.	D24/129
D. 380,260		6/1997	Hyman	D24/111
D. 408,911		4/1999	Moubayed et al.	D24/111
1,782,578	*	11/1930	McCune	251/284
2,841,358	*	7/1958	Russell et al.	251/8
2,908,476	*	10/1959	Hidding	251/8
4,714,463	*	12/1987	Archibald et al.	604/250
5,090,877		2/1992	D'Silva	417/474
5,637,093		6/1997	Hyman et al.	604/131
5,642,557	*	7/1997	Clews	D8/396
5,658,133		8/1997	Anderson et al.	417/63
5,718,569		2/1998	Holst	417/479
5,791,881		8/1998	Moubayed et al.	417/474

1 Claim, 2 Drawing Sheets



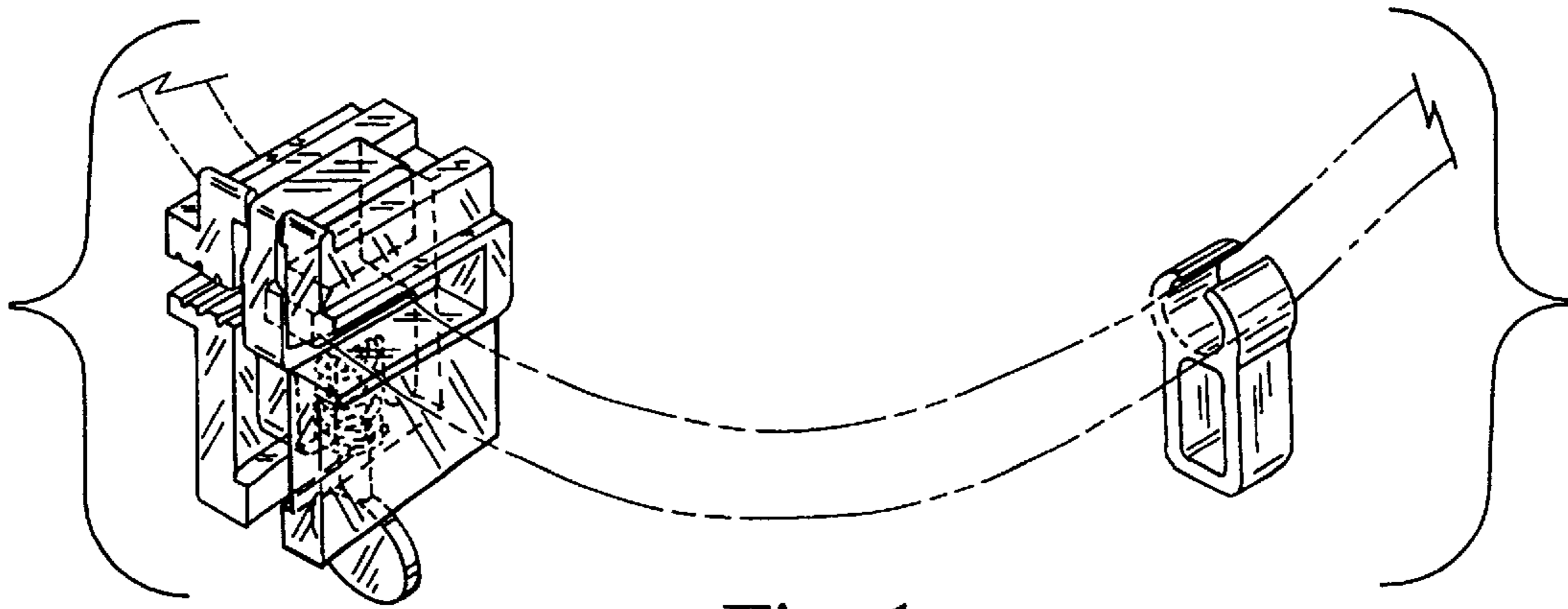


Fig. 1

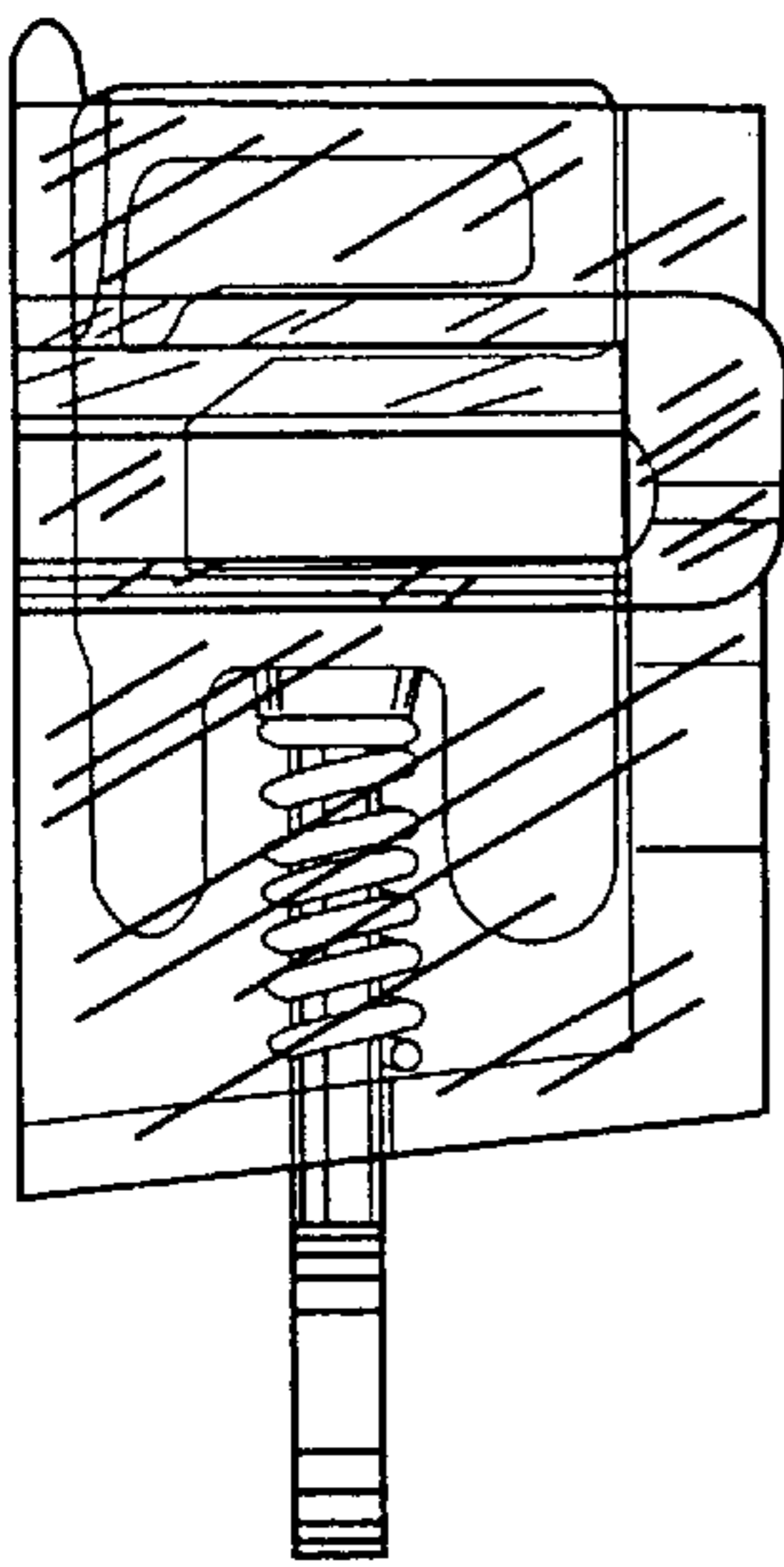


Fig. 2

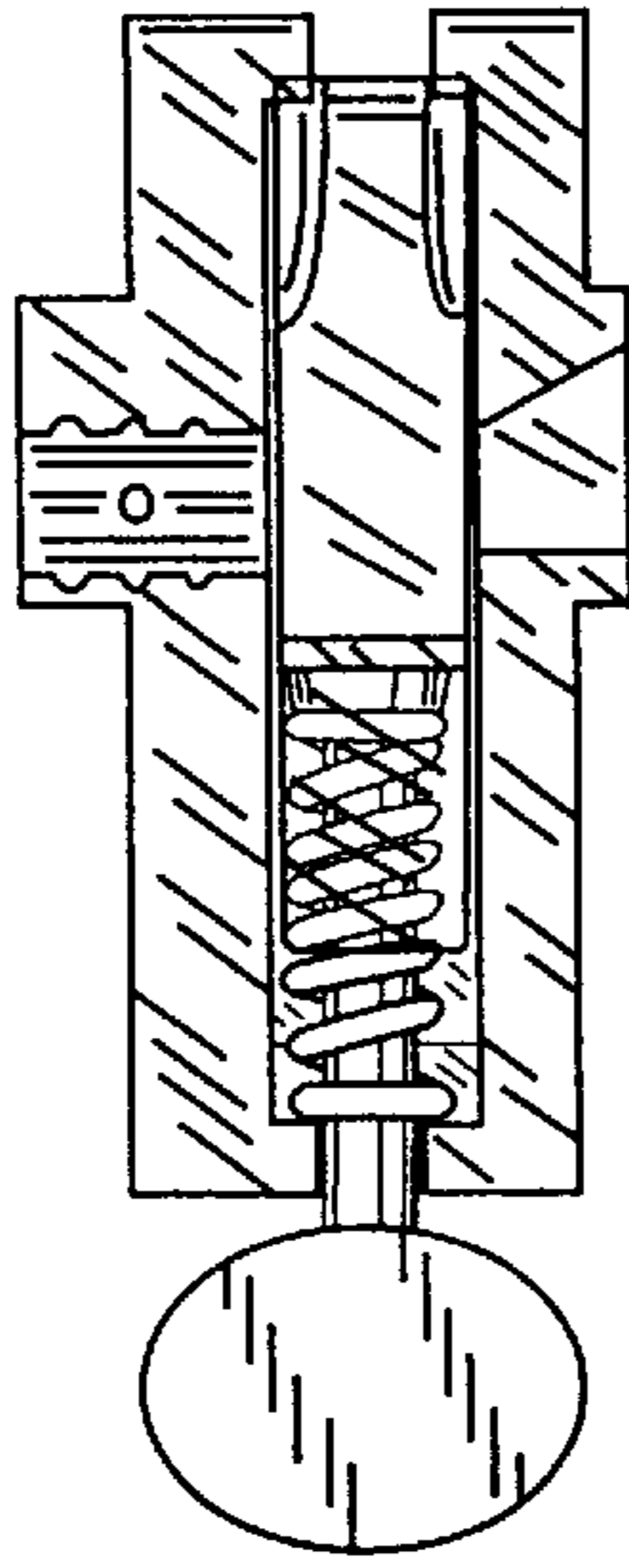


Fig. 3

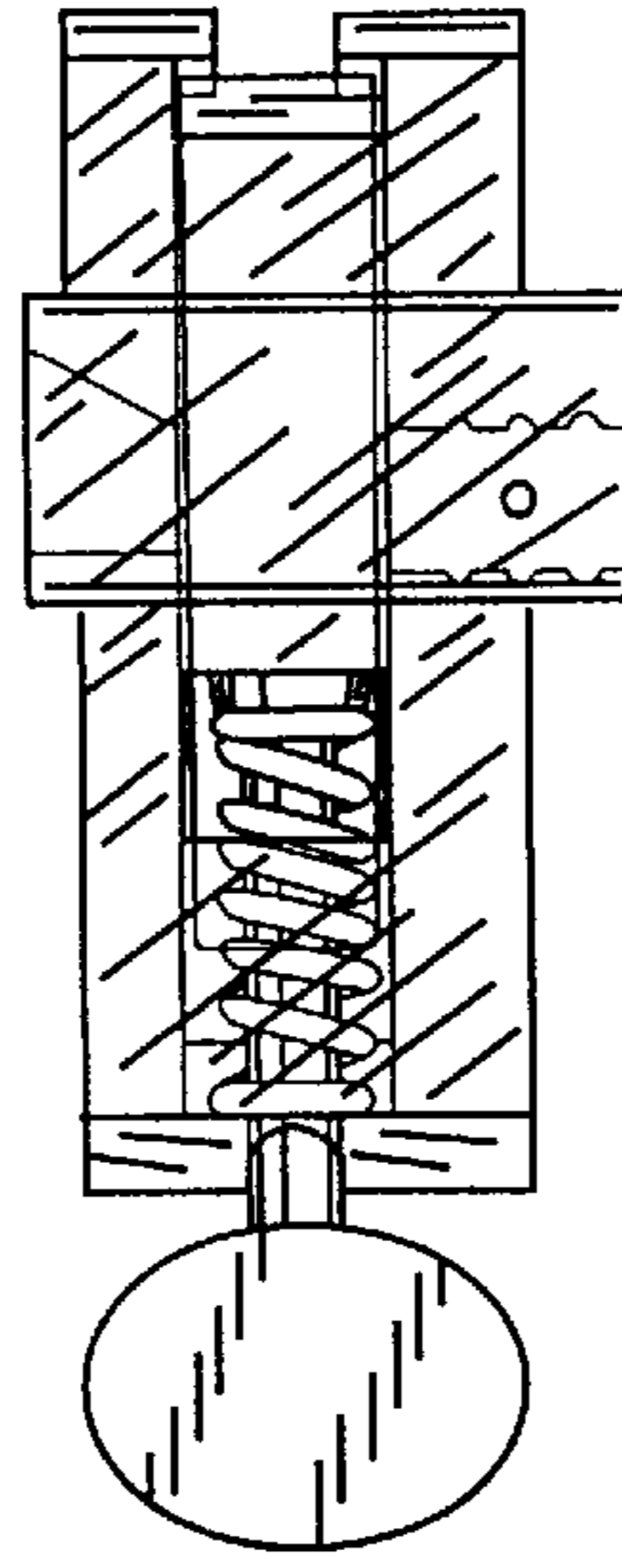


Fig. 4

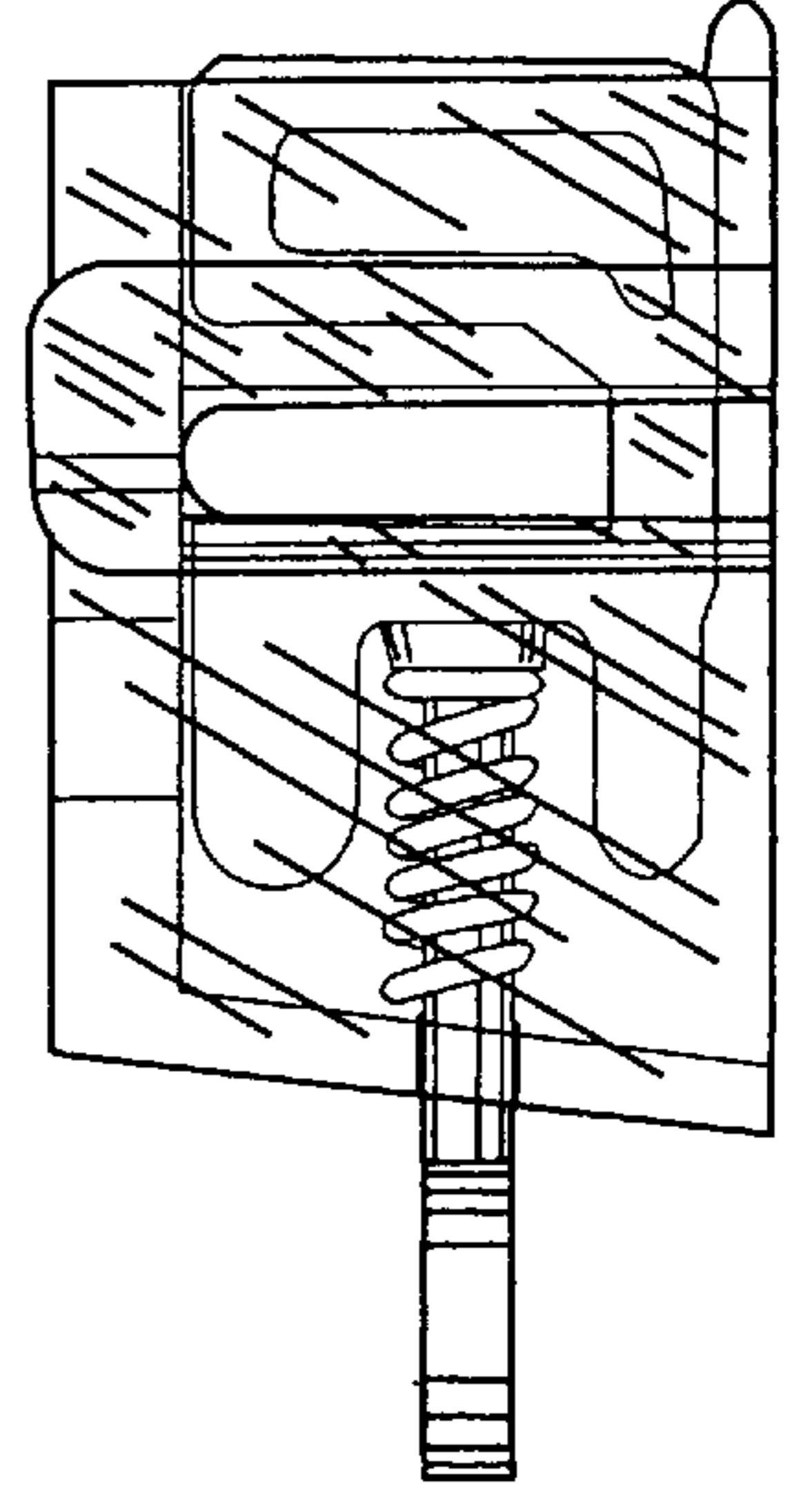


Fig. 5

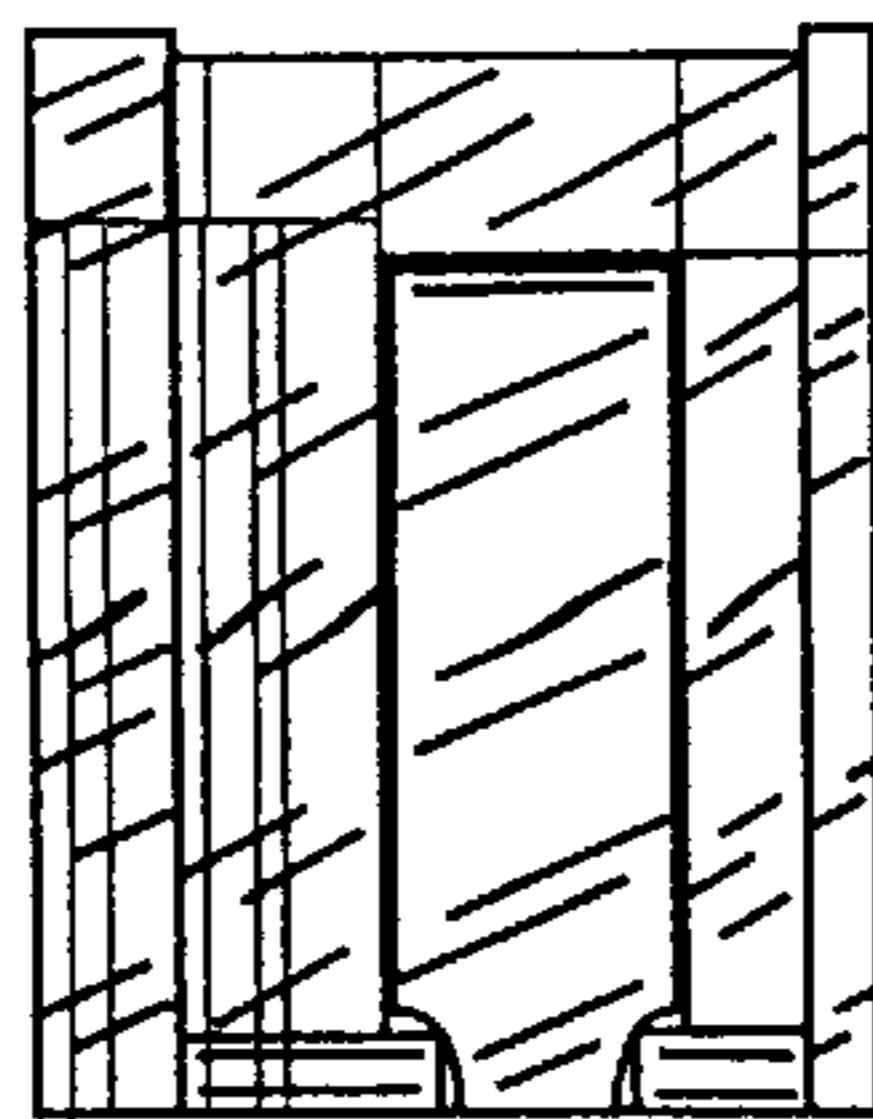


Fig. 6

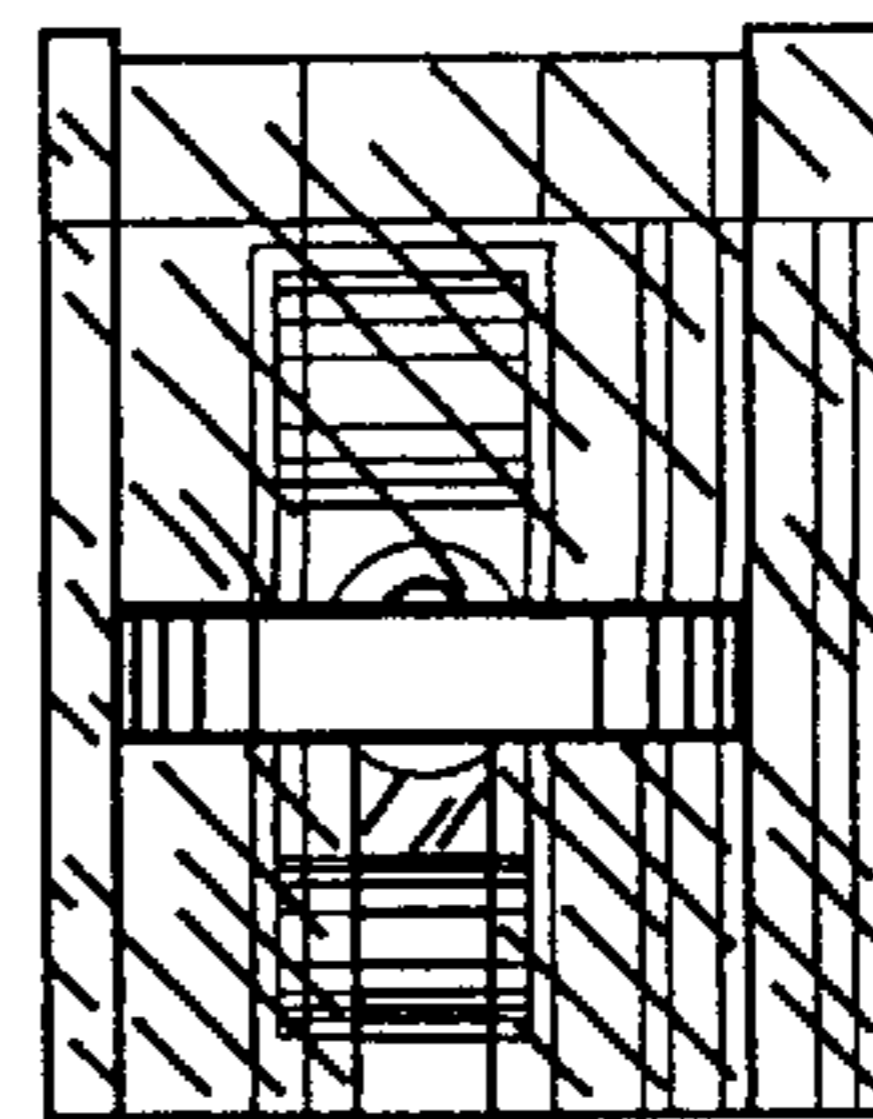


Fig. 7

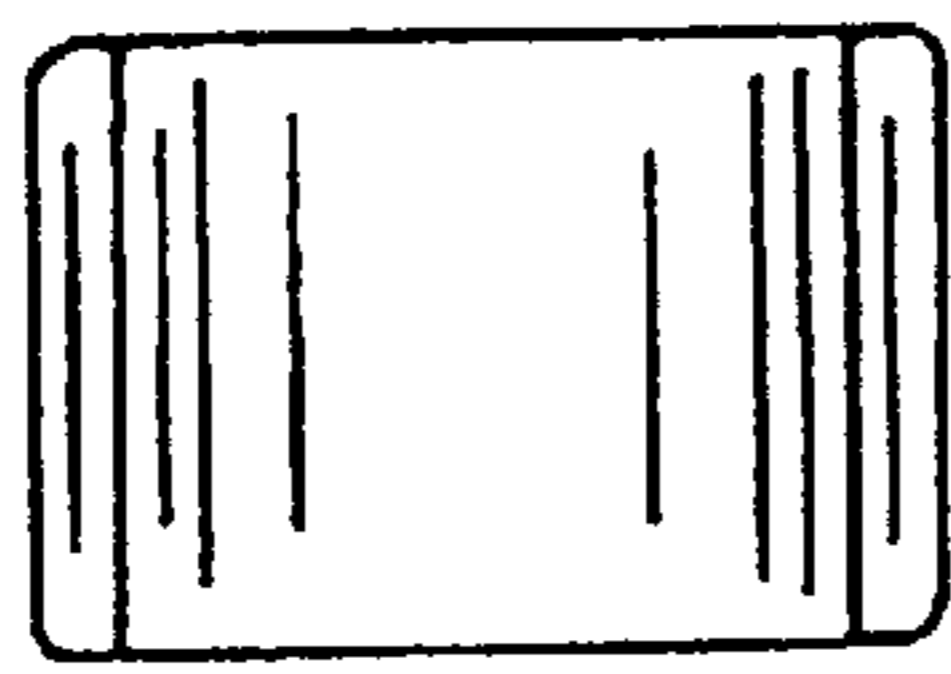


Fig. 8

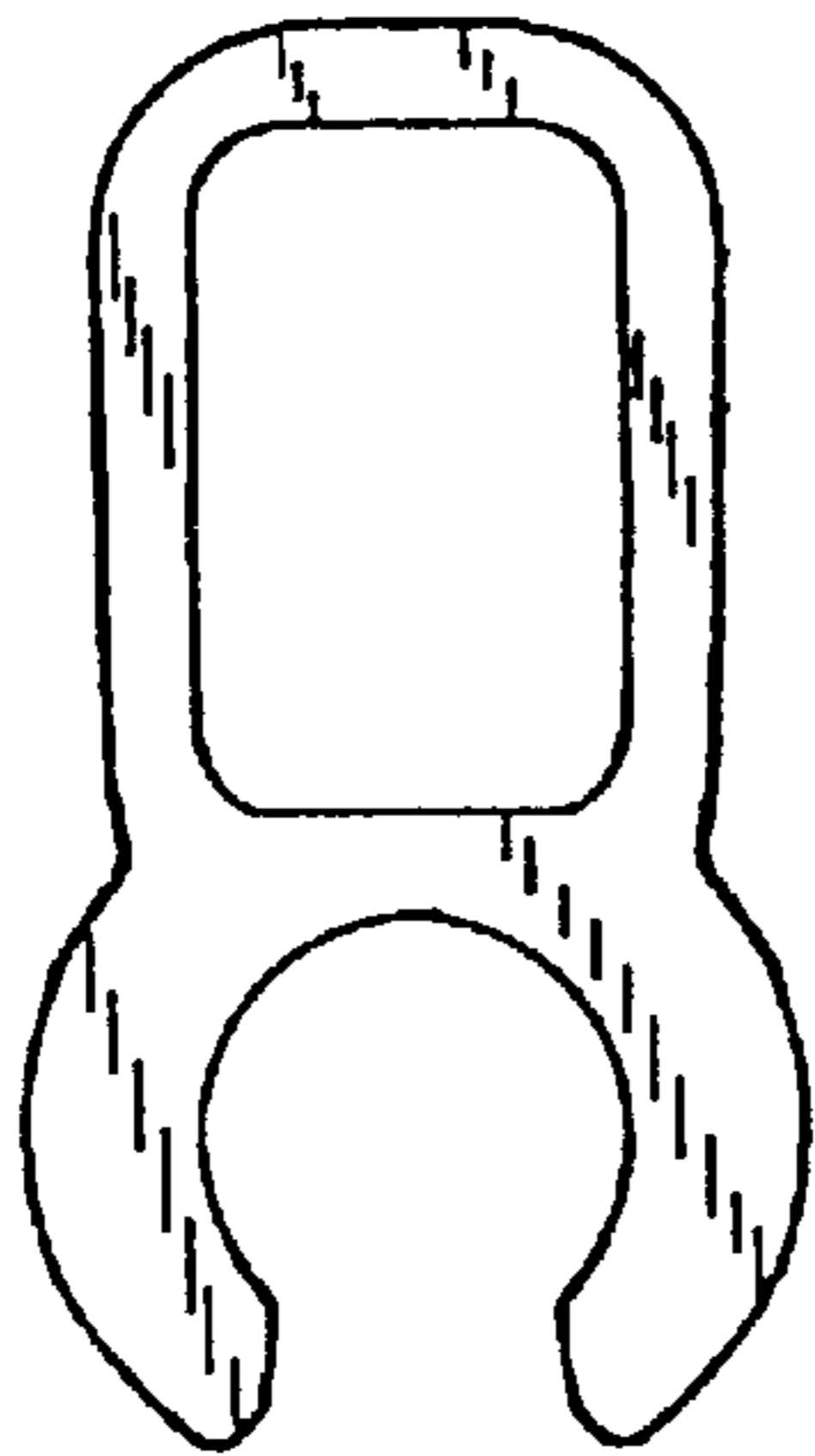


Fig. 9

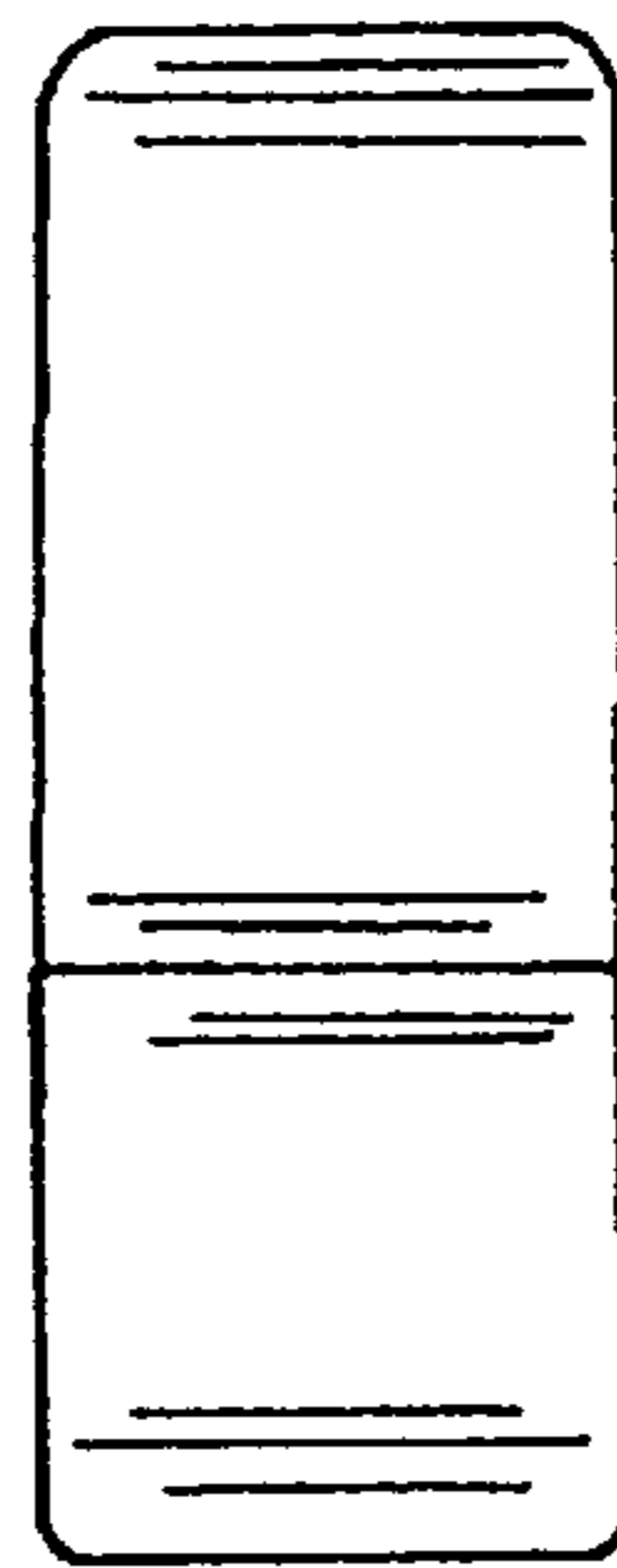


Fig. 10

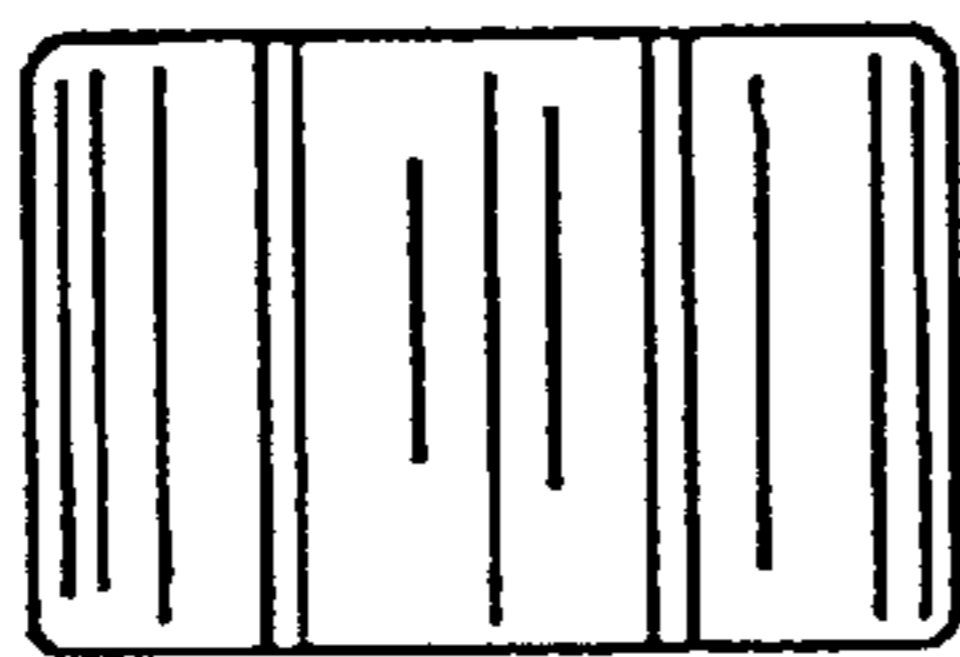


Fig. 11

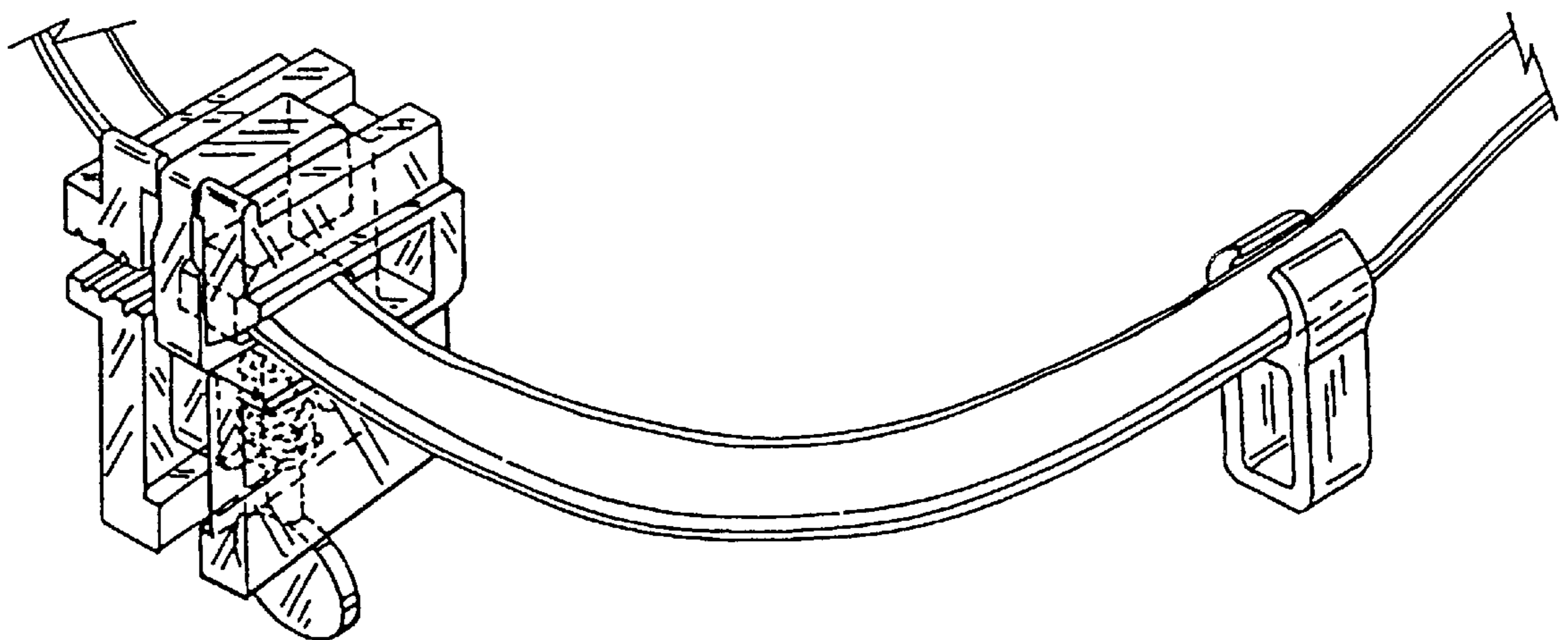


Fig. 12