



US00D437545S

(12) **United States Design Patent**
Bohrer

(10) **Patent No.:** **US D437,545 S**

(45) **Date of Patent:** **** Feb. 13, 2001**

(54) **REEL WITH FRAME**

(76) Inventor: **Lee A. Bohrer**, 306 Terra View West,
Mankato, MN (US) 56001

(**) Term: **14 Years**

(21) Appl. No.: **29/113,514**

(22) Filed: **Nov. 5, 1999**

(51) **LOC (7) Cl.** **08-05**

(52) **U.S. Cl.** **D8/359**

(58) **Field of Search** D8/359; 191/12.2 R;
242/395, 405.3, 129.8, 128

(56) **References Cited**

U.S. PATENT DOCUMENTS

D. 310,207	*	8/1990	Sheps	D13/184
D. 391,549	*	3/1998	Ness	D13/140
2,488,039		11/1949	Sketchley	.	
2,659,540		11/1953	Sketchley	.	
3,175,574		3/1965	Morford	.	
4,012,002		3/1977	McDonald et al.	.	
4,676,267		6/1987	Wang	.	
4,773,113		9/1988	Russell	.	

4,993,449	2/1991	Stutzman et al.	.
5,109,882	5/1992	Eley	.
5,284,181	2/1994	Bloch	.
5,372,225	* 12/1994	Joynes et al. 191/12.2 R
5,526,997	* 6/1996	Karczmer 191/12.2 R X

* cited by examiner

Primary Examiner—Holly Baynham

(74) *Attorney, Agent, or Firm*—Moore & Hansen

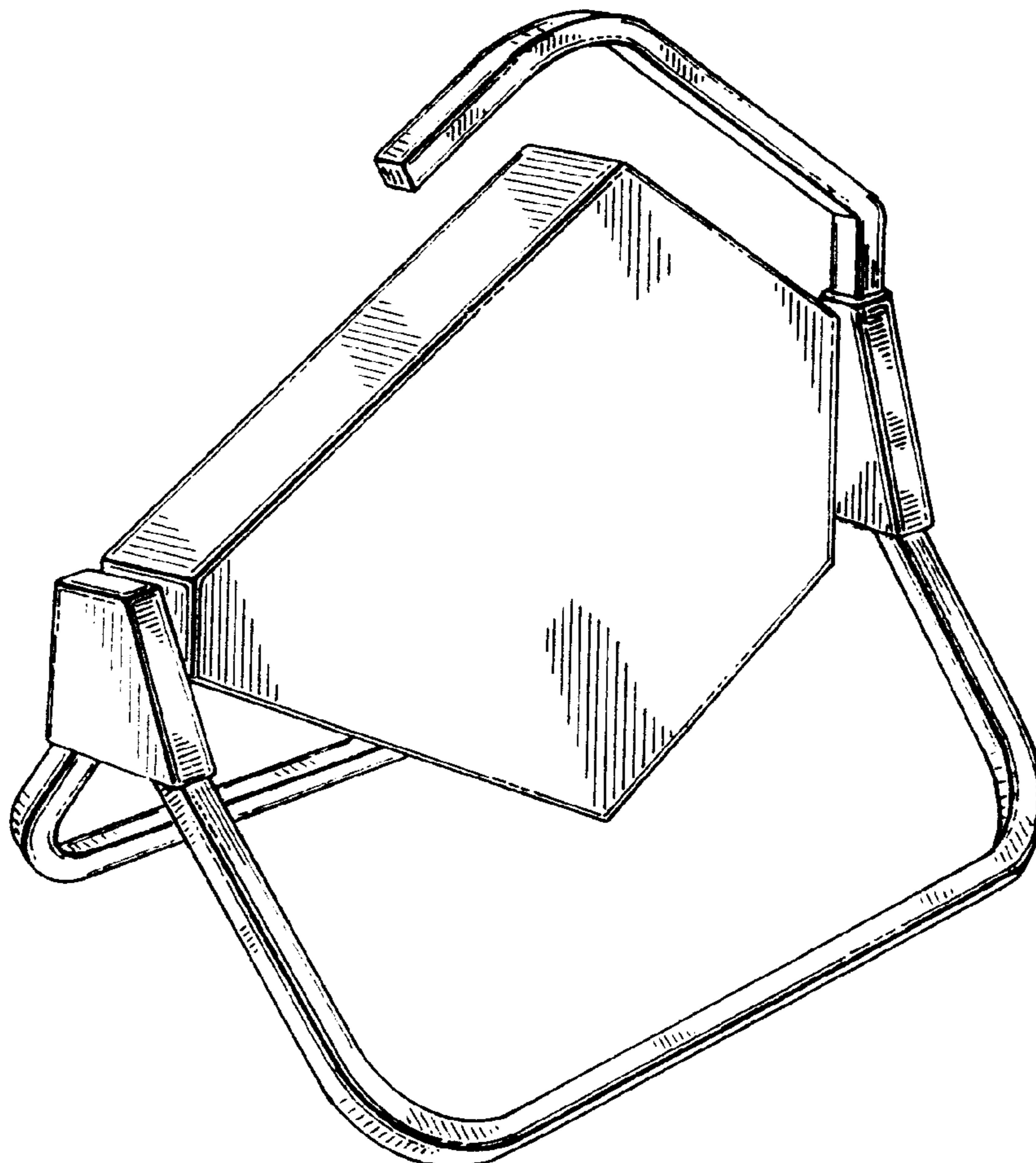
(57) **CLAIM**

The ornamental design for a reel with frame, as shown and described.

DESCRIPTION

FIG. 1 is a perspective view of an embodiment of the new design;
FIG. 2 is a front elevational view thereof, the rear elevational view being the mirror image of FIG. 2;
FIG. 3 is a right side elevational view thereof;
FIG. 4 is a top elevational view thereof;
FIG. 5 is a left side elevational view thereof; and,
FIG. 6 is a bottom elevational view thereof.

1 Claim, 2 Drawing Sheets



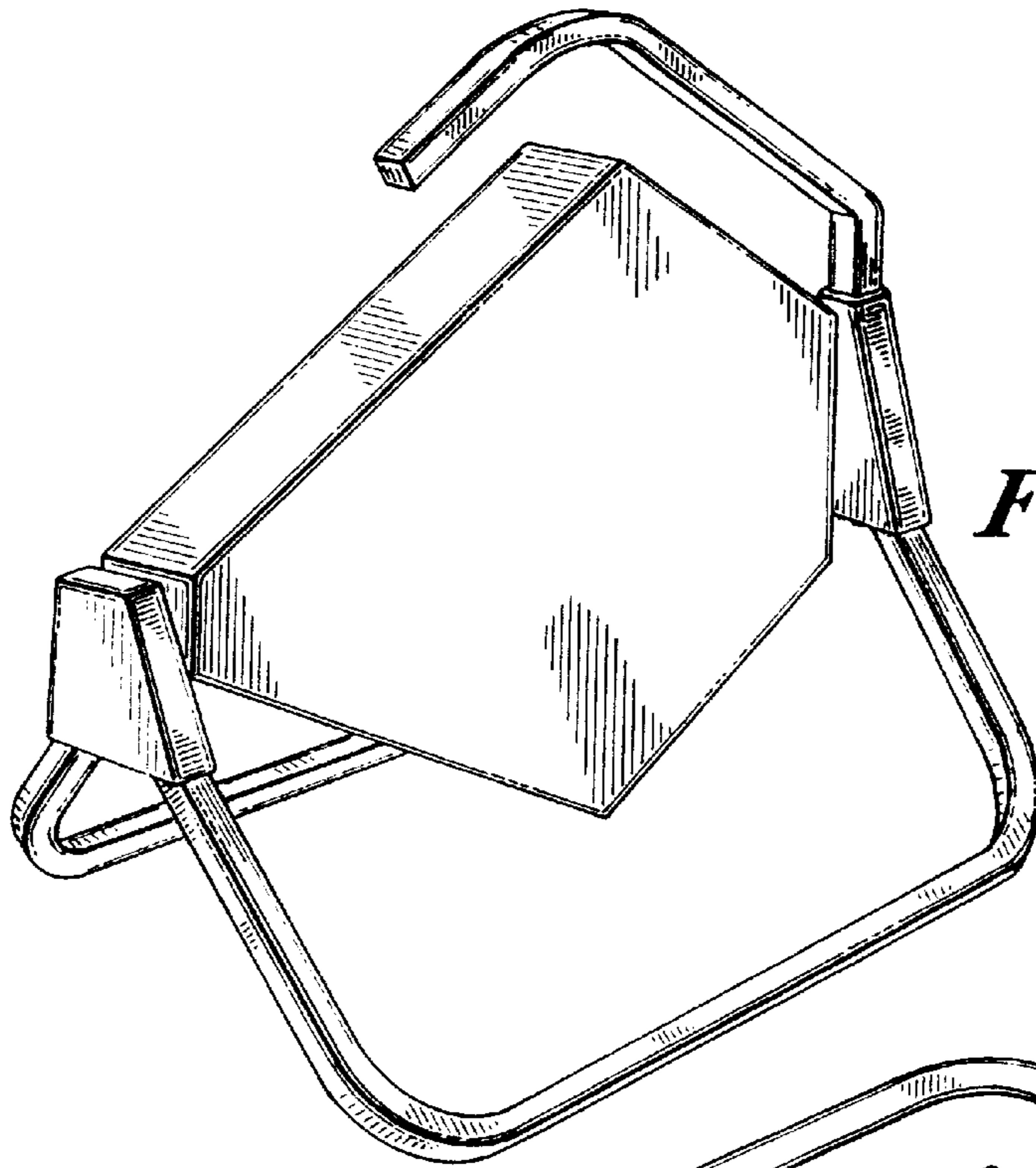


Fig 1

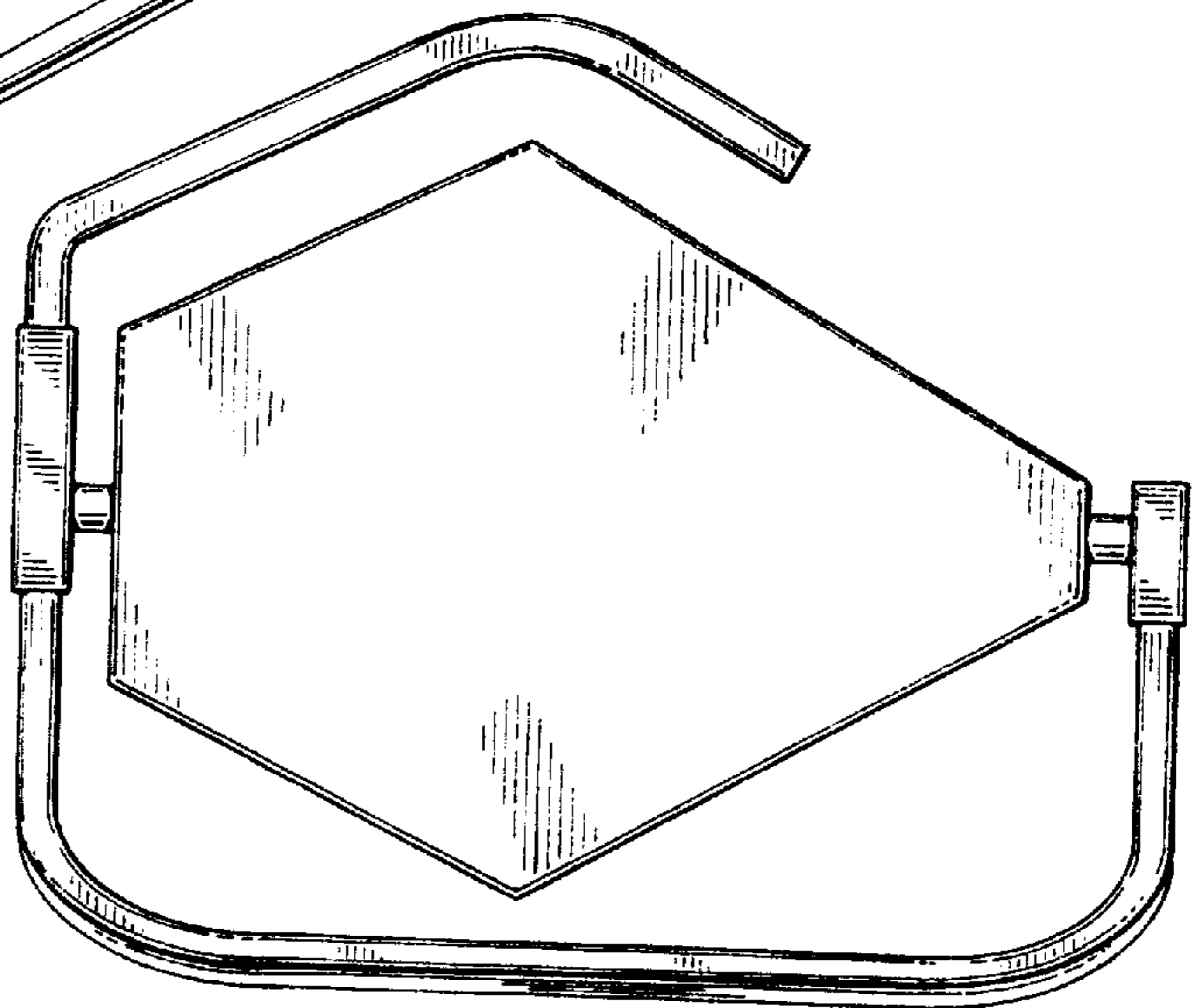


Fig 2

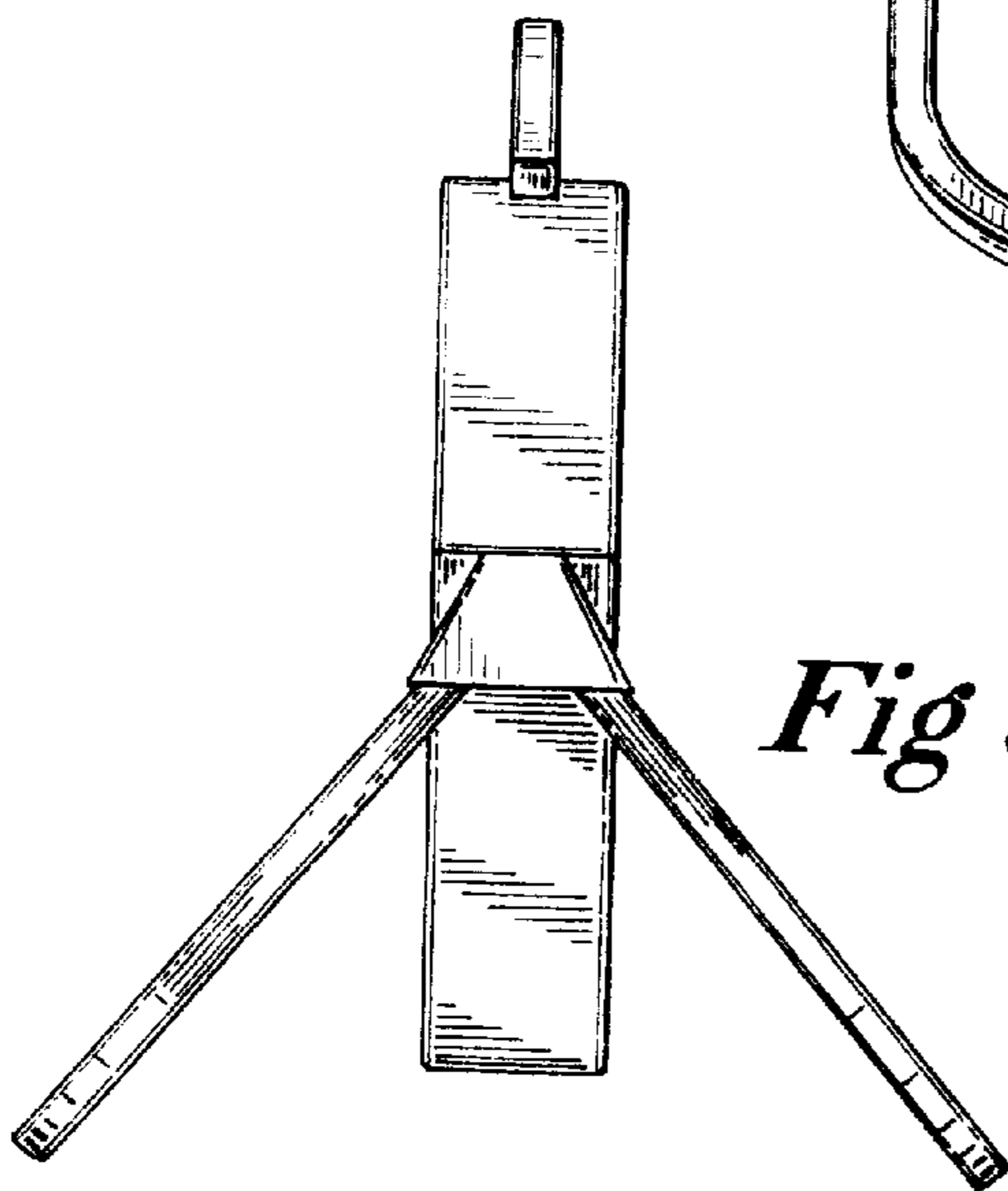


Fig 3

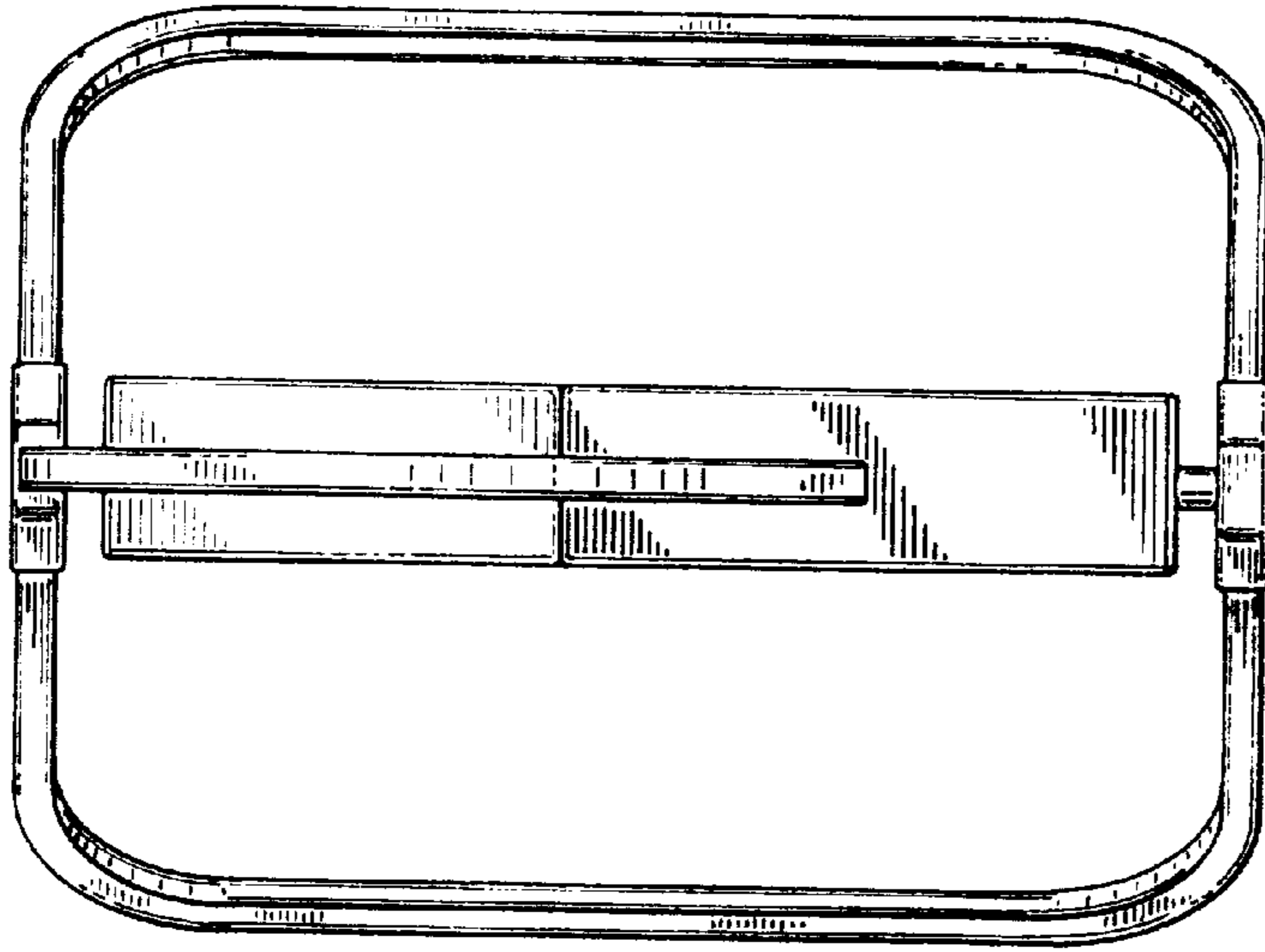


Fig 4

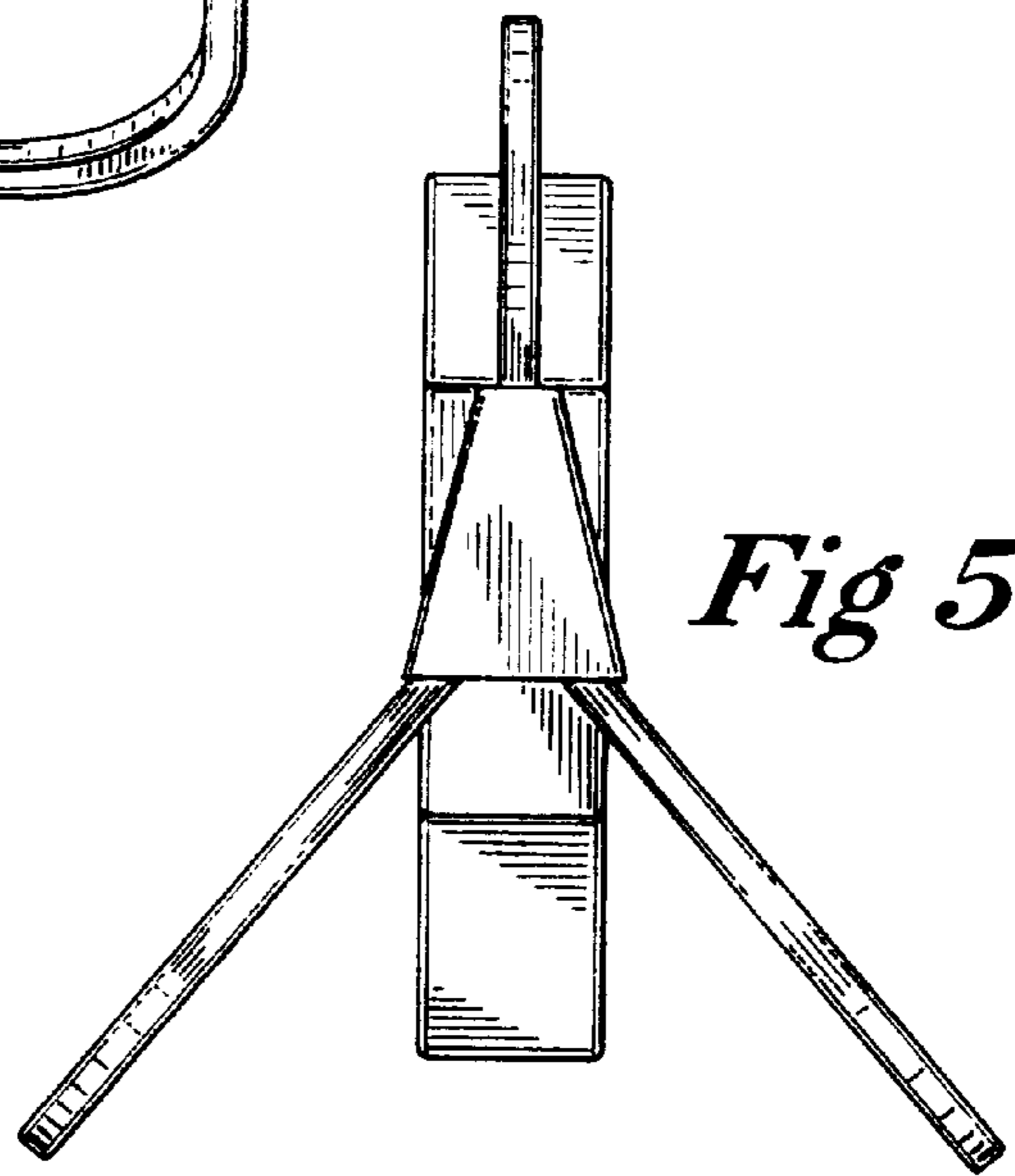


Fig 5

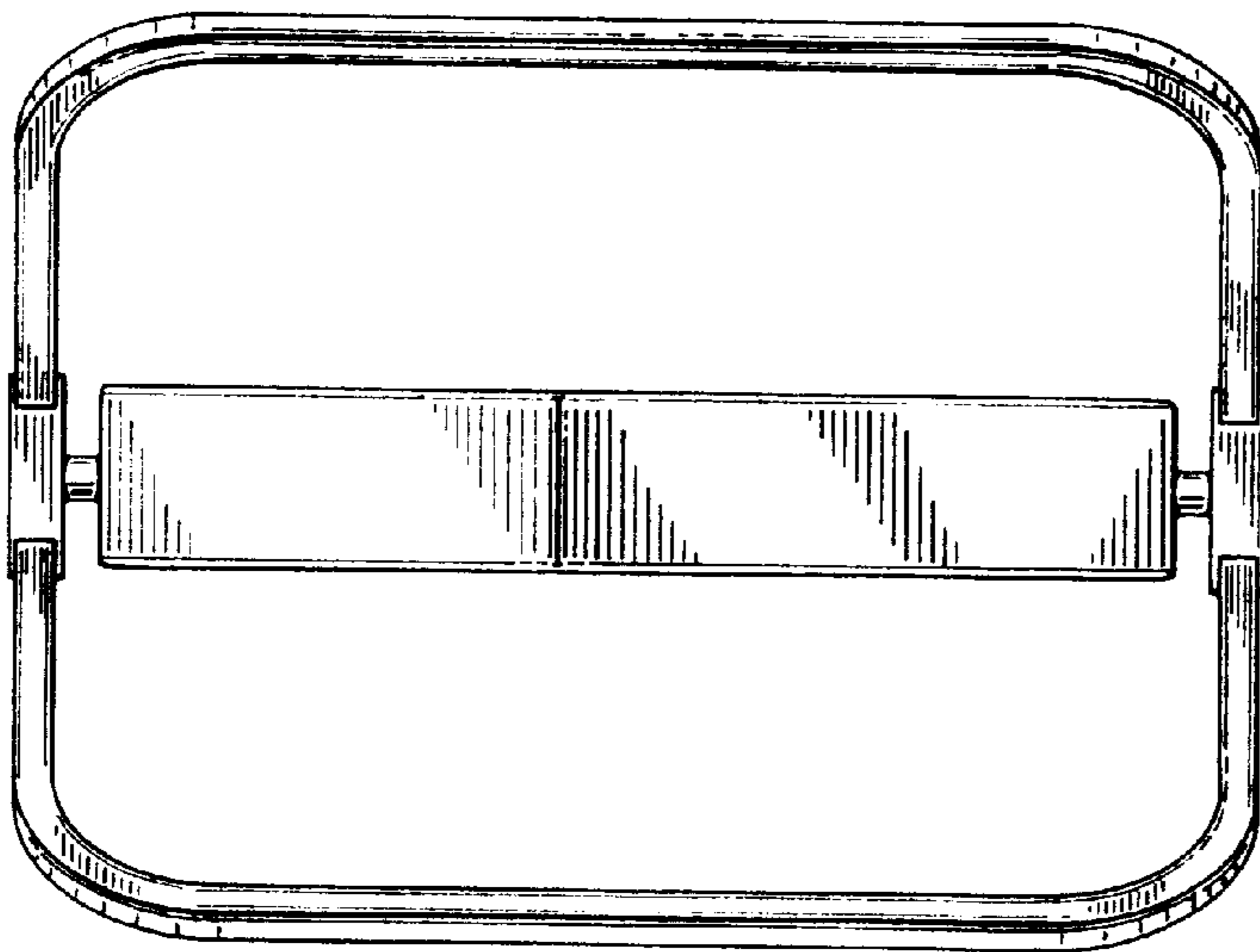


Fig 6