



US00D437543S

(12) **United States Design Patent** (10) **Patent No.:** **US D437,543 S**  
**Mudryk et al.** (45) **Date of Patent:** **\*\* Feb. 13, 2001**

(54) **DELINEATOR BRACKET**

(75) Inventors: **Boydan Joseph Mudryk**, Seaham;  
**Garry David Campbell**, Valentine,  
both of (AU)

(73) Assignee: **Rondo Building Services Pty. Ltd.**, St.  
Marys (AU)

(\*\*) Term: **14 Years**

(21) Appl. No.: **29/115,009**

(22) Filed: **Dec. 6, 1999**

(30) **Foreign Application Priority Data**

Sep. 30, 1999 (AU) ..... 3239/99

(51) **LOC (7) Cl.** ..... **08-05**

(52) **U.S. Cl.** ..... **D8/354**

(58) **Field of Search** ..... D8/354, 349; D21/390;  
248/300; 404/10

(56) **References Cited**

**U.S. PATENT DOCUMENTS**

- D. 166,243 \* 3/1952 Crist ..... D21/390
- D. 319,414 \* 8/1991 Moore ..... D11/95
- 1,771,682 \* 7/1930 Landau ..... 248/300 X
- 4,636,108 \* 1/1987 Duckett ..... 404/10
- 5,518,337 \* 5/1996 Modlin ..... 404/10
- 5,881,992 \* 3/1999 Evertowski et al. .... 248/674

**FOREIGN PATENT DOCUMENTS**

2029949 \* 11/1993 (GB) .

\* cited by examiner

*Primary Examiner*—Holly Baynham

(74) *Attorney, Agent, or Firm*—Frommer Lawrence &  
Haug LLP; William S. Frommer

(57) **CLAIM**

The ornamental design for “delineator bracket,” as shown.

**DESCRIPTION**

FIG. 1 is a perspective view of a first environmental view of the delineator bracket showing our new design;

FIG. 2 is a right side view thereof;

FIG. 3 is a top view thereof;

FIG. 4 is a bottom view thereof;

FIG. 5 is a rear view thereof;

FIG. 6 is a left side view thereof;

FIG. 7 is a front view thereof;

FIG. 8 is a perspective view of a second environmental view thereof;

FIG. 9 is a right side view thereof;

FIG. 10 is a top view thereof;

FIG. 11 is a bottom view thereof;

FIG. 12 is a rear view thereof;

FIG. 13 is a front view thereof;

FIG. 14 is a perspective view of a third environmental view thereof;

FIG. 15 is a right side view thereof;

FIG. 16 is a top view thereof;

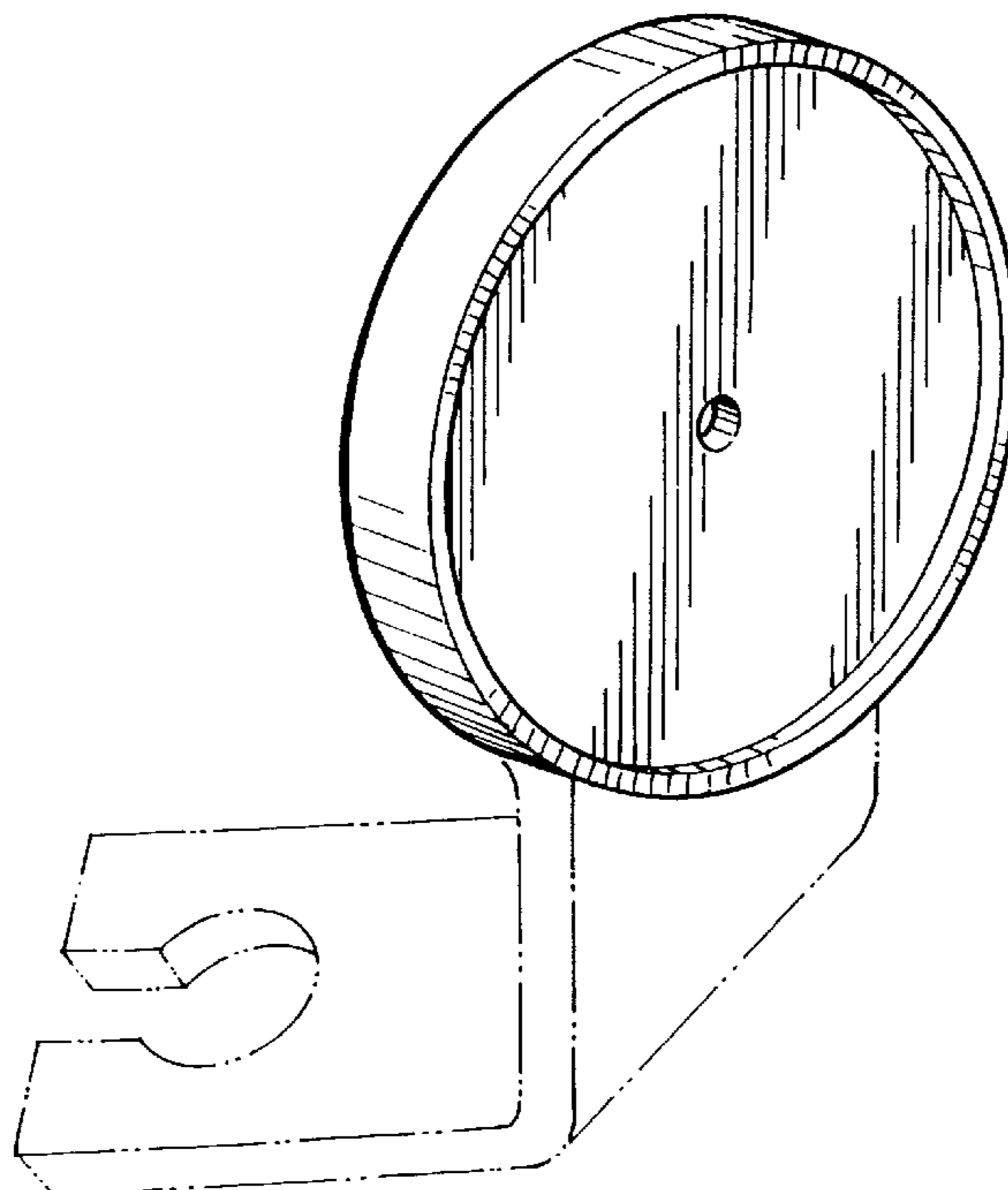
FIG. 17 is a bottom view thereof;

FIG. 18 is a rear view thereof; and,

FIG. 19 is a front view thereof.

The broken line showing of a bracket element is for illustrative purposes only and forms no part of the claimed design.

**1 Claim, 6 Drawing Sheets**



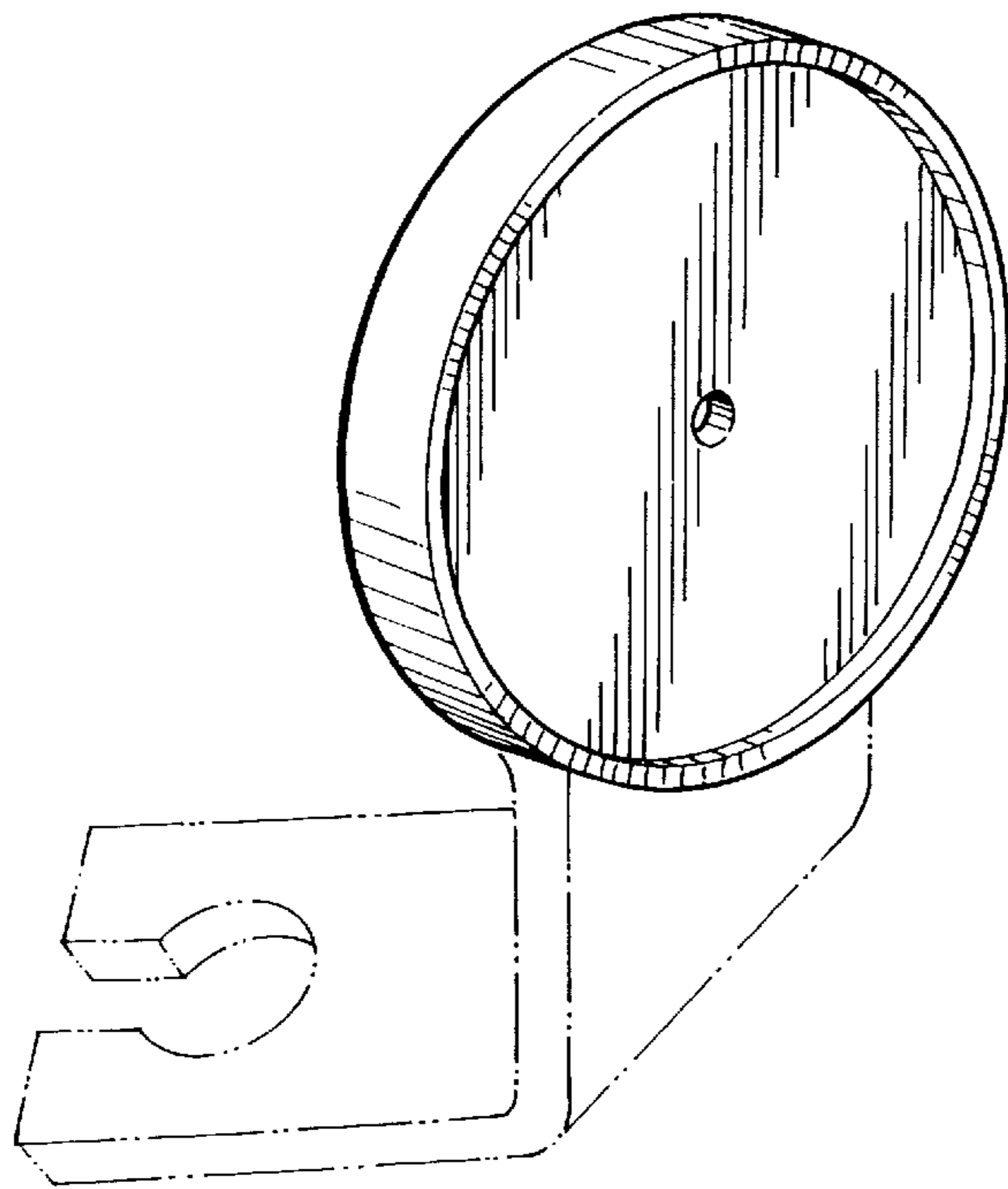


FIG. 1

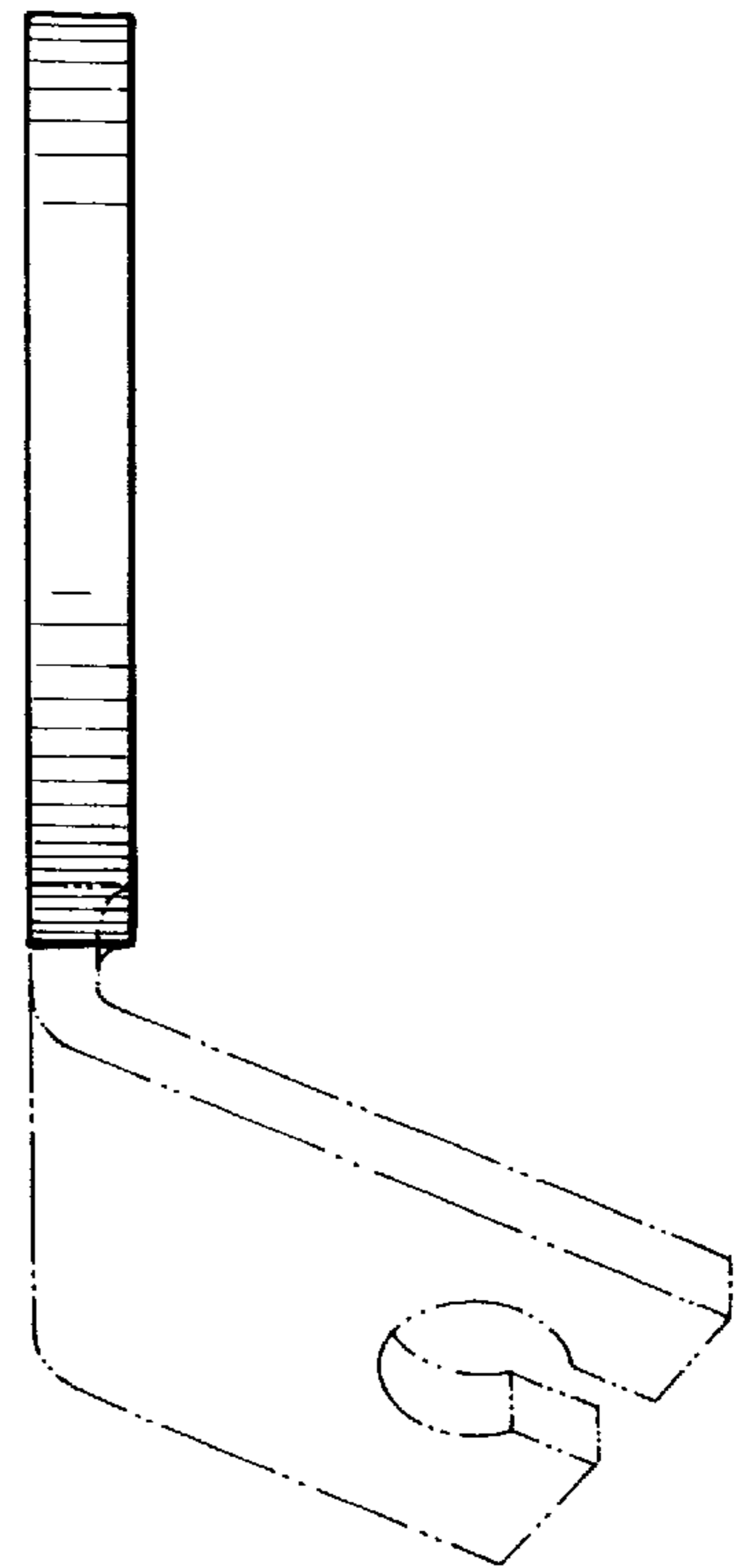


FIG. 2

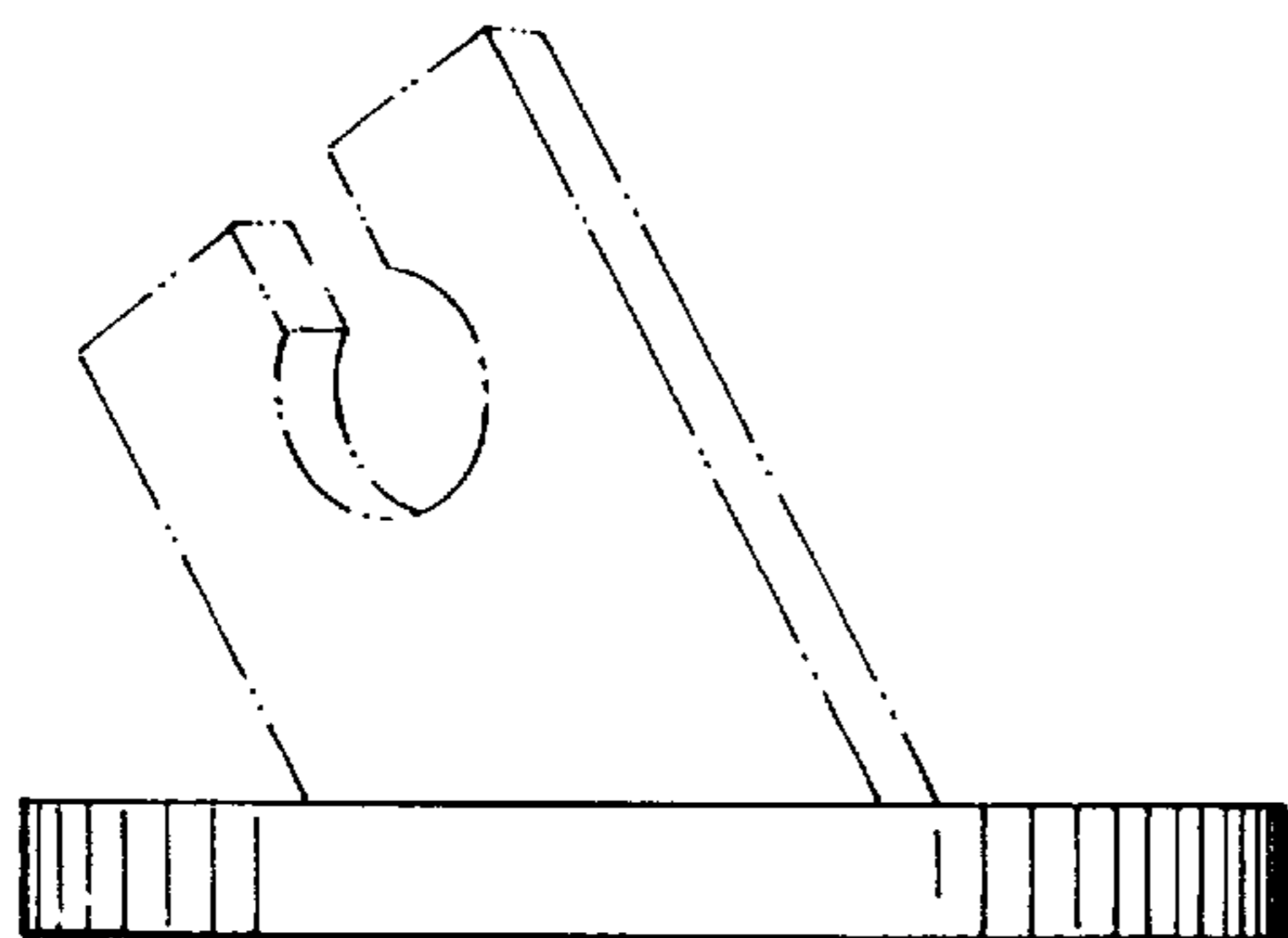


FIG. 3

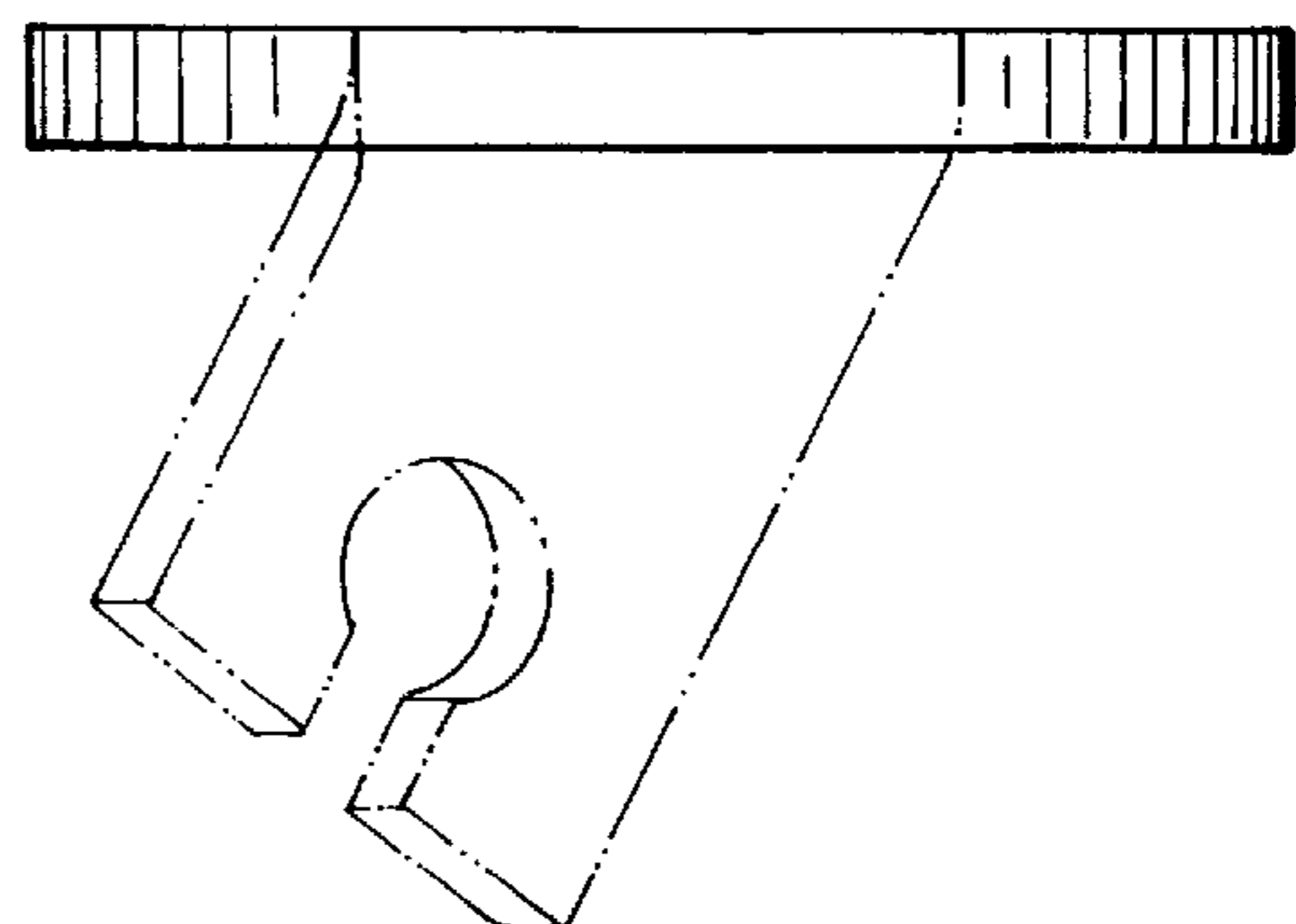


FIG. 4

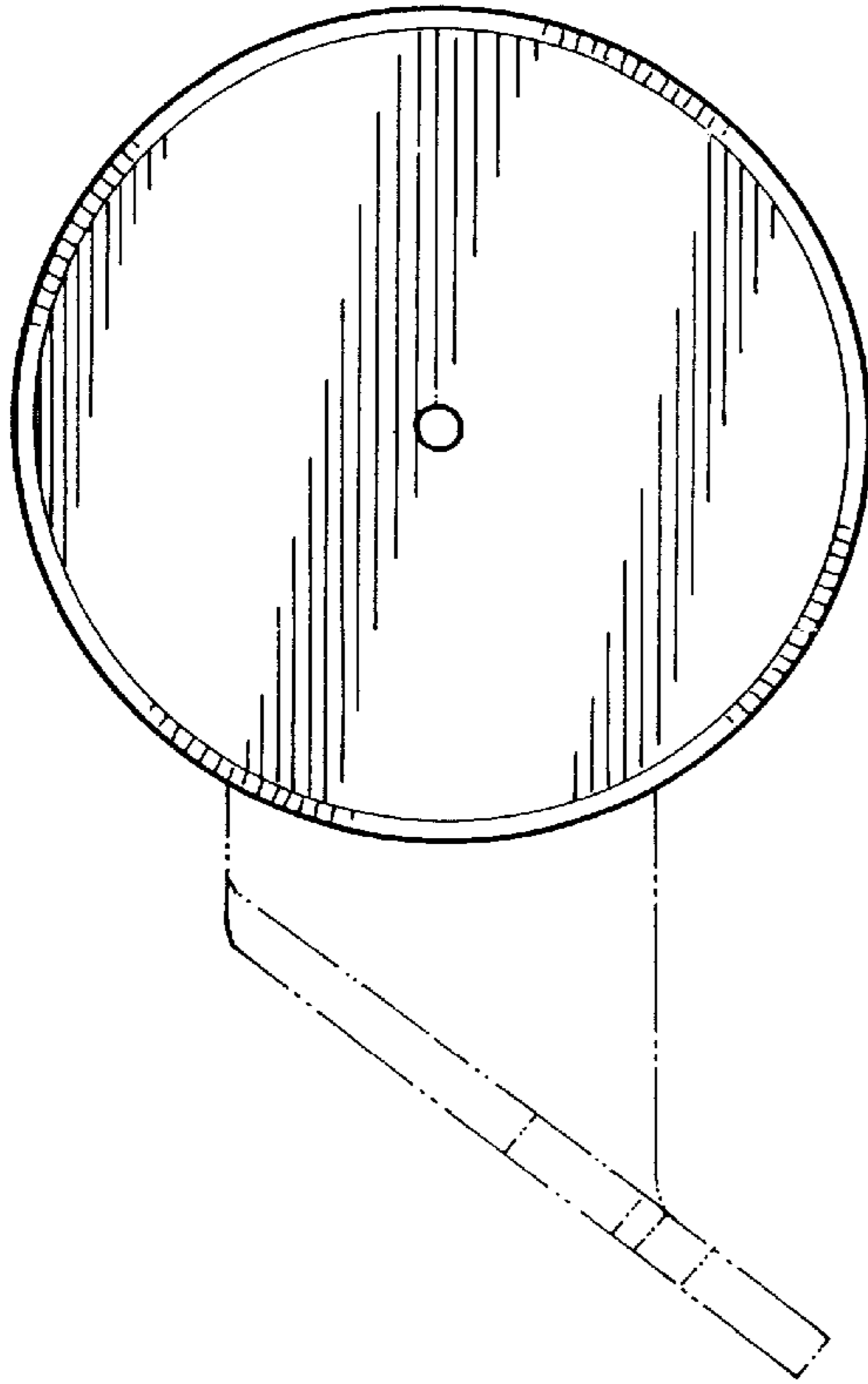


FIG. 5

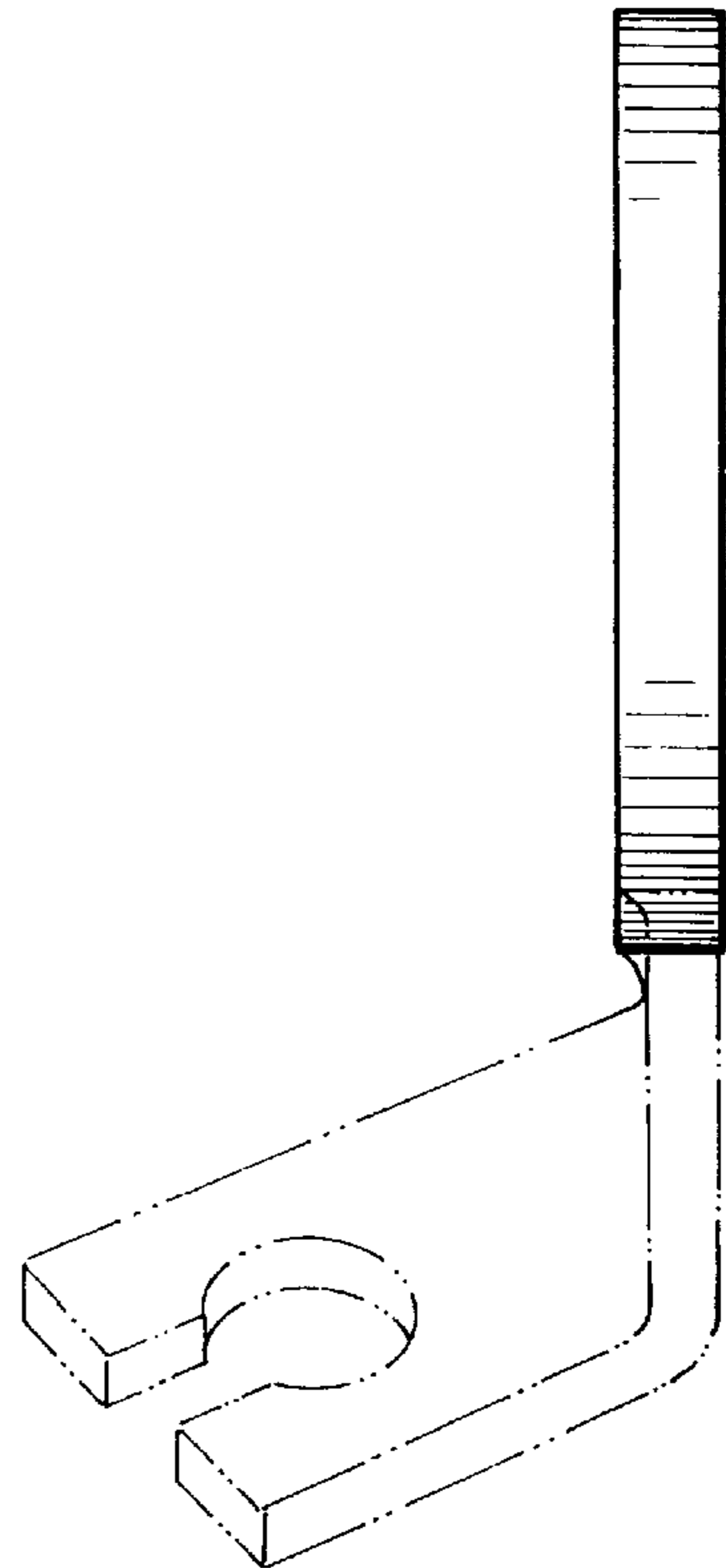


FIG. 6

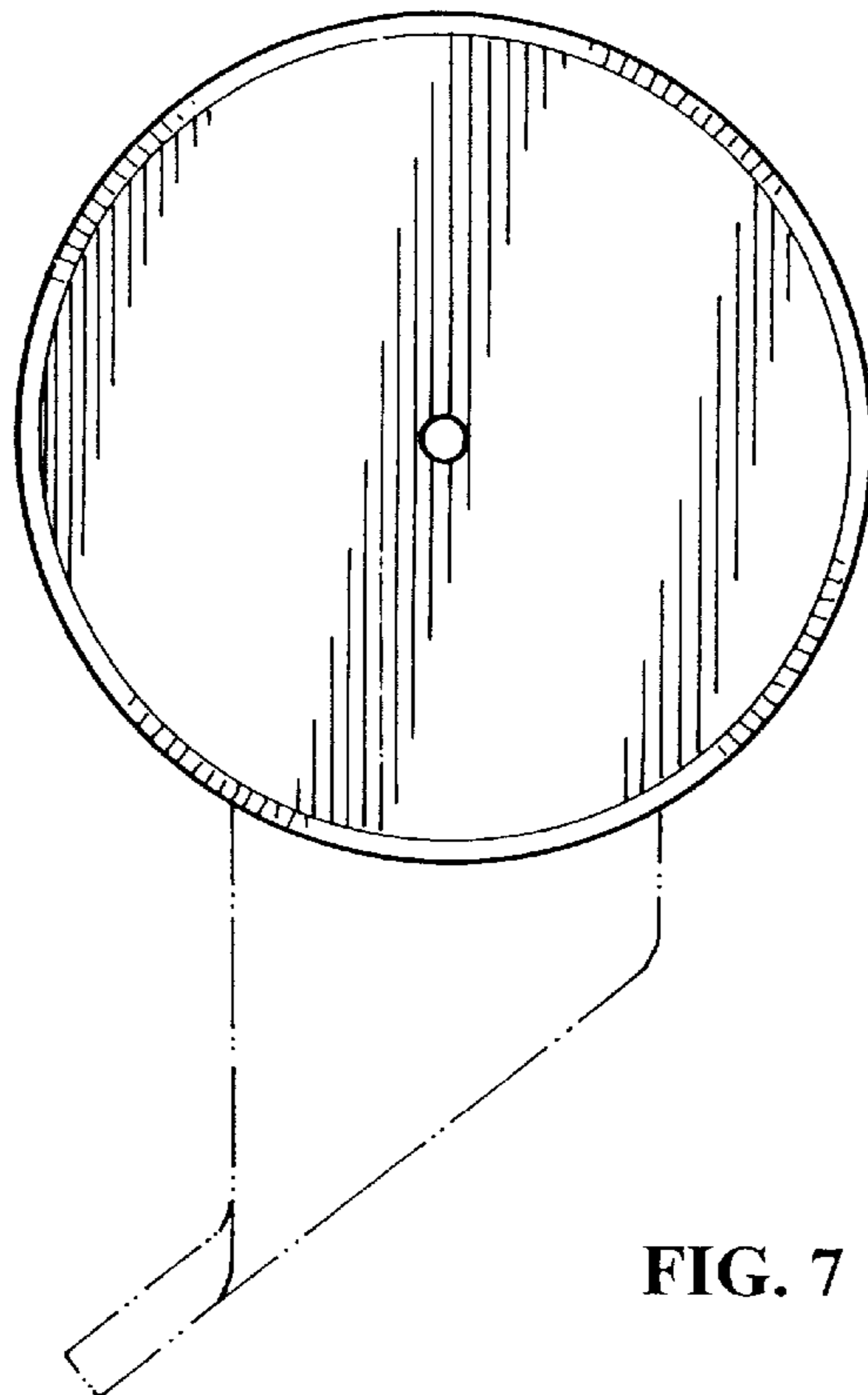


FIG. 7

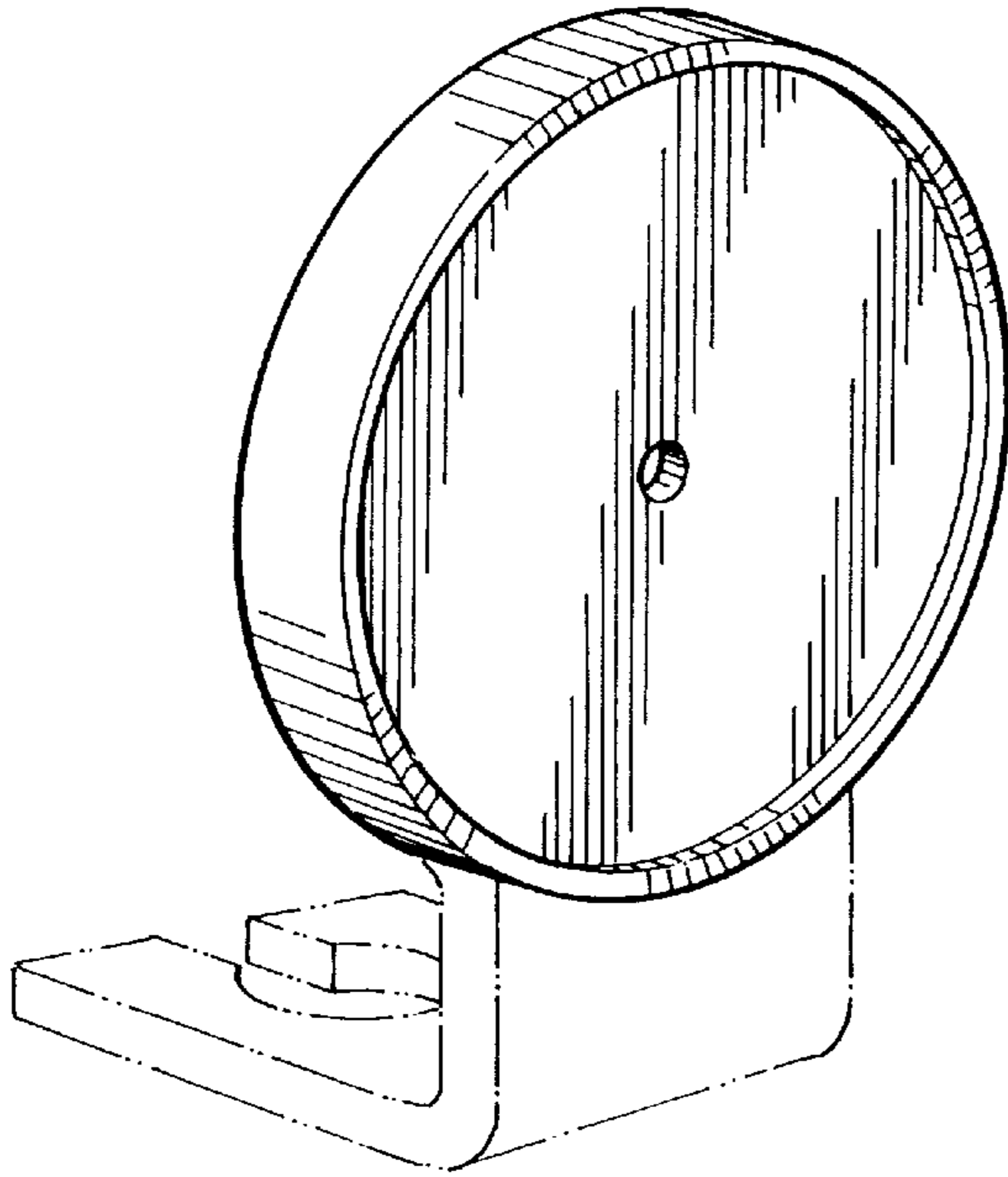


FIG. 8

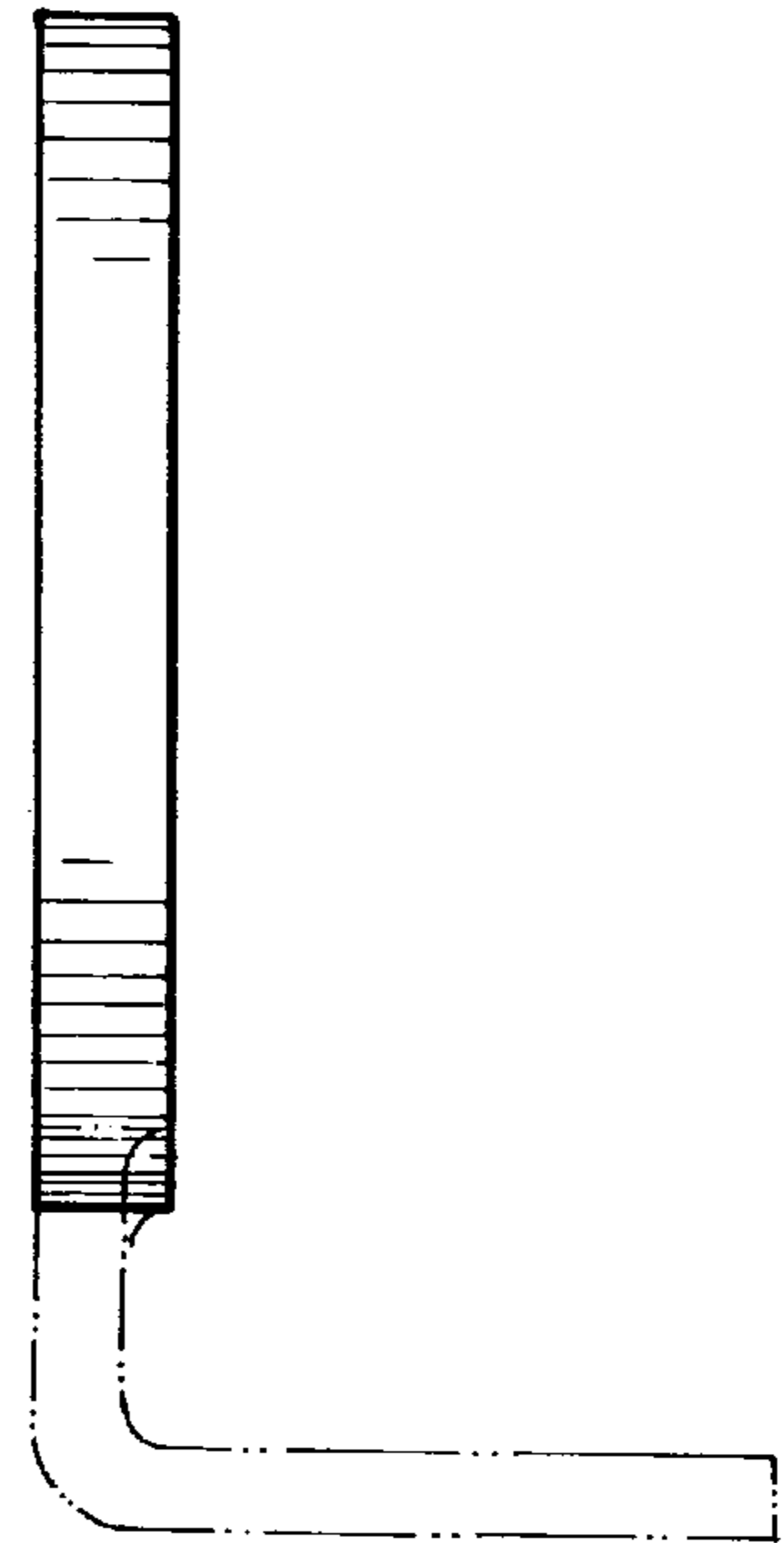


FIG. 9

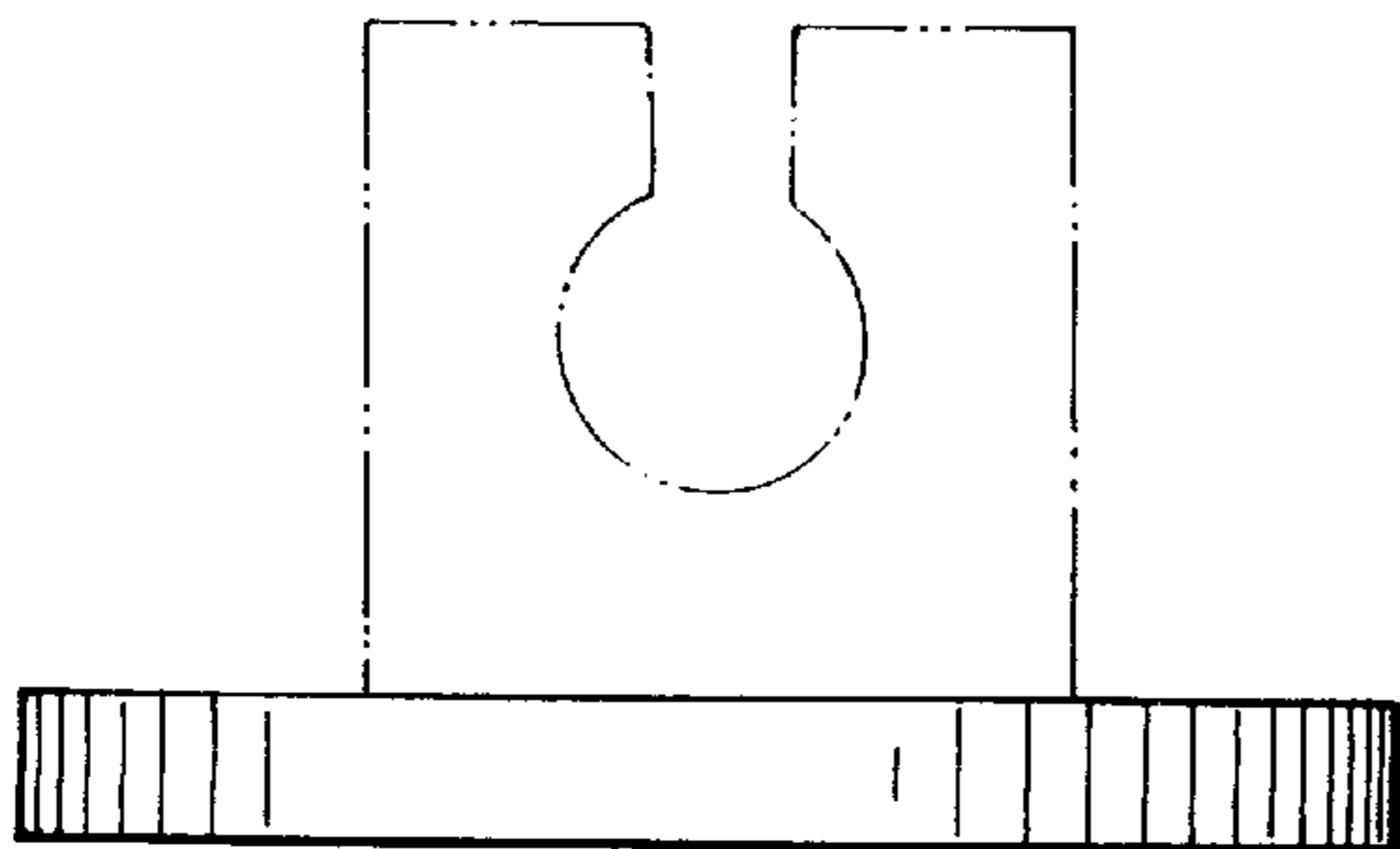


FIG. 10

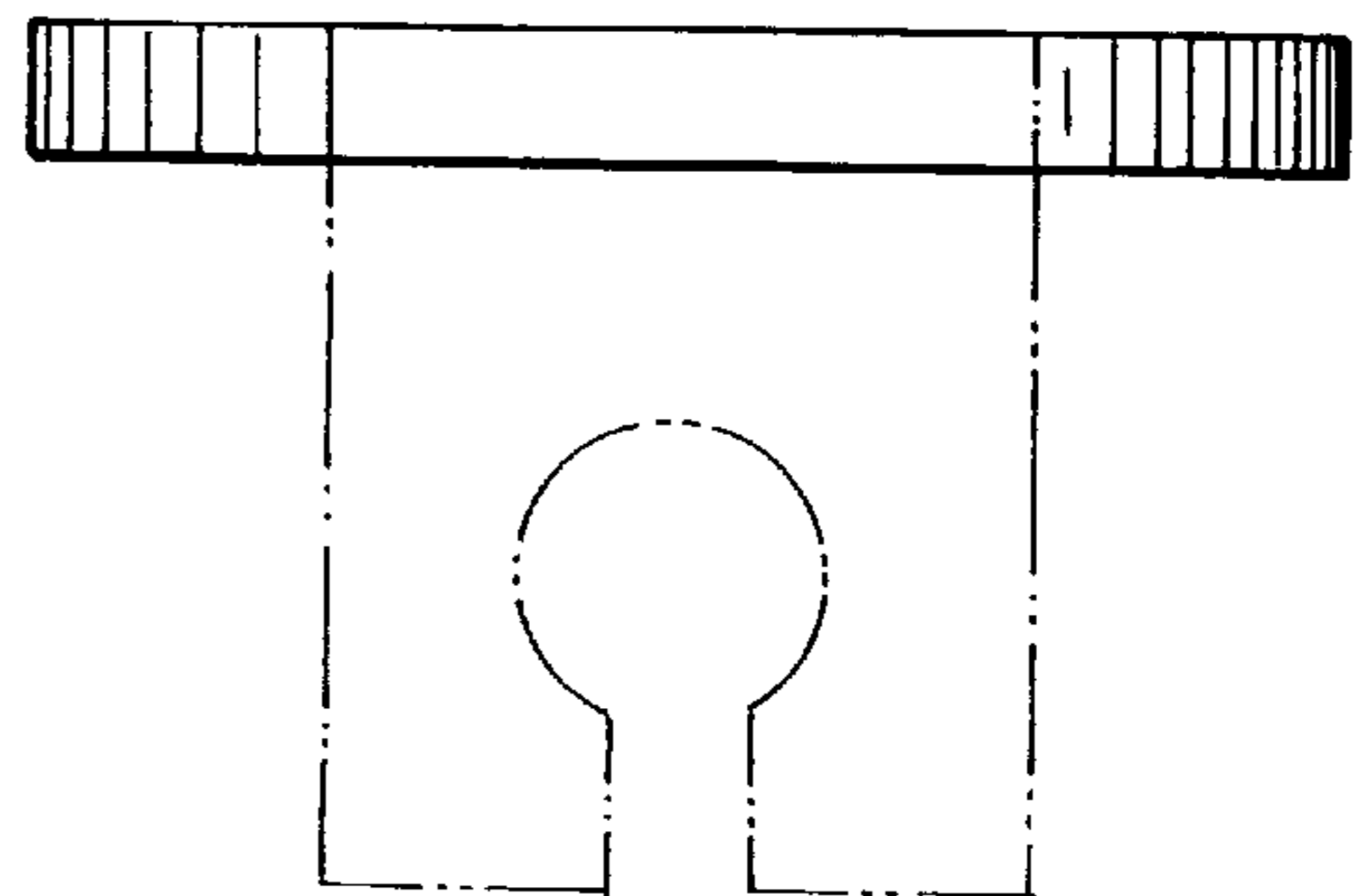


FIG. 11

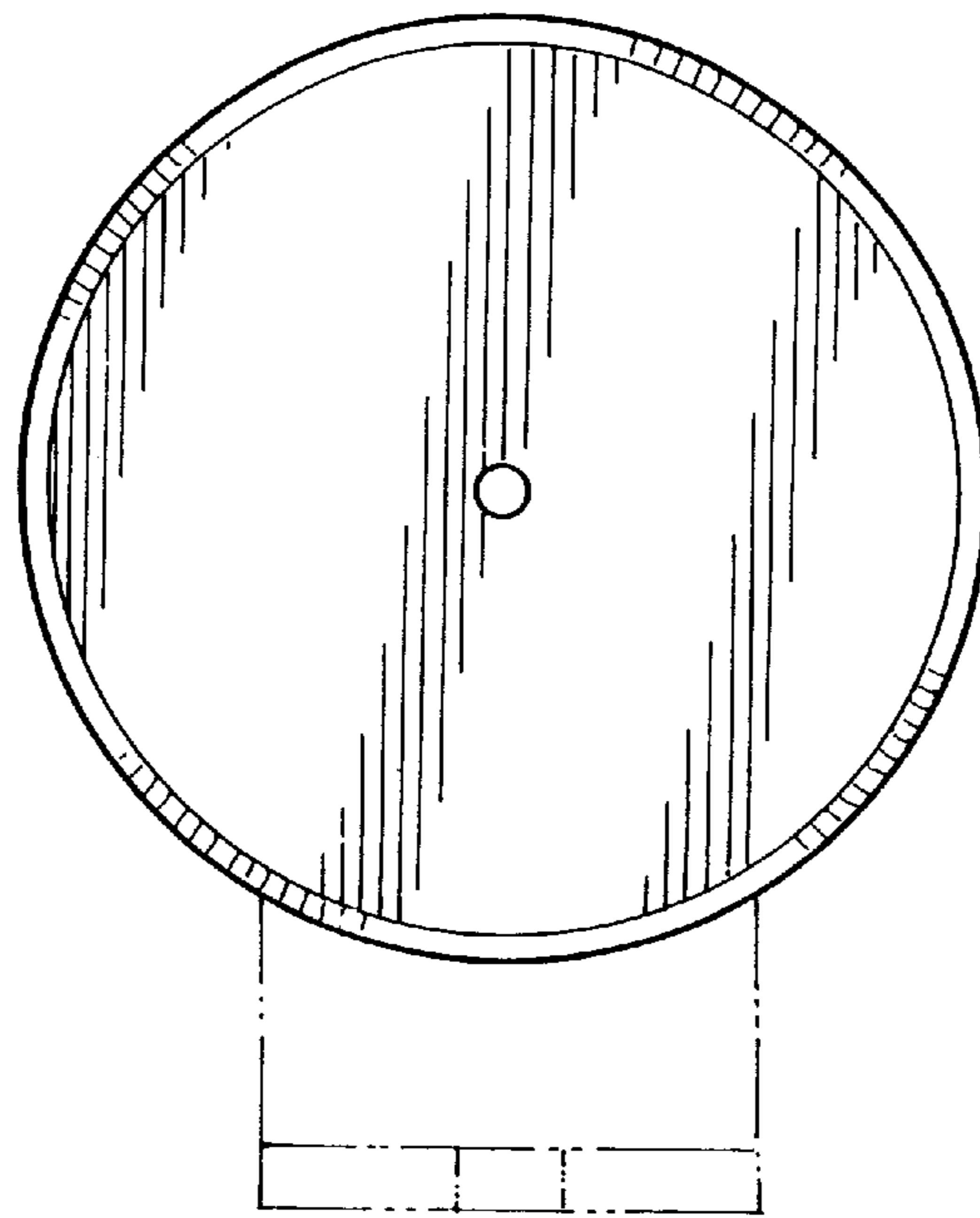


FIG. 12

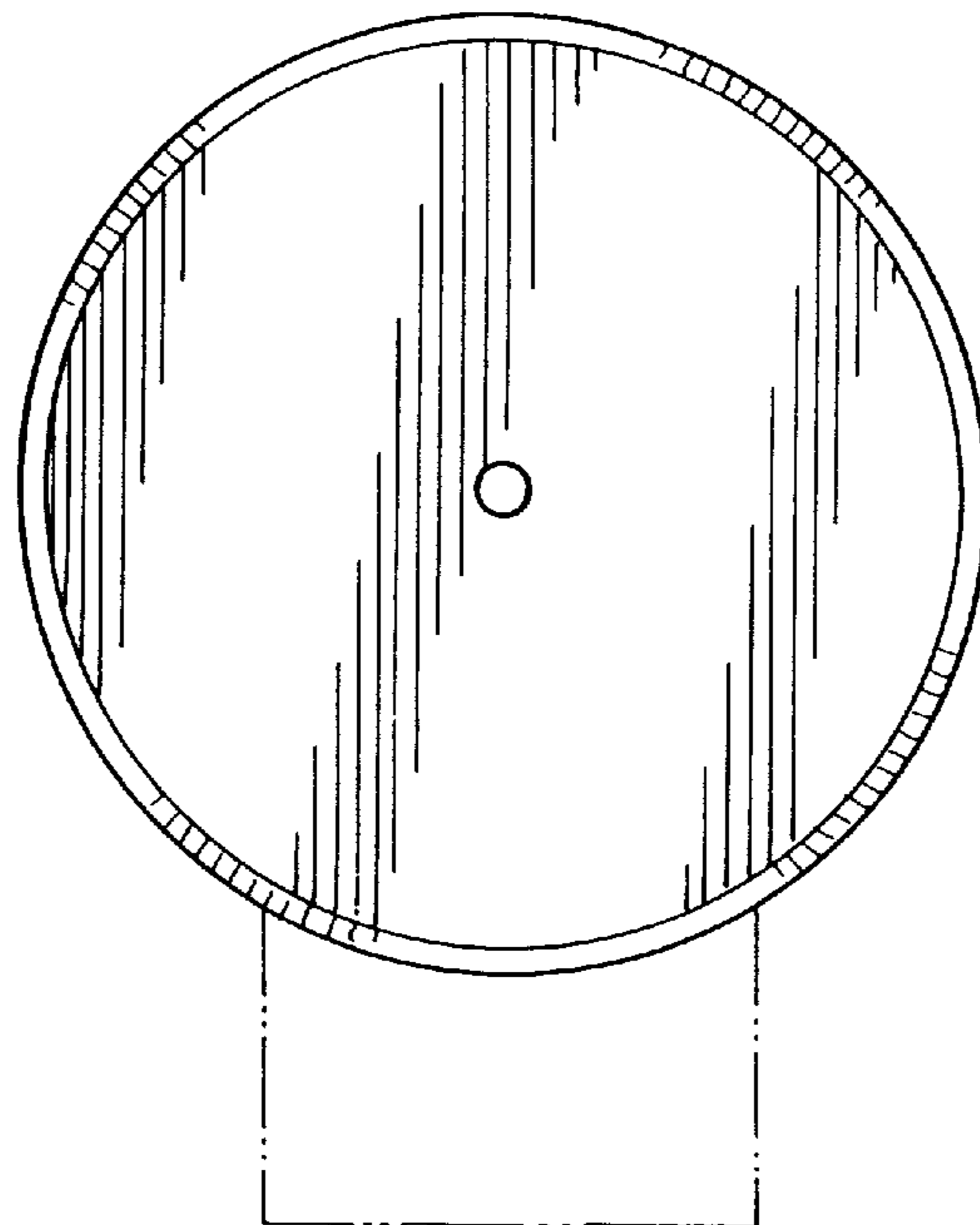


FIG. 13

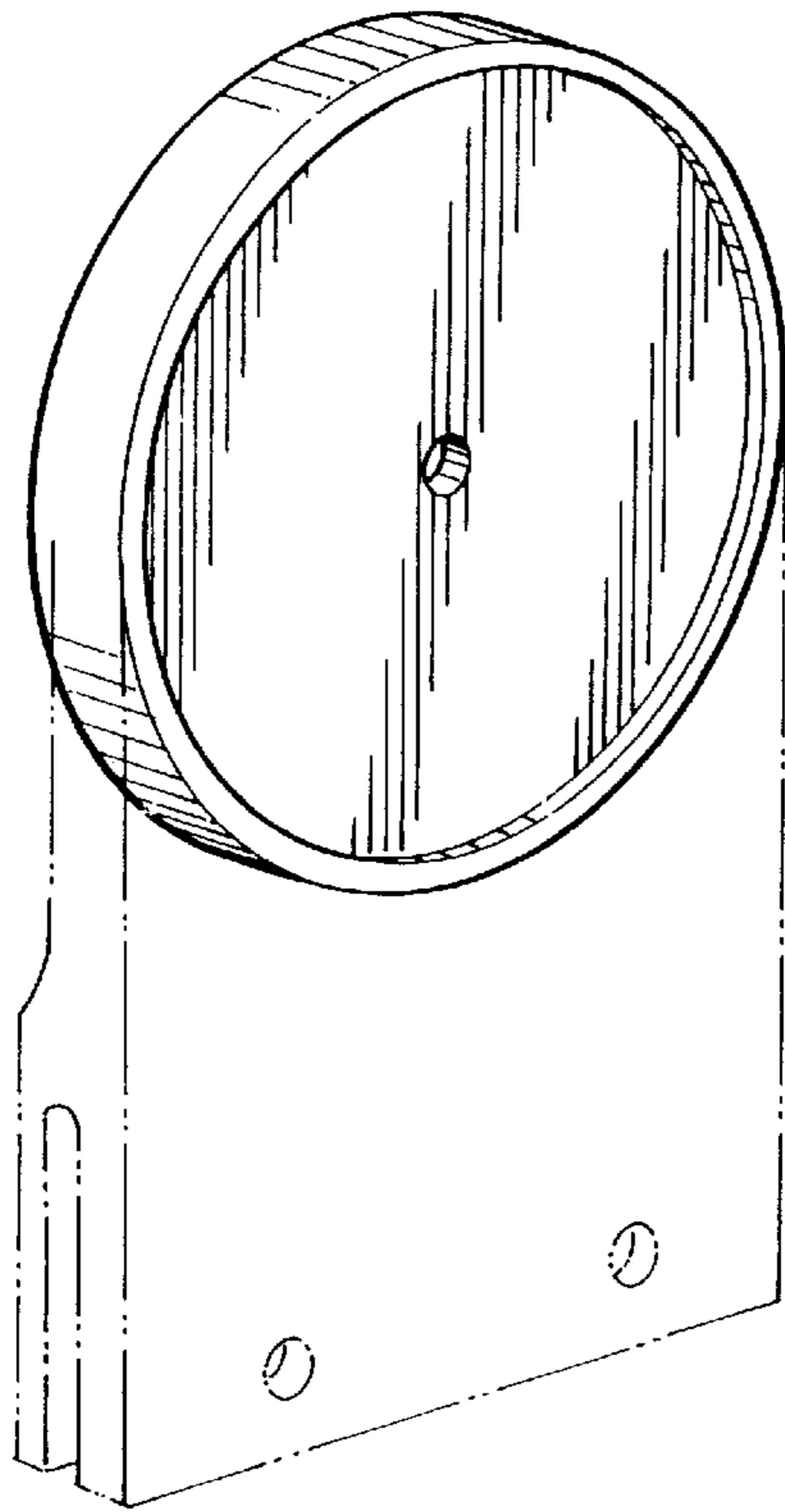


FIG. 14

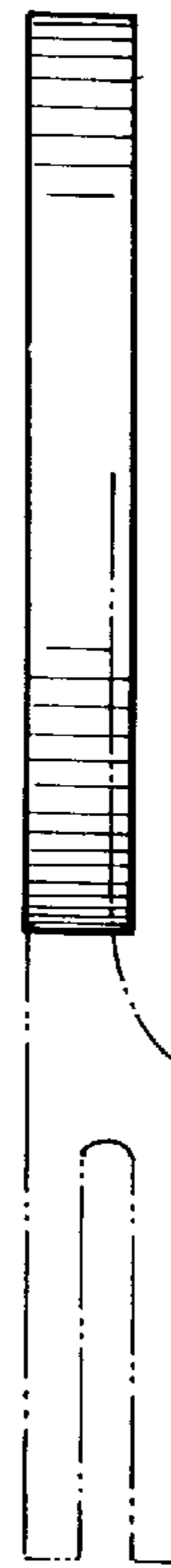


FIG. 15

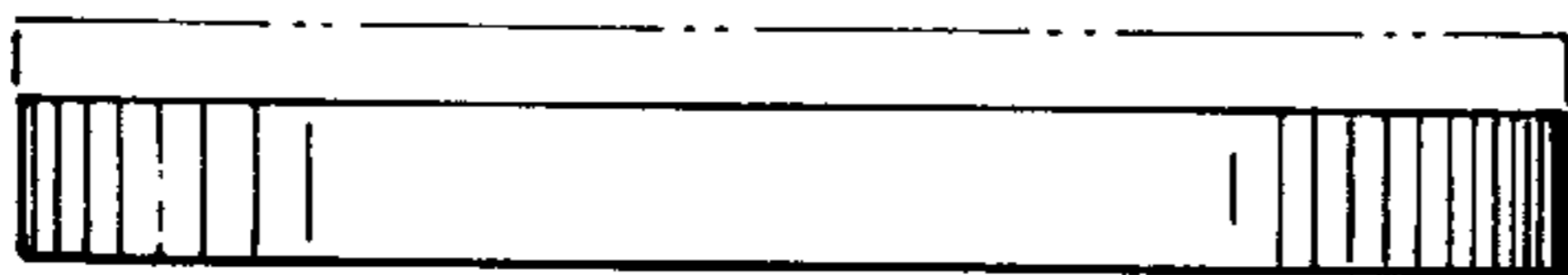


FIG. 16

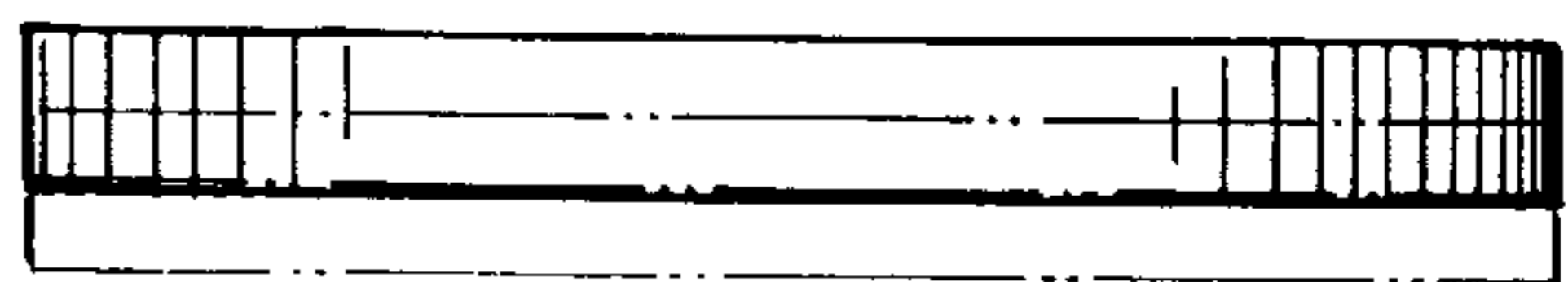


FIG. 17

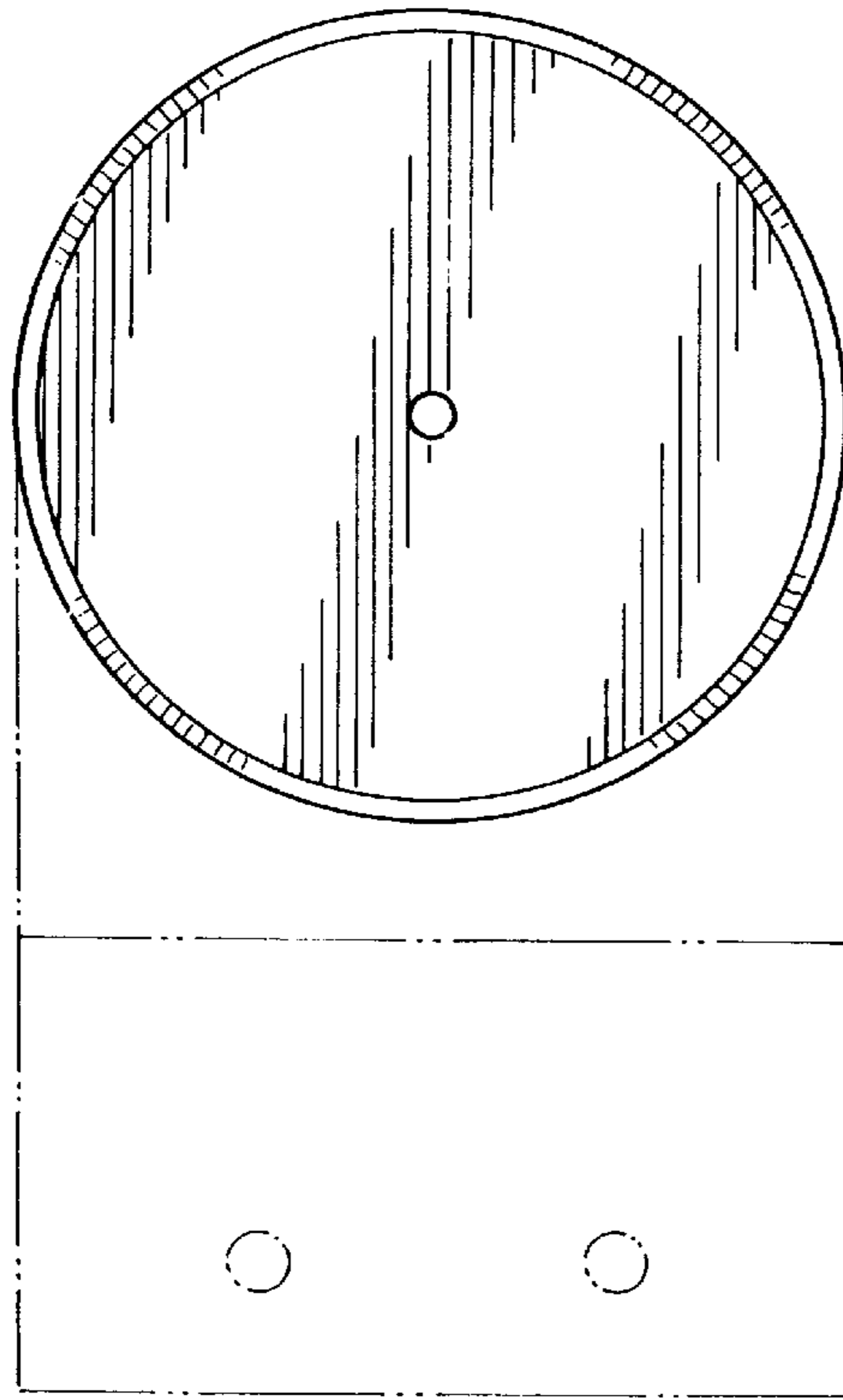


FIG. 18

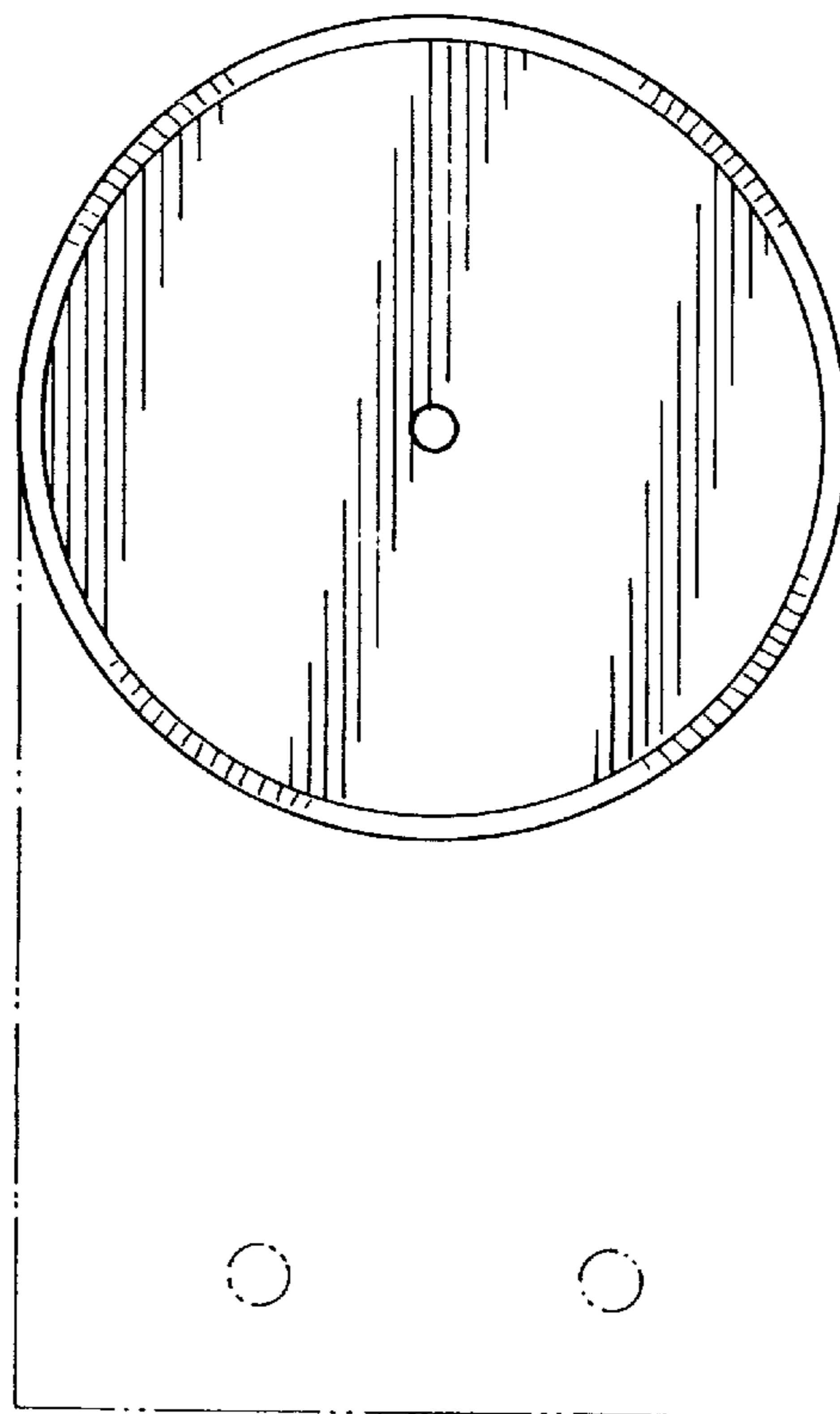


FIG. 19