



US00D437542S

(12) **United States Design Patent**
Mimlitch et al.

(10) **Patent No.:** **US D437,542 S**

(45) **Date of Patent:** **** Feb. 13, 2001**

(54) **LOCK COVER**

4,884,424 * 12/1989 Meyer 70/160 X
5,758,529 * 6/1998 Chhatwal 70/423
5,946,957 * 9/1999 Yamamoto et al. 70/423

(75) Inventors: **Kenneth Mimlitch; J. D. Hamilton,**
both of Lexington; **Raymond**
Reichenbach, Salvisa, all of KY (US);
Brad Hammond, Cincinnati, OH (US)

* cited by examiner

(73) Assignee: **Mas-Hamilton Group,** Lexington, KY
(US)

Primary Examiner—Susan J. Lucas

Assistant Examiner—Jennifer Rivard

(**) Term: **14 Years**

(74) *Attorney, Agent, or Firm*—Arent Fox Kintner Plotkin
& Kahn; Rustan J. Hill

(21) Appl. No.: **29/111,275**

(57) **CLAIM**

The ornamental design for a lock cover, as shown and described.

(22) Filed: **Sep. 23, 1999**

DESCRIPTION

(51) **LOC (7) Cl.** **08-07**

(52) **U.S. Cl.** **D8/346**

(58) **Field of Search** D8/343, 346; 70/158,
70/159, 160, 423, 424, 425, 426, 455, 51,
54, 55, 56

FIG. 1 is an isometric view of a lock cover showing the new design.

FIG. 2 is a top view thereof;

FIG. 3 is a front elevation view thereof;

FIG. 4 is a left side elevation view thereof; and,

FIG. 5 is a right side elevation view thereof.

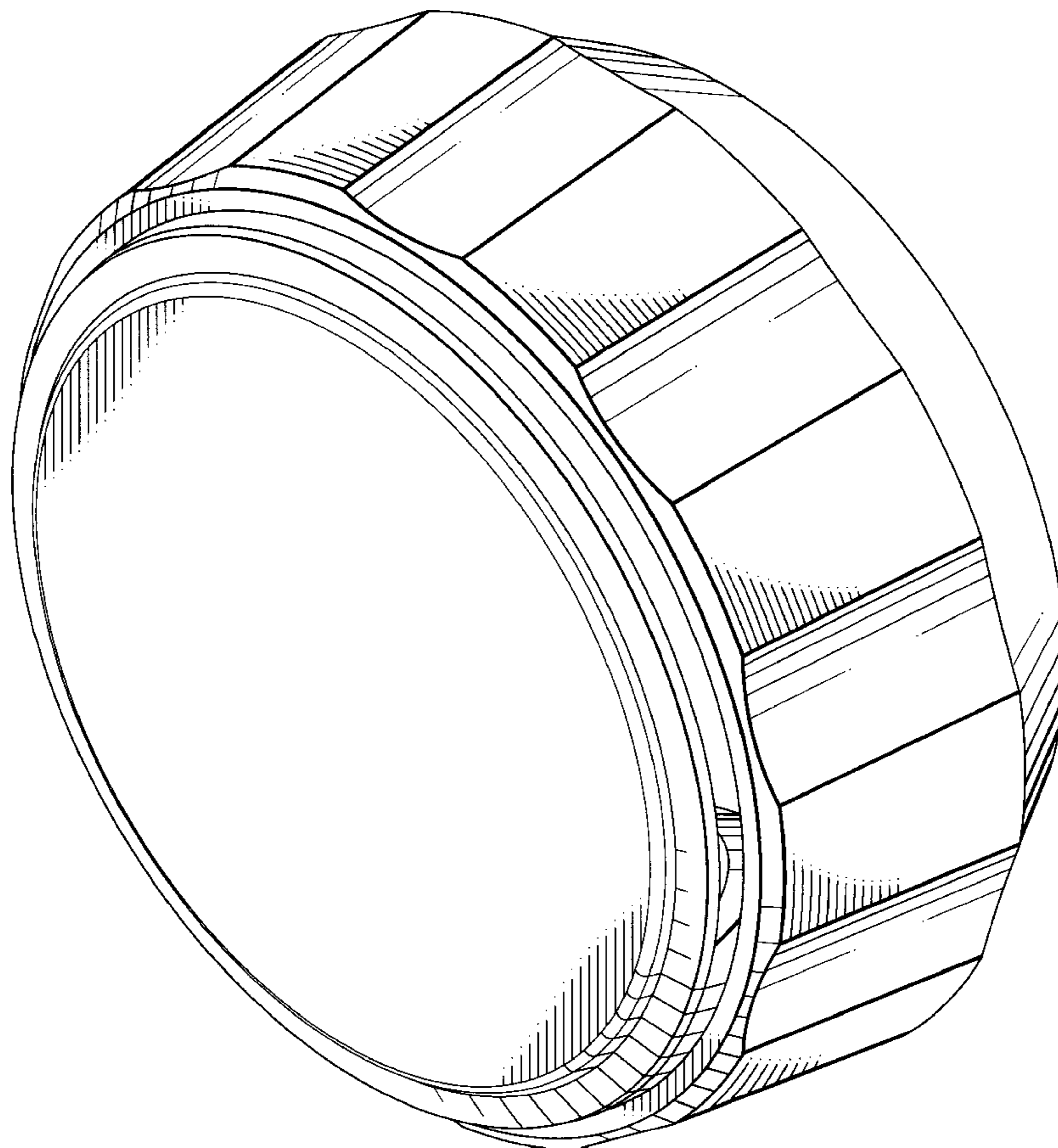
The surface of the article not shown in the drawing or described in the specification forms no part of the claimed design.

(56) **References Cited**

U.S. PATENT DOCUMENTS

- D. 366,823 * 2/1996 Heald D8/346
- D. 372,417 * 8/1996 Jimenez D8/343
- D. 397,026 * 8/1998 Drake D8/346

1 Claim, 3 Drawing Sheets



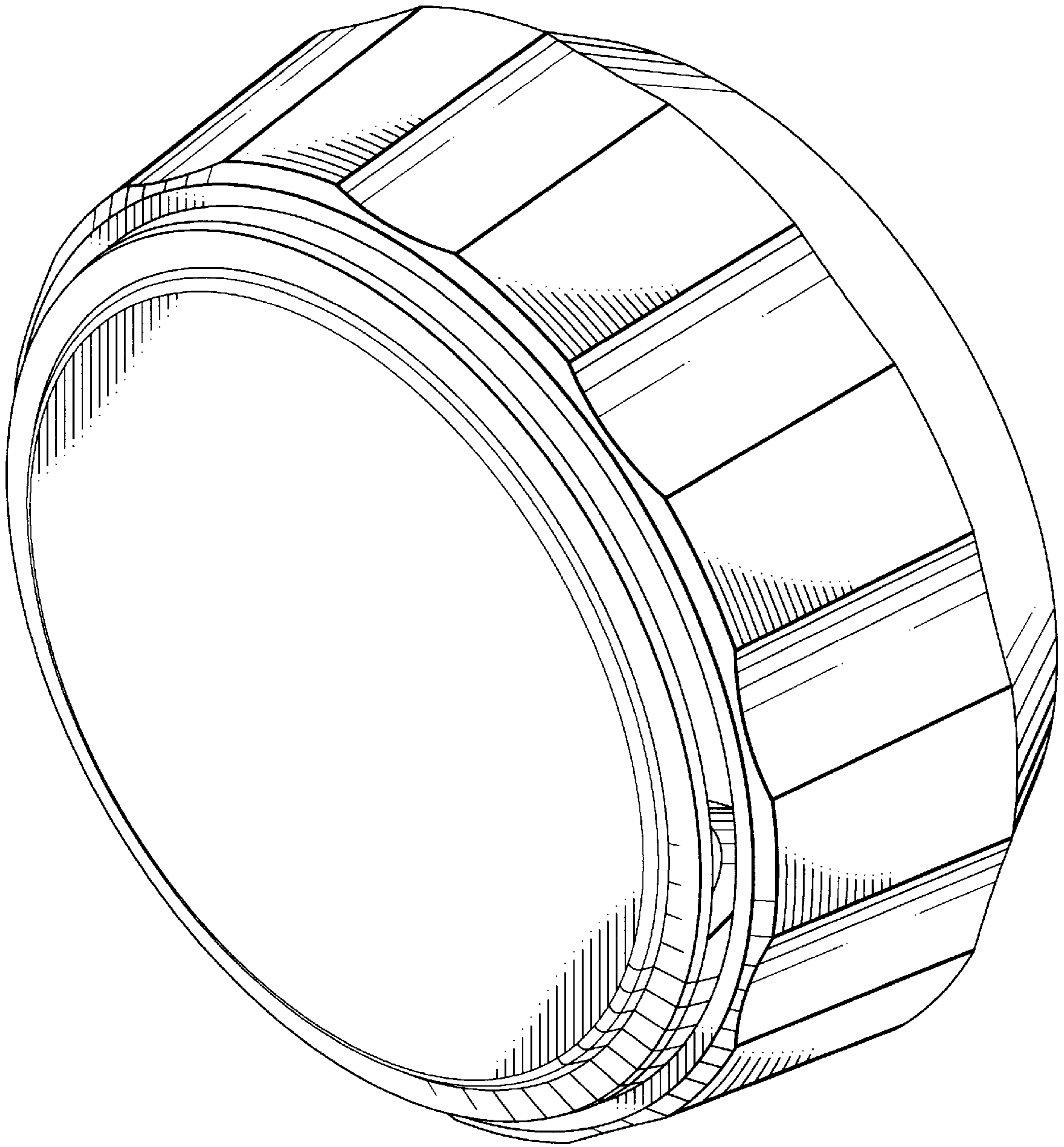


FIG. 1

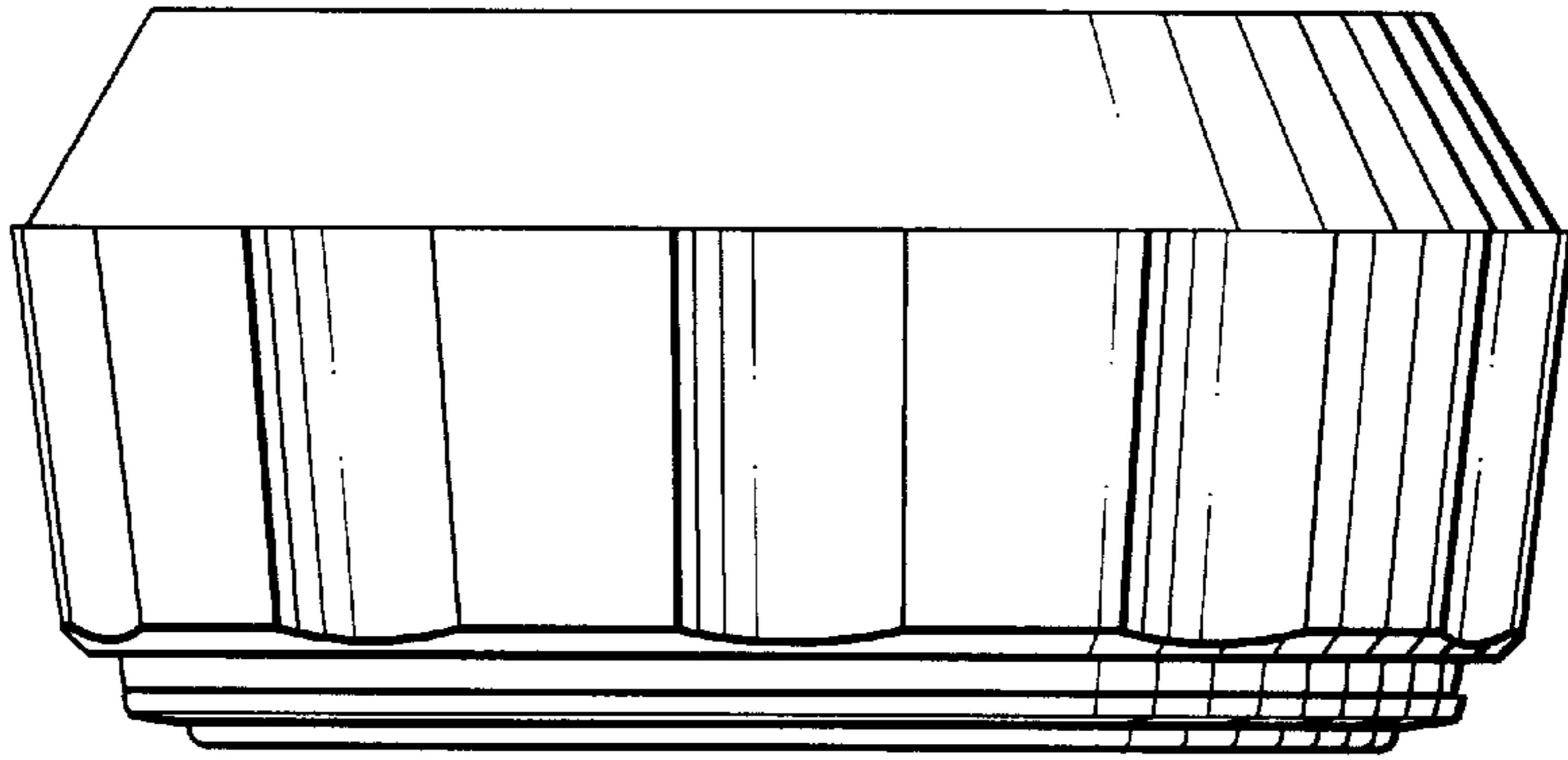


FIG. 2

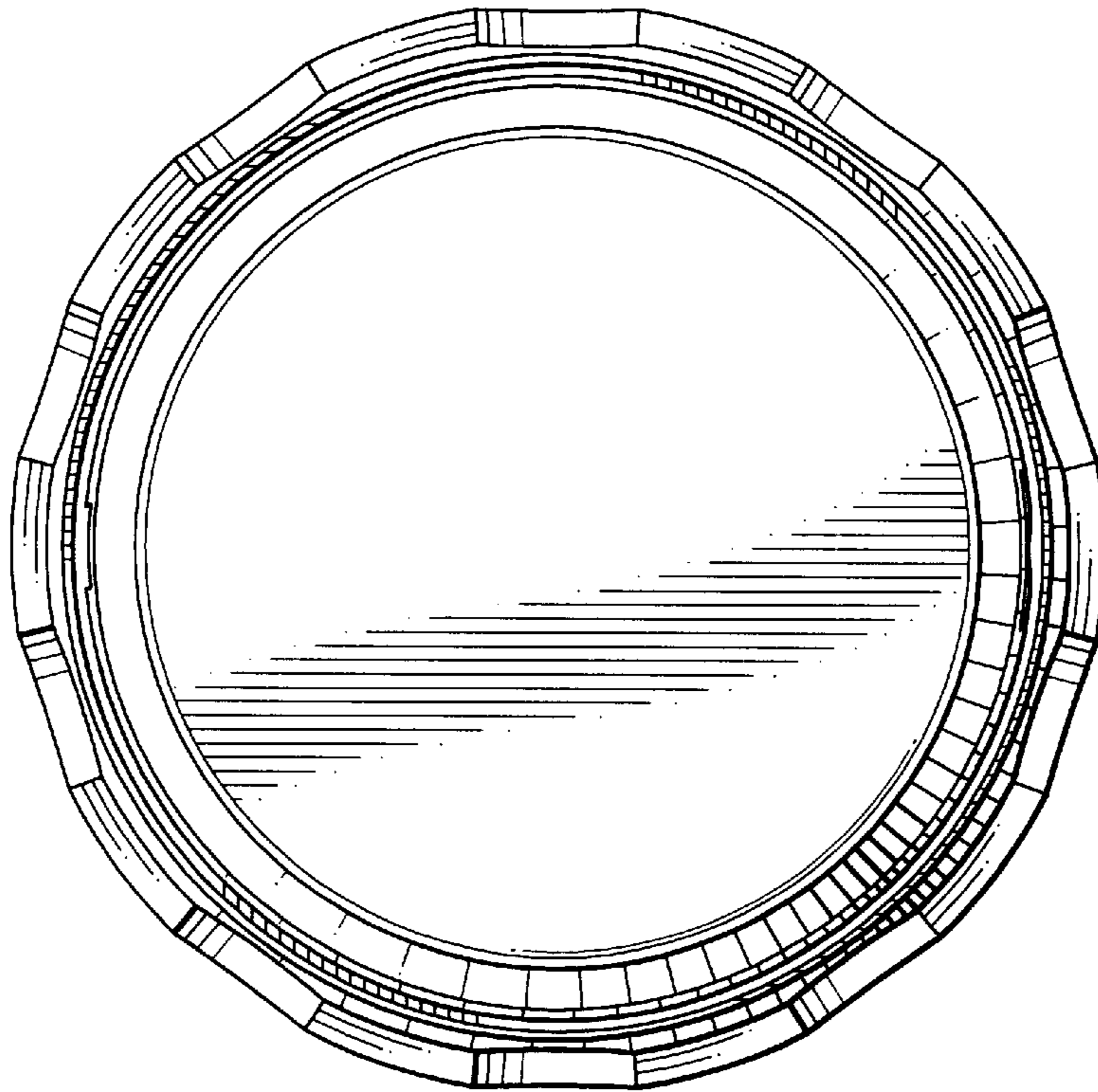


FIG. 3

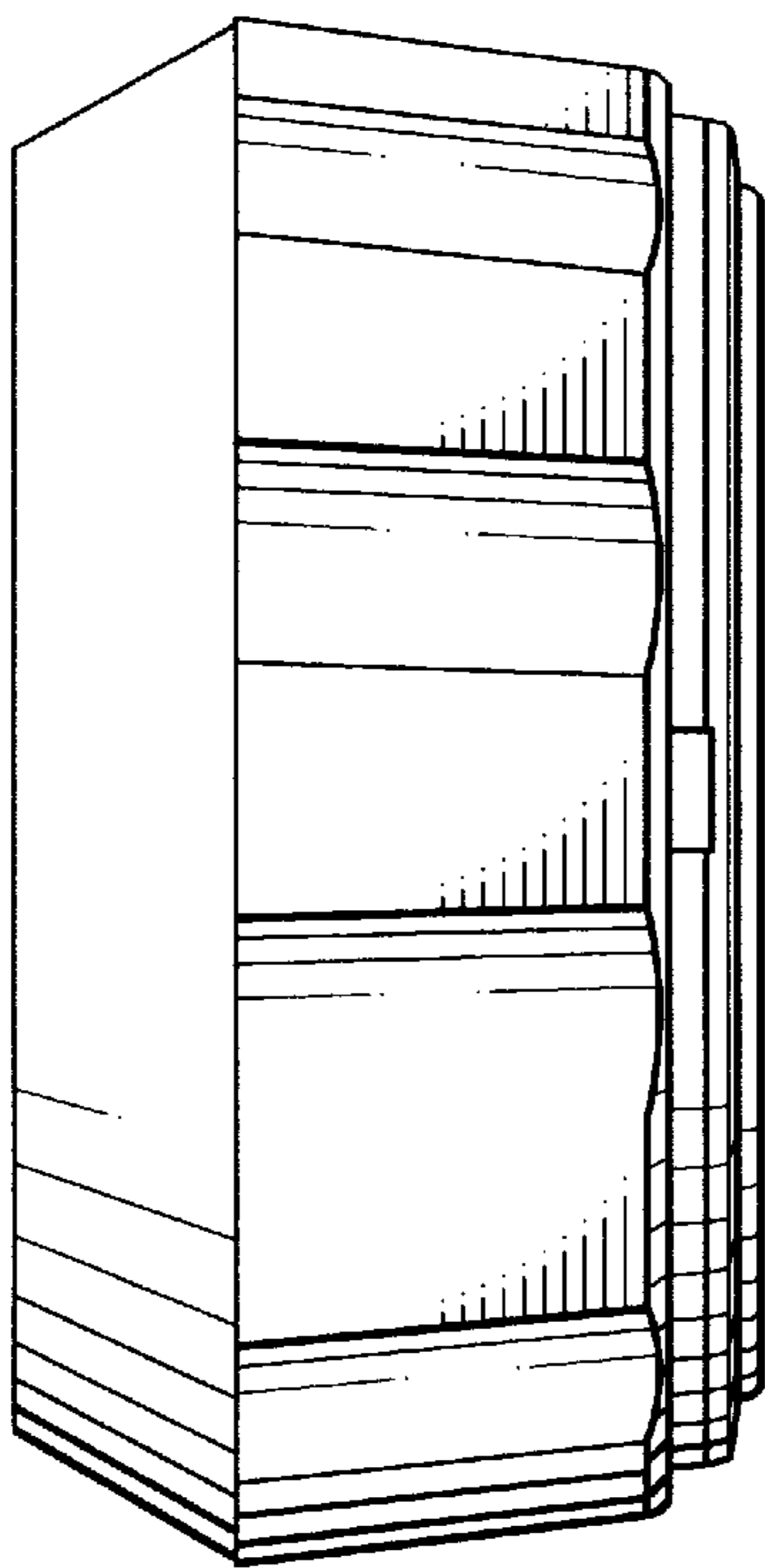


FIG. 4

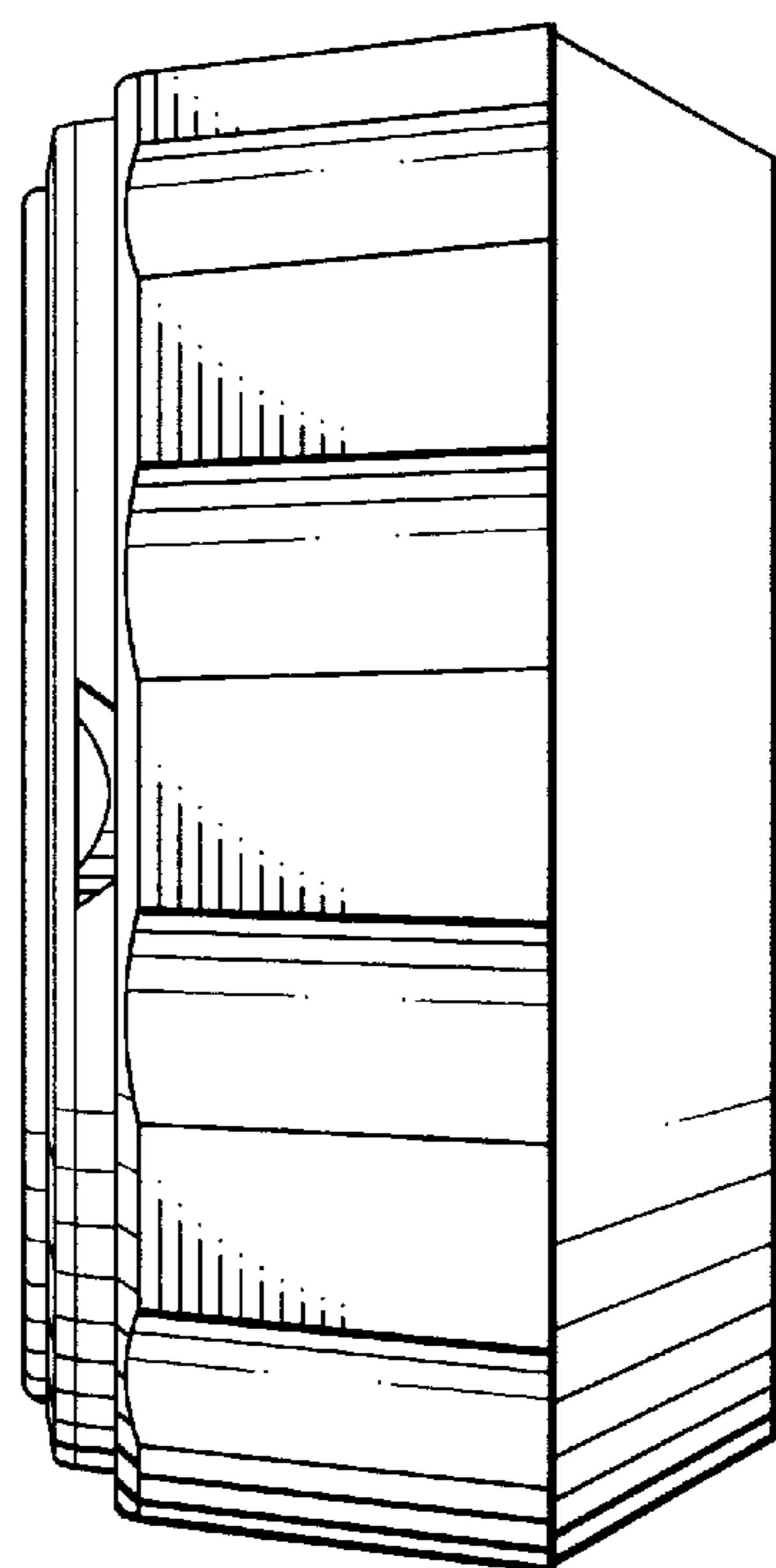


FIG. 5