



US00D437541S

(12) **United States Design Patent**  
**Hermansen et al.**

(10) **Patent No.:** **US D437,541 S**  
(45) **Date of Patent:** **\*\* Feb. 13, 2001**

(54) **MULTI-TOOL DEVICE**

(76) Inventors: **Frank Hermansen**, 21542 Ann's La.;  
**Carl Winefordner**, 644-A Glenneyre  
St., both of Laguna Beach, CA (US)  
92651

(\*\*) Term: **14 Years**

(21) Appl. No.: **29/129,276**

(22) Filed: **Sep. 8, 2000**

(51) **LOC (7) Cl.** ..... **08-05**

(52) **U.S. Cl.** ..... **D8/105; D8/26**

(58) **Field of Search** ..... D8/105, 26, 99,  
D8/55, 81, 87, 107; 30/161, 164, 153; 7/118,  
125-135, 138, 143, 164, 170; 81/177.1,  
177.2, 440, 177.6, 427.5

(56) **References Cited**

**U.S. PATENT DOCUMENTS**

D. 156,677	*	12/1949	Smith	.....	D8/21
D. 168,900	*	2/1953	Lutsker	.....	D8/22
D. 332,384	*	1/1993	Dague	.....	D8/105
D. 342,433	*	12/1993	Sorenson	.....	D8/107
D. 382,190	*	8/1997	Blackston et al.	.....	D8/107
D. 427,875	*	7/2000	Chiu	.....	D8/105
2,804,970	*	9/1957	Kuc et al.	.....	7/138 X
4,759,645	*	7/1988	Kuo	.....	384/396
5,320,004	*	6/1994	Hsiao	.....	81/440

5,450,774	*	9/1995	Chang	.....	81/440
5,711,042	*	1/1998	Chuang	.....	7/138
5,791,211	*	8/1998	Bondhus et al.	.....	81/440
5,970,828	*	10/1999	Bondhus et al.	.....	81/440
6,092,444	*	7/2000	Hsiao	.....	81/440
6,119,560	*	9/2000	Anderson et al.	.....	81/440
6,128,981	*	10/2000	Bondhus et al.	.....	81/440

\* cited by examiner

*Primary Examiner*—Jeffrey Asch

(57) **CLAIM**

The ornamental design for a multi-tool device, as shown and described.

**DESCRIPTION**

FIG. 1 is a front perspective view of a multi-tool device, showing our new design on an enlarged scale with respect to FIGS. 2-9;

FIG. 2 is a left side view thereof;

FIG. 3 is a front view thereof;

FIG. 4 is a right side view thereof;

FIG. 5 is a top view thereof;

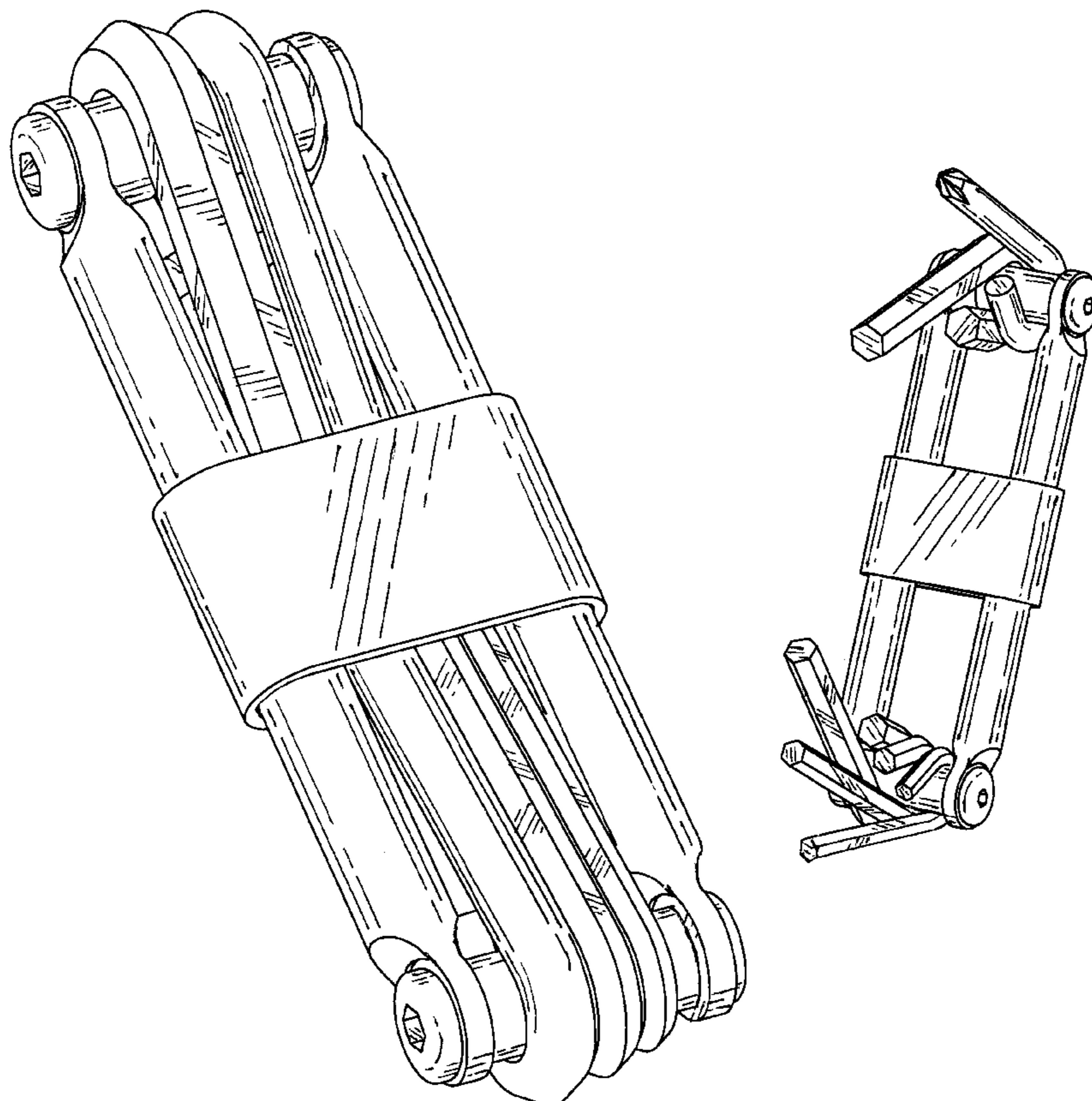
FIG. 6 is a rear view thereof;

FIG. 7 is a bottom view thereof;

FIG. 8 is a front perspective view of our new design, showing various tools thereof in extended orientation; and,

FIG. 9 is a rear perspective view of our new design, showing various tools thereof in extended orientation.

**1 Claim, 4 Drawing Sheets**



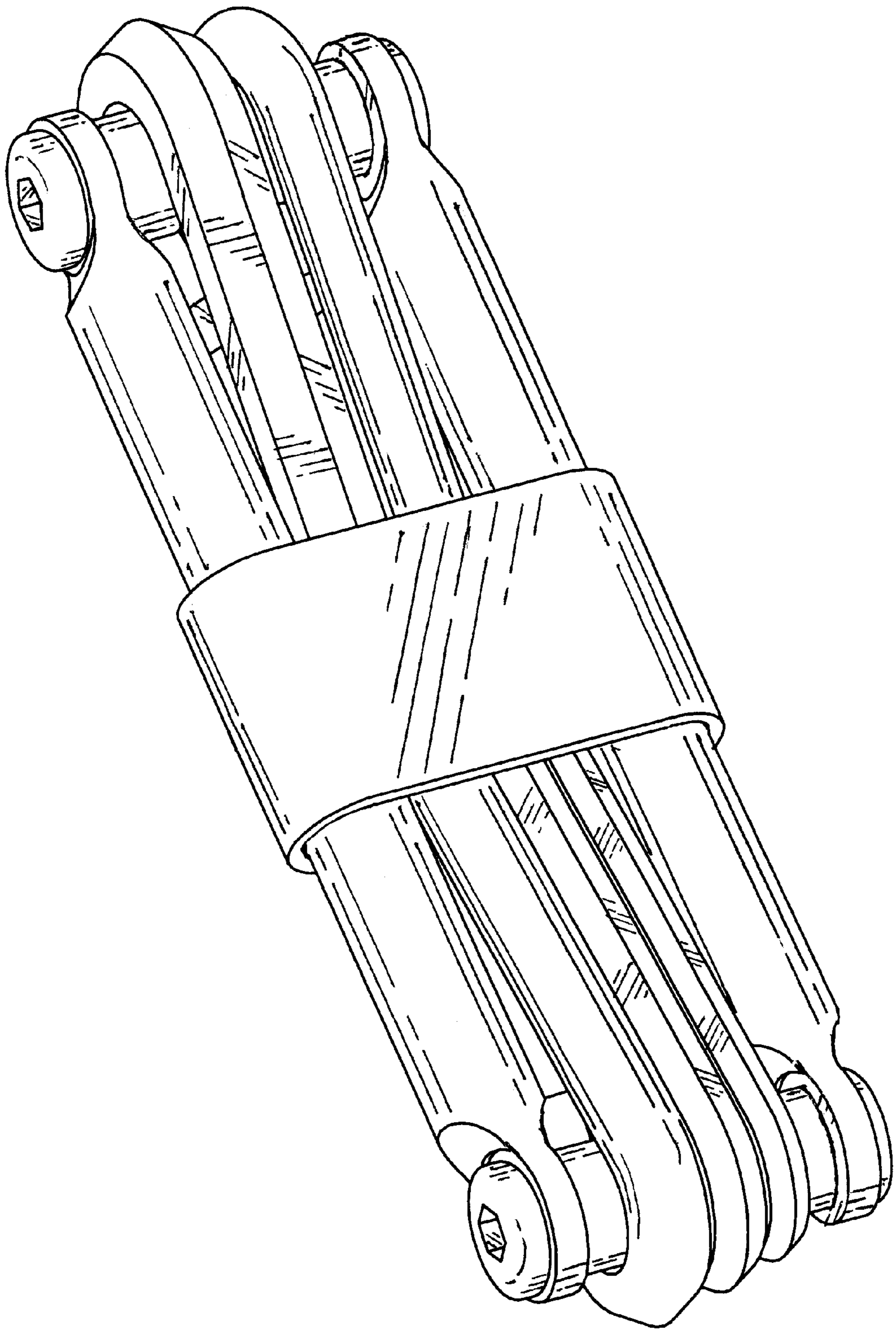


FIG. 1

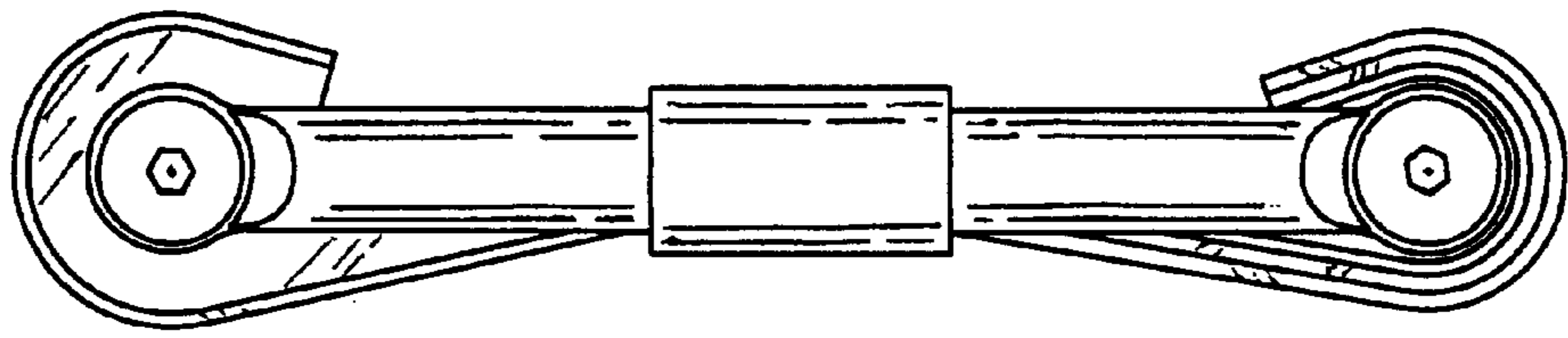


FIG. 2

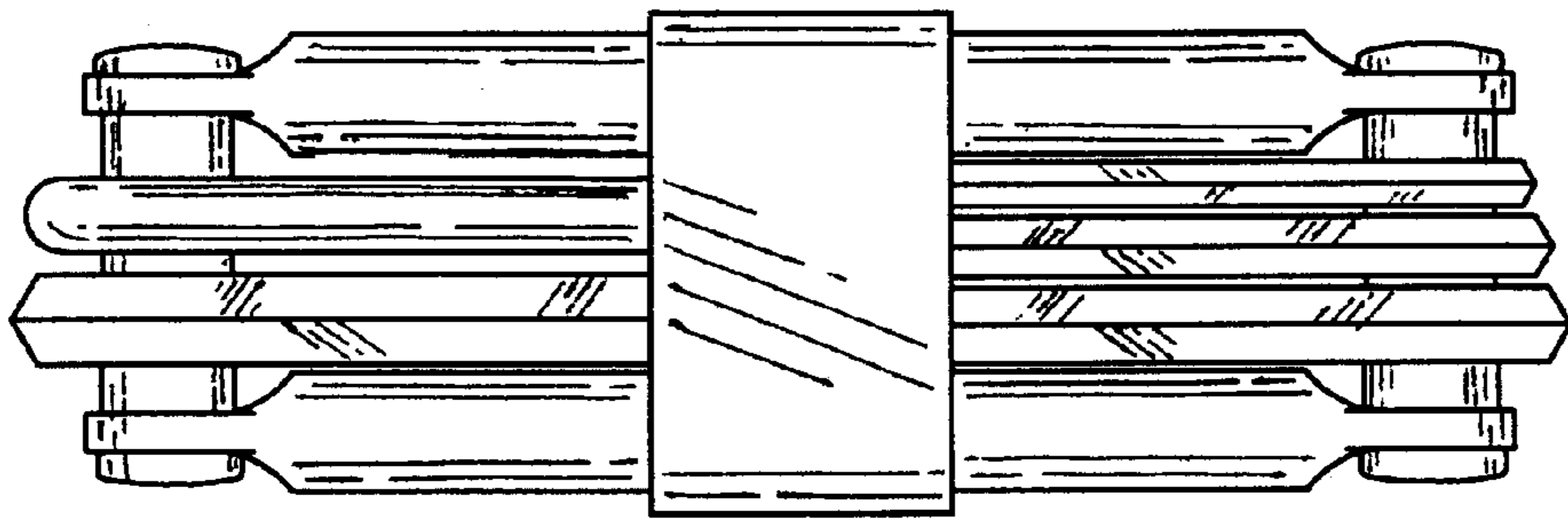


FIG. 3

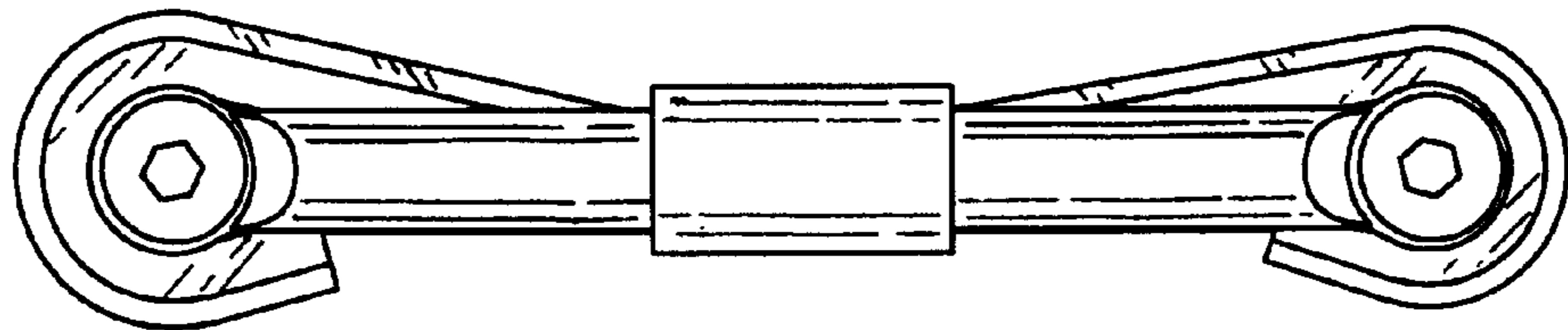


FIG. 4

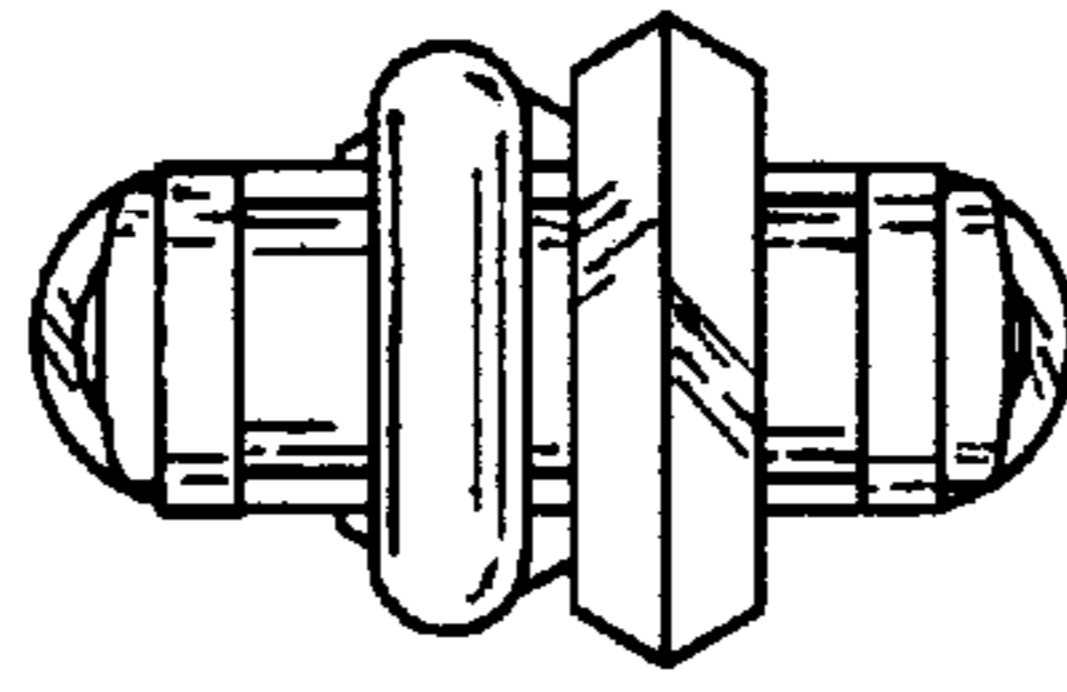


FIG. 5

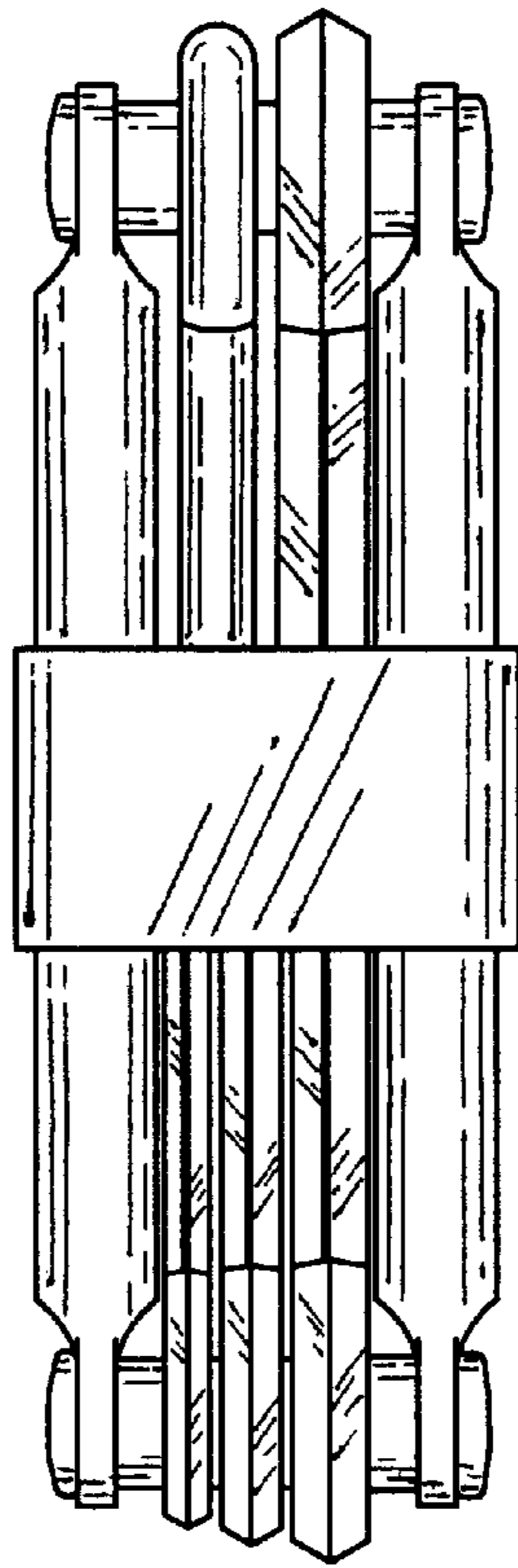


FIG. 6

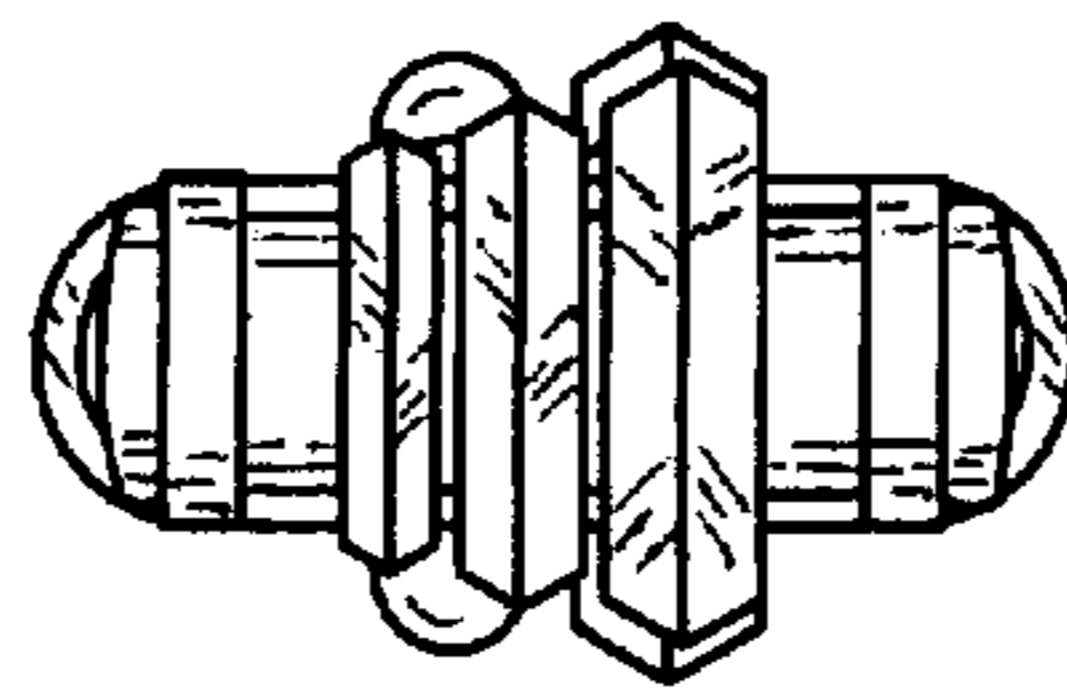


FIG. 7

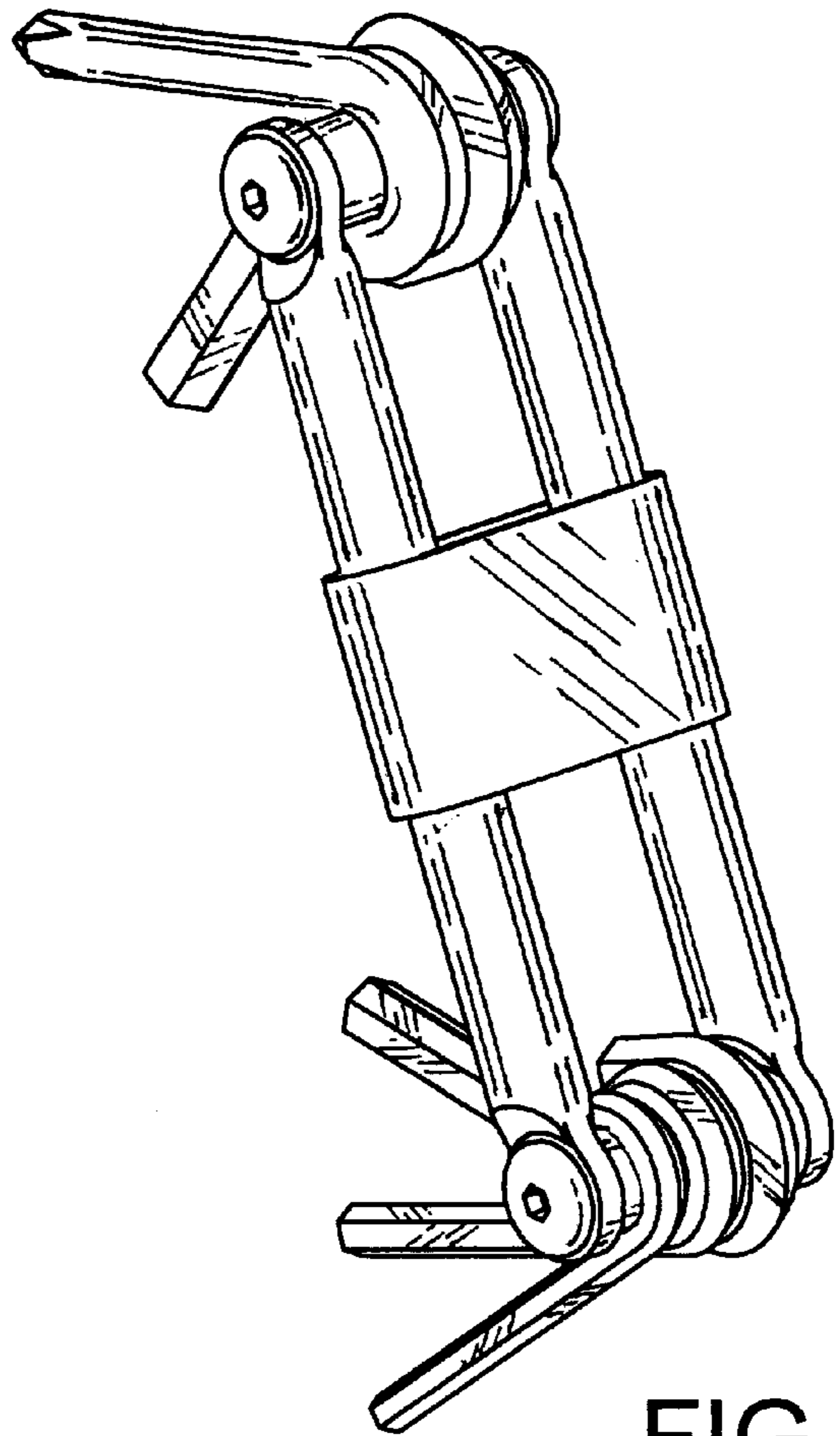


FIG. 8

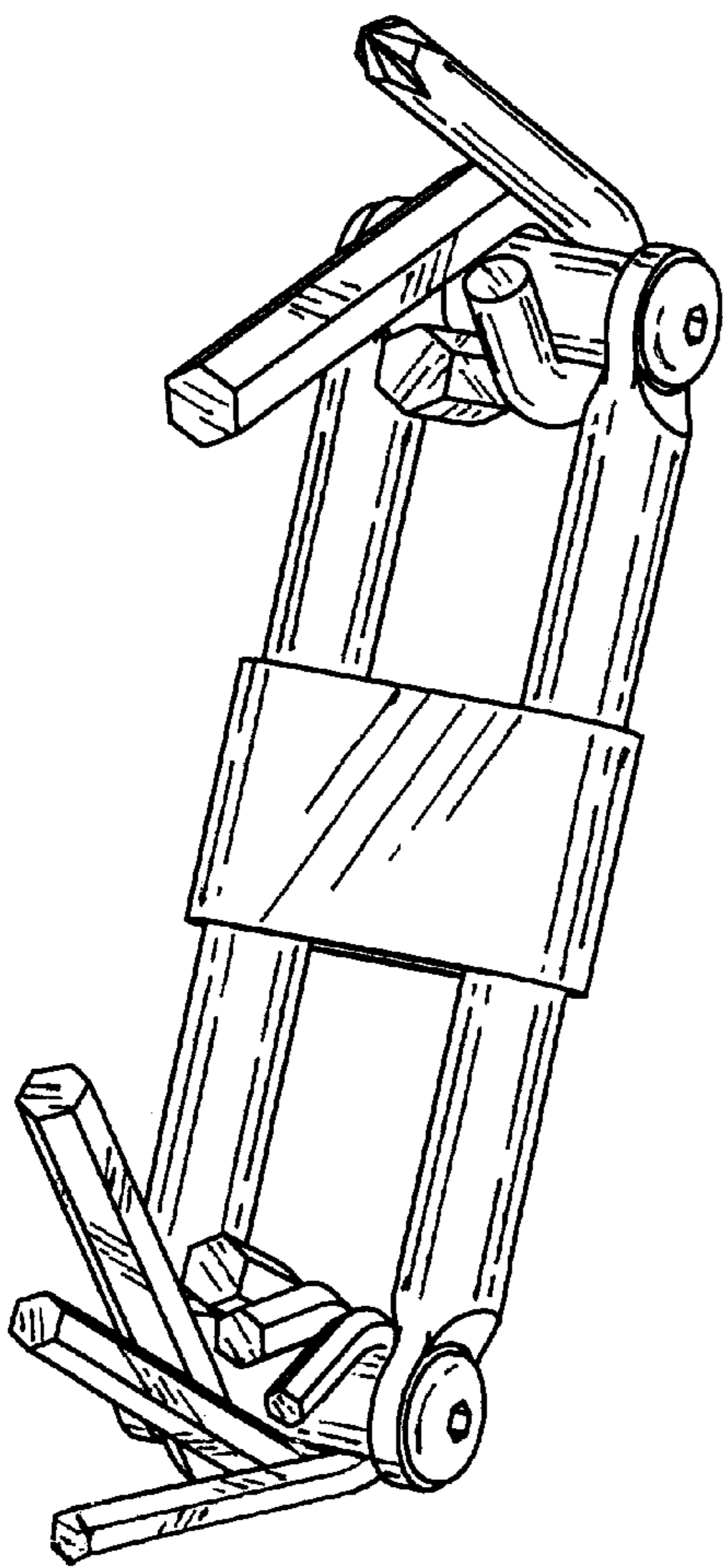


FIG. 9