



US00D437539S

(12) **United States Design Patent**
Kilmer

(10) **Patent No.:** **US D437,539 S**

(45) **Date of Patent:** **** Feb. 13, 2001**

(54) **WIRE WRAP TOOL**

(75) Inventor: **Paul R. Kilmer**, Cheraw, SC (US)

(73) Assignee: **Cooper Industries, Inc.**, Houston, TX (US)

(**) Term: **14 Years**

(21) Appl. No.: **29/028,755**

(22) Filed: **Sep. 22, 1994**

(51) **LOC (7) Cl.** **08-05**

(52) **U.S. Cl.** **D8/68**

(58) **Field of Search** D8/14.1, 44, 61,
D8/68; D15/145; 72/64, 299; 81/57.13,
57.14, 478, 480; 140/122, 124, 149

(56) **References Cited**

U.S. PATENT DOCUMENTS

D. 240,498	*	7/1976	Foltz	D8/68
D. 298,207	*	10/1988	Kilmer et al.	D8/68
D. 313,736	*	1/1991	Boliver et al.	D8/14.1
D. 324,801	*	3/1992	Caskey et al.	D8/68
D. 333,079	*	2/1993	Mikiya	D8/68
4,633,921	*	1/1987	Kilmer	140/124
4,751,452	*	6/1988	Kilmer et al.	320/2

OTHER PUBLICATIONS

Speed-Wrap® wire wrapper Model EW-7D and EW-8, OK Machine & Tool Corporation Catalog 80-36N, 1980, p. 17.*
Milwaukee Model #0234-1 reversing Magnum™ Hole Shooter, Tool Crib of the North 1991-92 Catalog, 1992, p. 37.*

* cited by examiner

Primary Examiner—Alan P. Douglas

Assistant Examiner—Robert M. Spear

(74) *Attorney, Agent, or Firm*—Coats & Bennett, P.L.L.C.

(57) **CLAIM**

The ornamental design for a wire wrap tool, as shown and described.

DESCRIPTION

FIG. 1 is a left-front perspective view of the Wire Wrap Tool showing my new design;

FIG. 2 is a left side elevational view thereof;

FIG. 3 is a right side elevational view thereof;

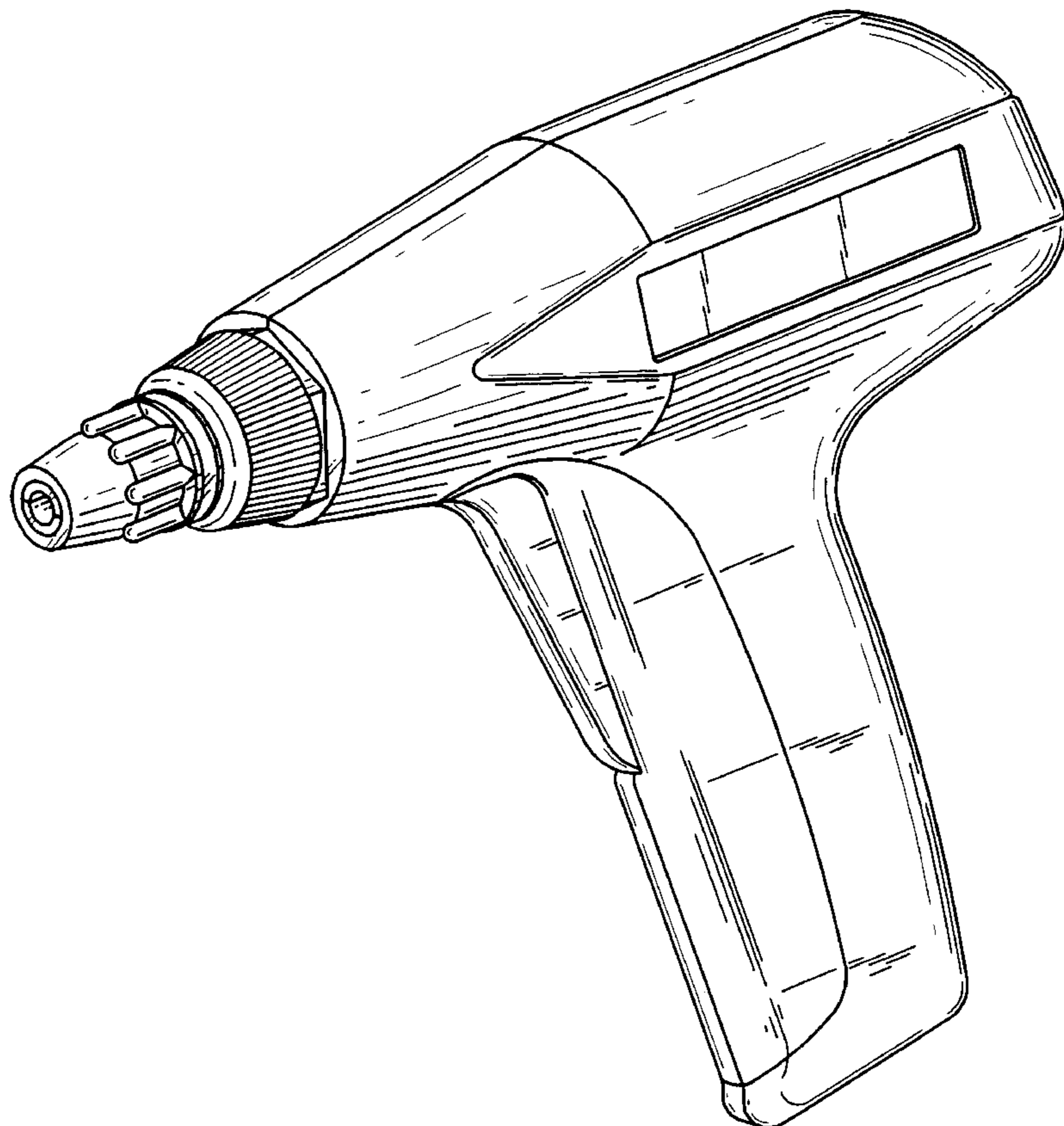
FIG. 4 is a front elevational view thereof;

FIG. 5 is a rear elevational view thereof;

FIG. 6 is a bottom plane view thereof; and,

FIG. 7 is a top plane view thereof.

1 Claim, 3 Drawing Sheets



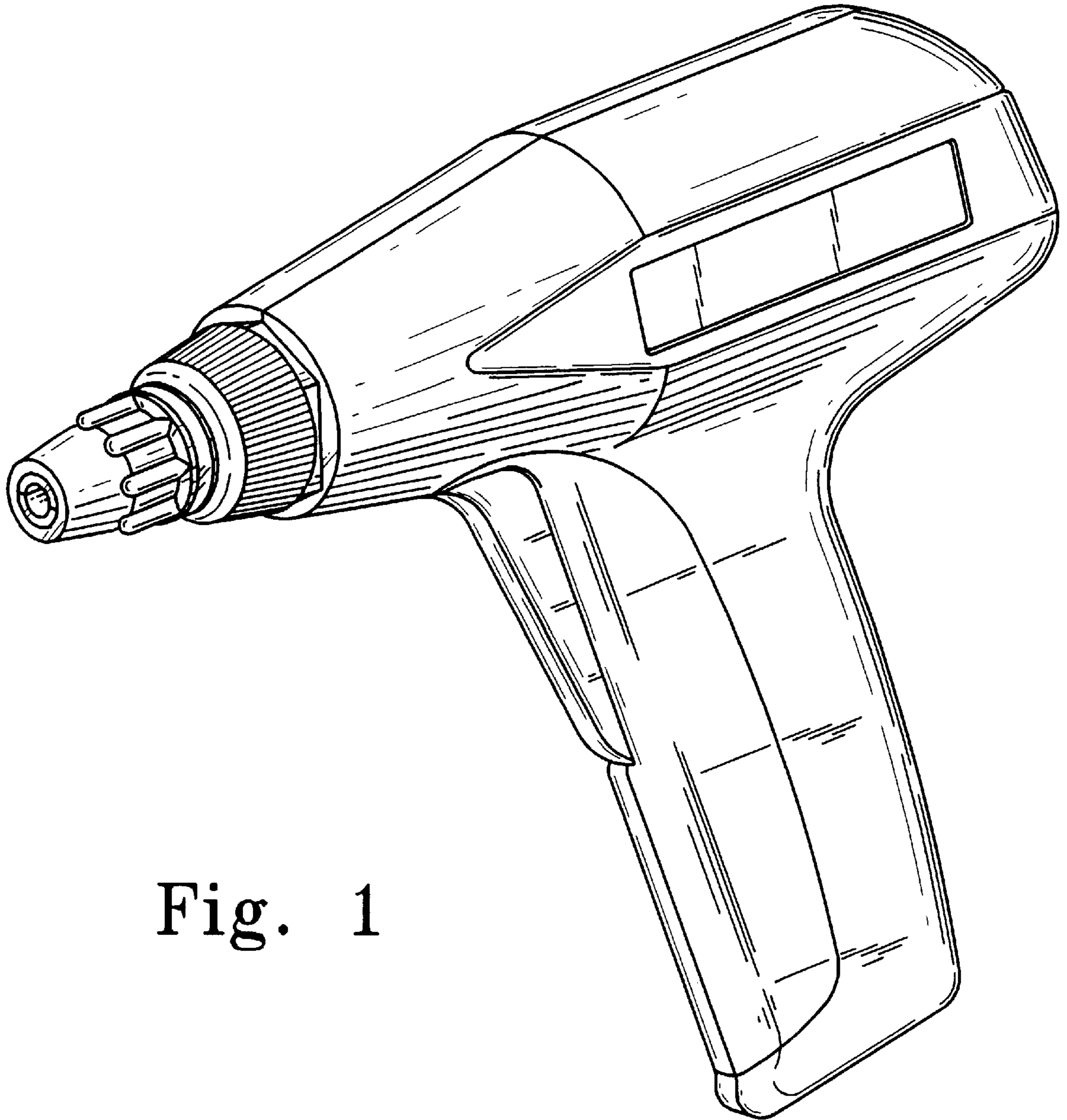


Fig. 1

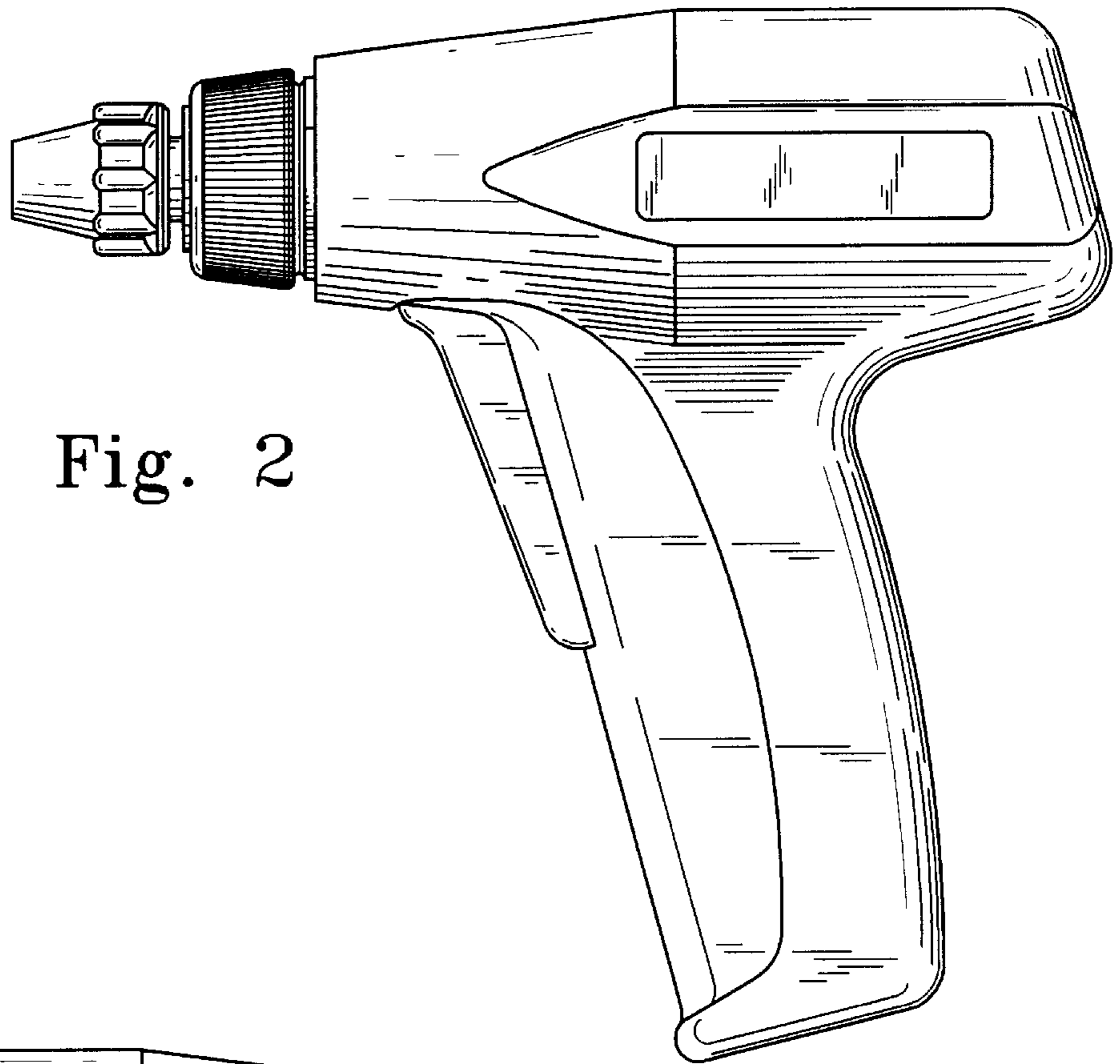


Fig. 2

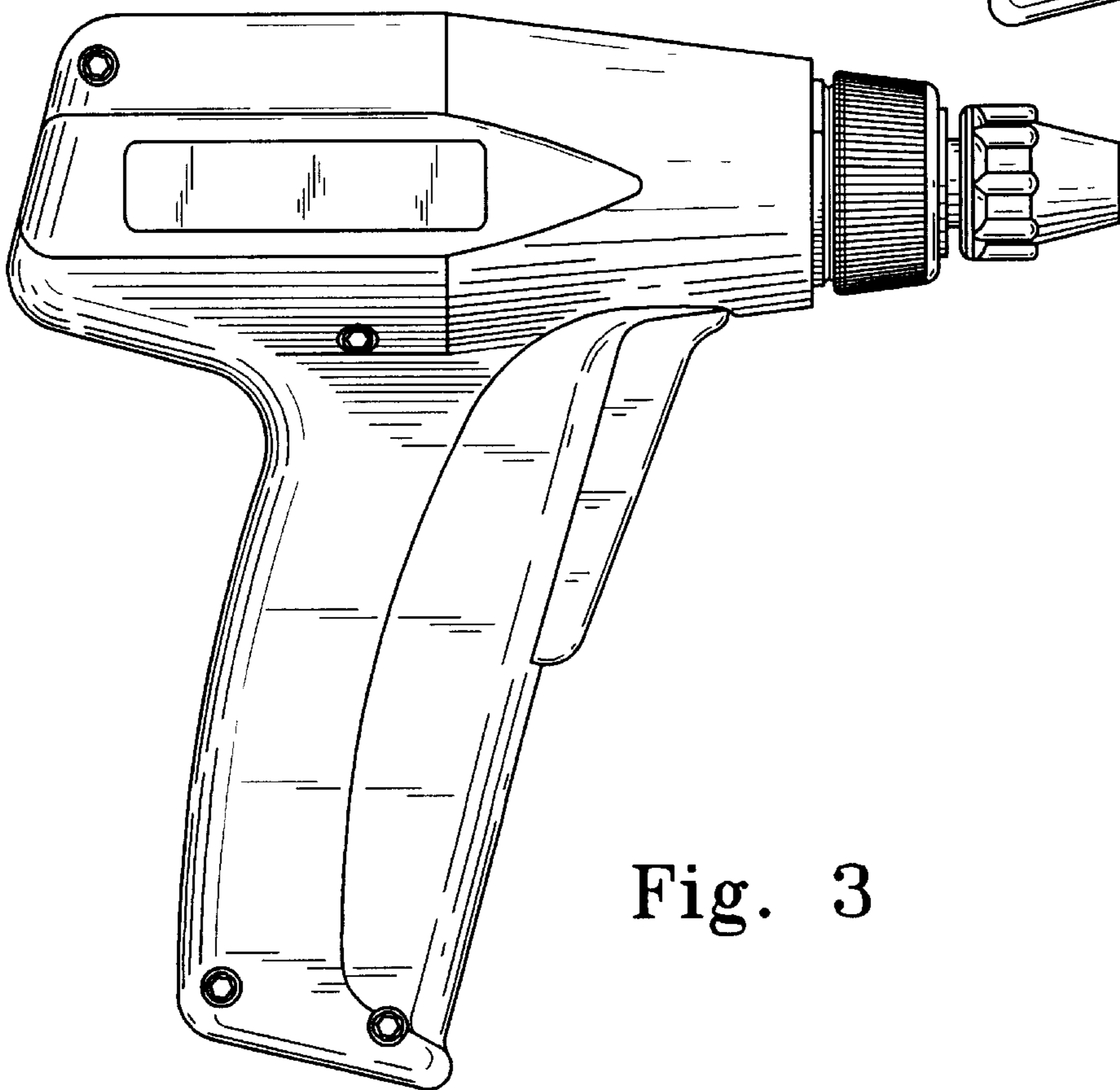


Fig. 3

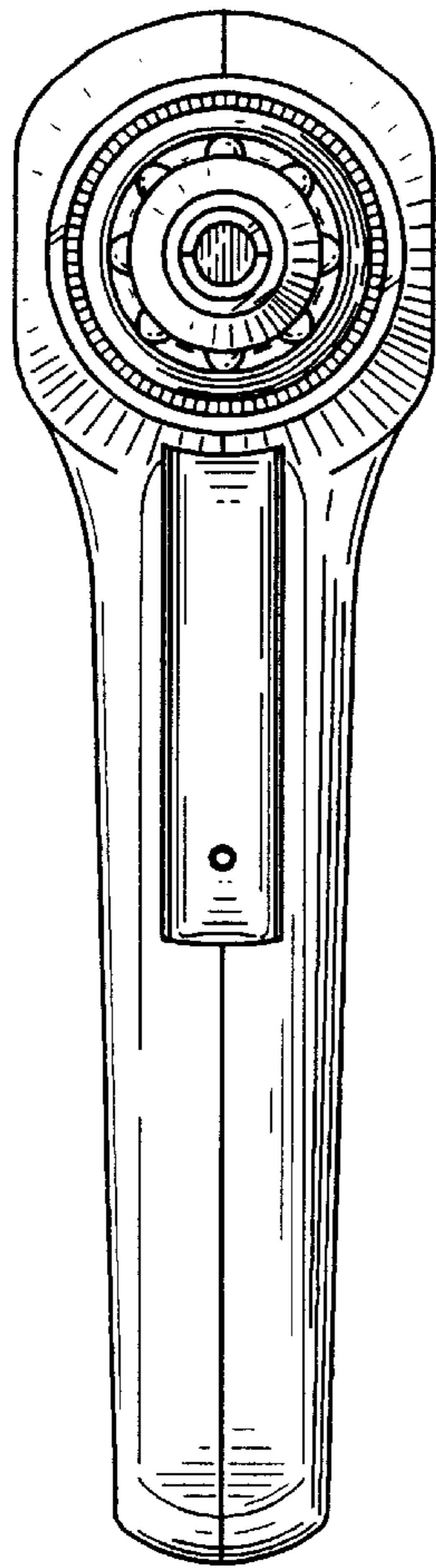


Fig. 4

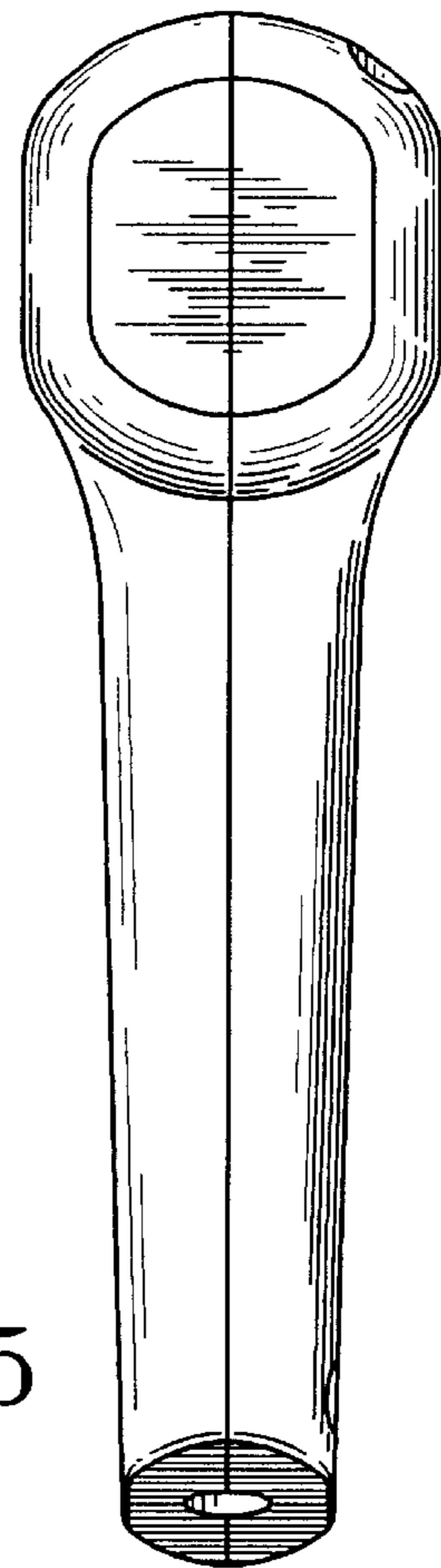


Fig. 5

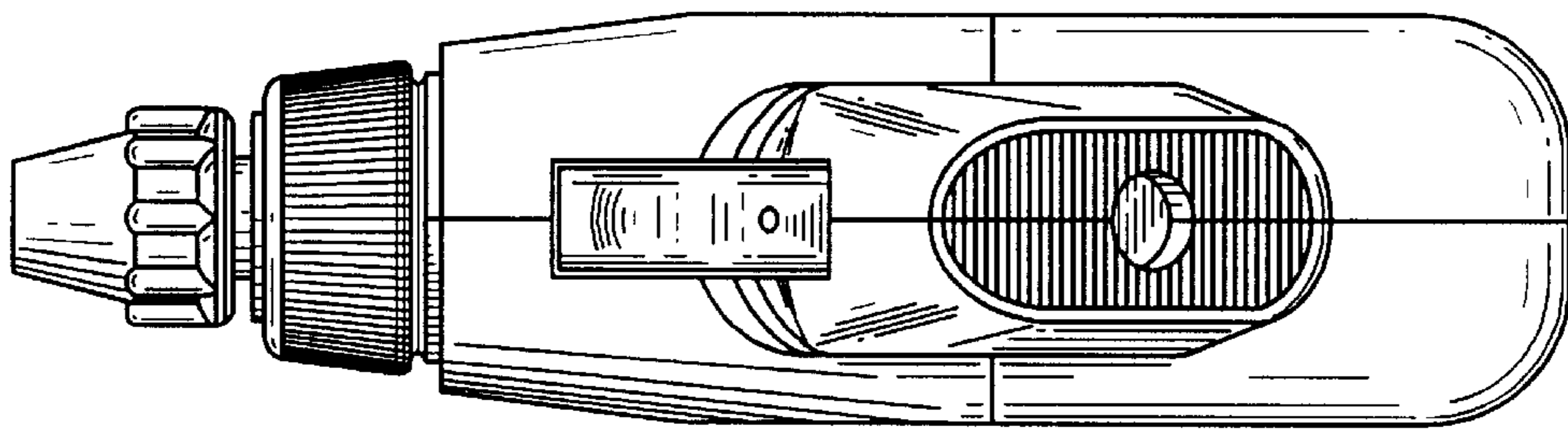


Fig. 6

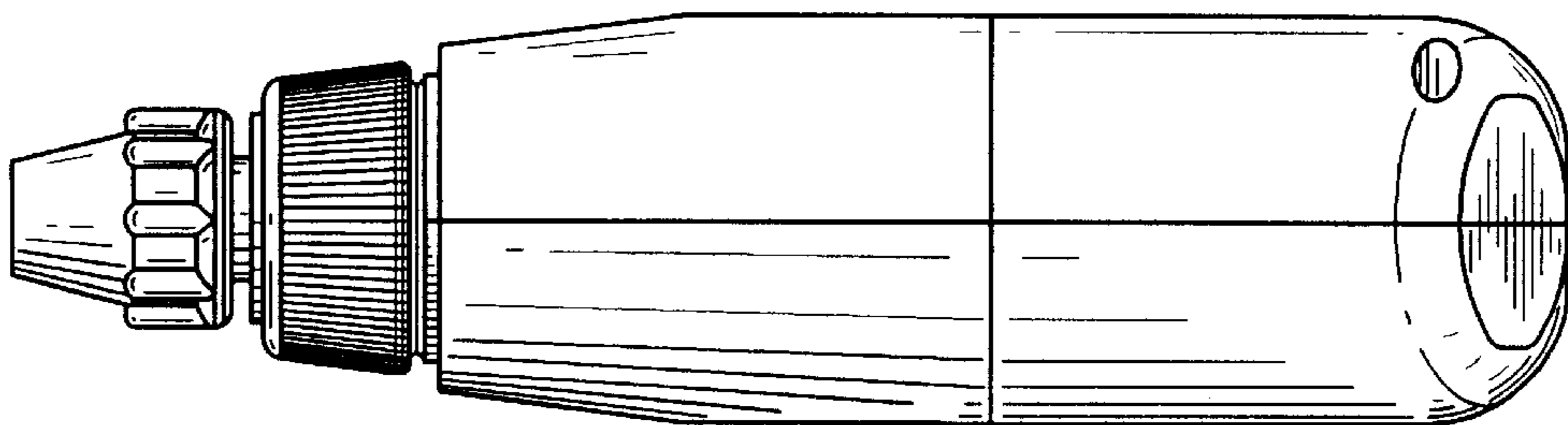


Fig. 7